



US00D918643S

(12) **United States Design Patent**
Cheng et al.

(10) **Patent No.:** **US D918,643 S**

(45) **Date of Patent:** **** *May 11, 2021**

(54) **COOKWARE VESSEL BODY**

(71) Applicant: **Meyer Intellectual Properties Limited**,
Kowloon (HK)

(72) Inventors: **Stanley Kin Sui Cheng**, Hillsborough,
CA (US); **Roberto Tarenga**, Milan (IT)

(73) Assignee: **MEYER INTELLECTUAL
PROPERTIES LIMITED**, Hong Kong
(CN)

(*) Notice: This patent is subject to a terminal dis-
claimer.

(**) Term: **15 Years**

(21) Appl. No.: **29/731,158**

(22) Filed: **Apr. 13, 2020**

Related U.S. Application Data

(62) Division of application No. 29/660,102, filed on Aug.
17, 2018.

(51) **LOC (13) Cl.** **07-02**

(52) **U.S. Cl.**

USPC **D7/354**

(58) **Field of Classification Search**

USPC D7/323, 354-363, 391, 393-396, 396.1,
D7/402, 409, 536, 543, 565, 584, 586,
D7/587, 629; D9/428, 500, 503;
D26/190

CPC A47G 19/12; A47J 27/00; A47J 27/002;
A47J 27/08; A47J 27/21; A47J 27/58;
A47J 36/025; A47J 36/02; A47J 36/06;
A47J 36/12; A47J 37/00; A47J 37/10;
A47J

(Continued)

(56) **References Cited**

U.S. PATENT DOCUMENTS

D132,280 S 5/1942 Miller
D328,997 S 9/1992 Gerlach

(Continued)

Primary Examiner — Ricky Pham

(74) *Attorney, Agent, or Firm* — Edward S. Sherman

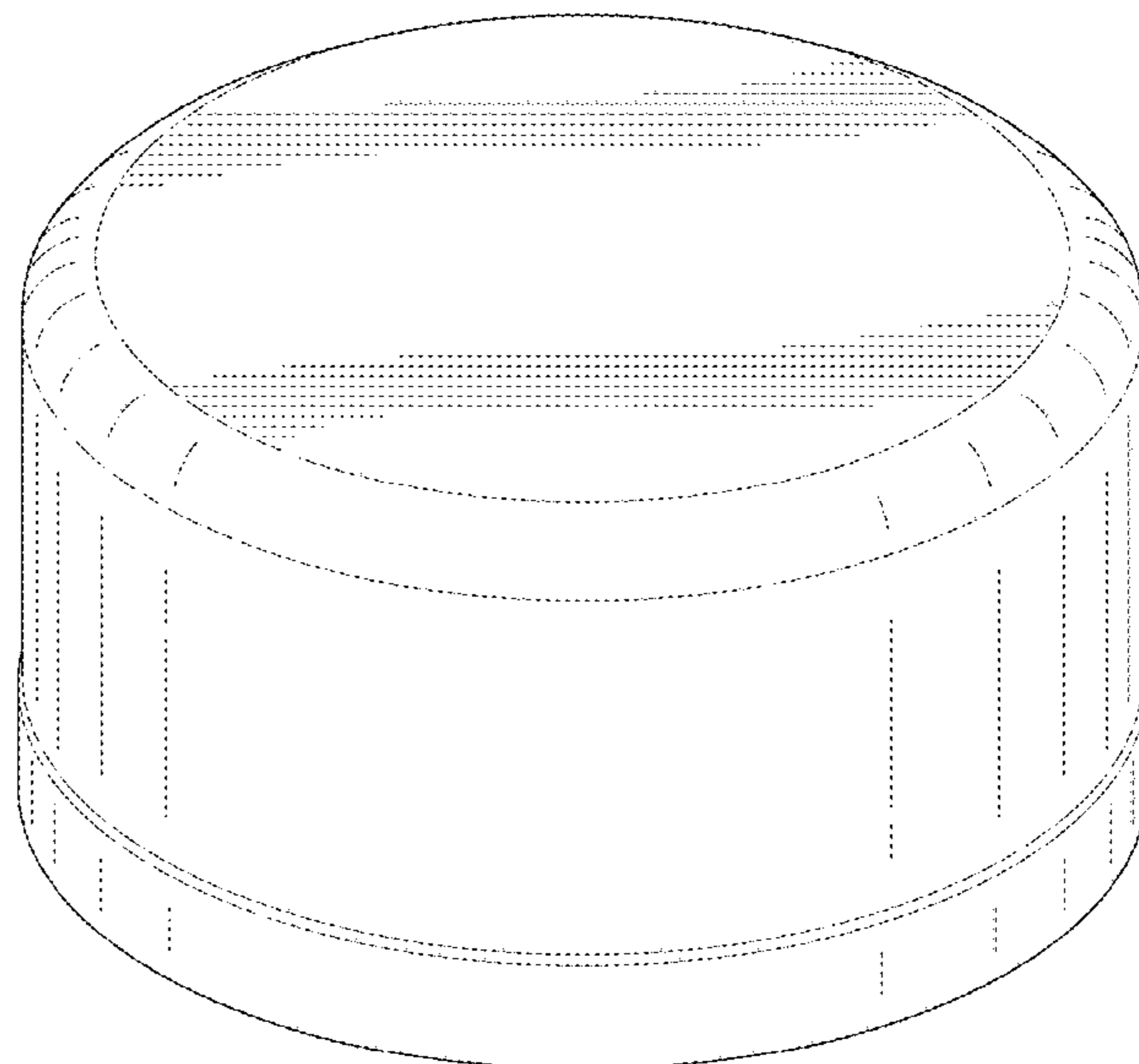
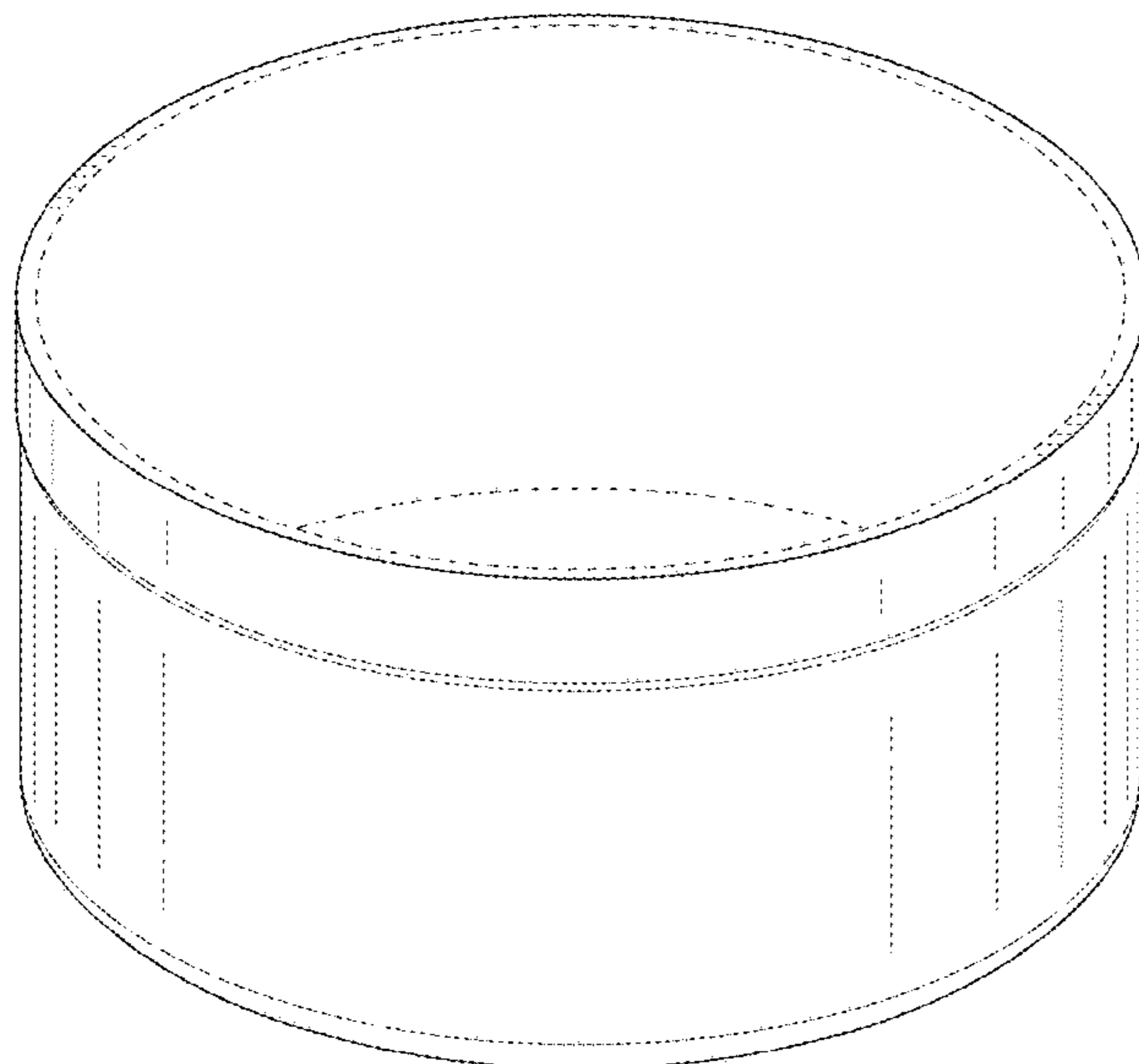
(57) **CLAIM**

The ornamental design for a cookware vessel body, as
shown and described.

DESCRIPTION

FIG. 1 is a top perspective view of the first embodiment of
the “cookware vessel body”, showing our new design;
FIG. 2 is a bottom perspective view thereof;
FIG. 3 is a side elevational view thereof;
FIG. 4 is a cross-section elevational view thereof taken at
section line 4-4 in FIG. 5;
FIG. 5 is a top plan view thereof;
FIG. 6 is a bottom plan view thereof;
FIG. 7 is a top perspective view of the second embodiment
of the “cookware vessel body”, showing our new design;
FIG. 8 is a bottom perspective view thereof;
FIG. 9 is a side elevational view thereof;
FIG. 10 is a cross-section elevational view thereof, taken at
section line 10-10 in FIG. 11;
FIG. 11 is a side is a top plan view thereof;
FIG. 12 is a bottom plan view thereof;
FIG. 13 is a top perspective view of the third embodiment
of the “cookware vessel body”, showing our new design;
FIG. 14 is a bottom perspective view thereof;
FIG. 15 is a side elevational view thereof;
FIG. 16 is a cross-section elevational view thereof, taken at
section line 16-16 in FIG. 17;
FIG. 17 is a top plan view thereof; and,
FIG. 18 is a bottom plan view thereof.
The broken lines in various FIGS are for illustrative pur-
poses only, depicting unclaimed portion of the cookware
vessel body.

1 Claim, 18 Drawing Sheets



(58) **Field of Classification Search**
 CPC 37/101; A47J 37/103; A47J 37/12; A47J
 37/1204; A47J 45/061; A47J 45/068;
 A47J 45/071; A47J 45/08; H05B 6/12
 See application file for complete search history.

(56) **References Cited**
 U.S. PATENT DOCUMENTS

D414,375 S 9/1999 Diulus
 6,267,830 B1 7/2001 Groll
 D449,204 S 10/2001 Groll
 D474,936 S 5/2003 Groll
 D509,106 S 9/2005 de Groote
 D517,865 S 3/2006 Rocha
 D552,925 S * 10/2007 Kloppsteck D7/361
 D588,861 S 3/2009 Cheng
 D599,609 S 9/2009 Ruffoni
 D606,405 S 9/2009 Takata
 D625,149 S 10/2010 Stamper
 D629,246 S 12/2010 Ruffoni
 D639,602 S 6/2011 Bodum
 D641,585 S 7/2011 Cheng
 D649,054 S 11/2011 Sharma
 D652,670 S 1/2012 Rae

D657,249 S * 4/2012 Bakic D9/503
 D665,627 S 8/2012 De Winter
 D666,461 S * 9/2012 Siegel D7/629
 D677,124 S * 3/2013 Montgomery D7/360
 8,425,752 B2 4/2013 Cheng
 D699,067 S 2/2014 Cheng
 D709,317 S 8/2014 Cheng
 D710,686 S 8/2014 Gowens
 D715,092 S 10/2014 Thun
 D738,159 S 9/2015 Cheng
 D750,420 S 6/2016 Hu
 D764,857 S 8/2016 McConnell
 D789,152 S * 6/2017 Wall D7/538
 D804,891 S * 12/2017 Mirchandani D7/360
 D813,607 S * 3/2018 Nally D7/536
 D820,027 S 6/2018 Weernink
 D822,424 S * 7/2018 Ma D7/356
 D822,433 S * 7/2018 Ma D7/402
 D822,434 S * 7/2018 Ma D7/402
 D834,876 S * 12/2018 Ma D7/361
 D871,159 S 12/2019 Ellison
 D871,619 S * 12/2019 Wrobel D26/9
 D876,875 S 3/2020 Wang
 D876,876 S 3/2020 Wang
 2003/0169801 A1 * 9/2003 Chilton A47J 45/068
 374/142

* cited by examiner

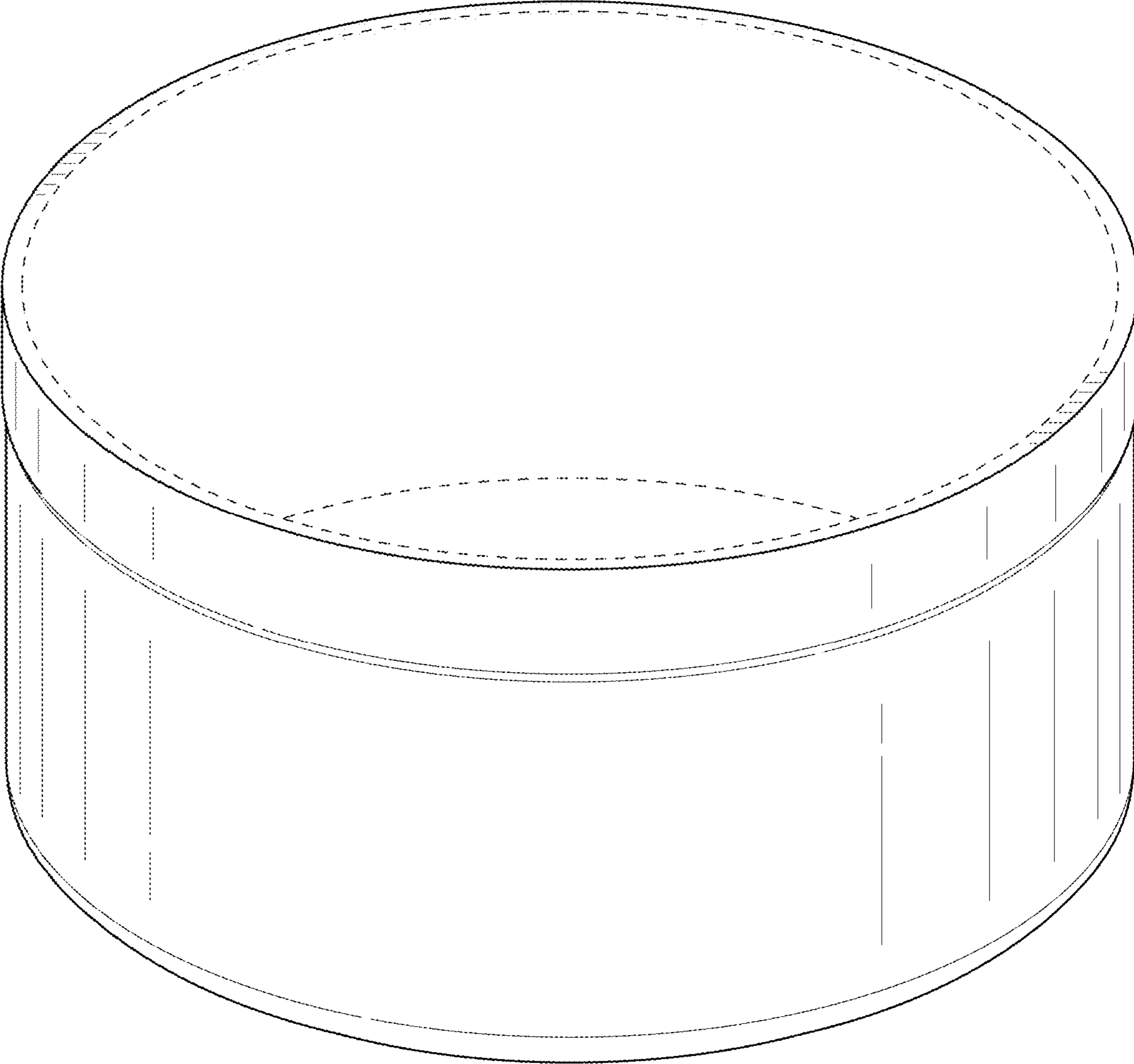


FIG. 1

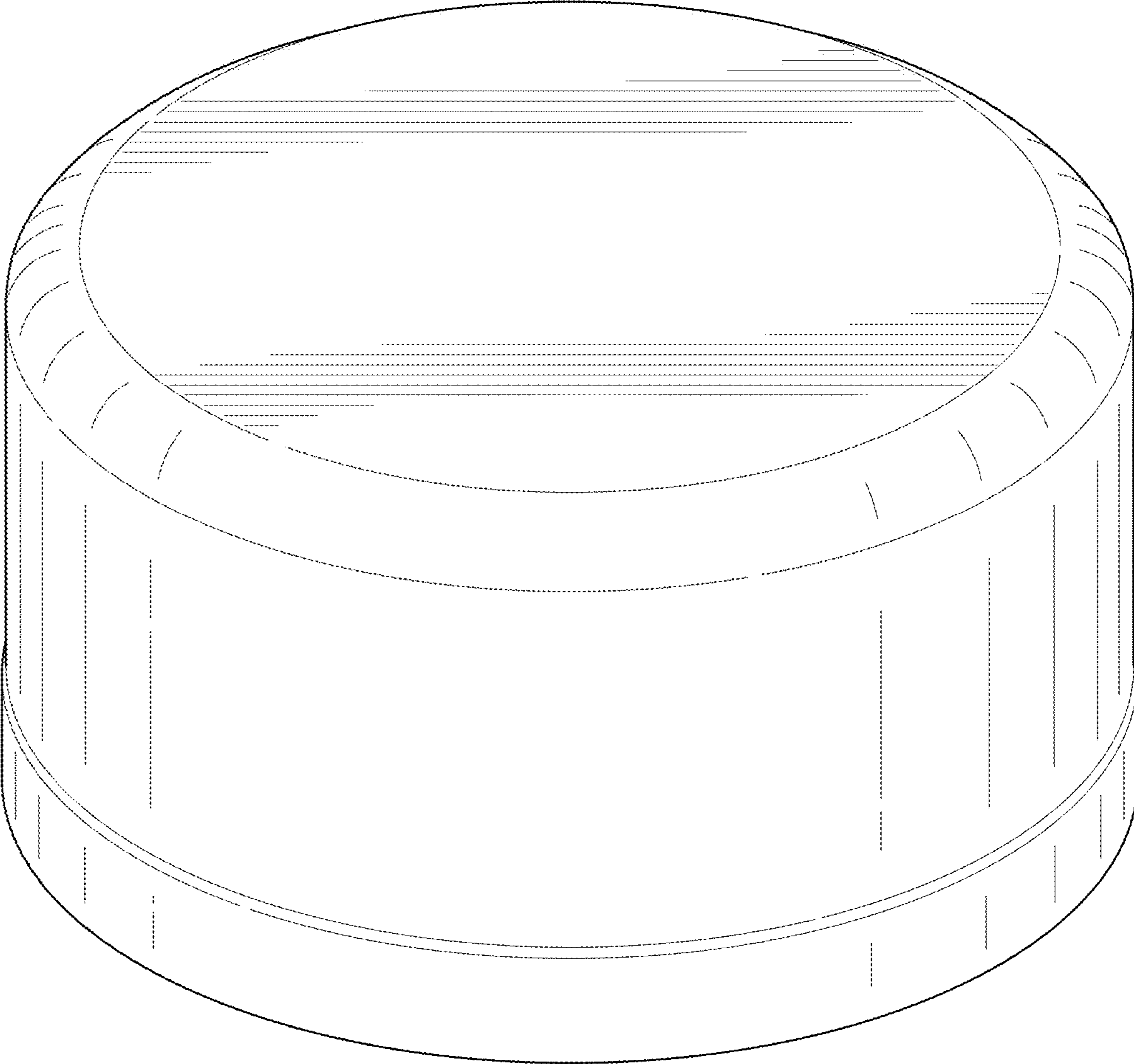


FIG. 2

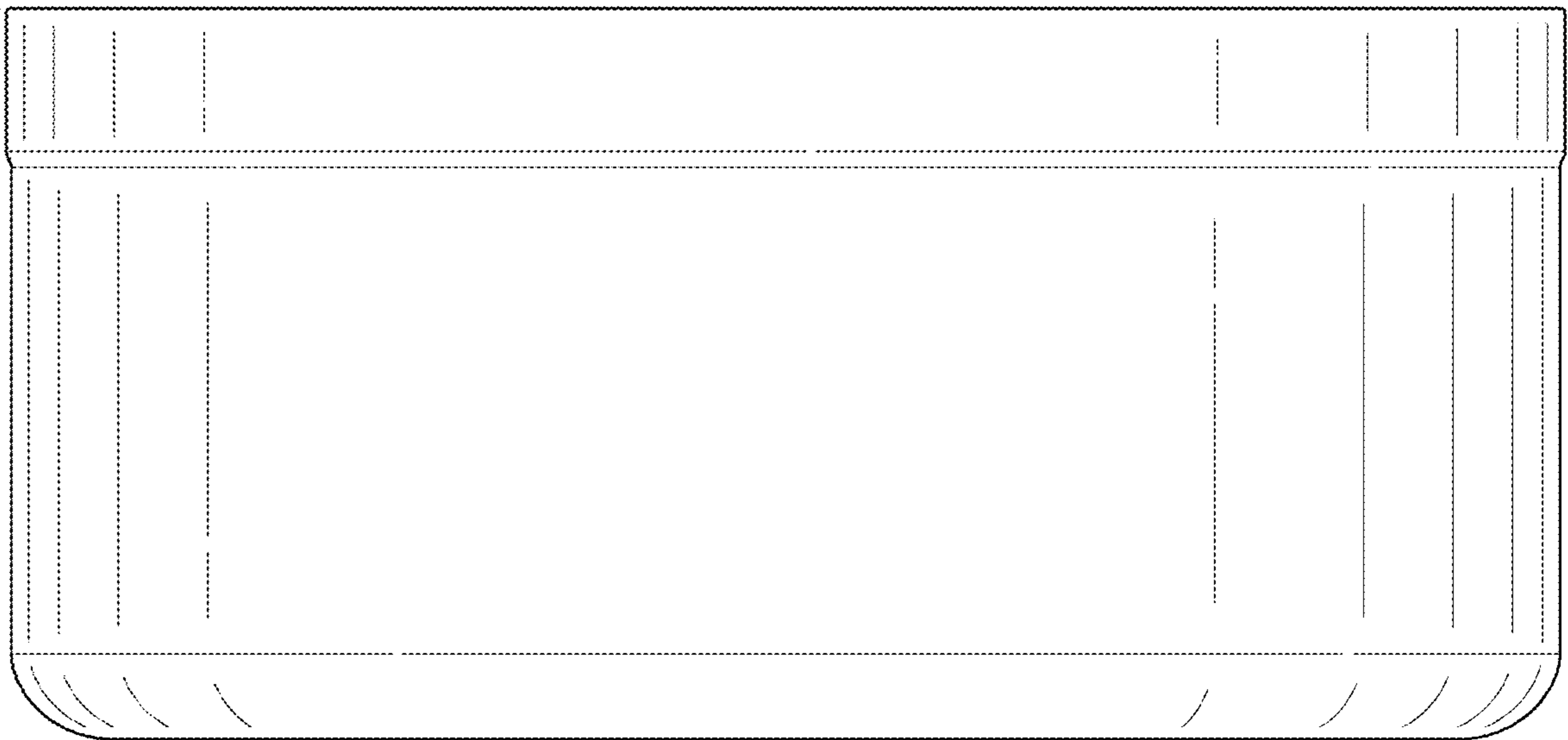


FIG. 3

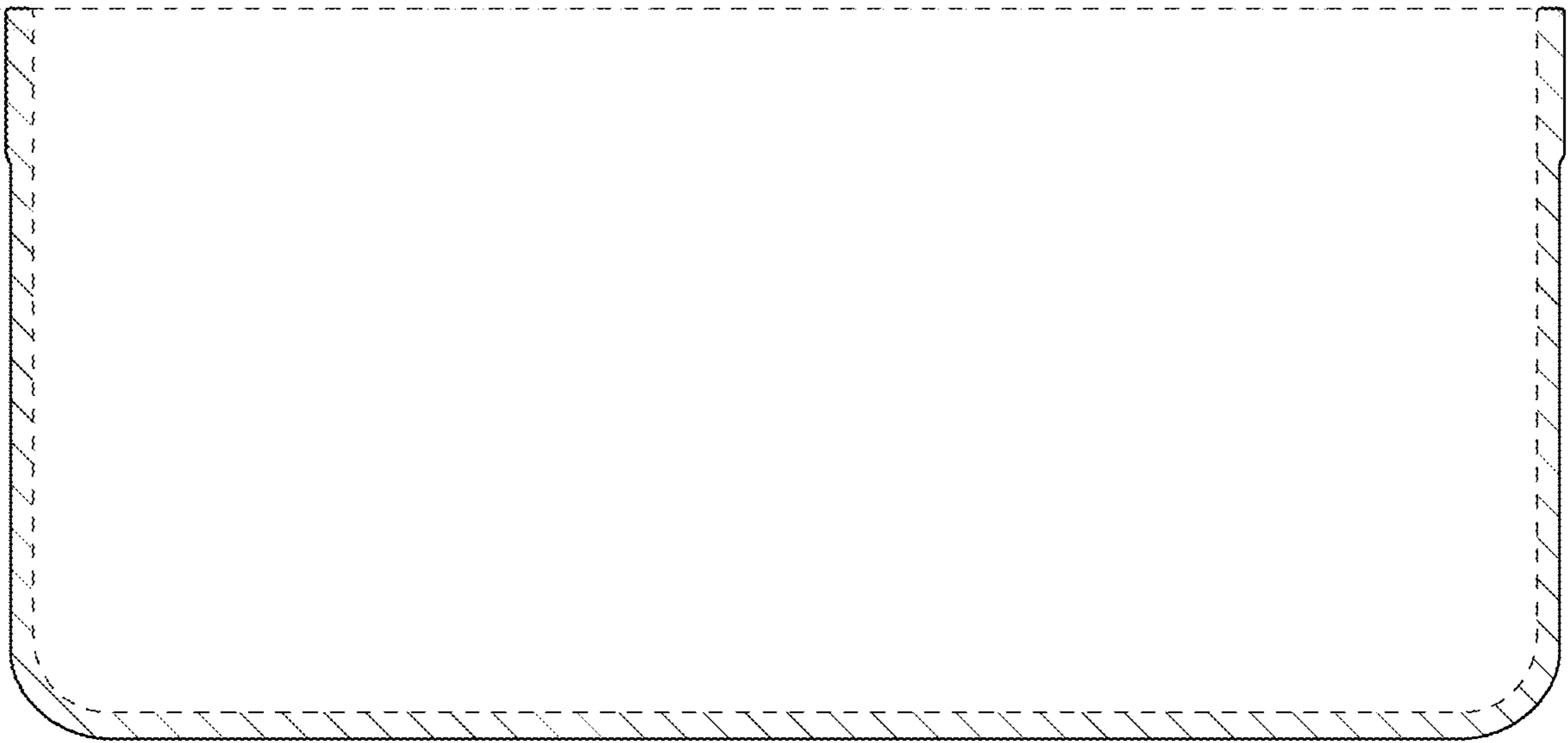


FIG. 4

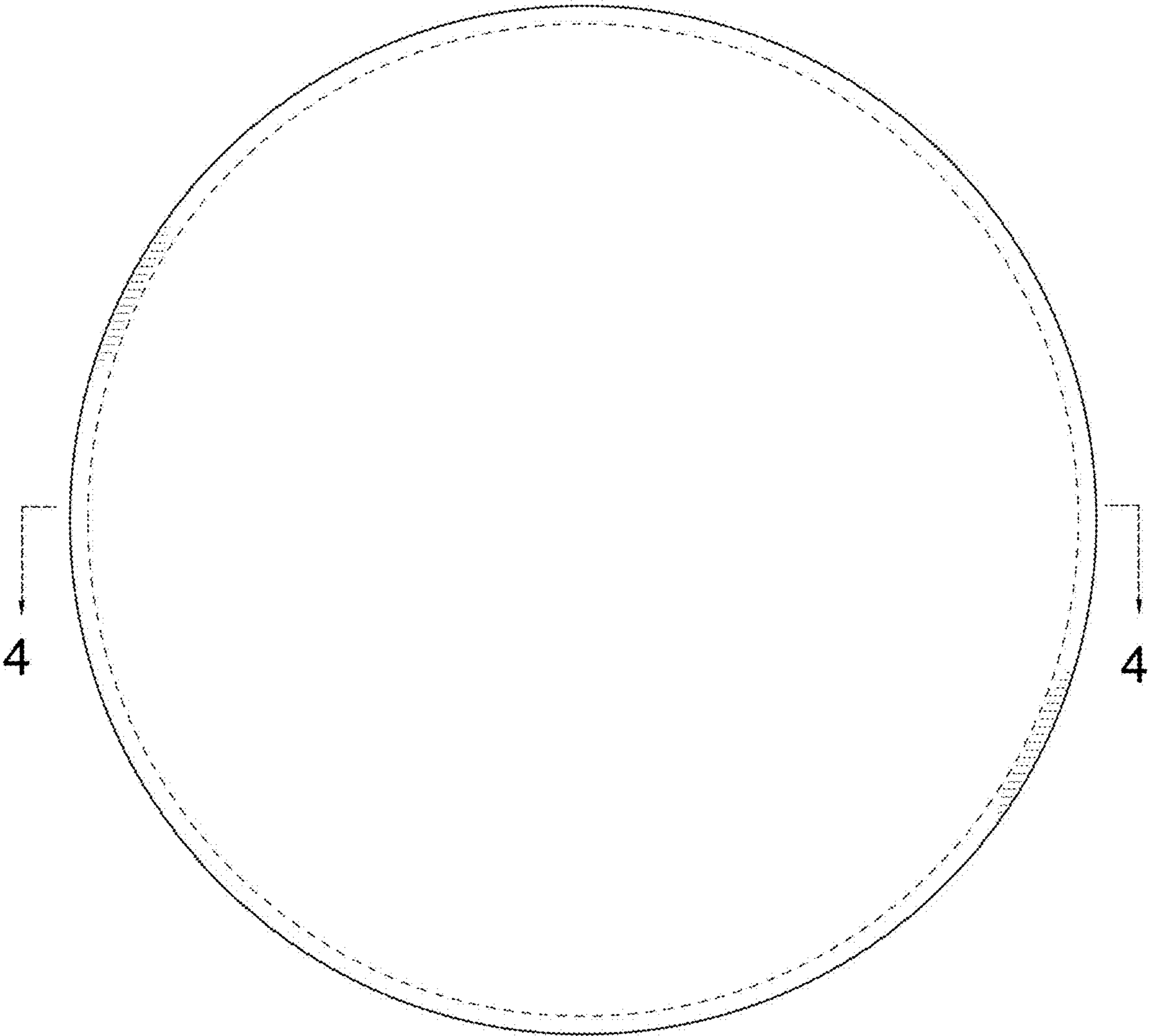


FIG. 5

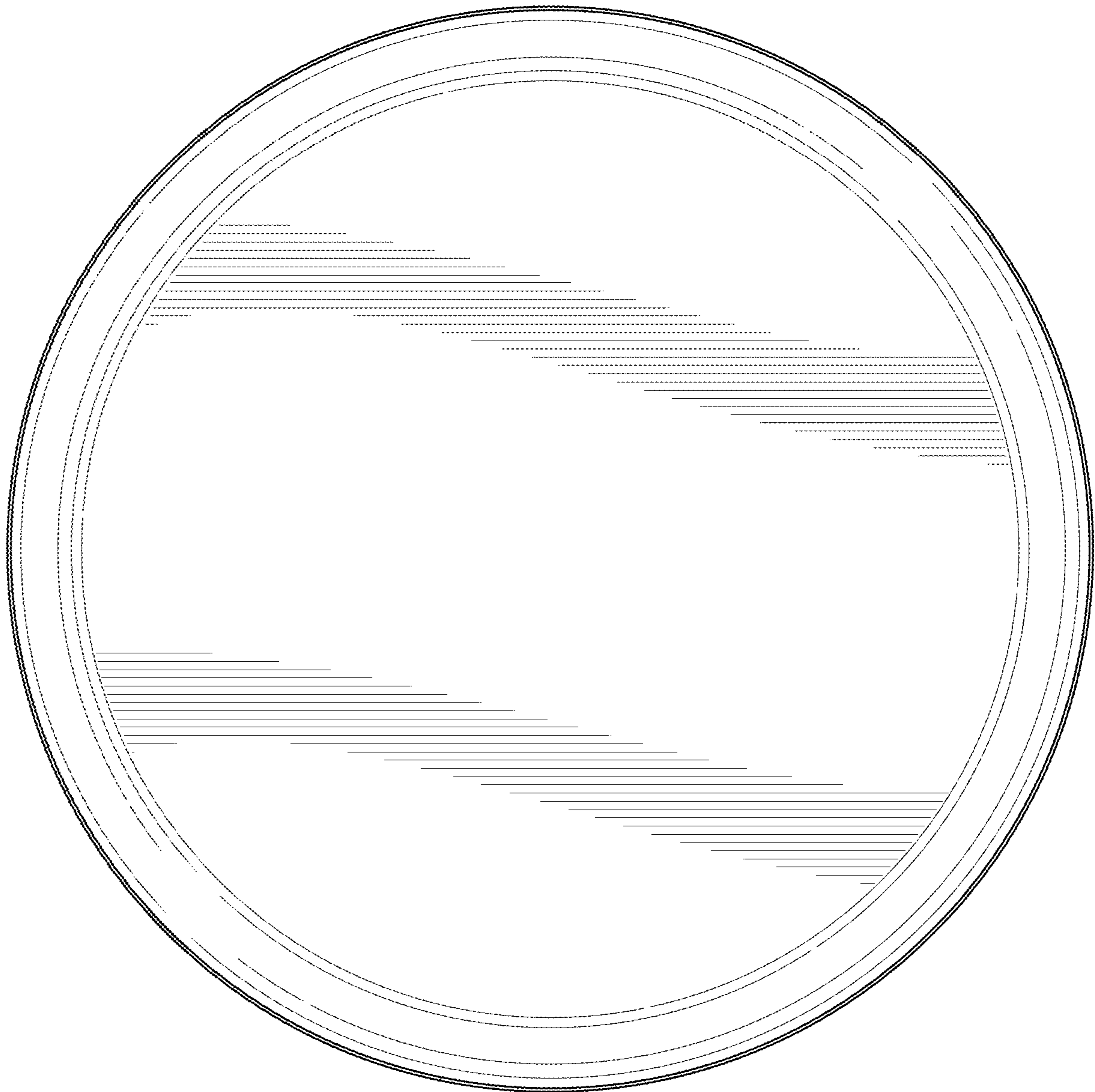


FIG. 6

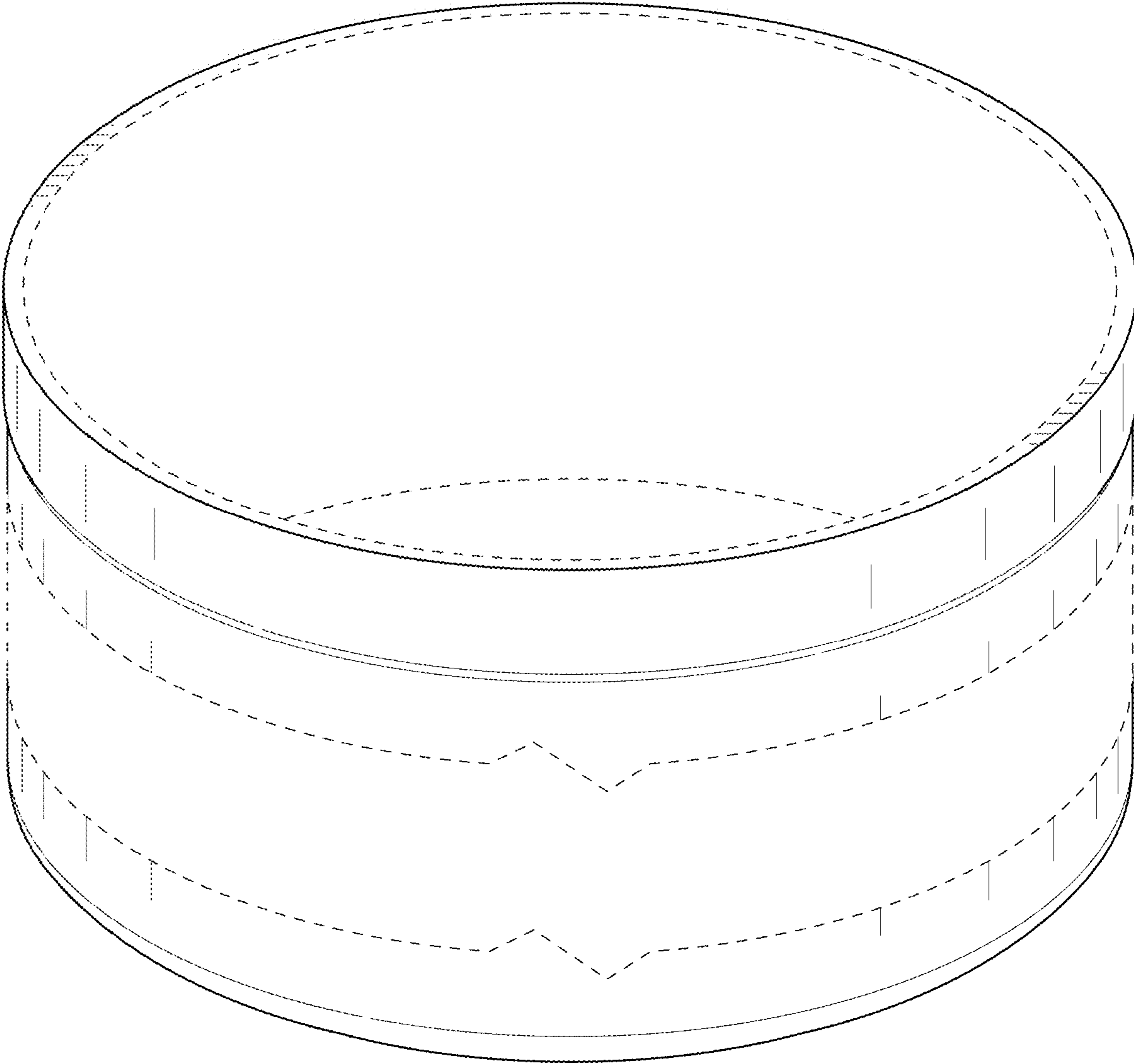


FIG. 7

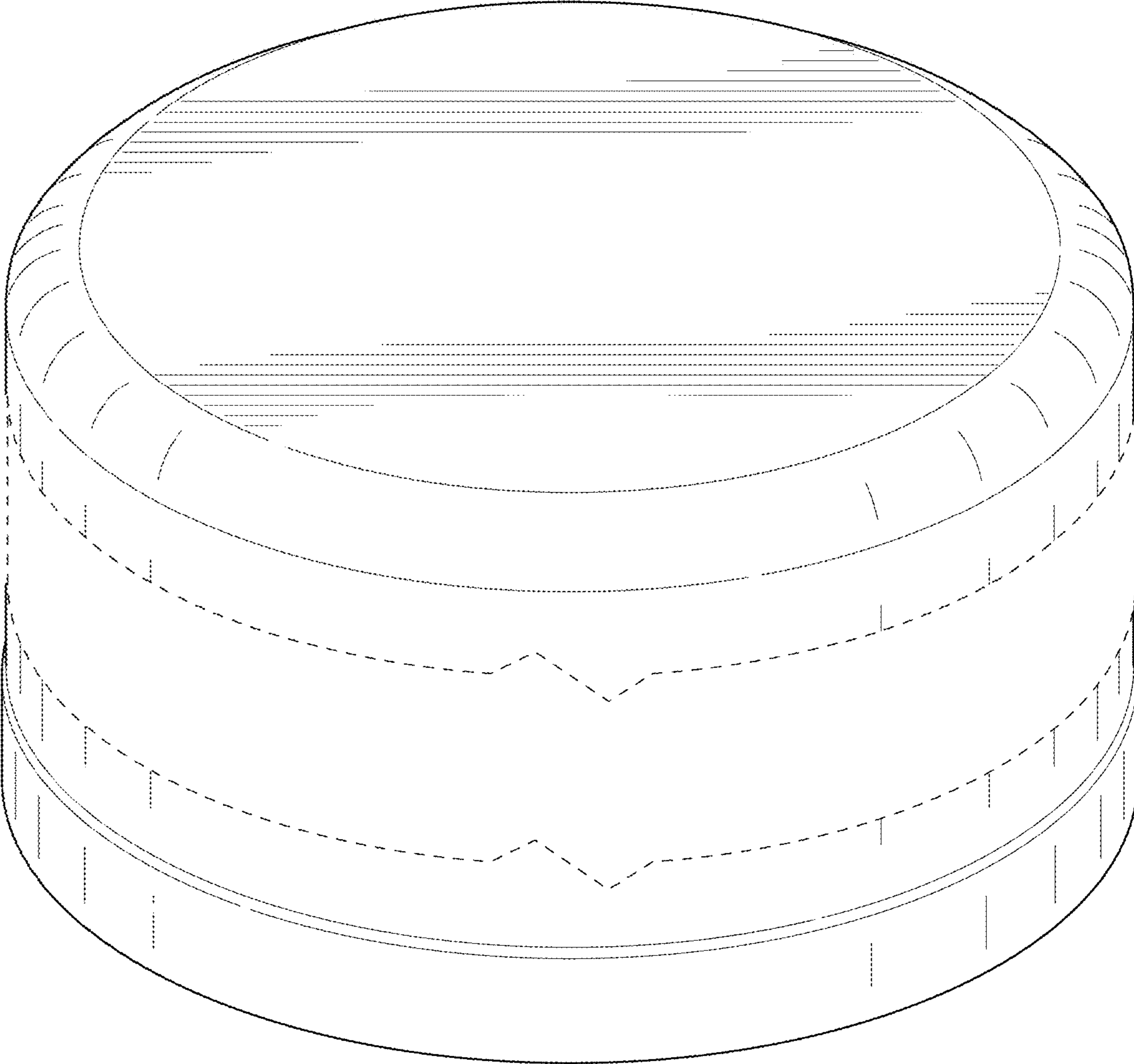


FIG. 8

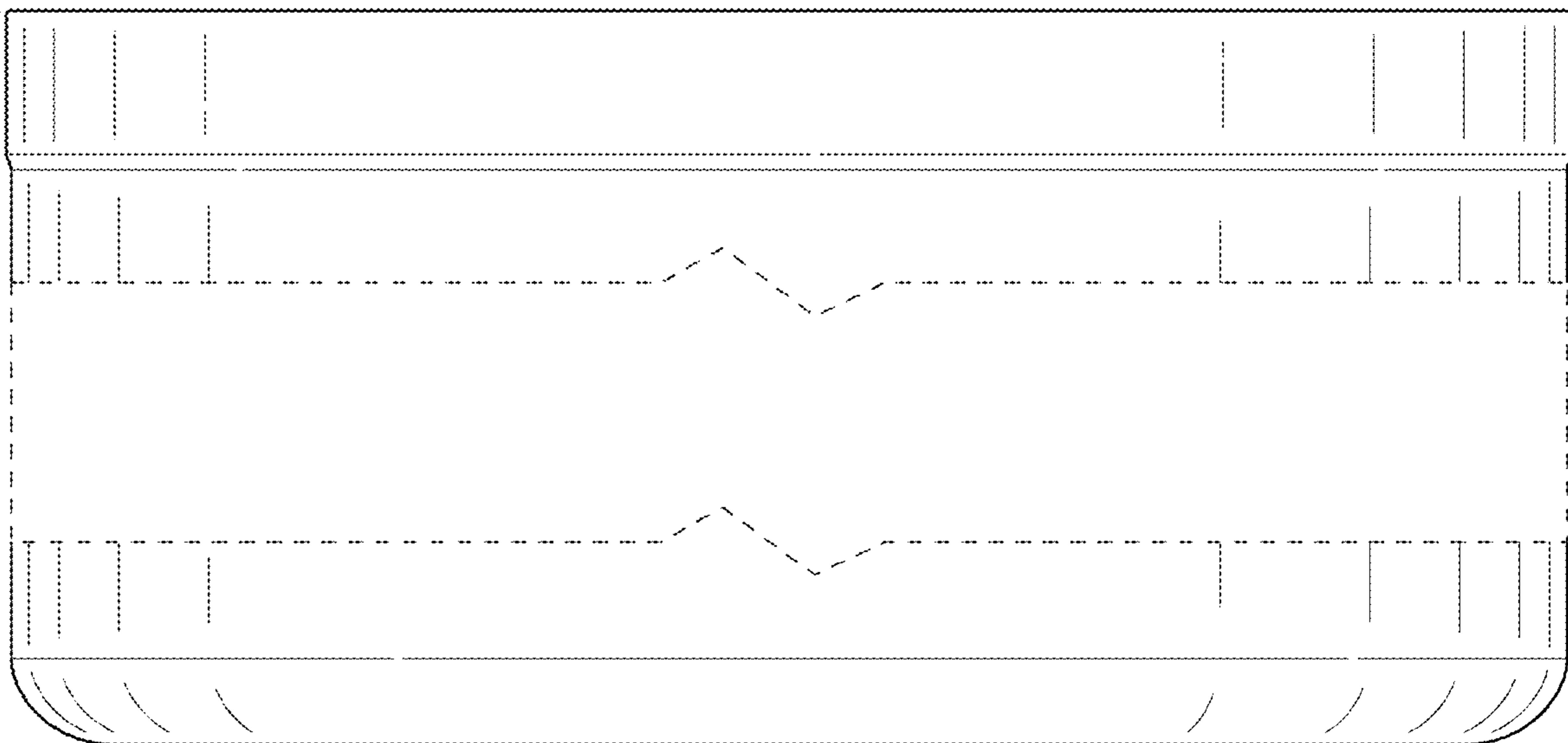


FIG. 9



FIG. 10

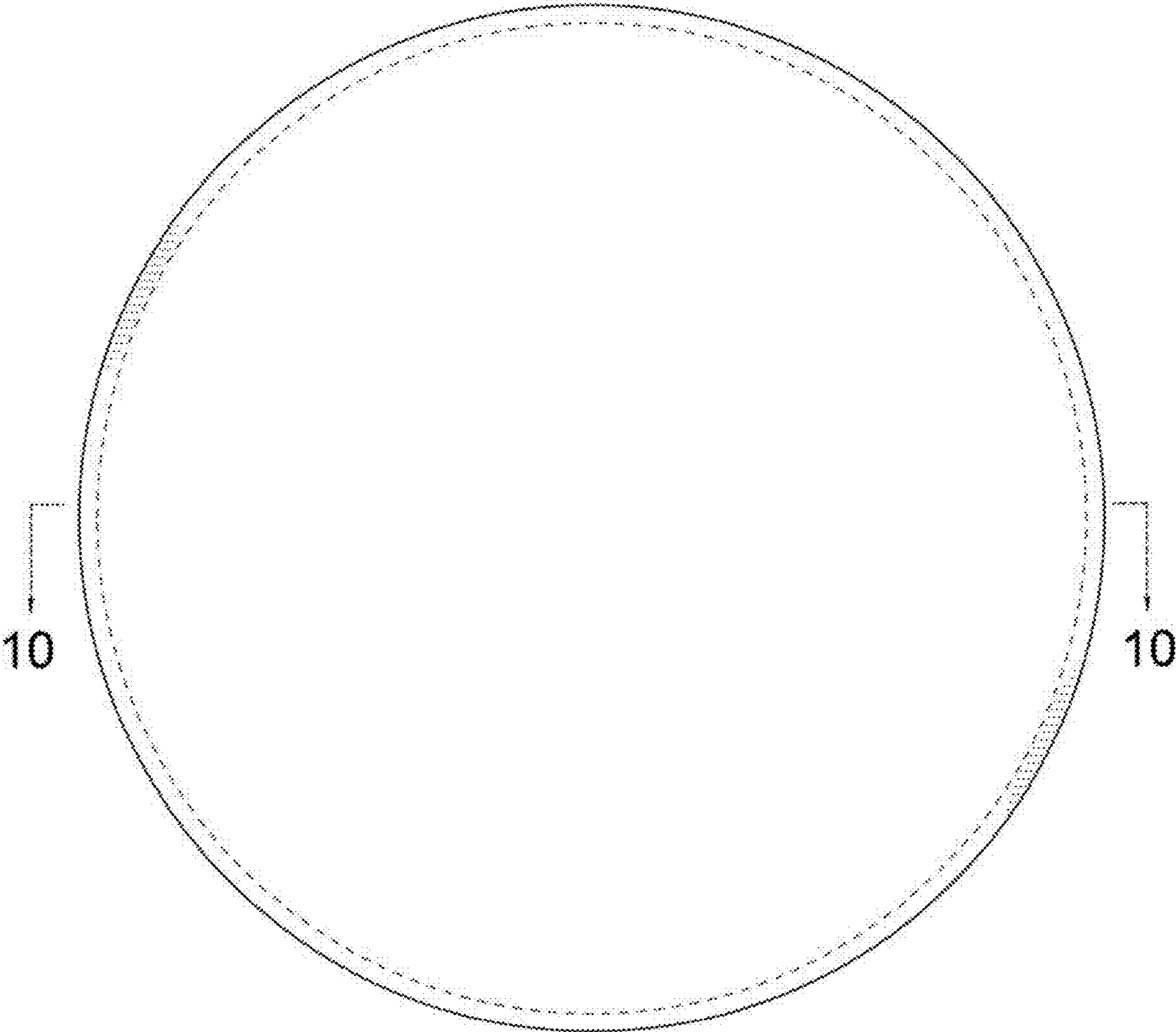


FIG. 11

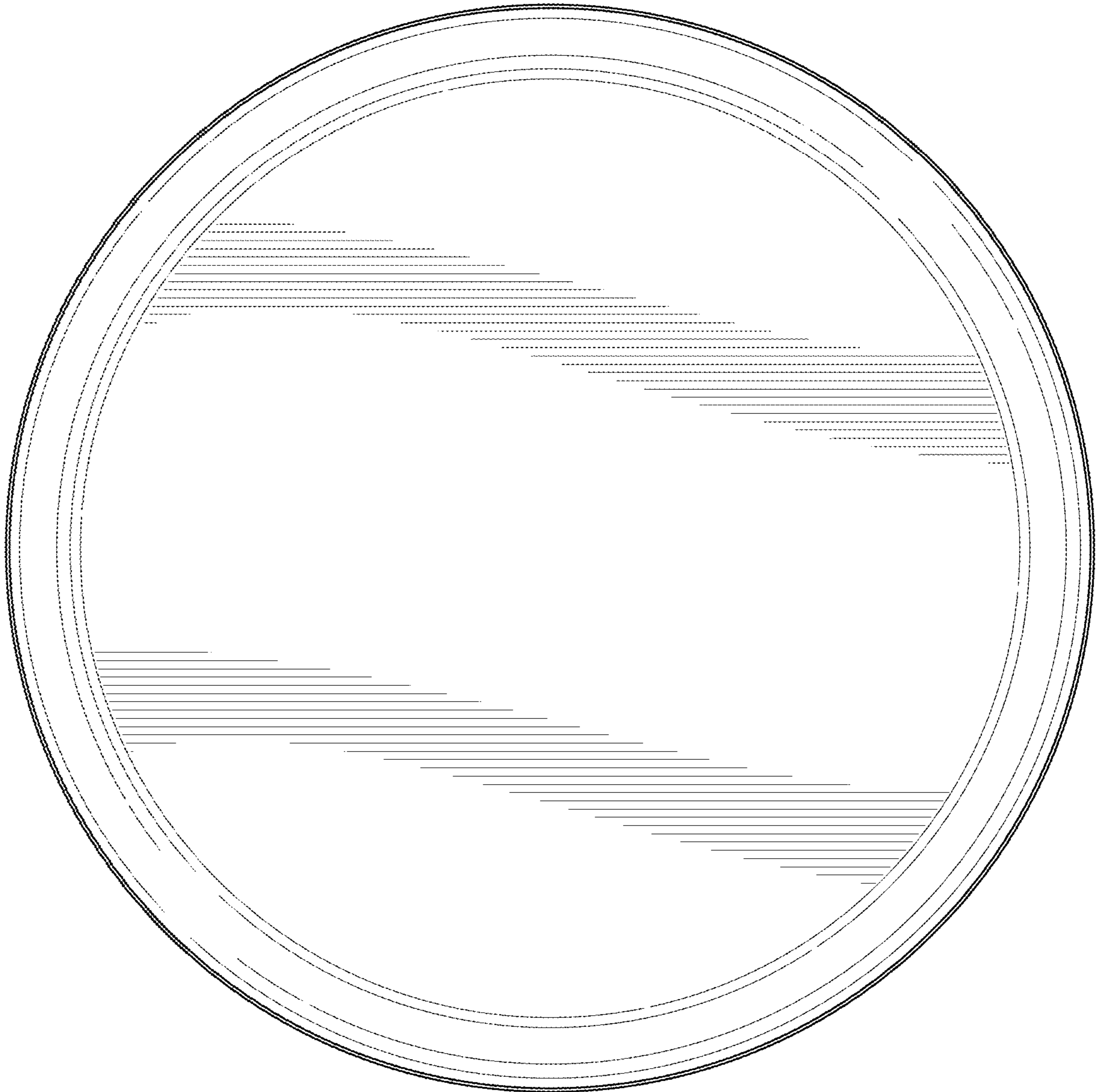


FIG. 12

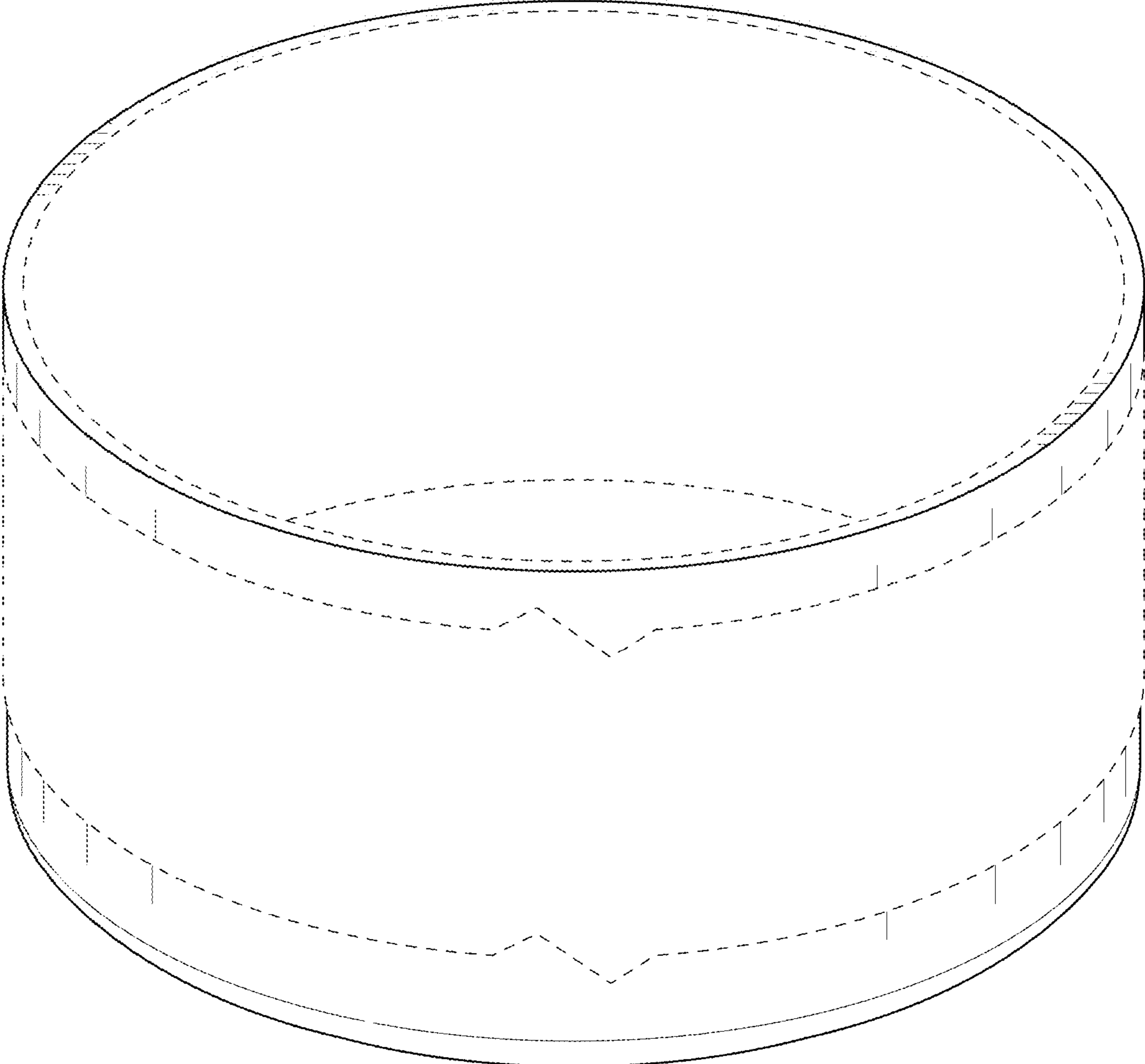


FIG. 13

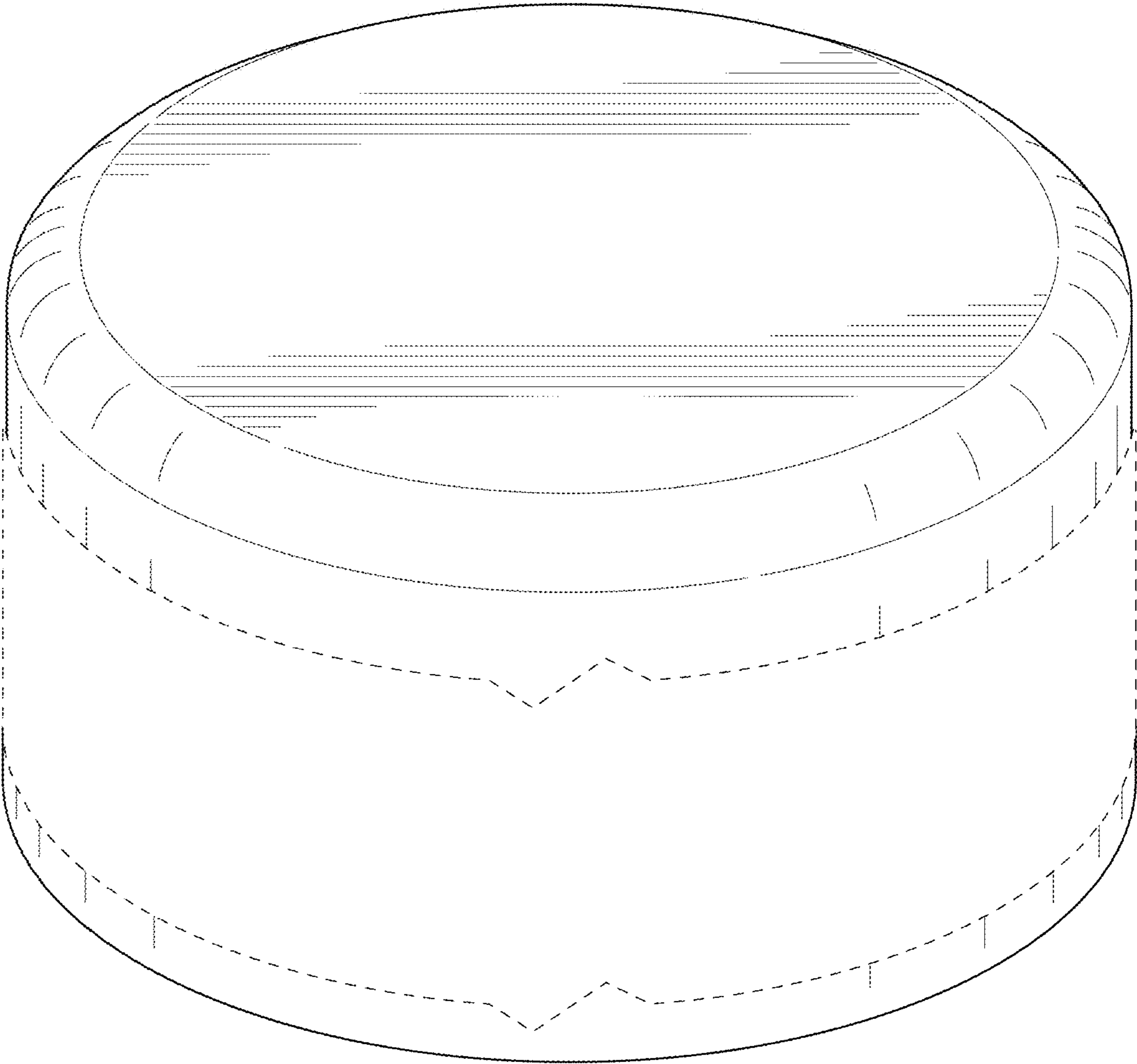


FIG. 14

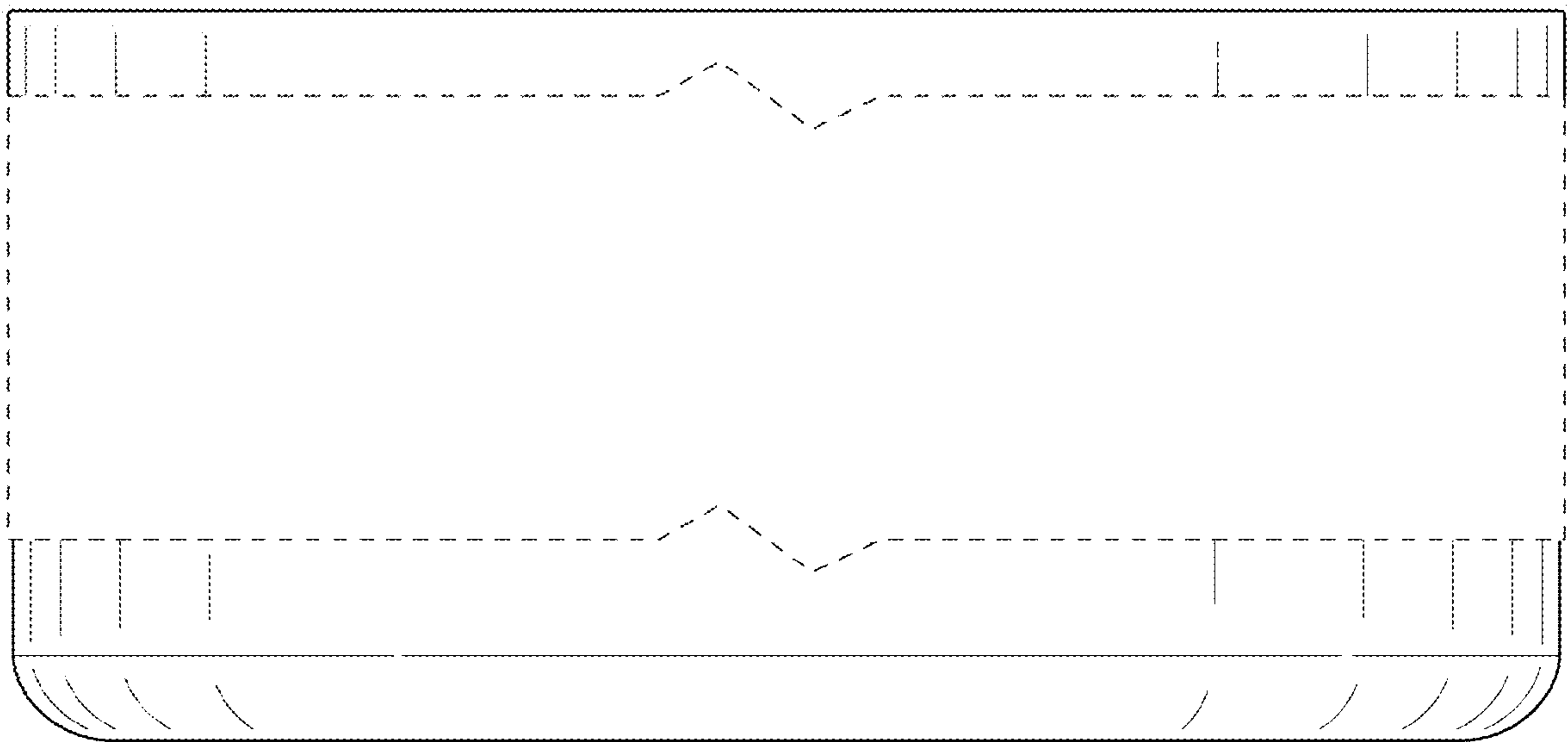


FIG. 15

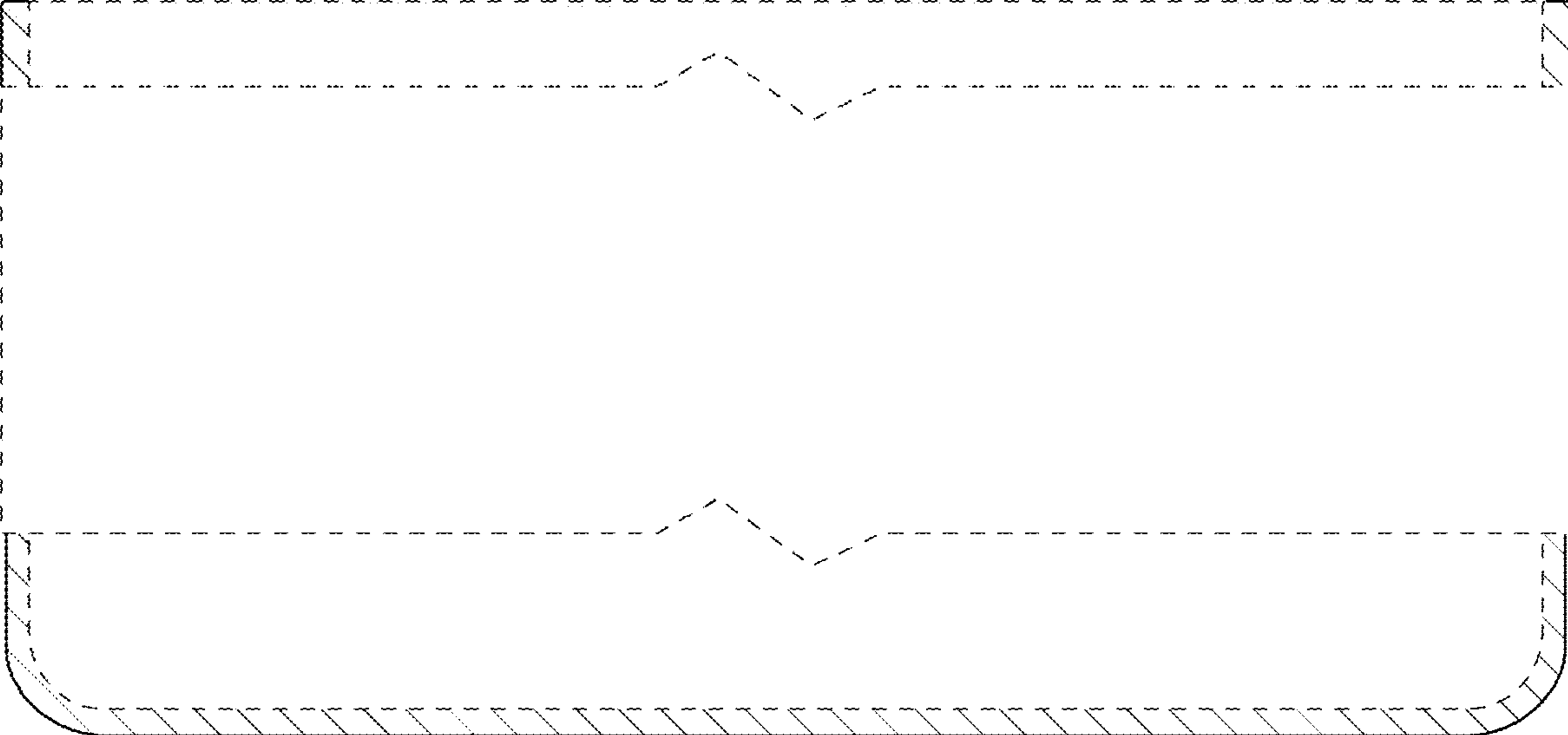


FIG. 16

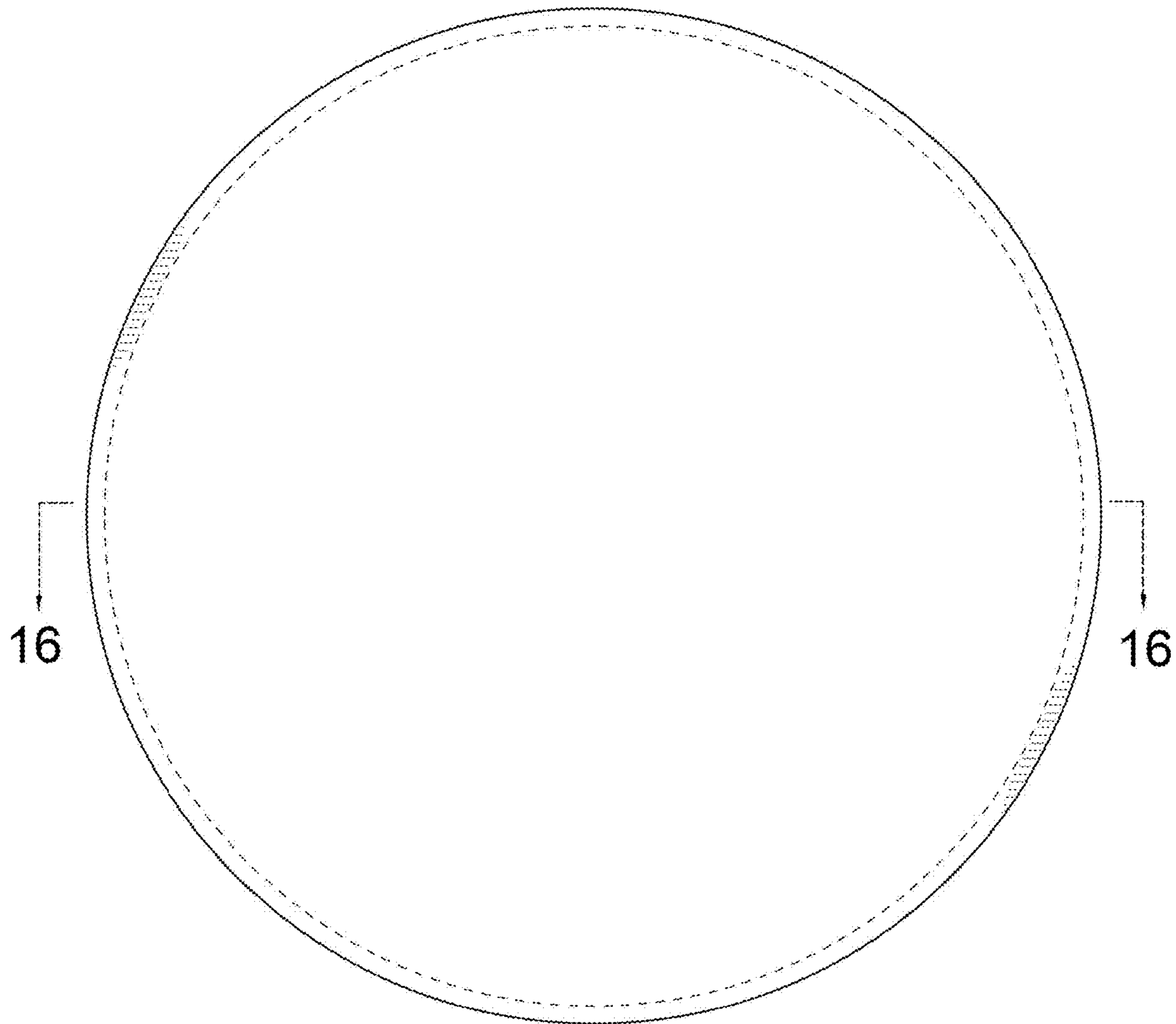


FIG. 17

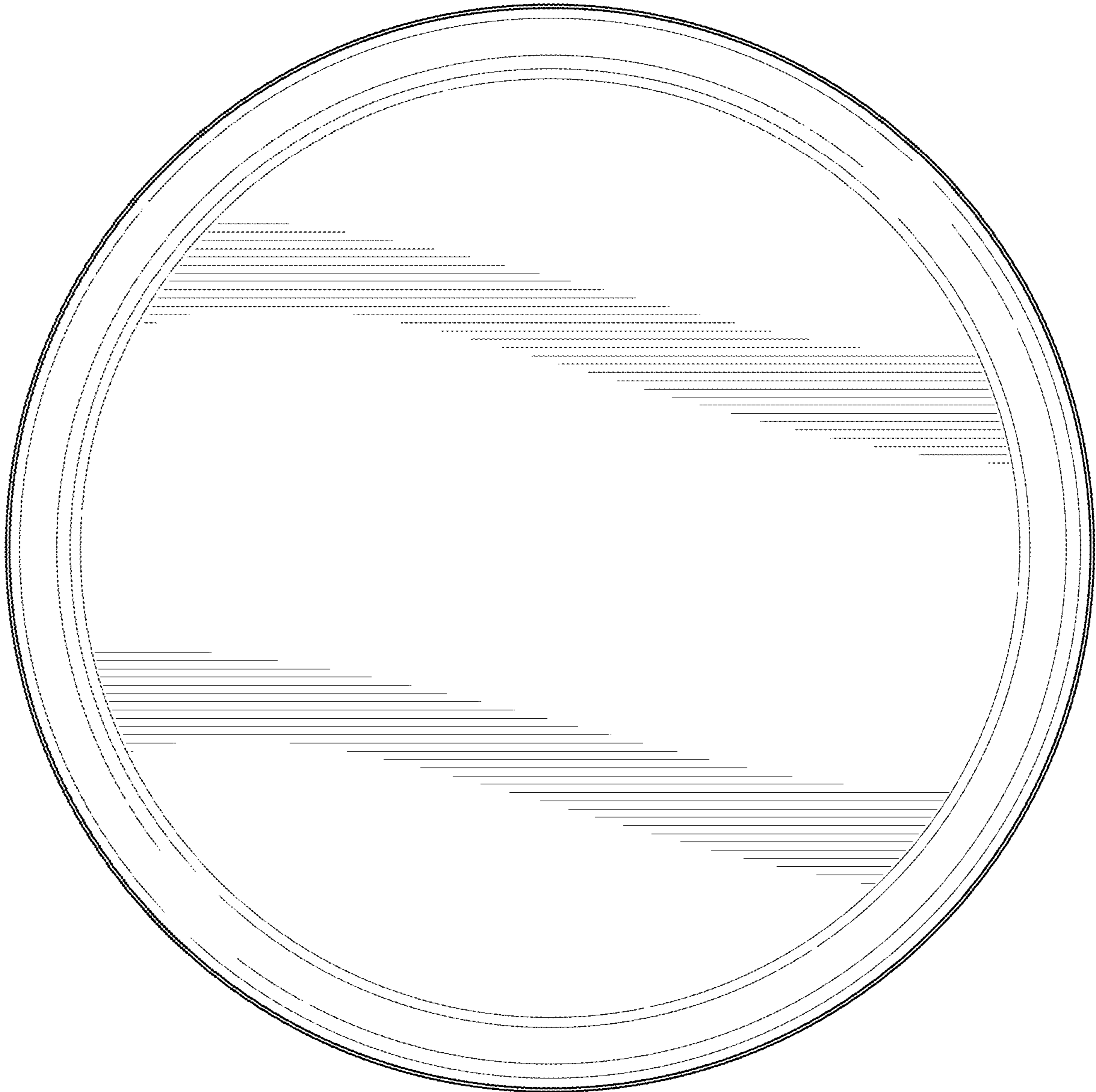


FIG. 18