



US00D918642S

(12) **United States Design Patent** (10) **Patent No.:** **US D918,642 S**
Ryu et al. (45) **Date of Patent:** **** May 11, 2021**

(54) **OVEN RANGE**

(56) **References Cited**

(71) Applicant: **LG ELECTRONICS INC.**, Seoul (KR)

U.S. PATENT DOCUMENTS

(72) Inventors: **Inhwan Ryu**, Seoul (KR); **Hongsik Kwon**, Seoul (KR); **Sooyeon Kim**, Seoul (KR); **Suhyeon Son**, Seoul (KR); **Songyi Han**, Seoul (KR)

D750,413	S	*	3/2016	Funnell, II	D7/348
D755,008	S	*	5/2016	Kim	D7/406
D790,916	S	*	7/2017	Kim	D7/406
D793,149	S	*	8/2017	Lee	D7/340
D805,832	S	*	12/2017	Kim	D7/340
D816,386	S	*	5/2018	Kim	D7/340
D859,054	S	*	9/2019	Kim	D7/340
D874,220	S	*	2/2020	Kim	D7/406
D889,185	S	*	7/2020	Kim	D7/340
2010/0006085	A1	*	1/2010	Thomas	F24C 15/325 126/21 A
2015/0285514	A1	*	10/2015	Wie	F24B 1/02 126/21 A

(73) Assignee: **LG Electronics Inc.**, Seoul (KR)

(**) Term: **15 Years**

(21) Appl. No.: **35/509,213**

(22) Filed: **Oct. 23, 2019**

(80) **Hague Agreement Data**

Int. Filing Date: **Oct. 23, 2019**

Int. Reg. No.: **DM/204895**

Int. Reg. Date: **Oct. 23, 2019**

Int. Reg. Pub. Date: **Apr. 24, 2020**

(30) **Foreign Application Priority Data**

Apr. 25, 2019 (KR) 30-2019-0019702

(51) **LOC (13) Cl.** **07-02**

(52) **U.S. Cl.**
USPC **D7/340**

(58) **Field of Classification Search**
USPC ... D7/339, 340, 341, 348, 350.1-350.4, 351, D7/402
CPC F24C 15/024; F24C 15/162; F24C 15/022; F24C 15/00

See application file for complete search history.

* cited by examiner

Primary Examiner — Michael A. Pratt

(74) *Attorney, Agent, or Firm* — Birch, Stewart, Kolasch & Birch, LLP

(57) **CLAIM**

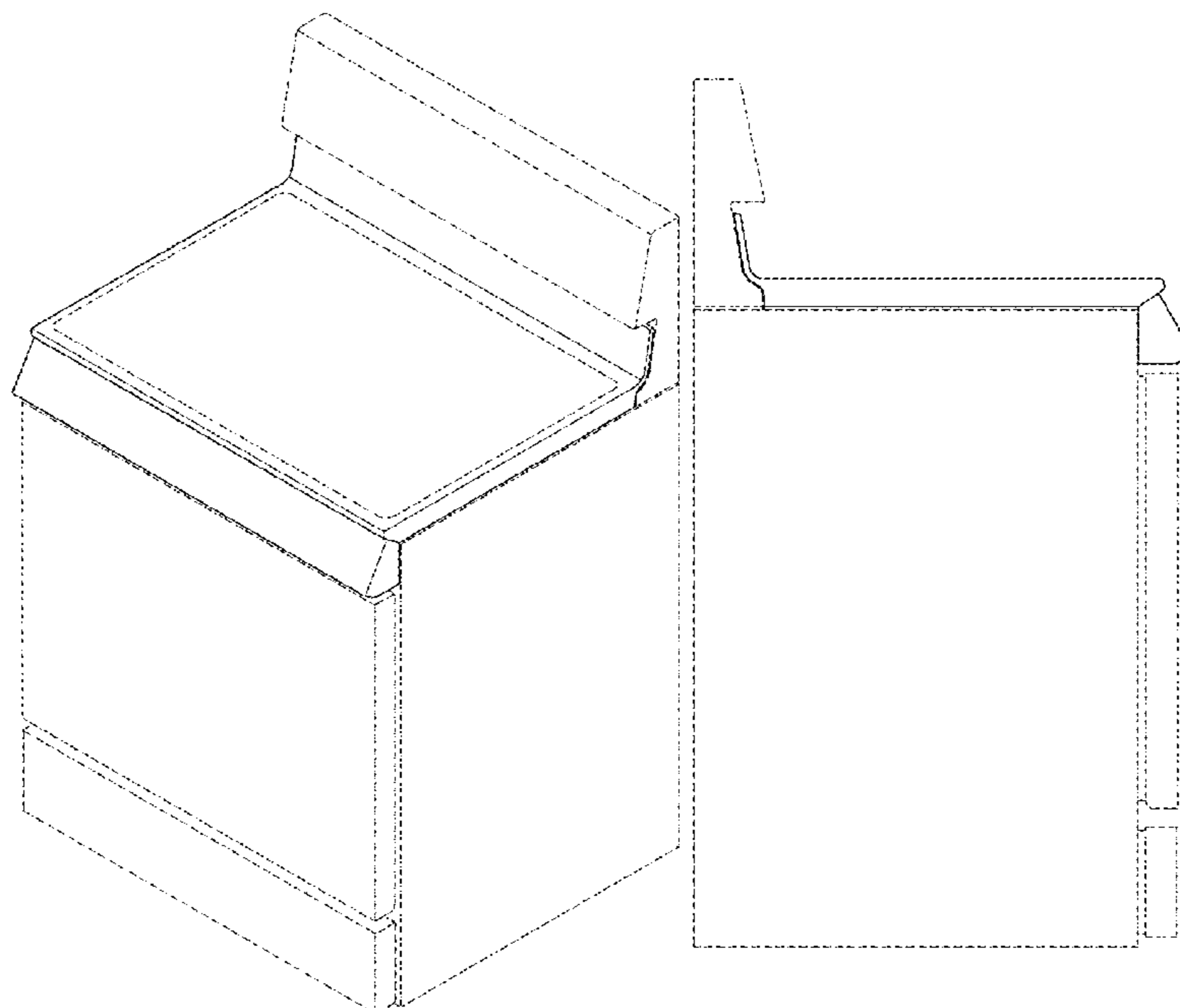
The ornamental design for an oven range, as shown and described.

DESCRIPTION

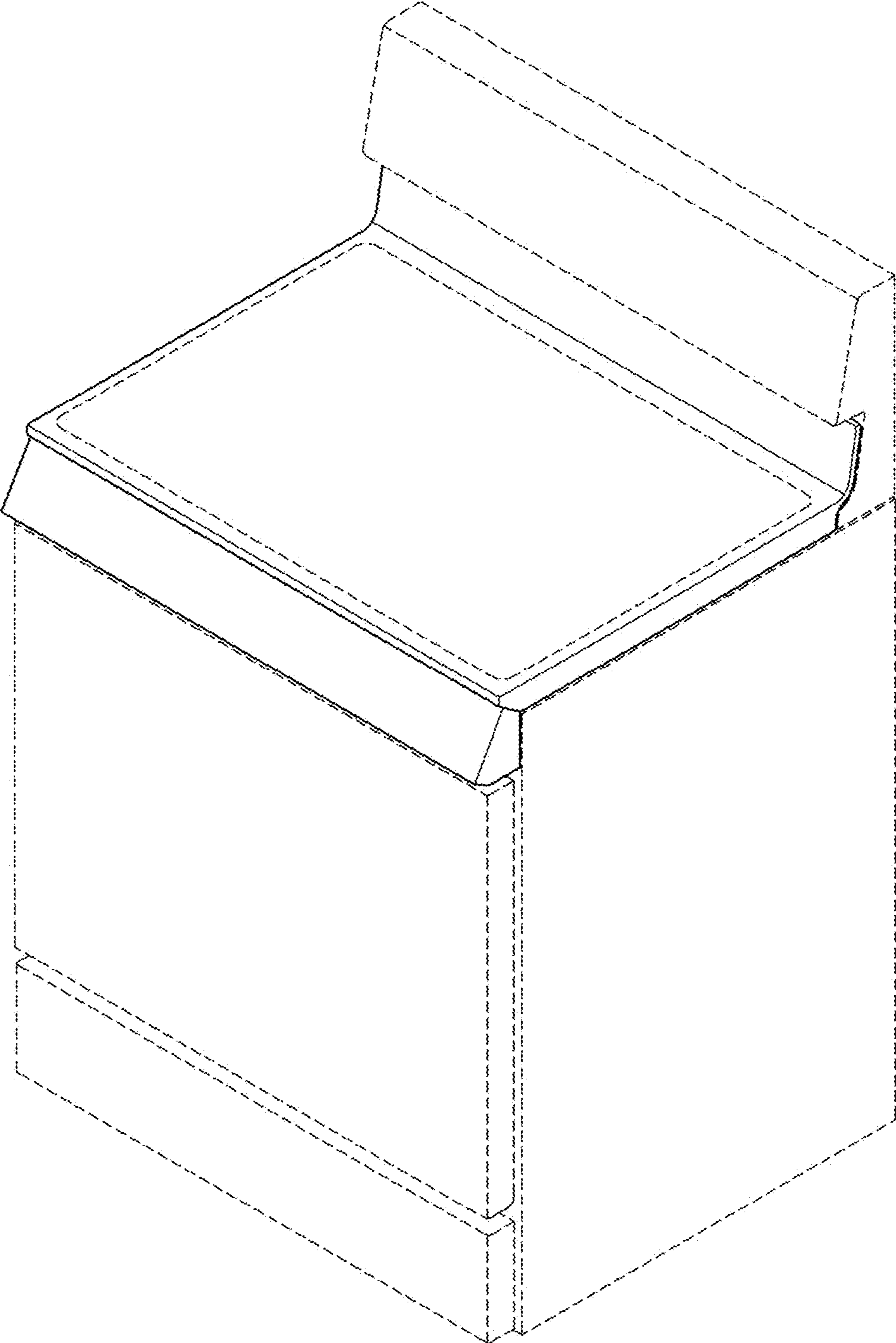
- 1. Oven range
- 1.1 : Perspective
- 1.2 : Front
- 1.3 : Back
- 1.4 : Left
- 1.5 : Right
- 1.6 : Top
- 1.7 : Bottom

Broken lines illustrate environmental condition only and form no part of the claimed design.

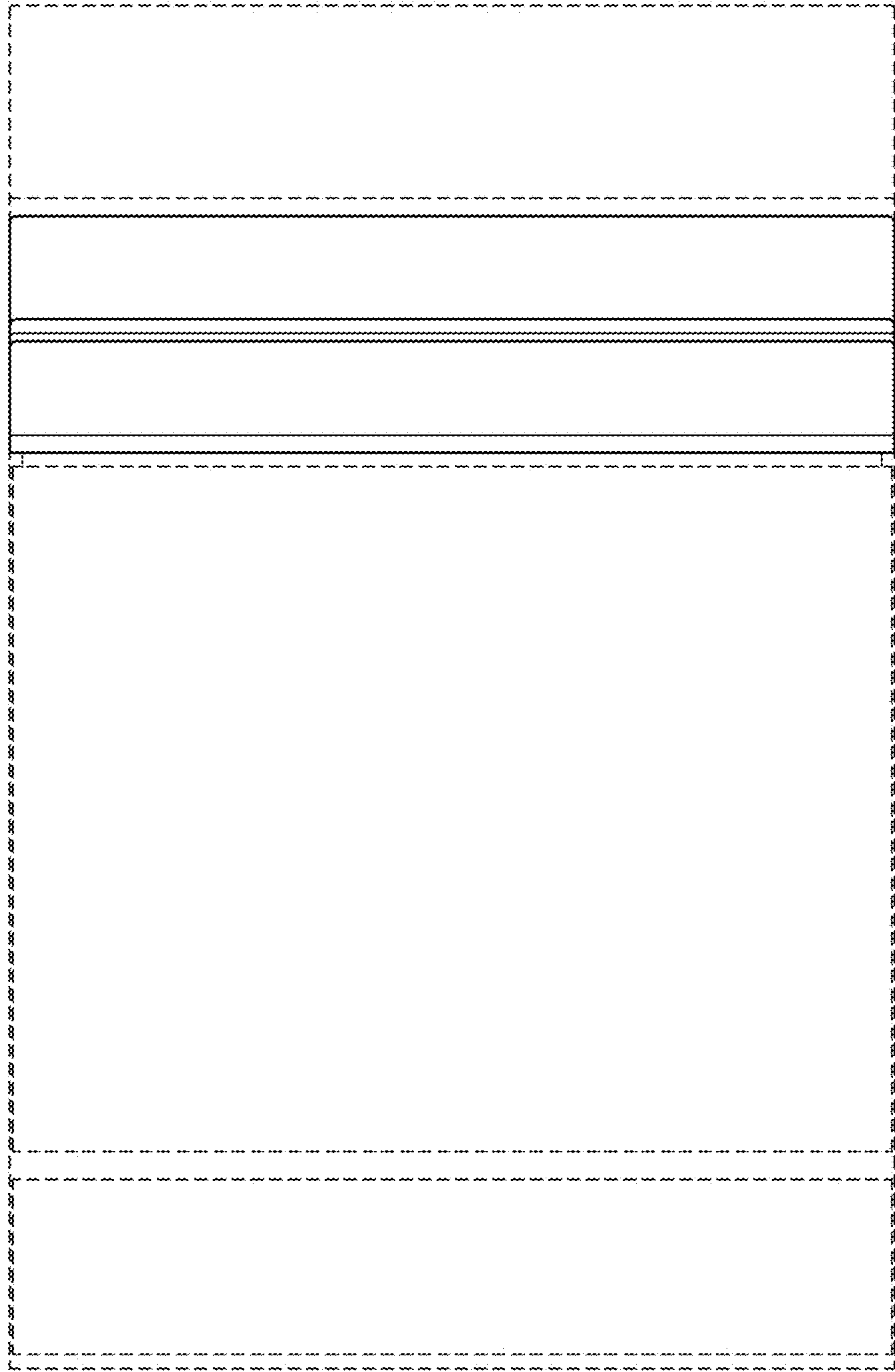
1 Claim, 7 Drawing Sheets



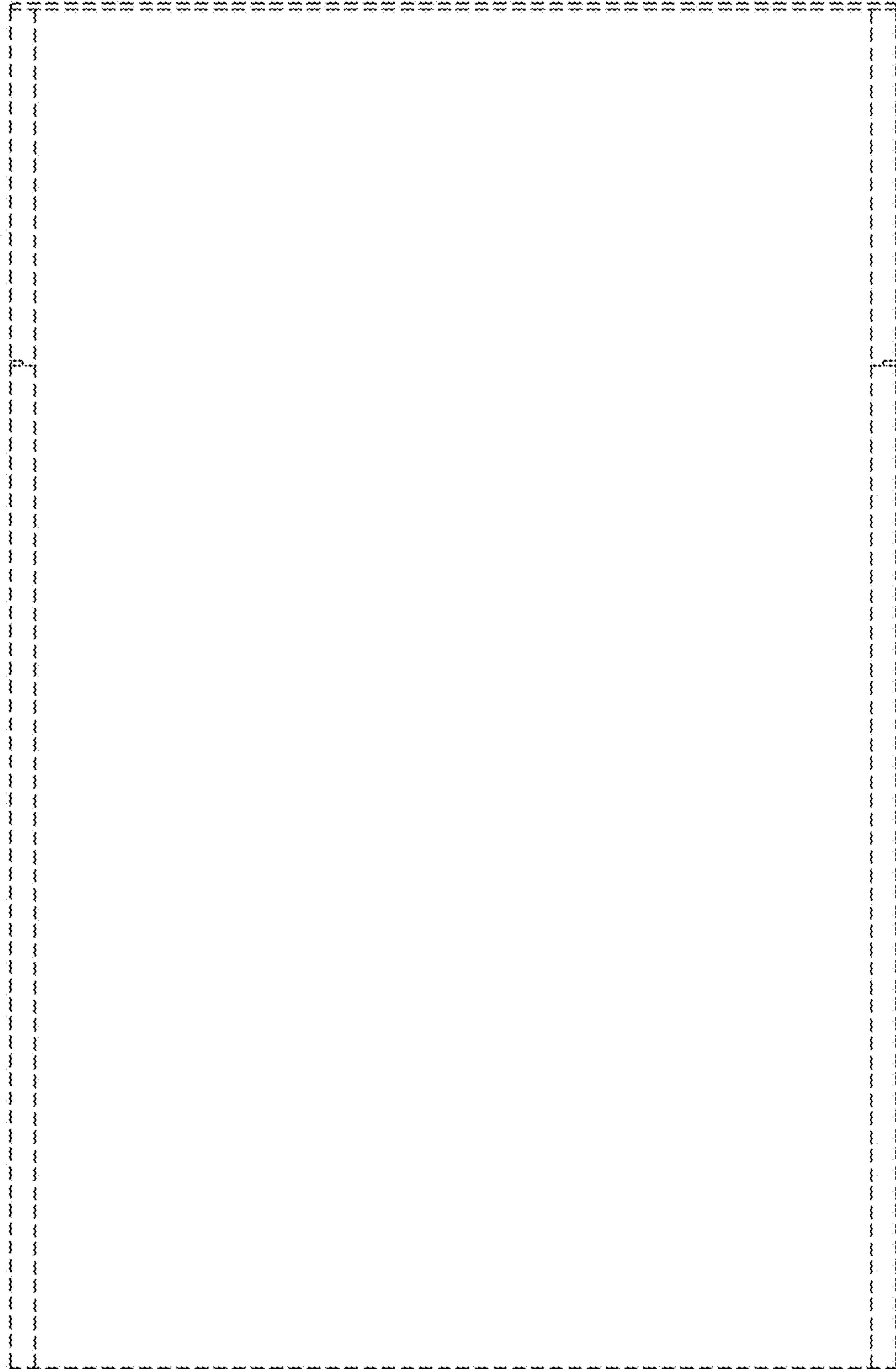
1.1



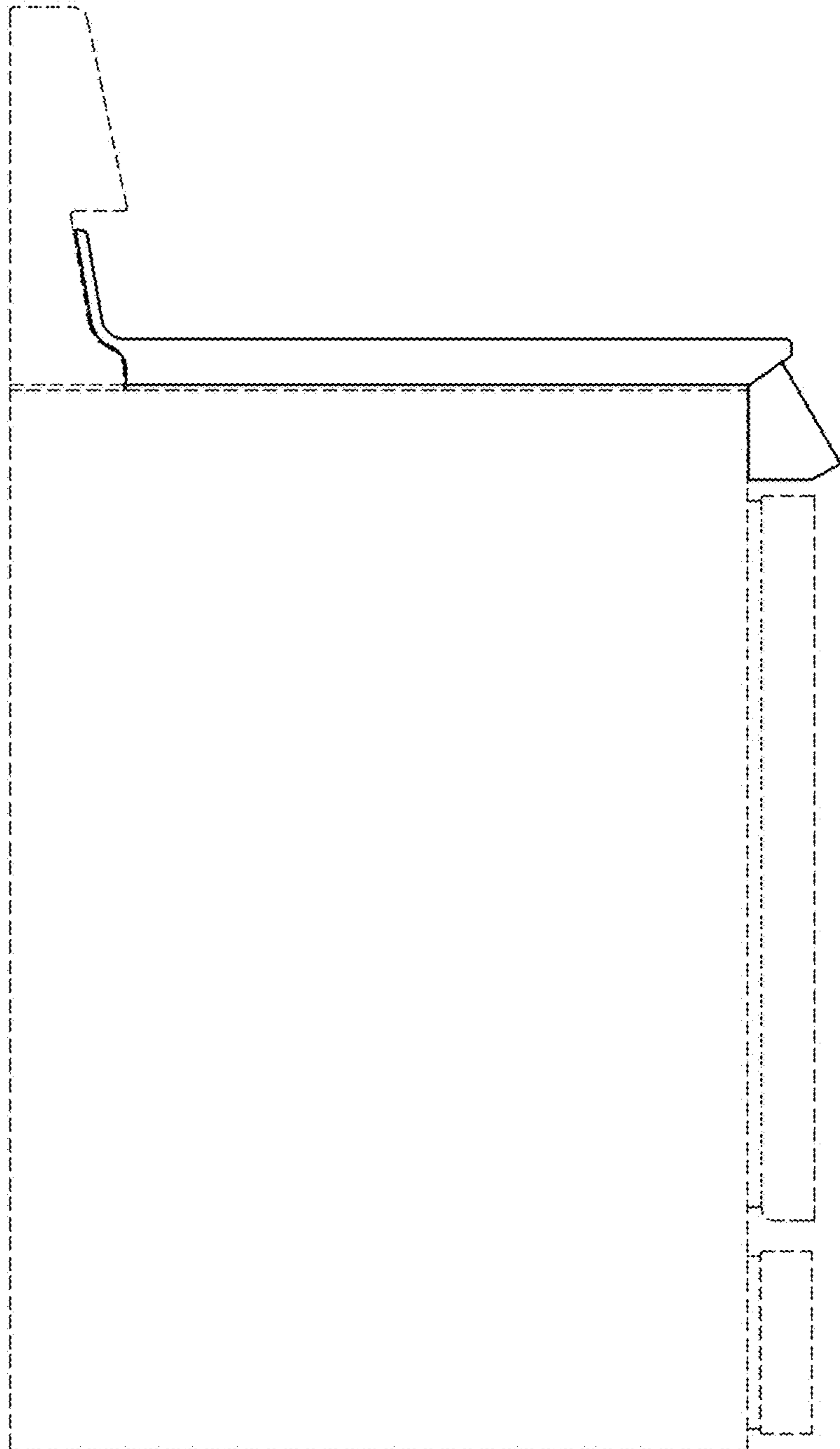
1.2



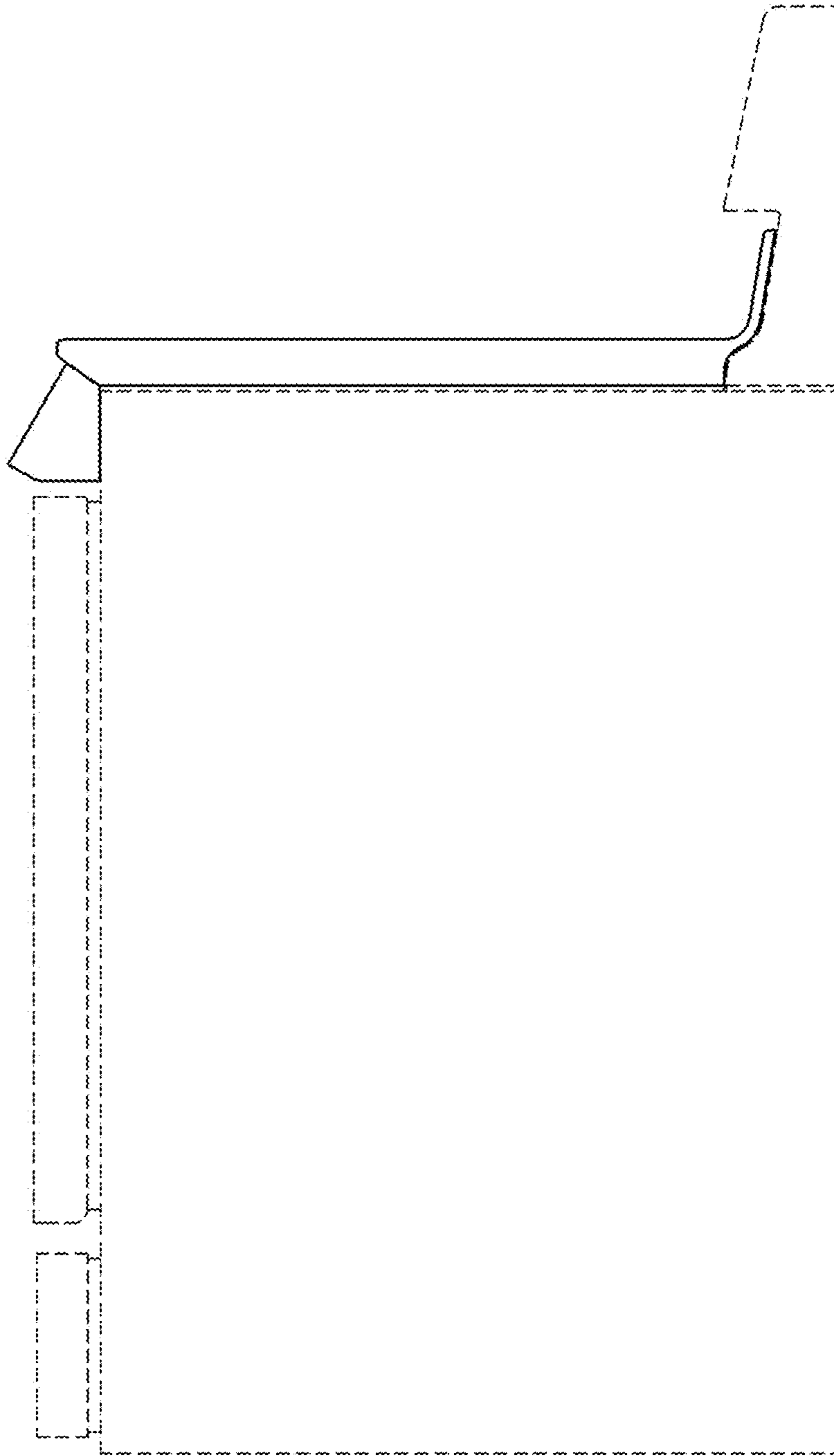
1.3



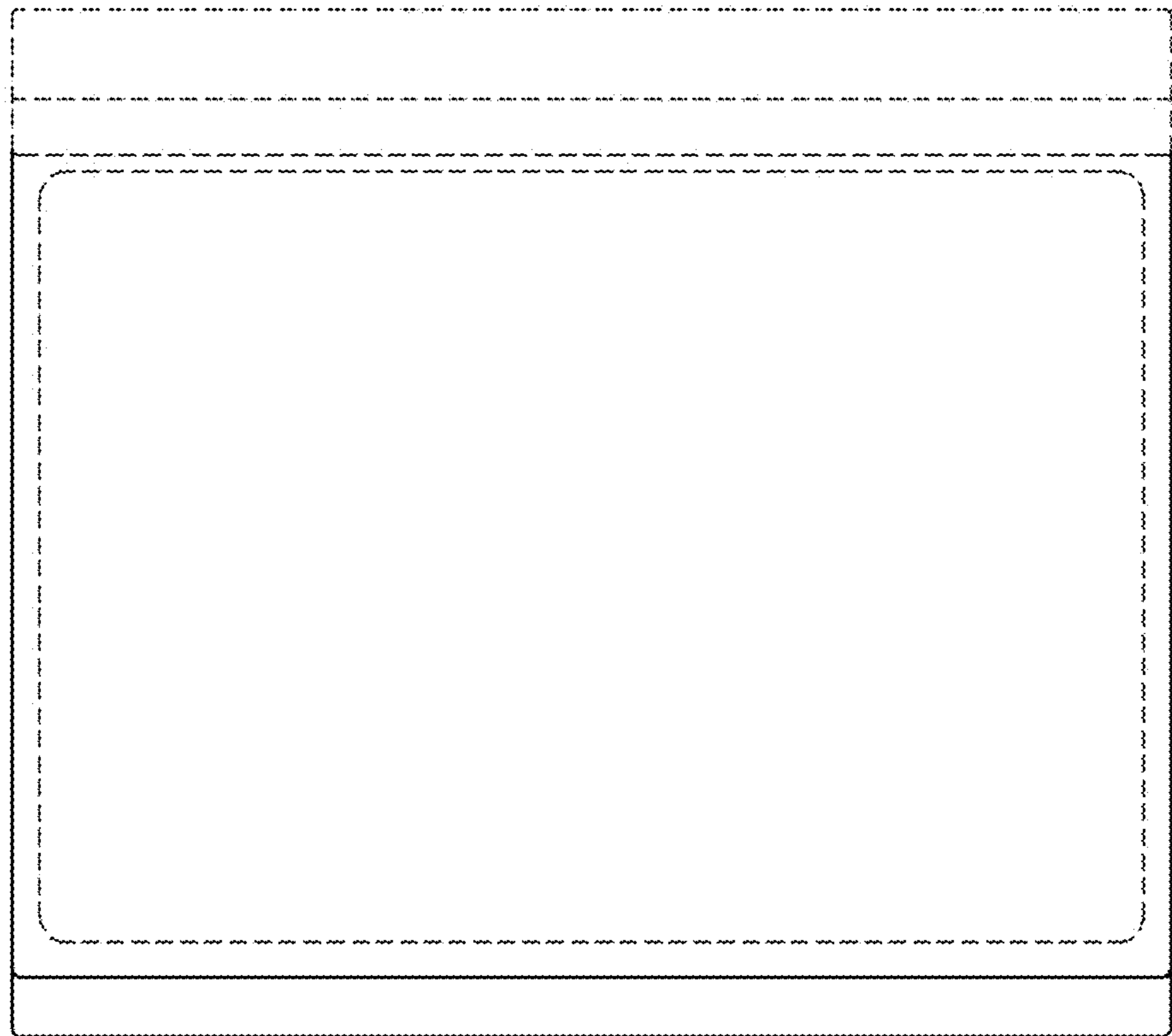
1.4



1.5



1.6



1.7

