



US00D918641S

(12) **United States Design Patent**
Kim et al.

(10) **Patent No.:** **US D918,641 S**

(45) **Date of Patent:** **** May 11, 2021**

(54) **OVEN RANGE**

(71) Applicant: **LG ELECTRONICS INC.**, Seoul (KR)

(72) Inventors: **Sooyeon Kim**, Seoul (KR); **Hongsik Kwon**, Seoul (KR); **Songyi Han**, Seoul (KR); **Suhyeon Son**, Seoul (KR); **Inhwan Ryu**, Seoul (KR)

(73) Assignee: **LG Electronics Inc.**, Seoul (KR)

(**) Term: **15 Years**

(21) Appl. No.: **35/509,212**

(22) Filed: **Oct. 23, 2019**

(80) **Hague Agreement Data**

Int. Filing Date: **Oct. 23, 2019**

Int. Reg. No.: **DM/204756**

Int. Reg. Date: **Oct. 23, 2019**

Int. Reg. Pub. Date: **Apr. 24, 2020**

(30) **Foreign Application Priority Data**

Apr. 25, 2019 (KR) 30-2019-0019706

(51) **LOC (13) Cl.** **07-02**

(52) **U.S. Cl.**
USPC **D7/340**

(58) **Field of Classification Search**
USPC ... D7/339, 340, 341, 348, 350.1–350.4, 351, D7/402

CPC F24C 15/024; F24C 15/162; F24C 15/022; F24C 15/00

See application file for complete search history.

(56) **References Cited**

U.S. PATENT DOCUMENTS

D541,577 S * 5/2007 Kim D7/340

D542,079 S * 5/2007 Kim D7/340

D653,900 S *	2/2012	Kim	D7/340
D685,602 S *	7/2013	Lee	D7/340
D700,469 S *	3/2014	Reay	D7/340
D710,644 S *	8/2014	Kim	D7/340
D786,608 S *	5/2017	Cho	D7/340
D787,254 S *	5/2017	Cho	D7/340
D793,149 S *	8/2017	Lee	D7/340
D862,167 S *	10/2019	Choi	D7/406
D871,823 S *	1/2020	Choi	D7/340
D889,185 S *	7/2020	Kim	D7/340

* cited by examiner

Primary Examiner — Michael A. Pratt

(74) *Attorney, Agent, or Firm* — Birch, Stewart, Kolasch & Birch, LLP

(57) **CLAIM**

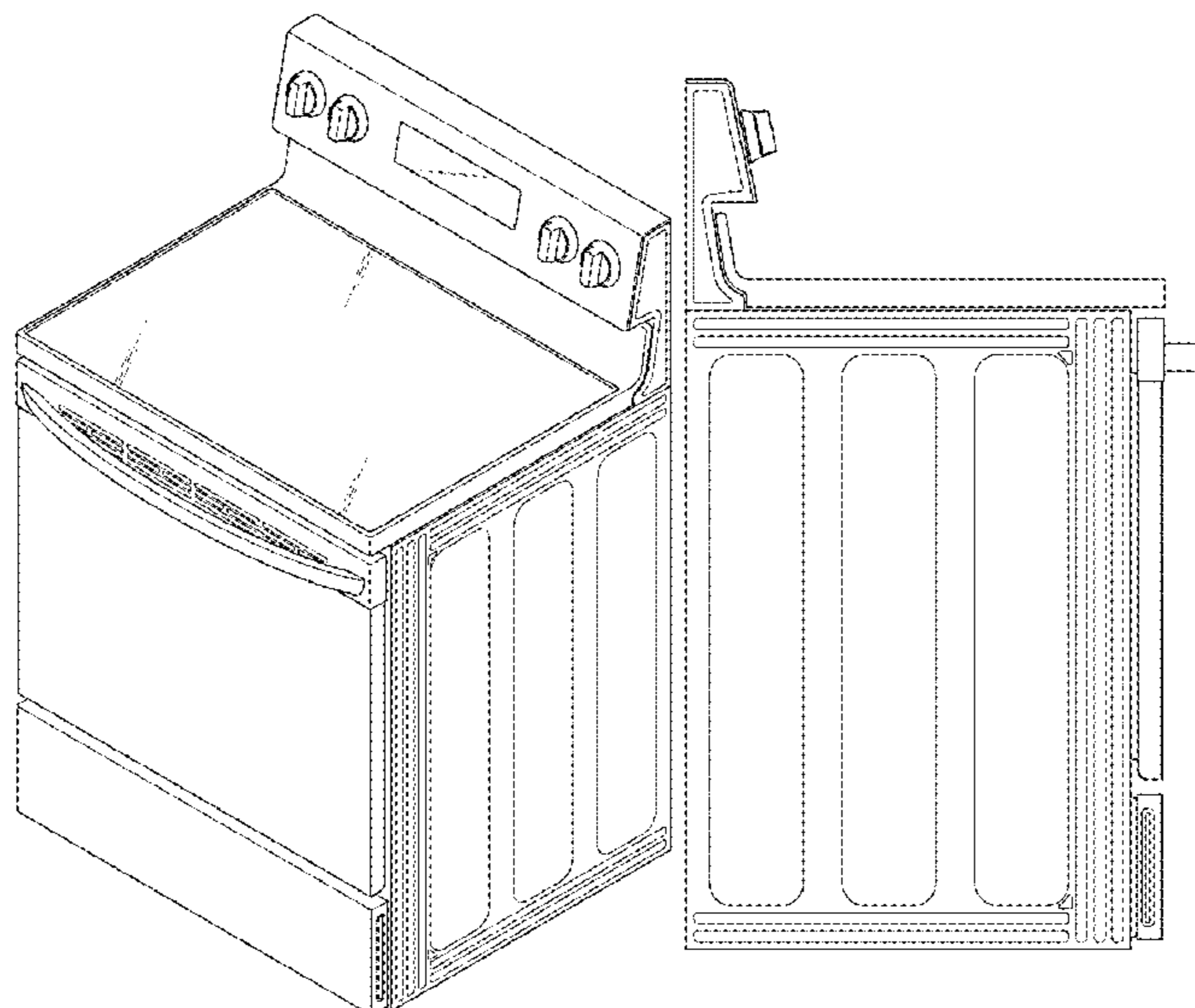
The ornamental design for an oven range, as shown and described.

DESCRIPTION

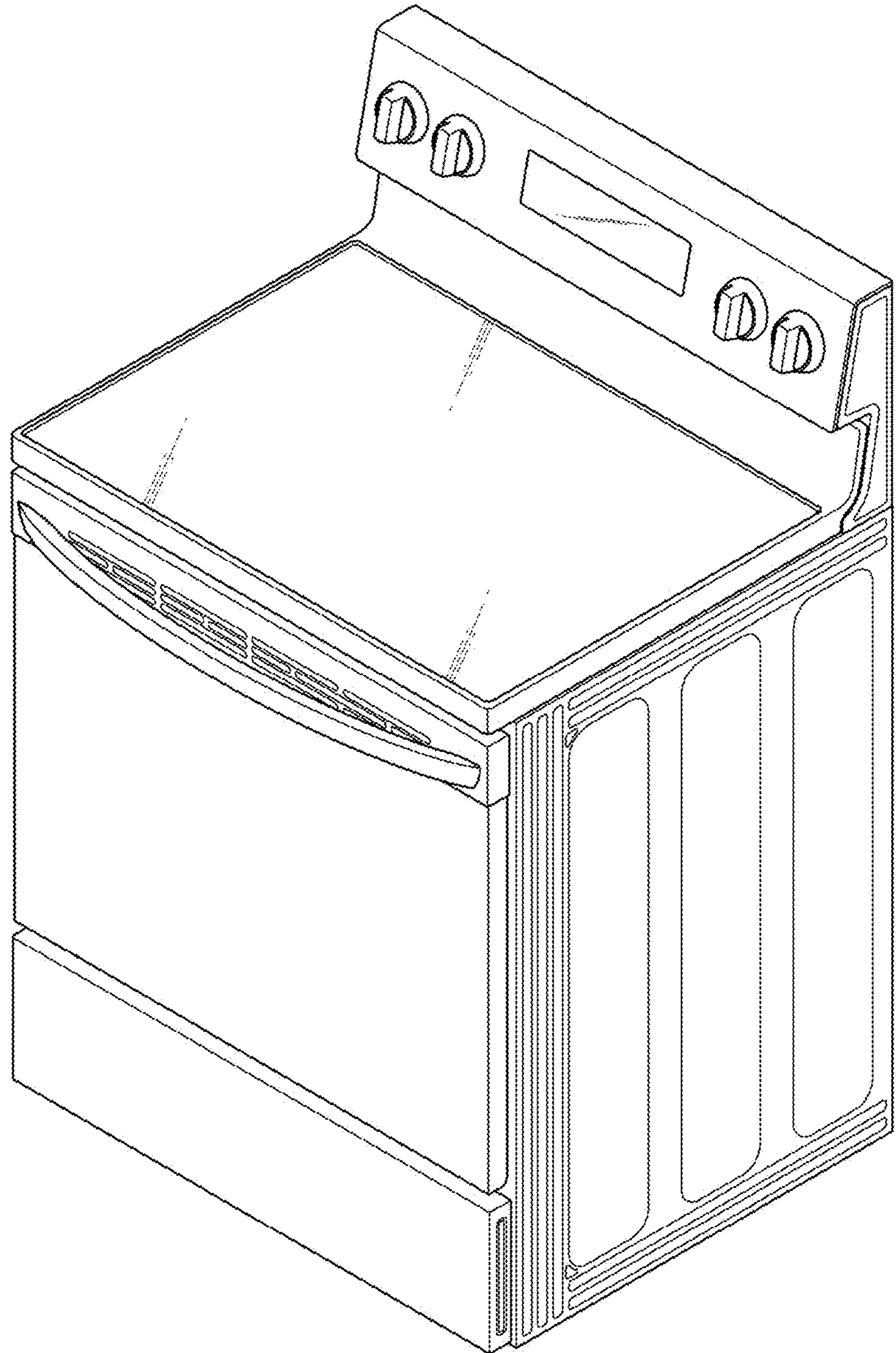
- 1. Oven range
- 1.1 : Perspective
- 1.2 : Front
- 1.3 : Back
- 1.4 : Left
- 1.5 : Right
- 1.6 : Top
- 1.7 : Bottom
- 1.8 : Reference

Reproduction 1.8 is a reference view showing a state of the front surface glass door changed into the so-called “see-through door” by means of a sensor for detecting approach of and/or contact of person, and forms no part of the claimed design.

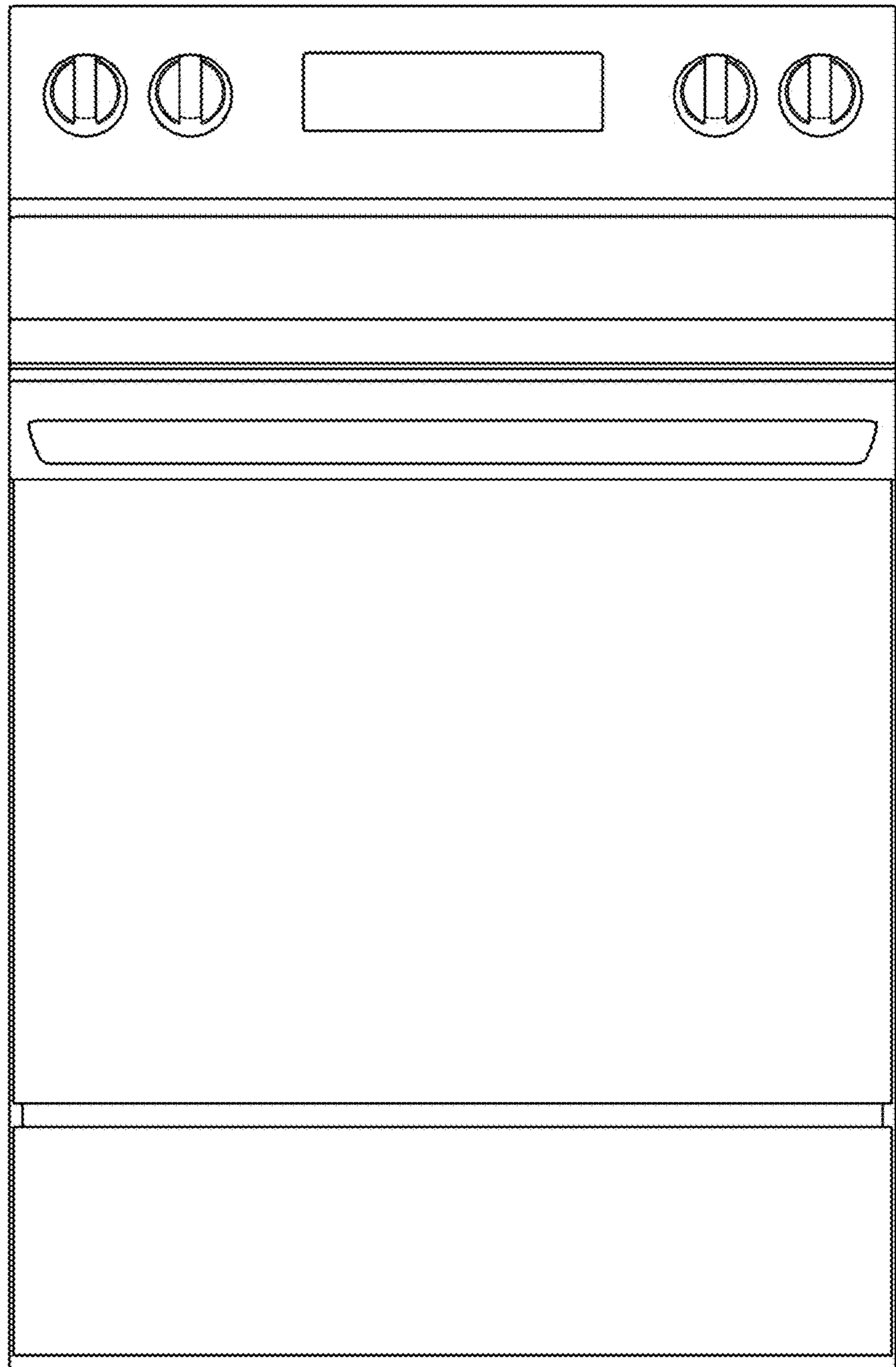
1 Claim, 8 Drawing Sheets



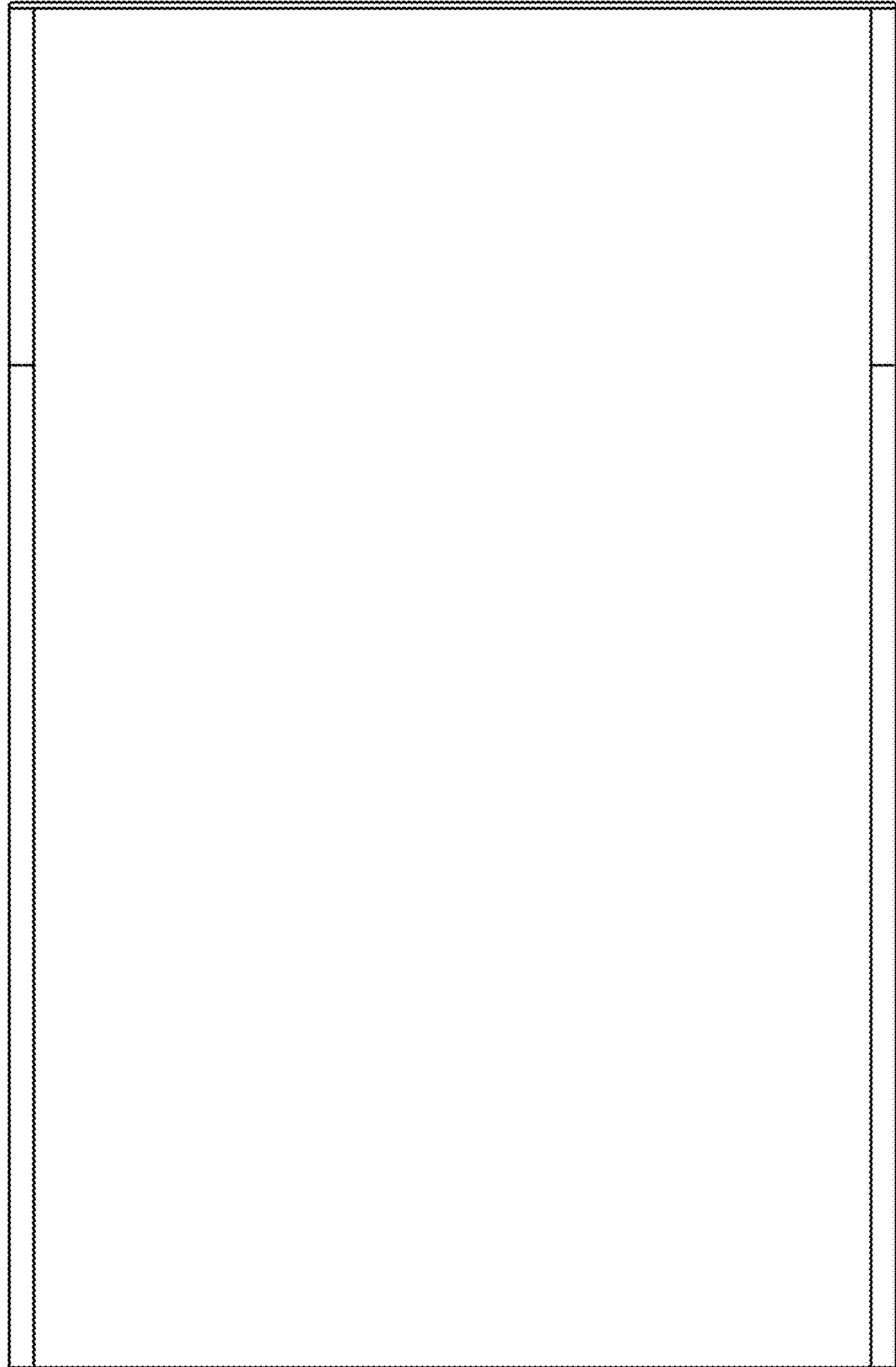
1.1



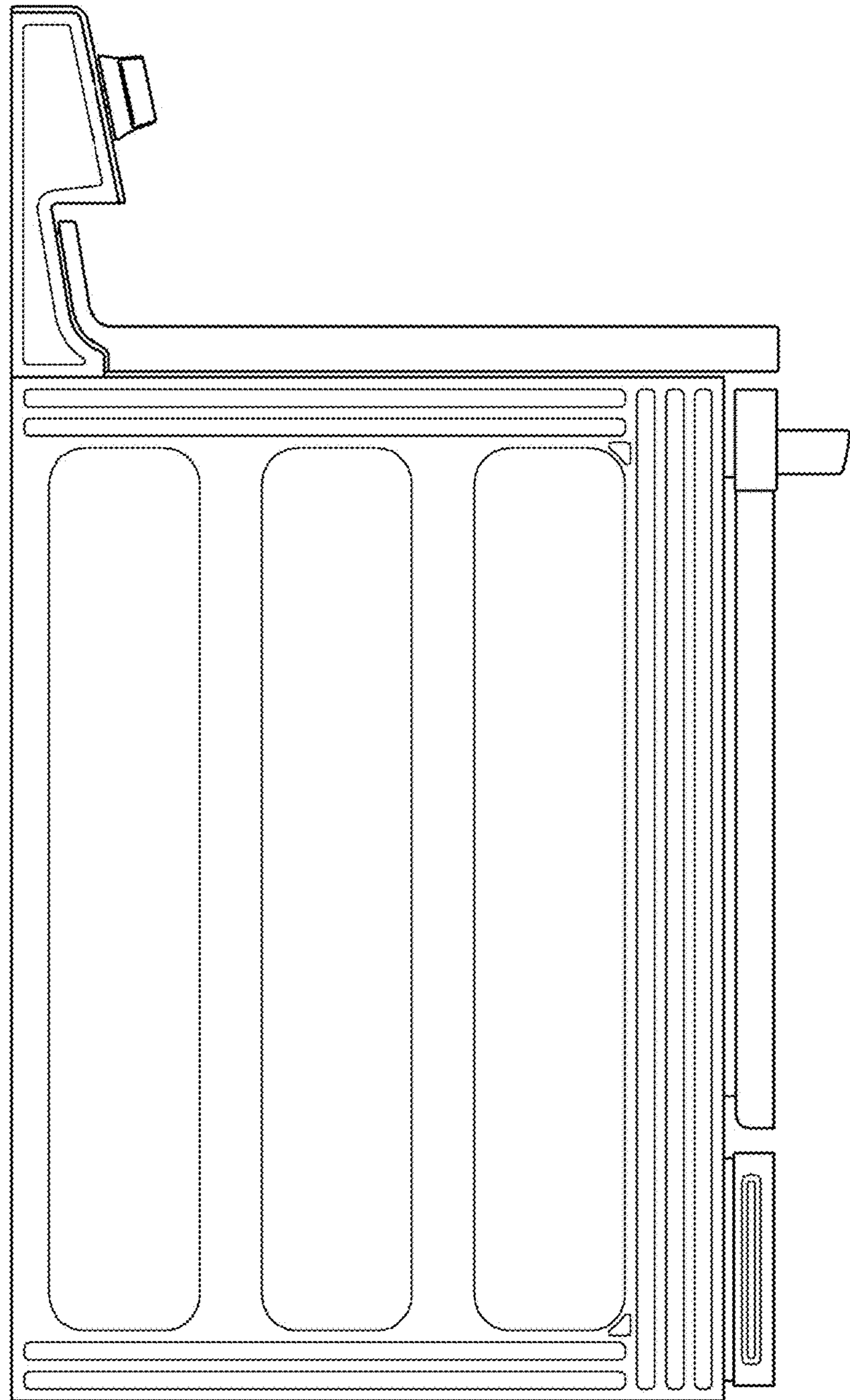
1.2



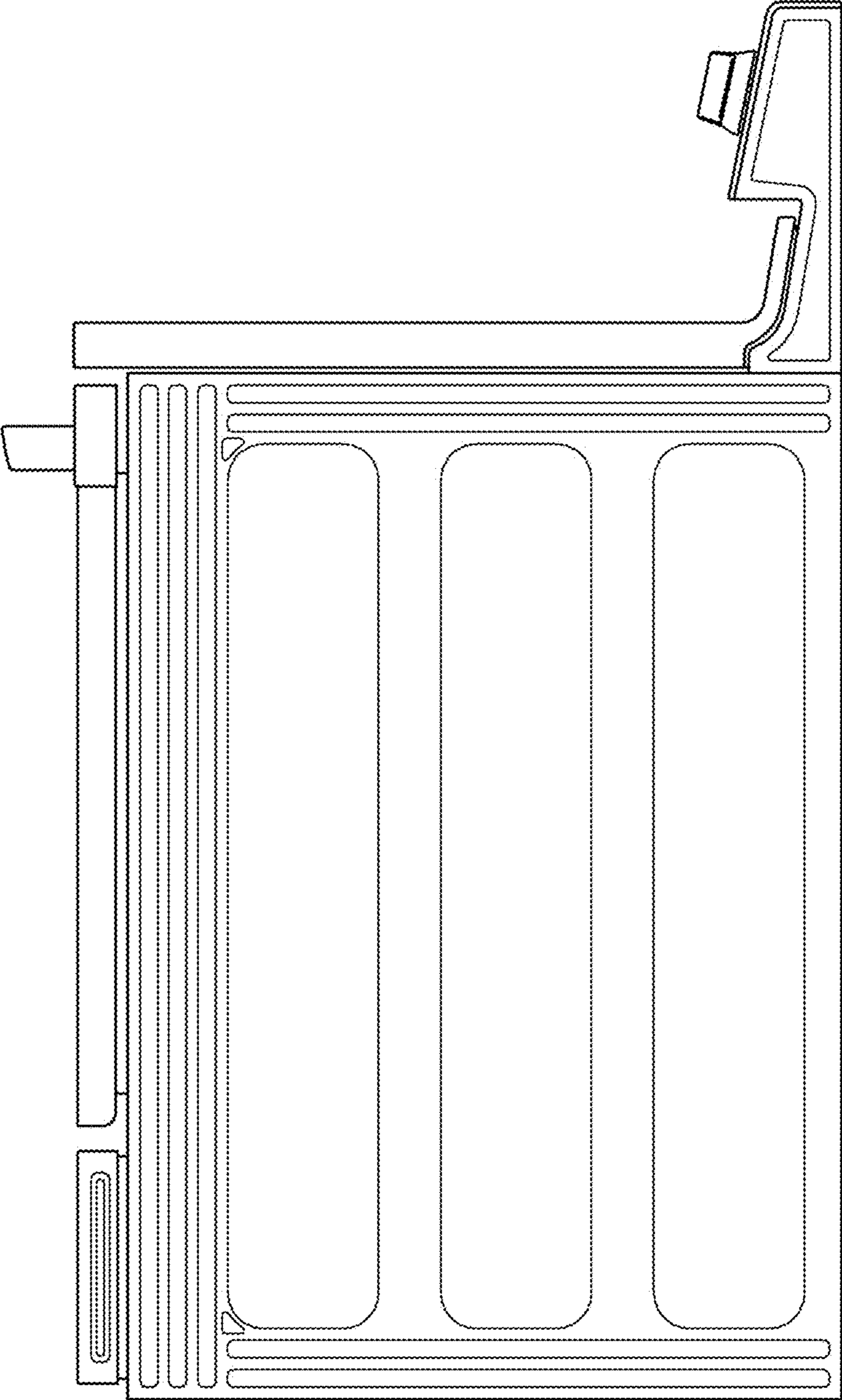
1.3



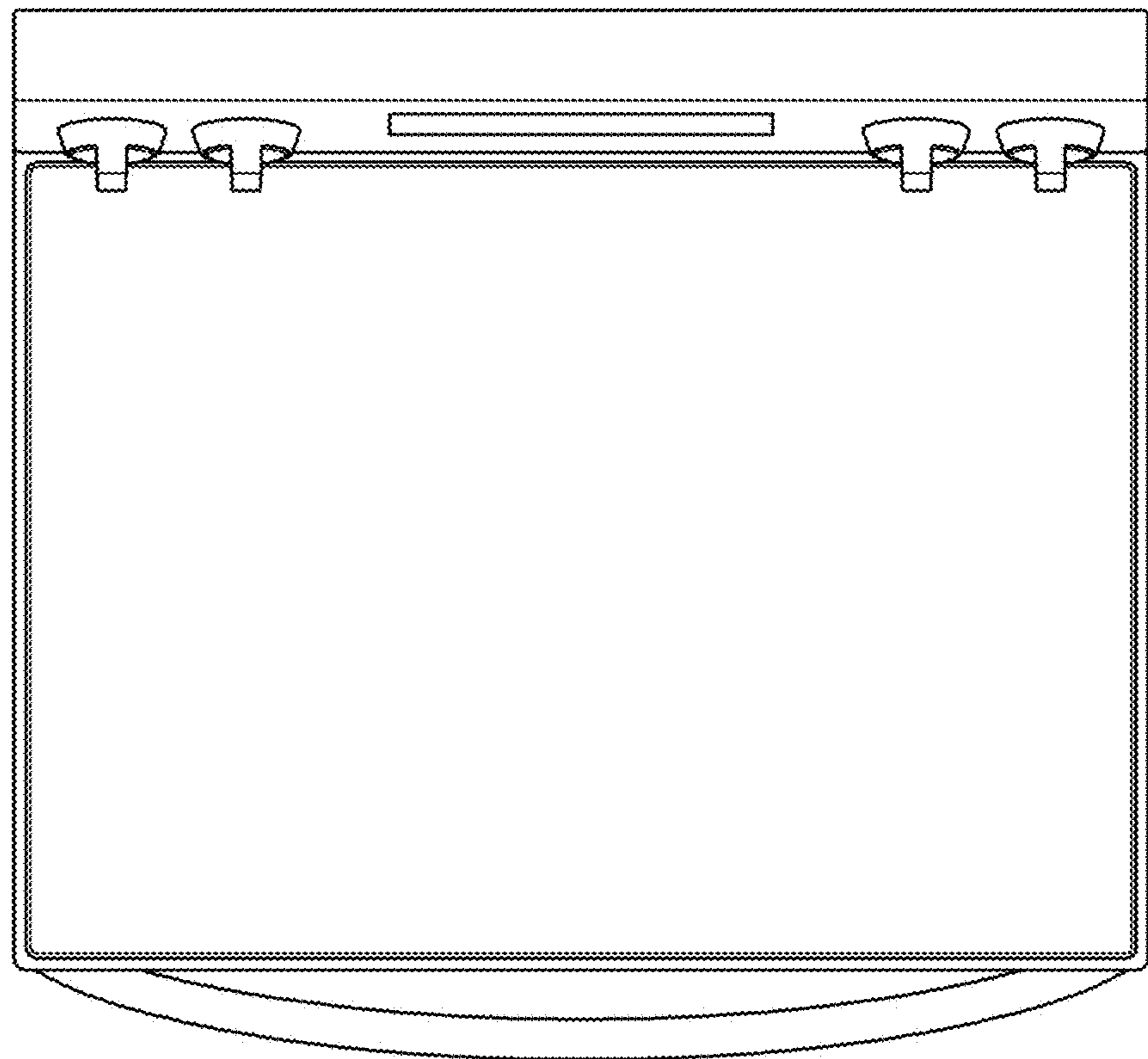
1.4



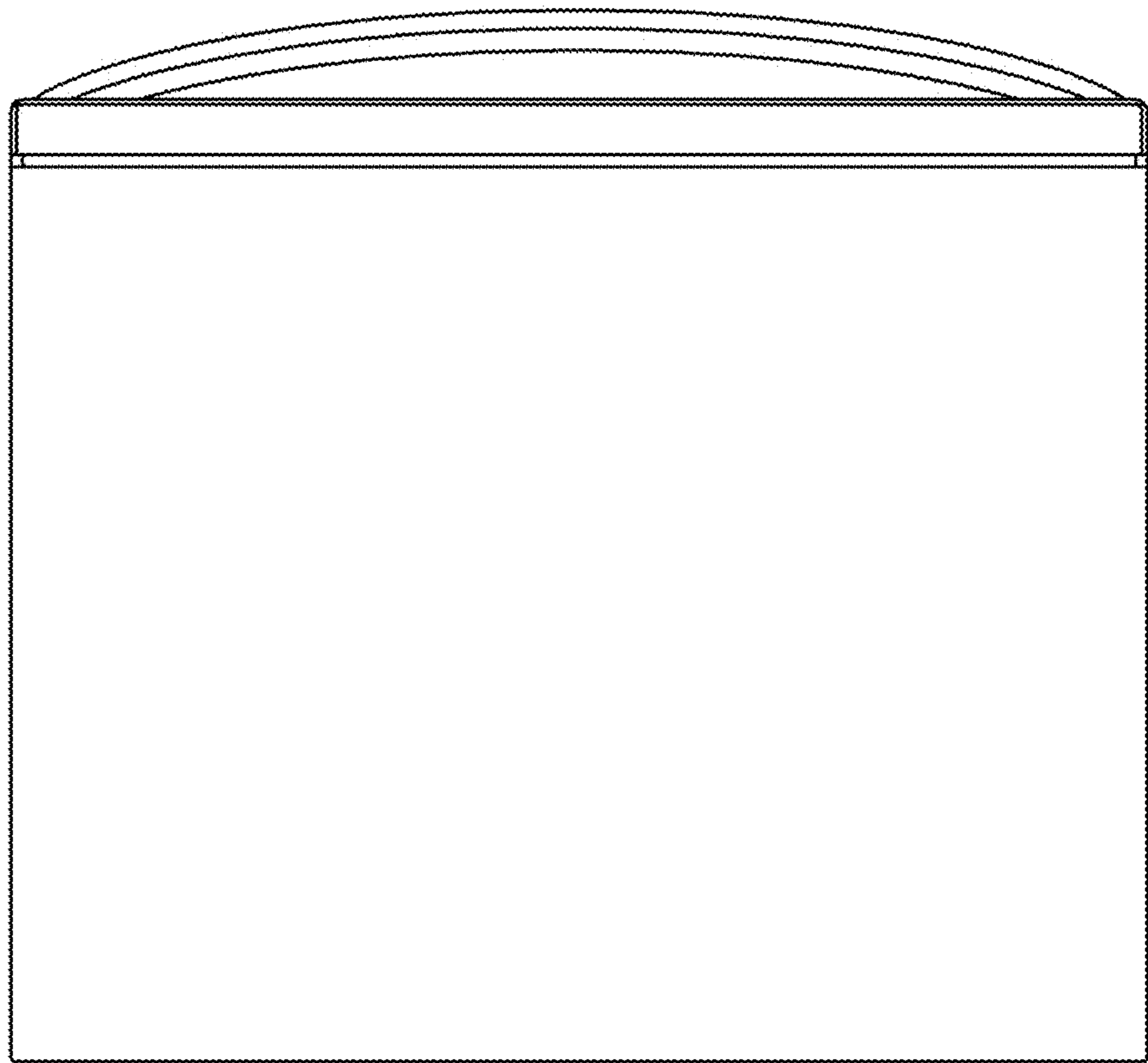
1.5



1.6



1.7



1.8

