



US00D918639S

(12) **United States Design Patent**
Ryu et al.

(10) **Patent No.:** **US D918,639 S**

(45) **Date of Patent:** **** May 11, 2021**

(54) **OVEN RANGE**

(71) Applicant: **LG ELECTRONICS INC.**, Seoul (KR)

(72) Inventors: **Inhwan Ryu**, Seoul (KR); **Sooyeon Kim**, Seoul (KR); **Hongsik Kwon**, Seoul (KR); **Songyi Han**, Seoul (KR); **Suhyeon Son**, Seoul (KR)

(73) Assignee: **LG Electronics Inc.**, Seoul (KR)

(**) Term: **15 Years**

(21) Appl. No.: **35/509,171**

(22) Filed: **Oct. 23, 2019**

(80) **Hague Agreement Data**

Int. Filing Date: **Oct. 23, 2019**

Int. Reg. No.: **DM/204769**

Int. Reg. Date: **Oct. 23, 2019**

Int. Reg. Pub. Date: **Apr. 24, 2020**

(30) **Foreign Application Priority Data**

Apr. 25, 2019 (KR) 30-2019-0019692

(51) **LOC (13) Cl.** **07-02**

(52) **U.S. Cl.**
USPC **D7/340**

(58) **Field of Classification Search**
USPC ... D7/339, 340, 341, 348, 350.1–350.4, 351, D7/402
CPC F24C 15/024; F24C 15/162; F24C 15/022; F24C 15/00
See application file for complete search history.

(56) **References Cited**

U.S. PATENT DOCUMENTS

D541,577 S * 5/2007 Kim D7/340
D542,079 S * 5/2007 Kim D7/340

D610,863 S * 3/2010 Kim D7/340
D623,889 S * 9/2010 Kim D7/340
D642,418 S * 8/2011 Kim D7/340
D642,419 S * 8/2011 Kim D7/340
D646,921 S * 10/2011 Kim D7/340
D653,900 S * 2/2012 Kim D7/340
D655,128 S * 3/2012 Kim D7/340
D685,602 S * 7/2013 Lee D7/340
D700,469 S * 3/2014 Reay D7/340
D704,978 S * 5/2014 Kim D7/340
D710,644 S * 8/2014 Kim D7/340
D786,608 S * 5/2017 Cho D7/340
D787,254 S * 5/2017 Cho D7/340
D787,257 S * 5/2017 Kim D7/340
D789,729 S * 6/2017 Lee D7/340
D790,916 S * 7/2017 Kim D7/406
D793,149 S * 8/2017 Lee D7/340
D805,832 S * 12/2017 Kim D7/340

(Continued)

Primary Examiner — Michael A. Pratt

(74) *Attorney, Agent, or Firm* — Birch, Stewart, Kolasch & Birch, LLP

(57) **CLAIM**

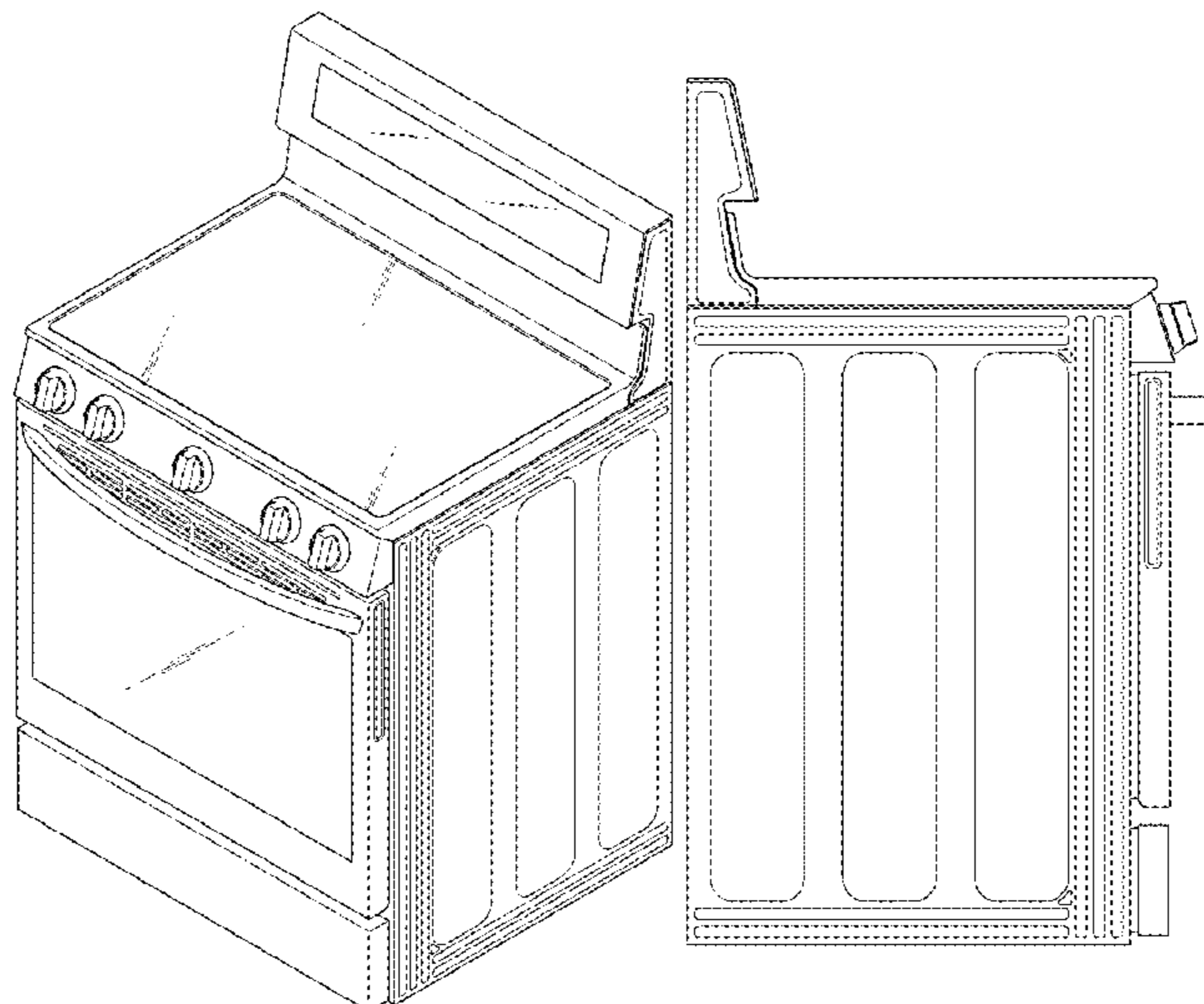
The ornamental design for an oven range, as shown and described.

DESCRIPTION

- 1. Oven range
- 1.1 : Perspective
- 1.2 : Front
- 1.3 : Back
- 1.4 : Left
- 1.5 : Right
- 1.6 : Top
- 1.7 : Bottom
- 1.8 : Reference

Reproduction 1.8 is a reference view showing a state of the front surface glass door changed into the so-called “see-through door” by means of a sensor for detecting approach of and/or contact of person, and forms no part of the claimed design.

1 Claim, 8 Drawing Sheets



(56)

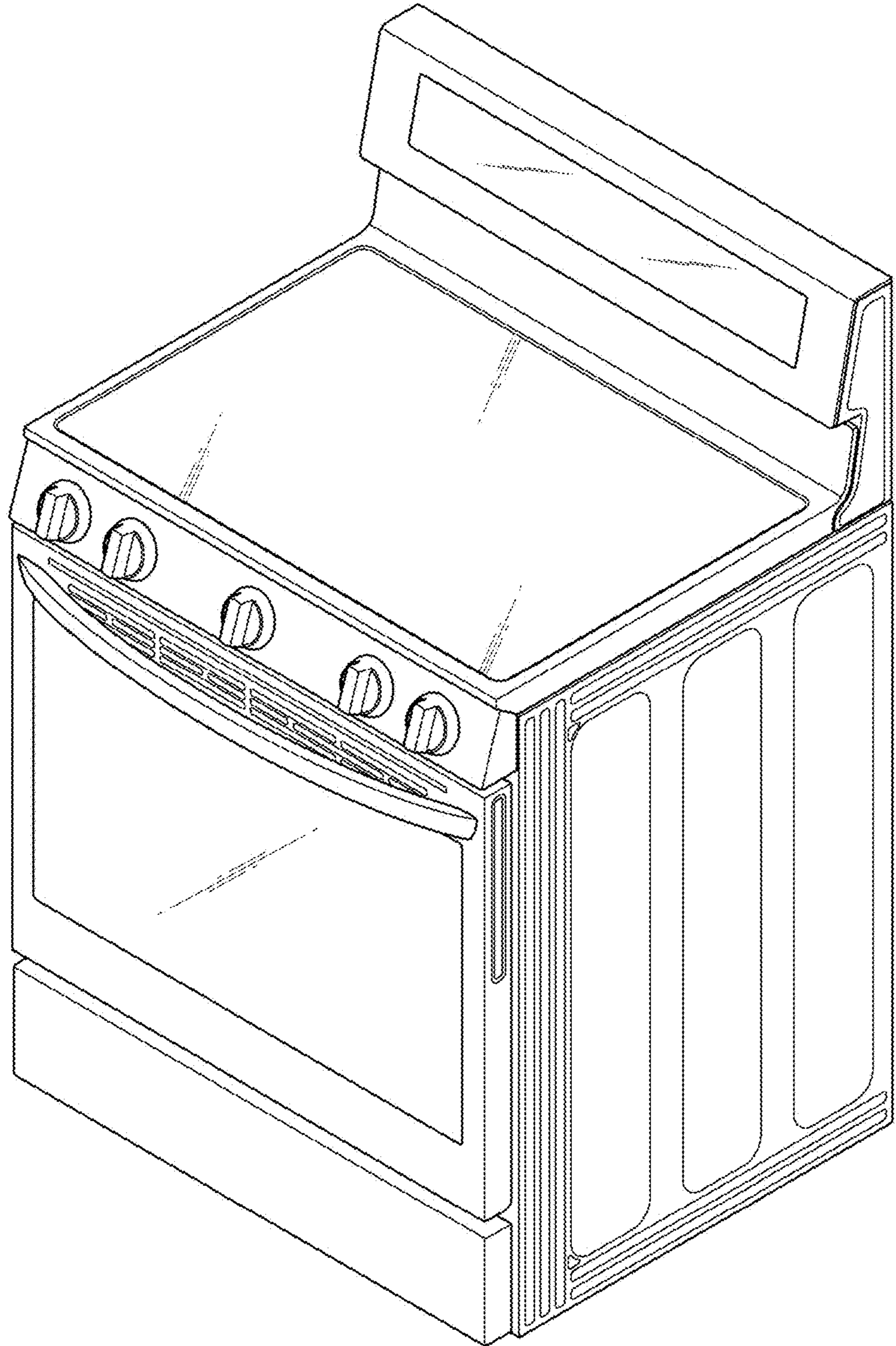
References Cited

U.S. PATENT DOCUMENTS

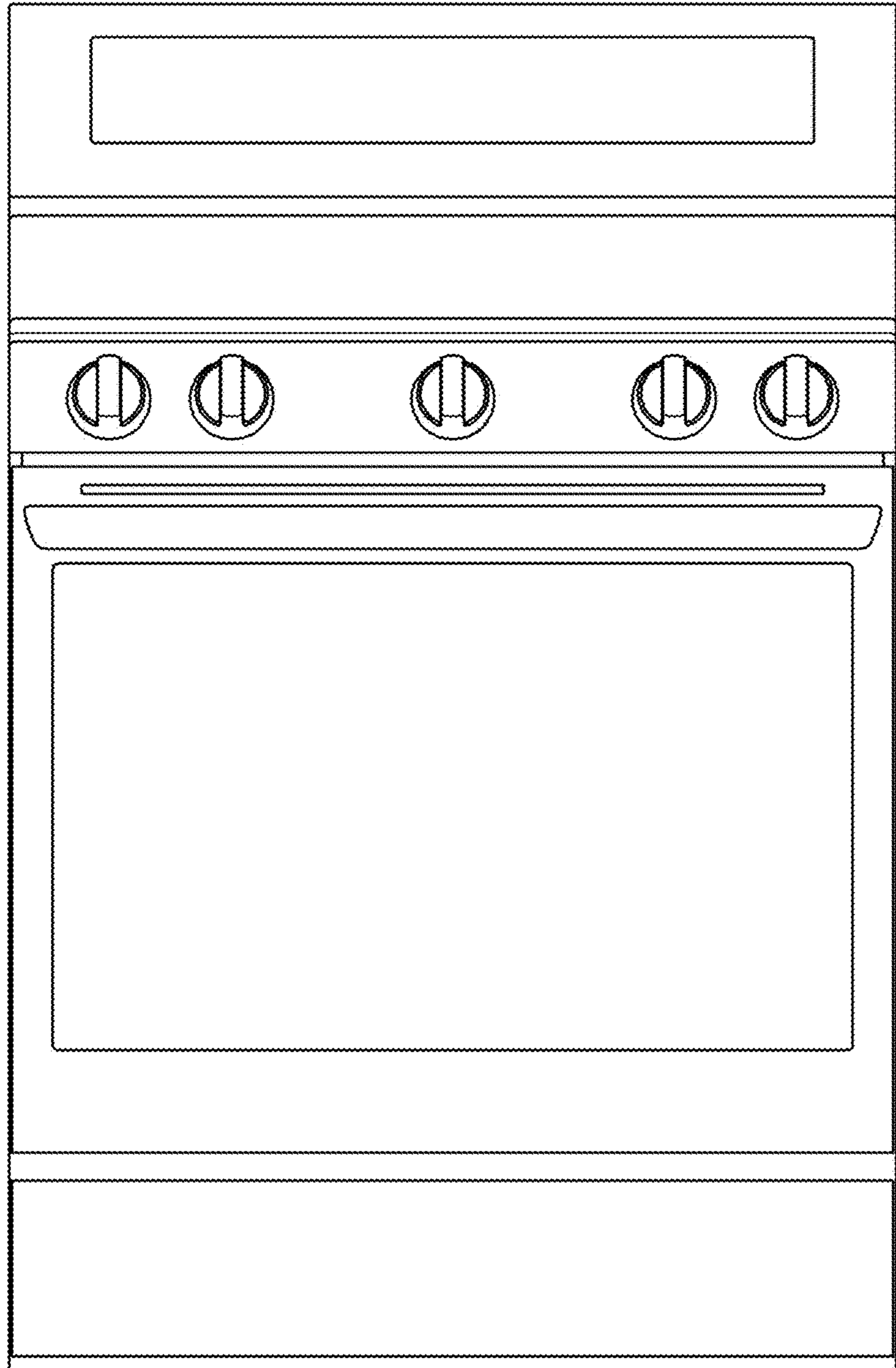
D862,167 S * 10/2019 Choi D7/406
D871,823 S * 1/2020 Choi D7/340
D889,185 S * 7/2020 Kim D7/340
2010/0006085 A1* 1/2010 Thomas F24C 15/325
126/21 A
2012/0285437 A1* 11/2012 Kim F24C 15/04
126/200
2014/0097172 A1* 4/2014 Kang F24C 7/002
219/394
2015/0285514 A1* 10/2015 Wie F24B 1/02
126/21 A

* cited by examiner

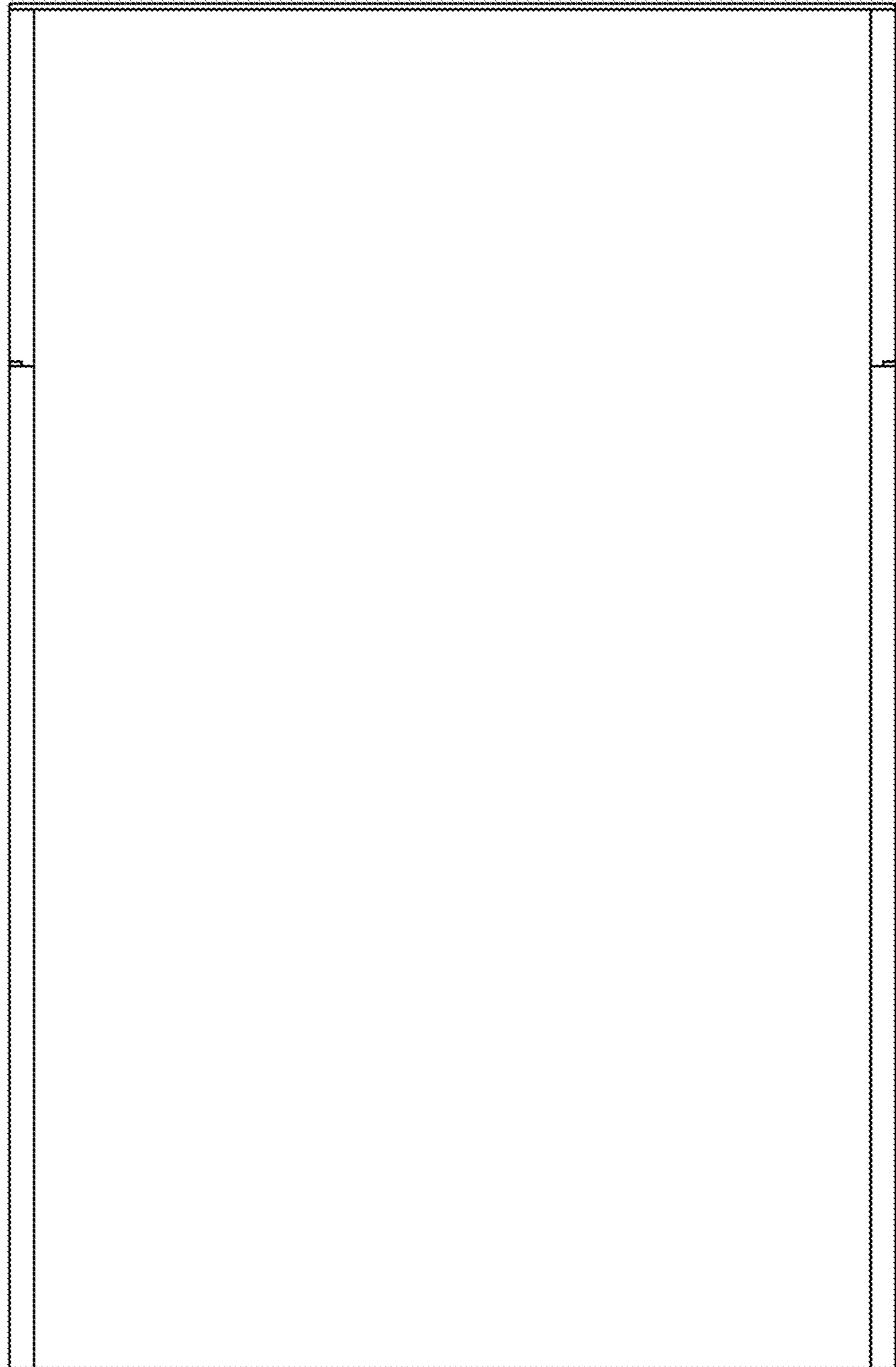
1.1



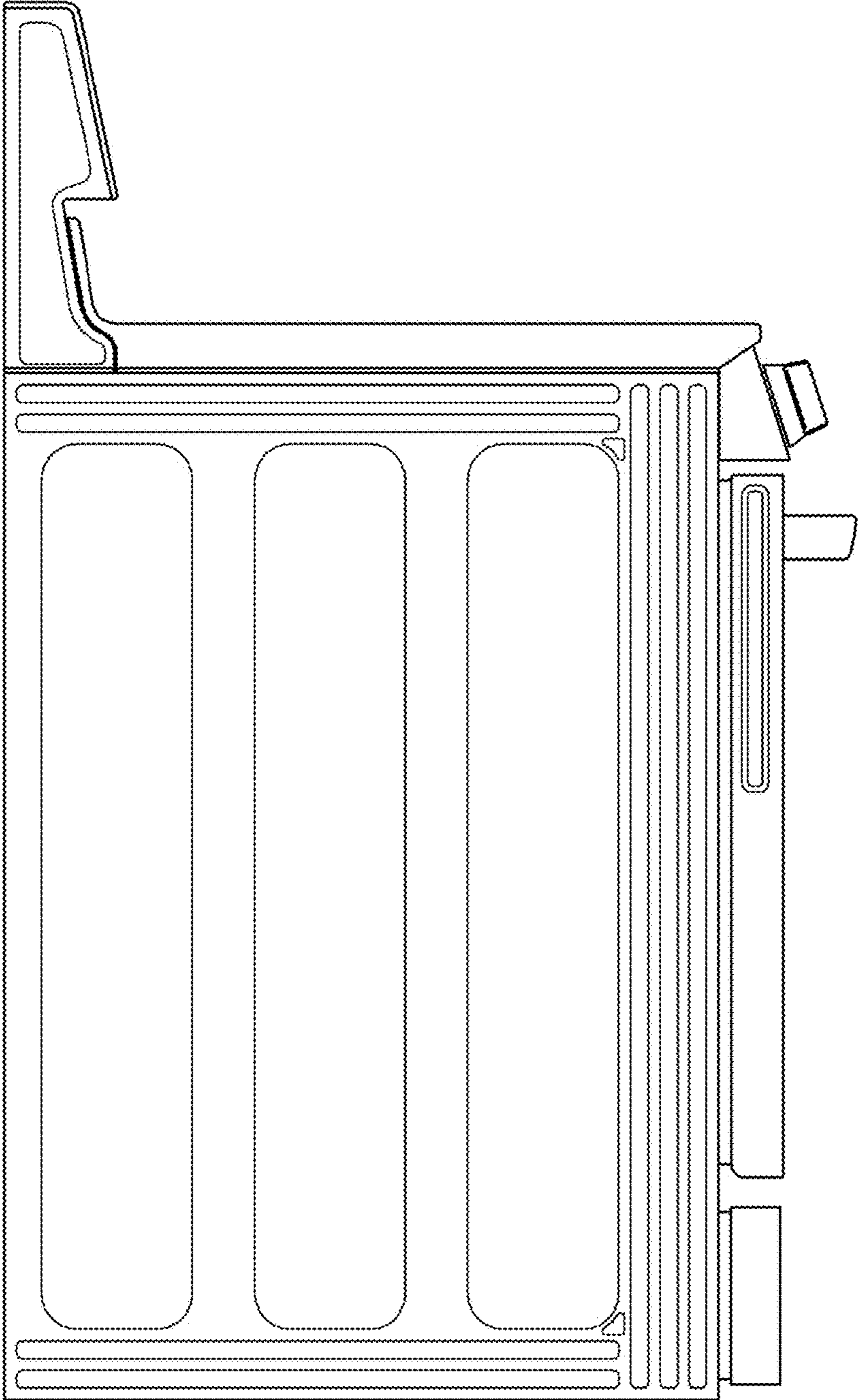
1.2



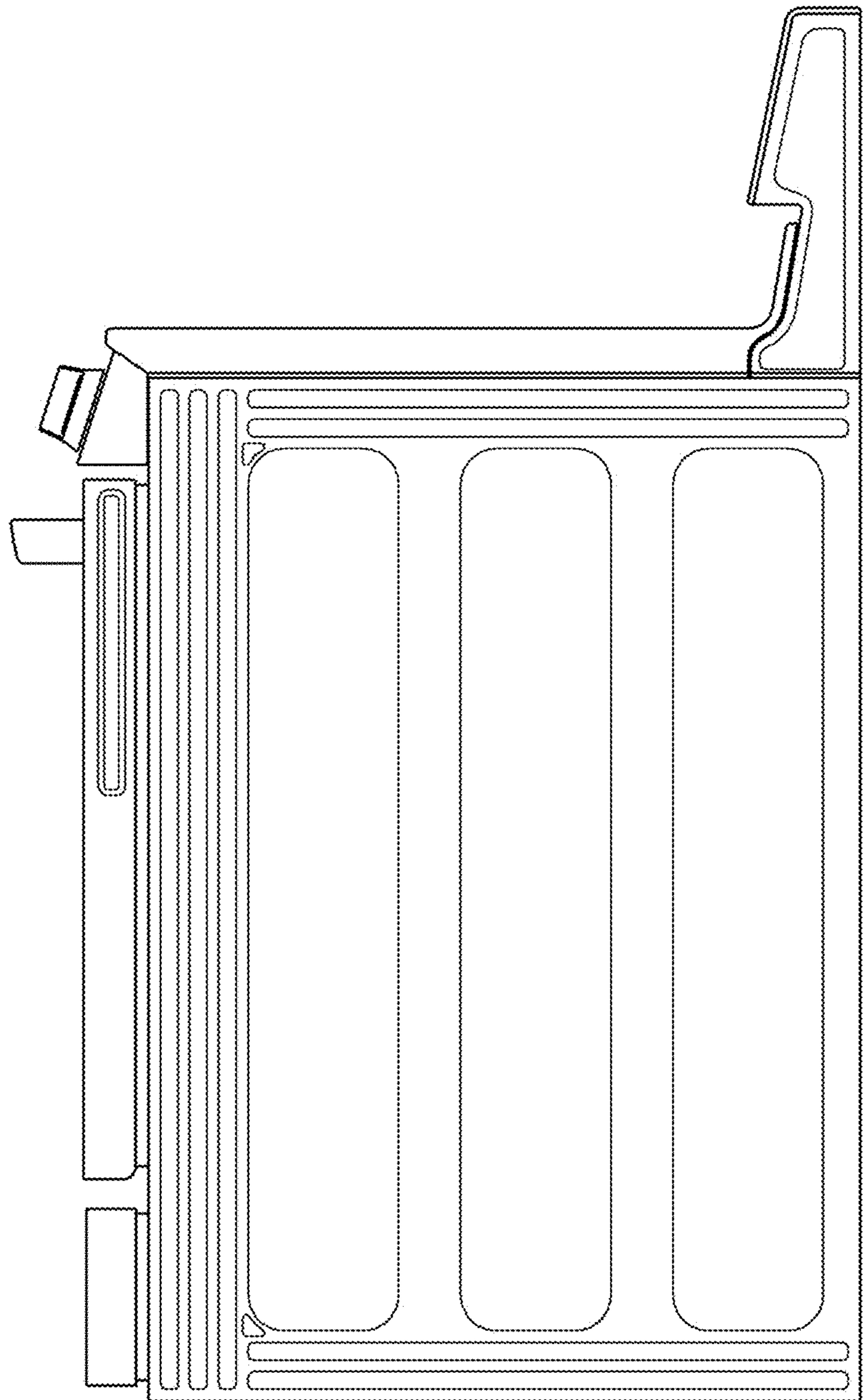
1.3



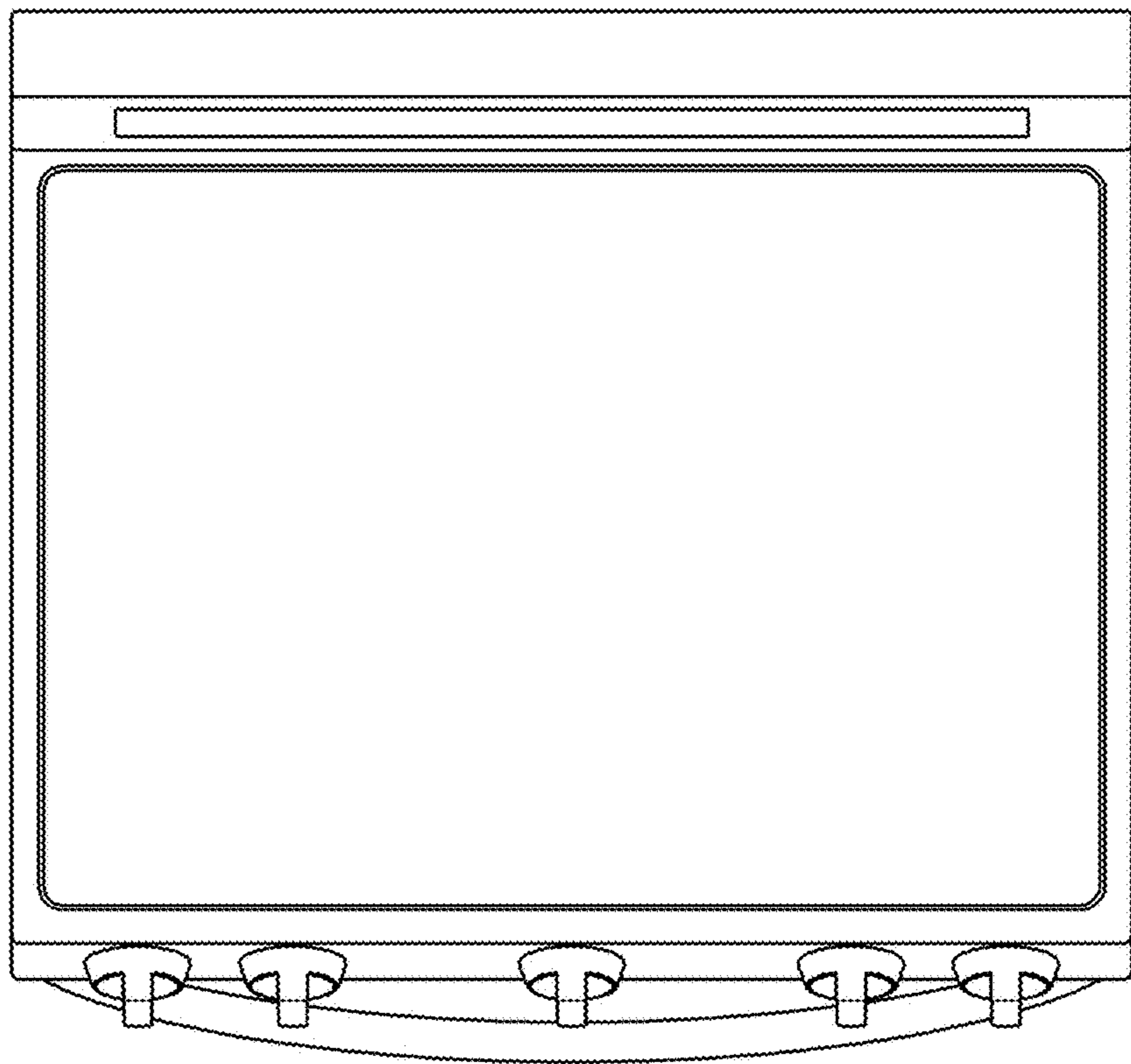
1.4



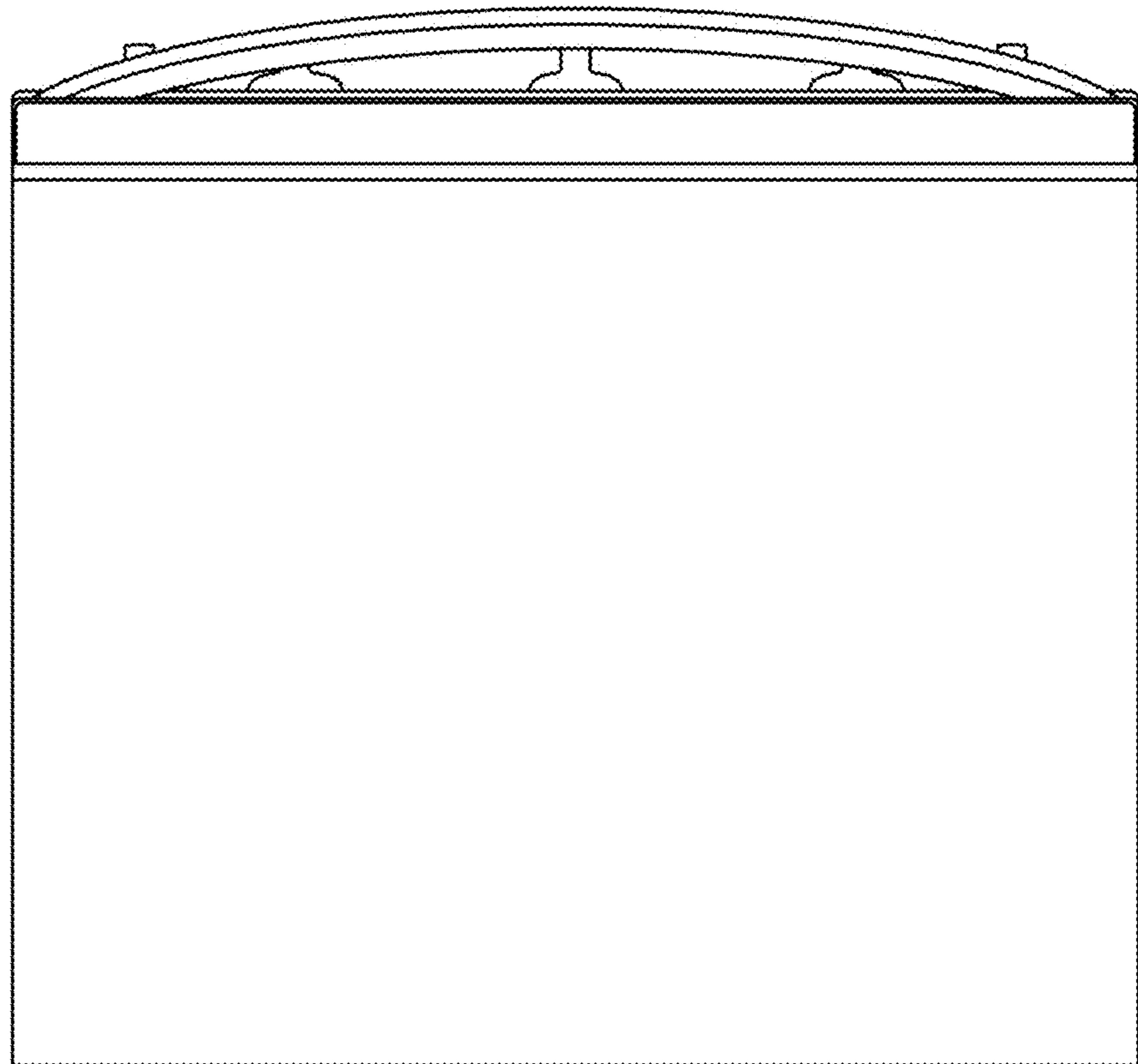
1.5



1.6



1.7



1.8

