



US00D918637S

(12) **United States Design Patent**  
**Yang**

(10) **Patent No.:** **US D918,637 S**

(45) **Date of Patent:** **\*\* May 11, 2021**

(54) **OVEN**

(71) Applicant: **Dongguan Hyxion Metal Technology Co., Ltd.**, Guangdong (CN)

(72) Inventor: **Jinghui Yang**, GuangDong (CN)

(\*\*) Term: **15 Years**

(21) Appl. No.: **29/693,583**

(22) Filed: **Jun. 4, 2019**

(51) **LOC (13) Cl.** ..... **07-02**

(52) **U.S. Cl.**  
USPC ..... **D7/340**

(58) **Field of Classification Search**

USPC ..... D7/323, 328, 329, 330, 339, 340, 341, D7/342, 343, 344, 345, 346, 347, 348, D7/349, 351, 352, 365, 367, 390, 402, D7/403, 404, 405, 406, 407, 408, 409, D7/410, 411, 538, 543, 554.1, 554.2, 585  
CPC .... A21B 1/00; A21B 1/52; A21B 5/00; A21B 3/13; A21B 3/131; A21B 3/132; A21B 3/133; A21B 3/138; A21B 3/15; A21B 5/023; A47J 37/00; A47J 37/04; A47J 37/06; A47J 37/0623; A47J 37/0611; A47J 37/067; A47J 37/0605; A47J 37/0629; A47J 37/0676; A47J 27/60; A47J 27/62; A47J 36/022; A47J 36/025; A47J 36/027; A47G 19/02; A47G 19/027; A47G 19/22; F24C 1/00; F24C 3/00; F24C 3/002; F24C 3/008; F24C 5/00; F24C 7/00; F24C 7/002; F24C 7/043; F24C 7/062; F24C 11/00; F24C 15/02; F24C 15/04; F24C 15/10

See application file for complete search history.

(56) **References Cited**

**U.S. PATENT DOCUMENTS**

6,712,065 B2 \* 3/2004 Rummel ..... F24C 3/085  
126/211  
D524,093 S \* 7/2006 Home ..... D7/340

D702,988 S \* 4/2014 Boo ..... D7/340  
D736,553 S \* 8/2015 Funnell, II ..... D7/339  
D755,563 S \* 5/2016 Kim ..... D7/406  
D773,232 S \* 12/2016 Shoemaker ..... D7/339  
D798,108 S \* 9/2017 Shoemaker ..... D7/408  
D817,685 S \* 5/2018 Incukur ..... D7/340  
D829,482 S \* 10/2018 Incukur ..... D7/340  
D835,932 S \* 12/2018 Incukur ..... D7/340  
D836,374 S \* 12/2018 Kim ..... D7/340  
D840,738 S \* 2/2019 Chung ..... D7/340  
D851,978 S \* 6/2019 Bell ..... D7/340  
D862,982 S \* 10/2019 Kim ..... D7/406  
D863,882 S \* 10/2019 Kim ..... D7/405  
D874,220 S \* 2/2020 Kim ..... D7/406  
D874,221 S \* 2/2020 Kim ..... D7/406  
2010/0186603 A1 \* 7/2010 Bowles ..... A47J 37/067  
99/422

(Continued)

*Primary Examiner* — Dana K Weiland

*Assistant Examiner* — Messina L Smith

(74) *Attorney, Agent, or Firm* — Prakash Nama; Global IP Services, PLLC

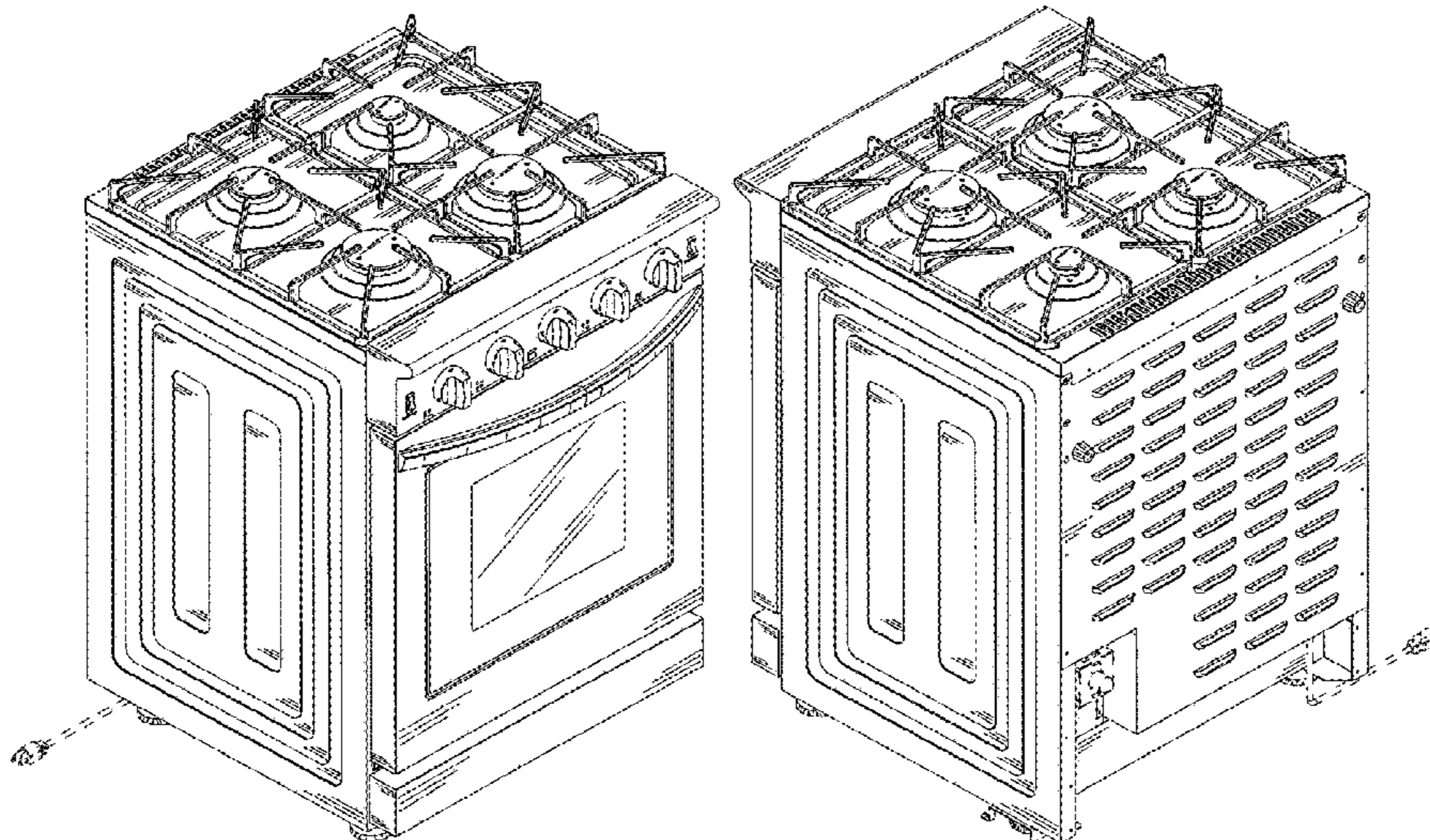
(57) **CLAIM**

The ornamental design for an oven, as shown and described.

**DESCRIPTION**

FIG. 1 is a front elevational view of an oven showing my new design;  
FIG. 2 is a rear elevational view thereof;  
FIG. 3 is a left side view thereof;  
FIG. 4 is a right side view thereof;  
FIG. 5 is a top plan view thereof;  
FIG. 6 is a bottom plan view thereof;  
FIG. 7 is a perspective view thereof; and,  
FIG. 8 is another perspective view thereof.  
The broken lines in the drawings depict portions of the oven that form no part of the claimed design.

**1 Claim, 8 Drawing Sheets**



(56)

**References Cited**

U.S. PATENT DOCUMENTS

2011/0139142 A1\* 6/2011 Schalueck ..... F24C 3/087  
126/39 E  
2013/0327314 A1\* 12/2013 Green ..... F24C 15/10  
126/39 B  
2015/0292747 A1\* 10/2015 Daughtridge, Jr. .... F24C 3/126  
126/39 B  
2019/0003718 A1\* 1/2019 Lee ..... F24C 15/18  
2019/0041065 A1\* 2/2019 Park ..... F24C 15/168

\* cited by examiner

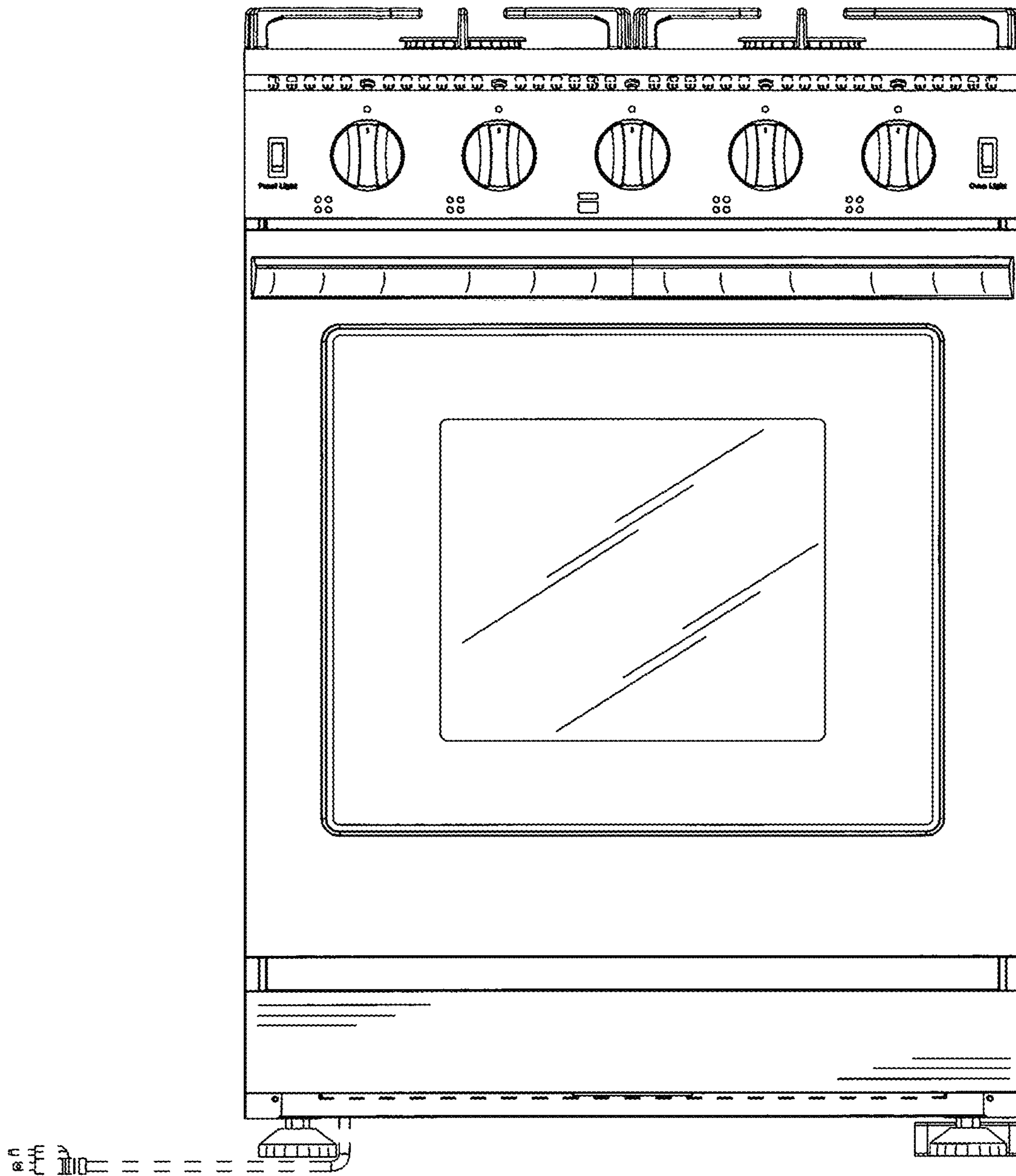


FIG. 1

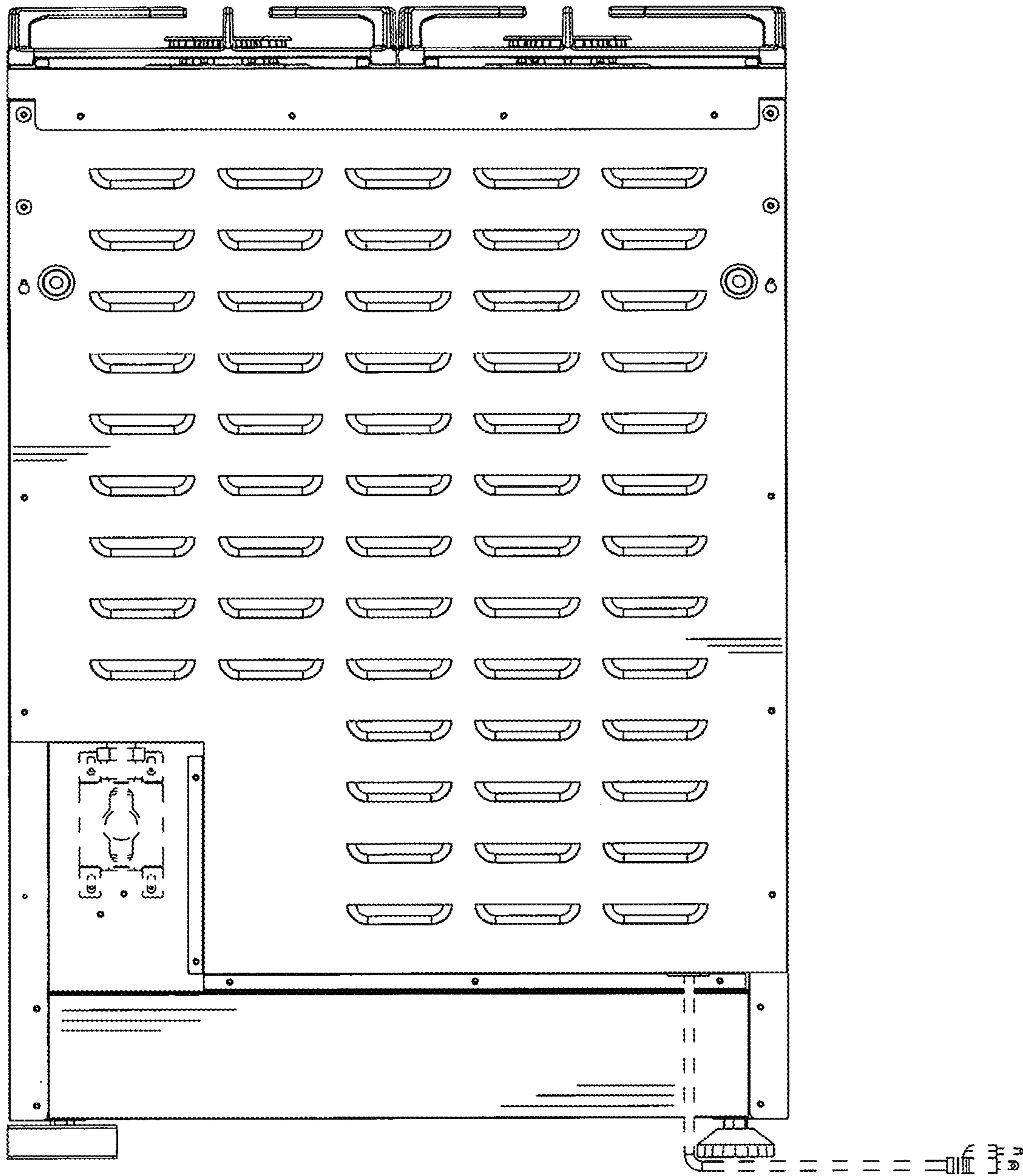


FIG. 2

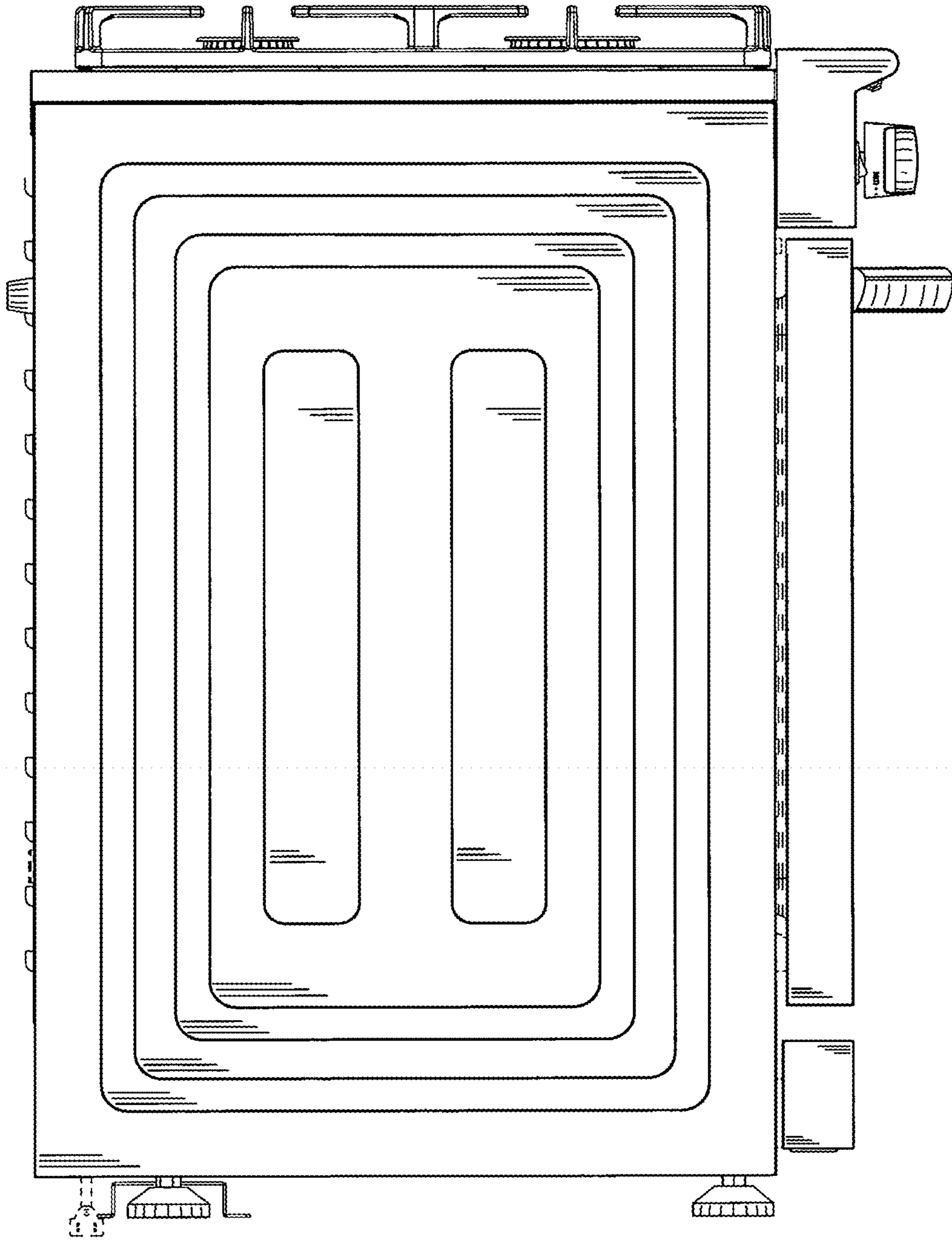


FIG. 3

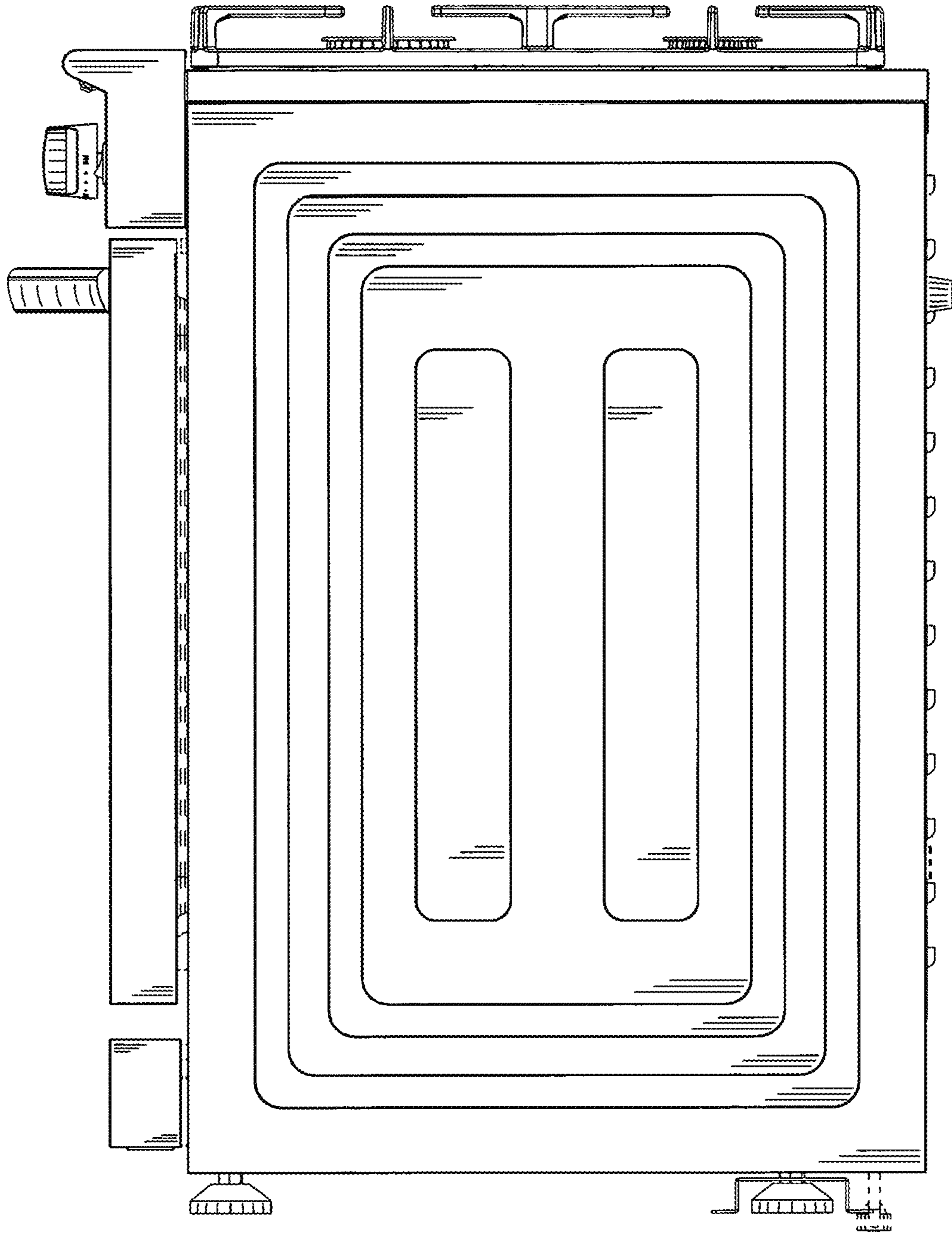


FIG. 4

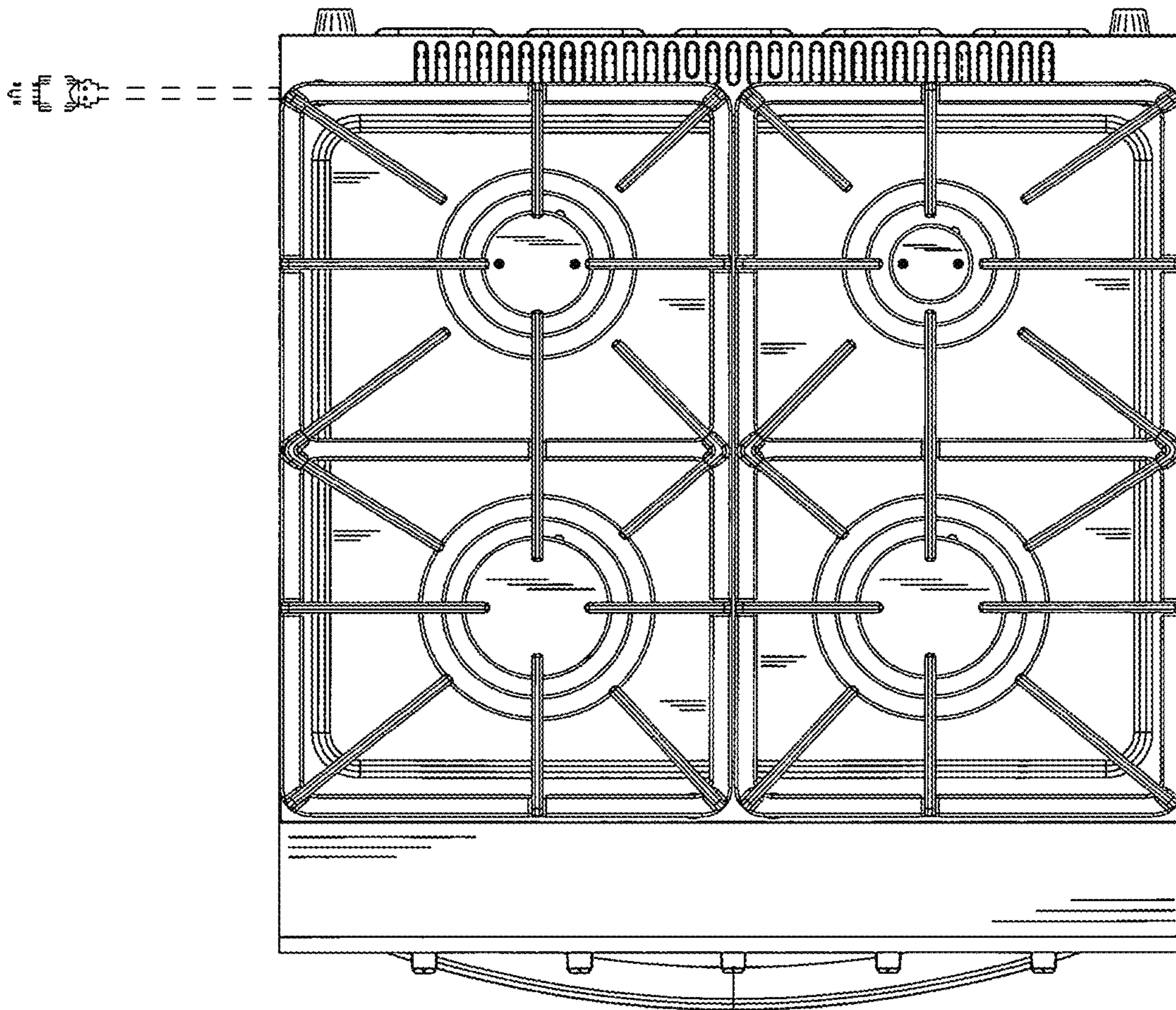


FIG. 5

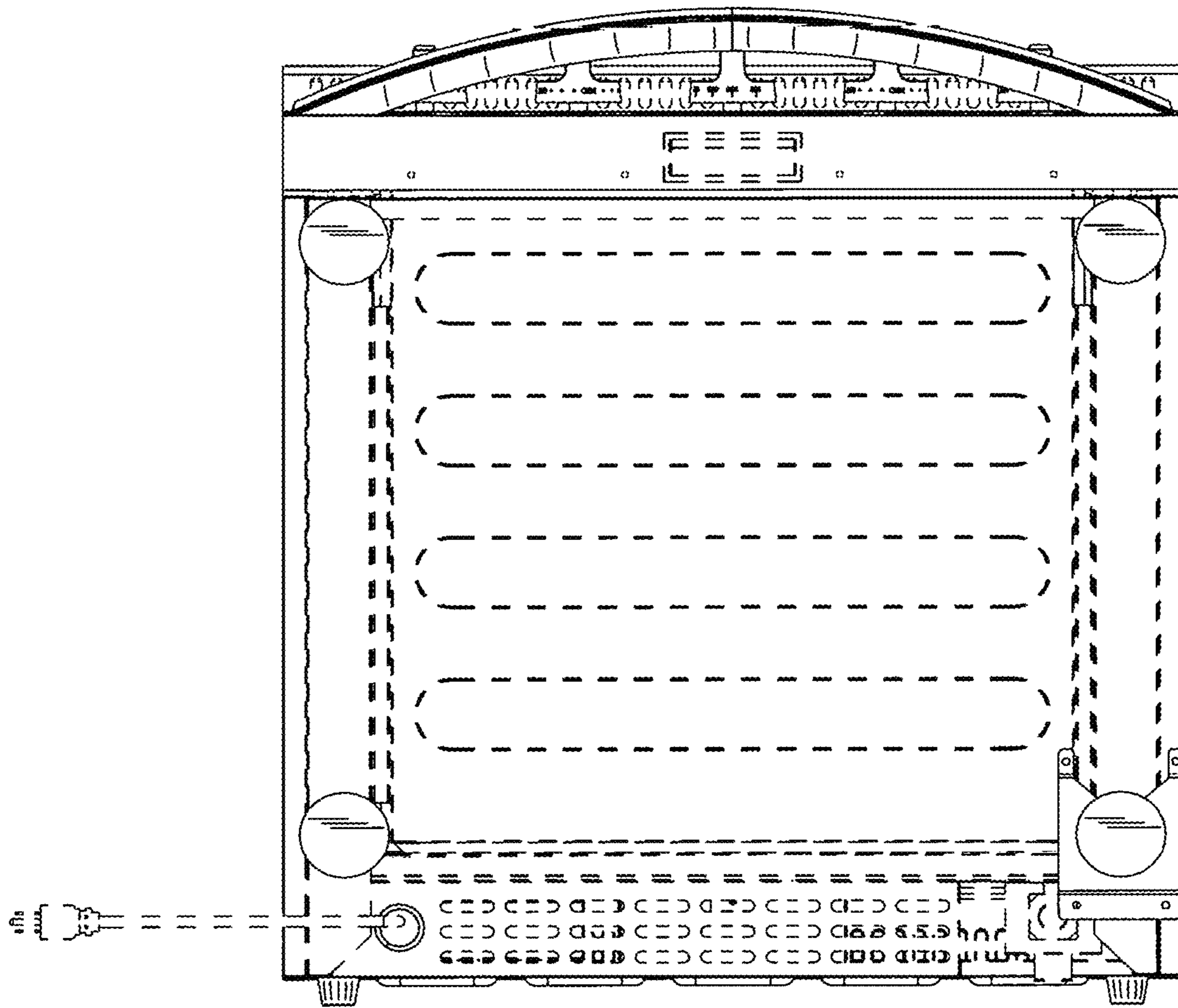


FIG. 6



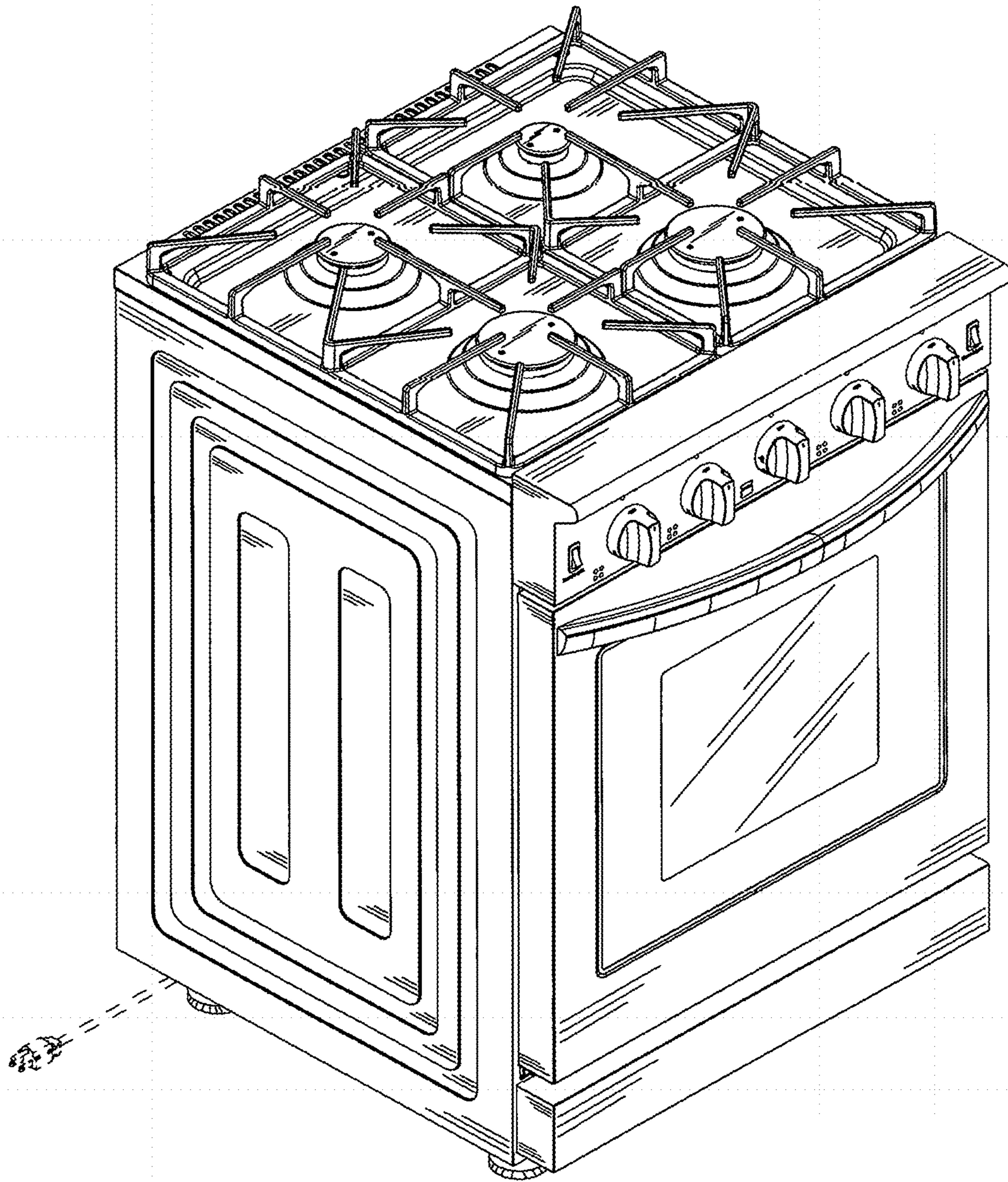


FIG. 7

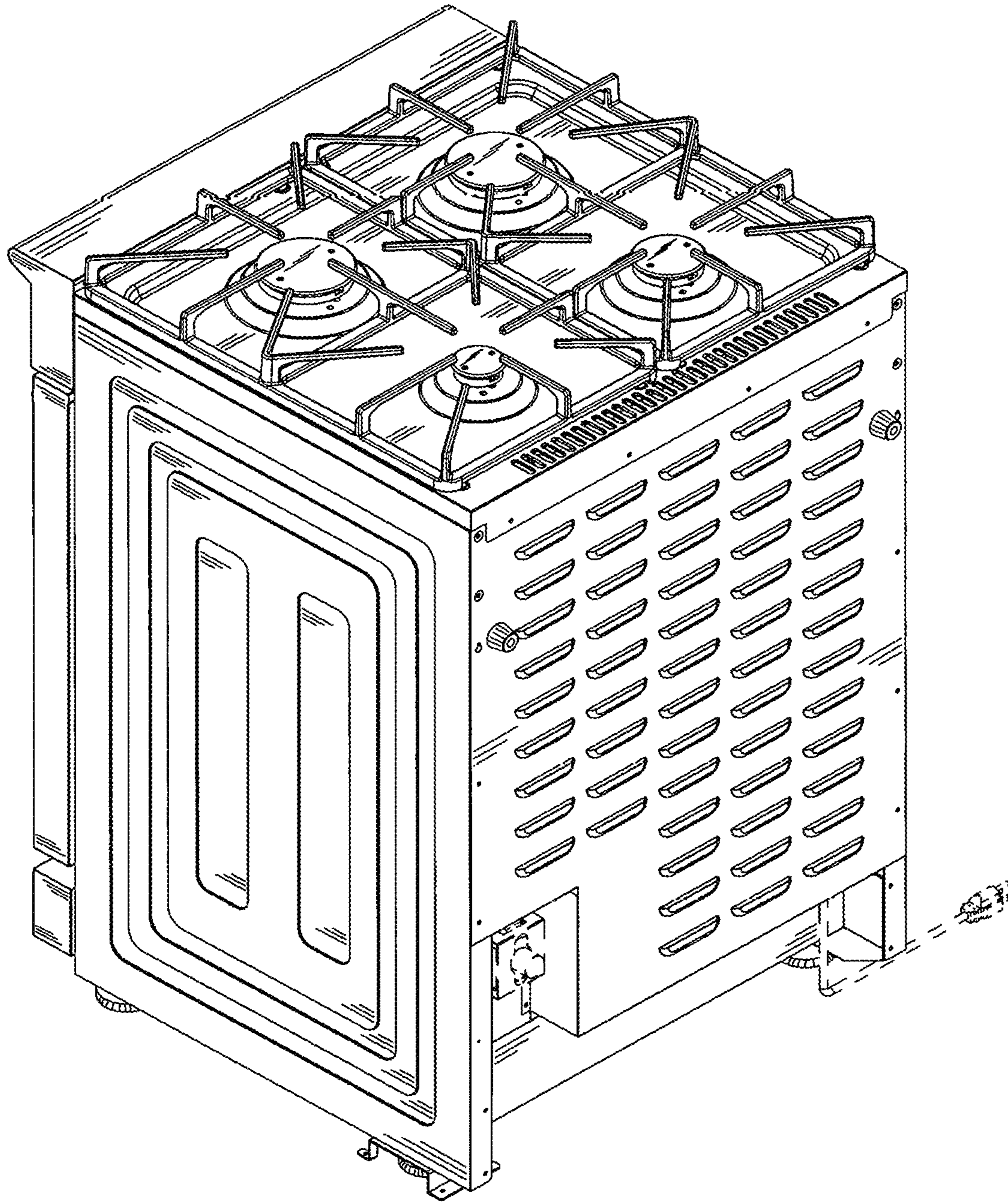


FIG. 8