



US00D918636S

(12) **United States Design Patent**  
**Mangiarotti et al.**

(10) **Patent No.: US D918,636 S**

(45) **Date of Patent: \*\* May 11, 2021**

(54) **MILK FROTHING MACHINE**

CPC .... A47J 31/4496; A47J 43/0716; A47J 31/46;  
A47J 43/085; A47J 2043/04409; A23C  
2210/30

(71) Applicant: **SMEG S.p.A.**, Guastalla (IT)

See application file for complete search history.

(72) Inventors: **Raffaella Mangiarotti**, Milan (IT);  
**Leopoldo Bazzicalupo**, Sale Marasino  
(IT)

(56) **References Cited**

U.S. PATENT DOCUMENTS

(73) Assignee: **SMEG S.p.A.**

D630,467 S \* 1/2011 Harrod ..... D7/376  
D817,080 S \* 5/2018 Seidl ..... D7/377  
D876,148 S \* 2/2020 Jing ..... D7/318  
2018/0206677 A1\* 7/2018 Ivarsson ..... A47J 27/004

(\*\*) Term: **15 Years**

\* cited by examiner

(21) Appl. No.: **35/508,527**

*Primary Examiner* — Michael A. Pratt

(22) Filed: **Aug. 6, 2019**

(74) *Attorney, Agent, or Firm* — The Belles Group, P.C.

(80) **Hague Agreement Data**

(57) **CLAIM**

Int. Filing Date: **Aug. 6, 2019**

The ornamental design for a milk frothing machine, as shown and described.

Int. Reg. No.: **DM/204323**

Int. Reg. Date: **Aug. 6, 2019**

**DESCRIPTION**

Int. Reg. Pub. Date: **Feb. 28, 2020**

(30) **Foreign Application Priority Data**

Feb. 6, 2019 (EM) ..... 006181004-0001

(51) **LOC (13) Cl.** ..... **07-01**

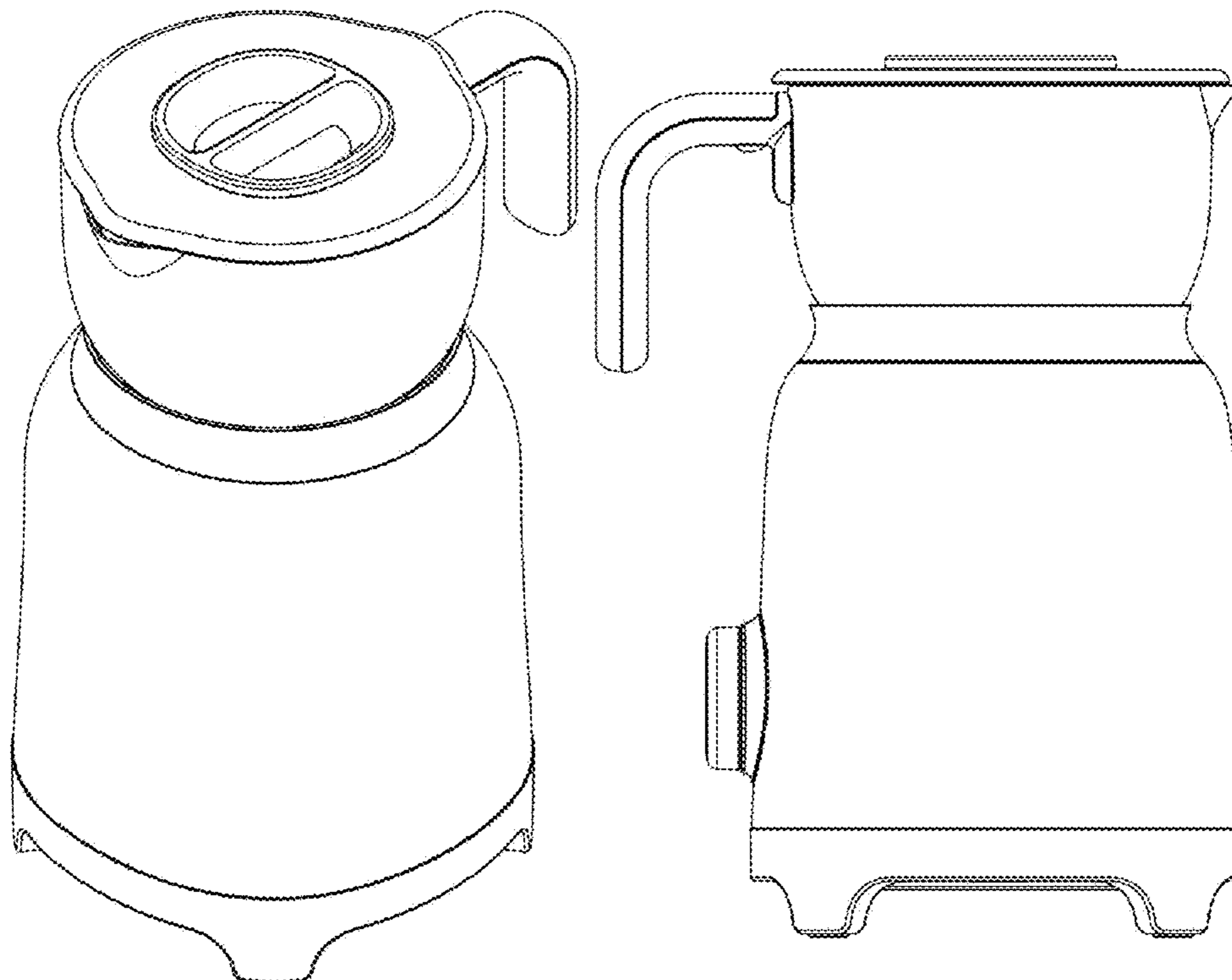
(52) **U.S. Cl.**  
USPC ..... **D7/318**

(58) **Field of Classification Search**  
USPC ..... D7/300, 305, 312, 397, 399, 316-319,  
D7/321, 598, 600, 602, 619.1; D9/516,  
D9/527, 528, 544, 545, 547, 549

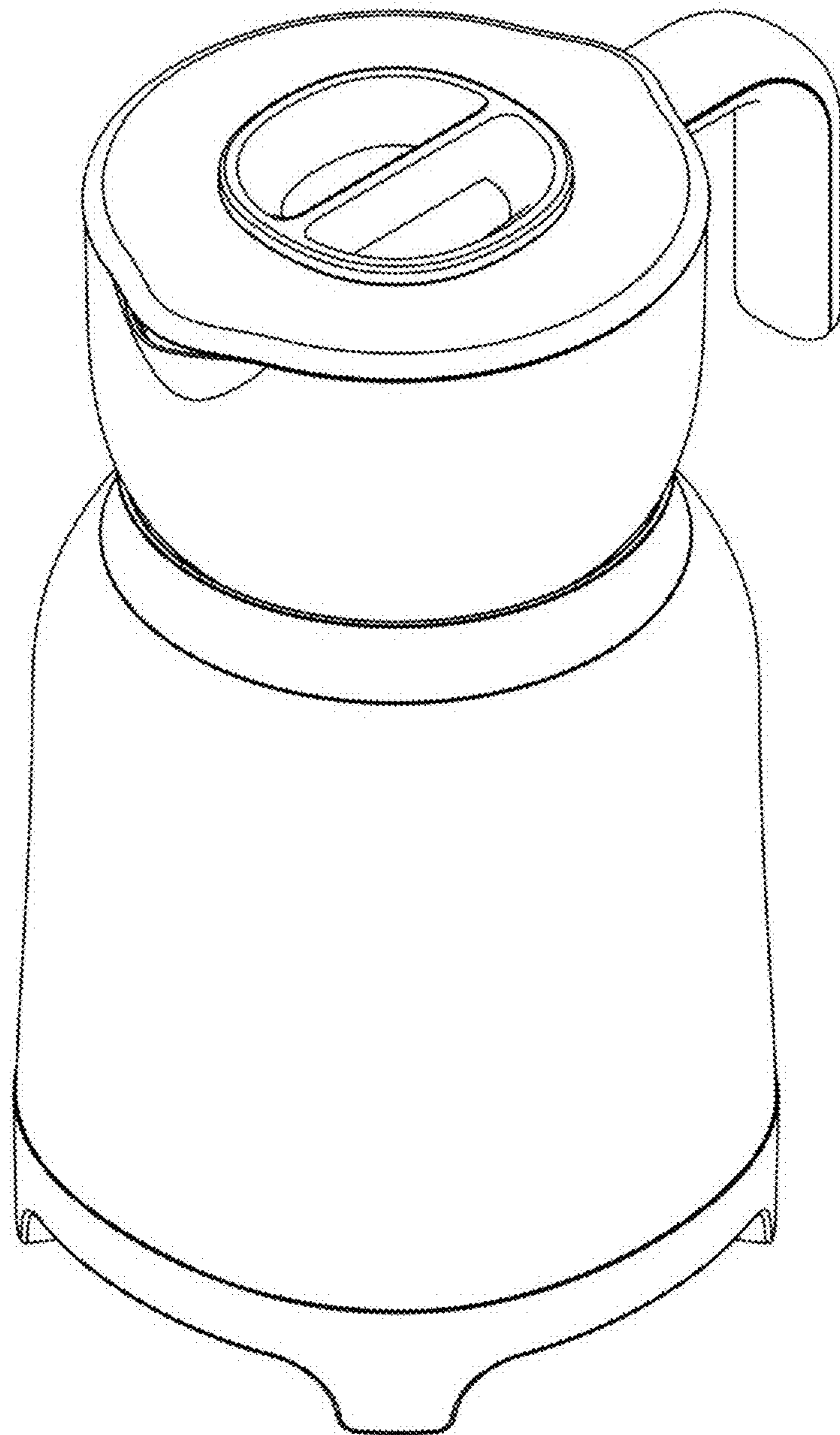
- 1. Milk frothing machine
- 1.1 : Front-side perspective view
- 1.2 : Right
- 1.3 : Left
- 1.4 : Rear view
- 1.5 : Front
- 1.6 : Top plan view
- 1.7 : Bottom

The broken line shown is for the purpose of illustrating portions of the milk frothing machine and forms no part of the claimed design.

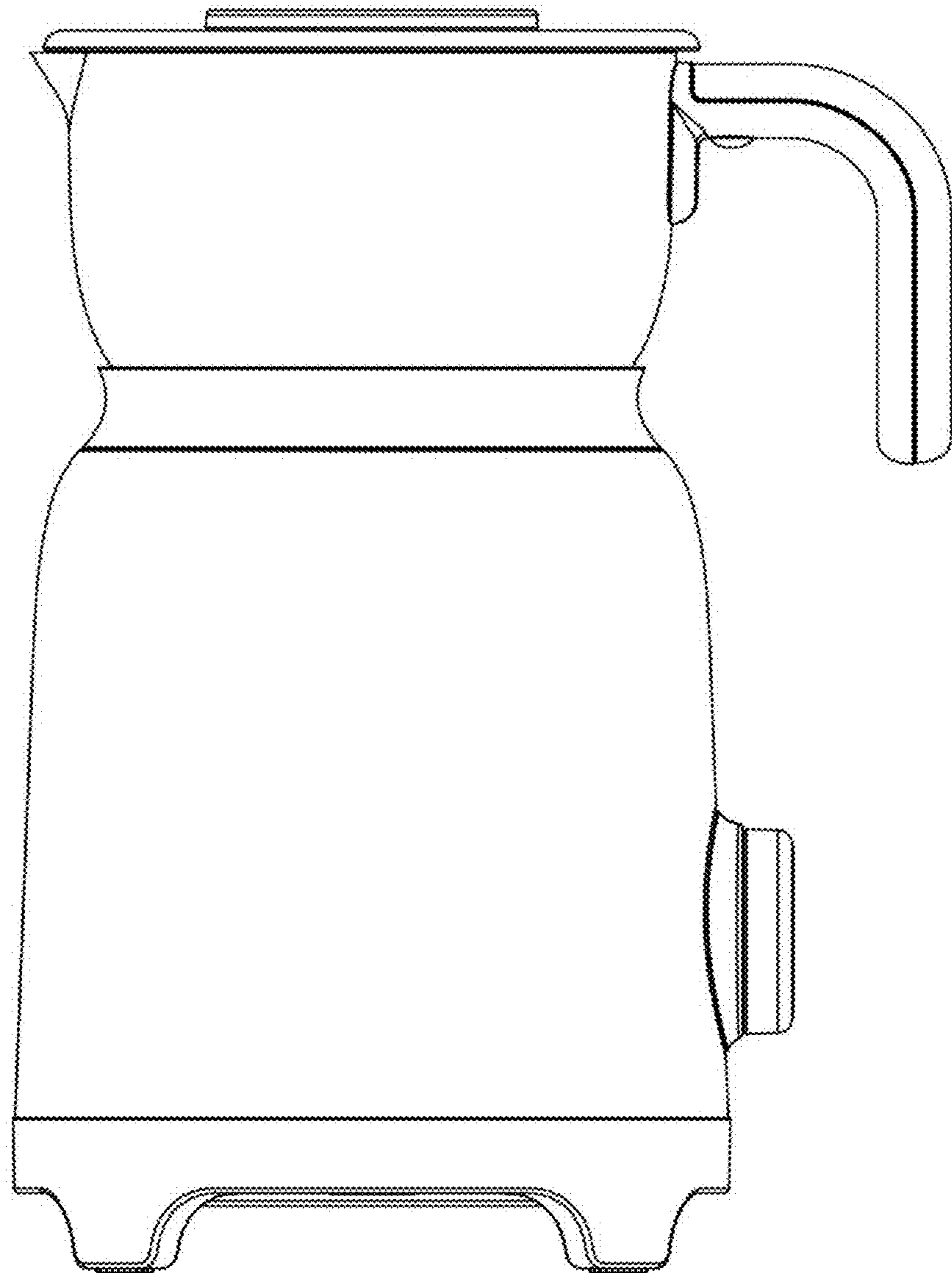
**1 Claim, 7 Drawing Sheets**



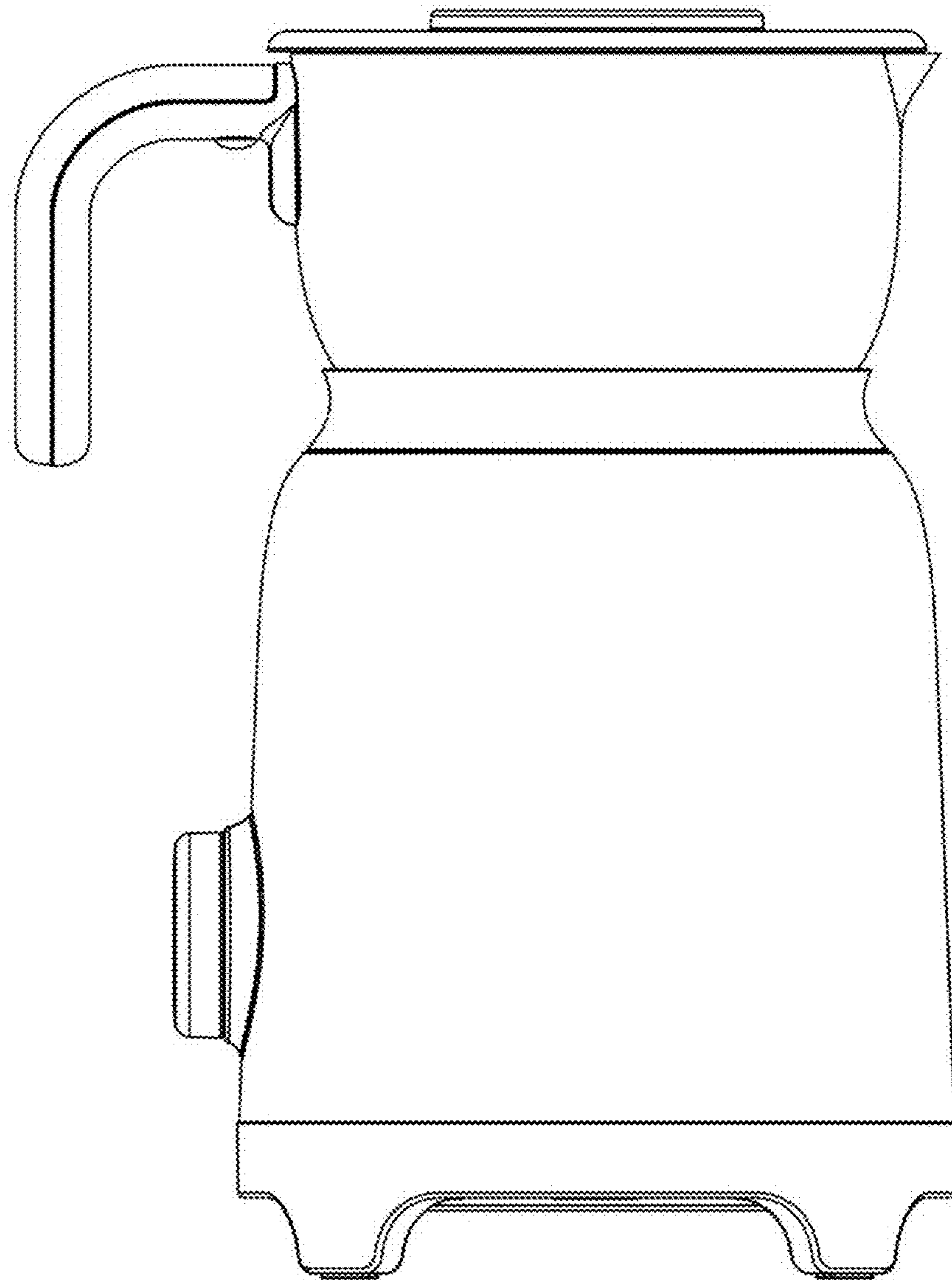
1.1



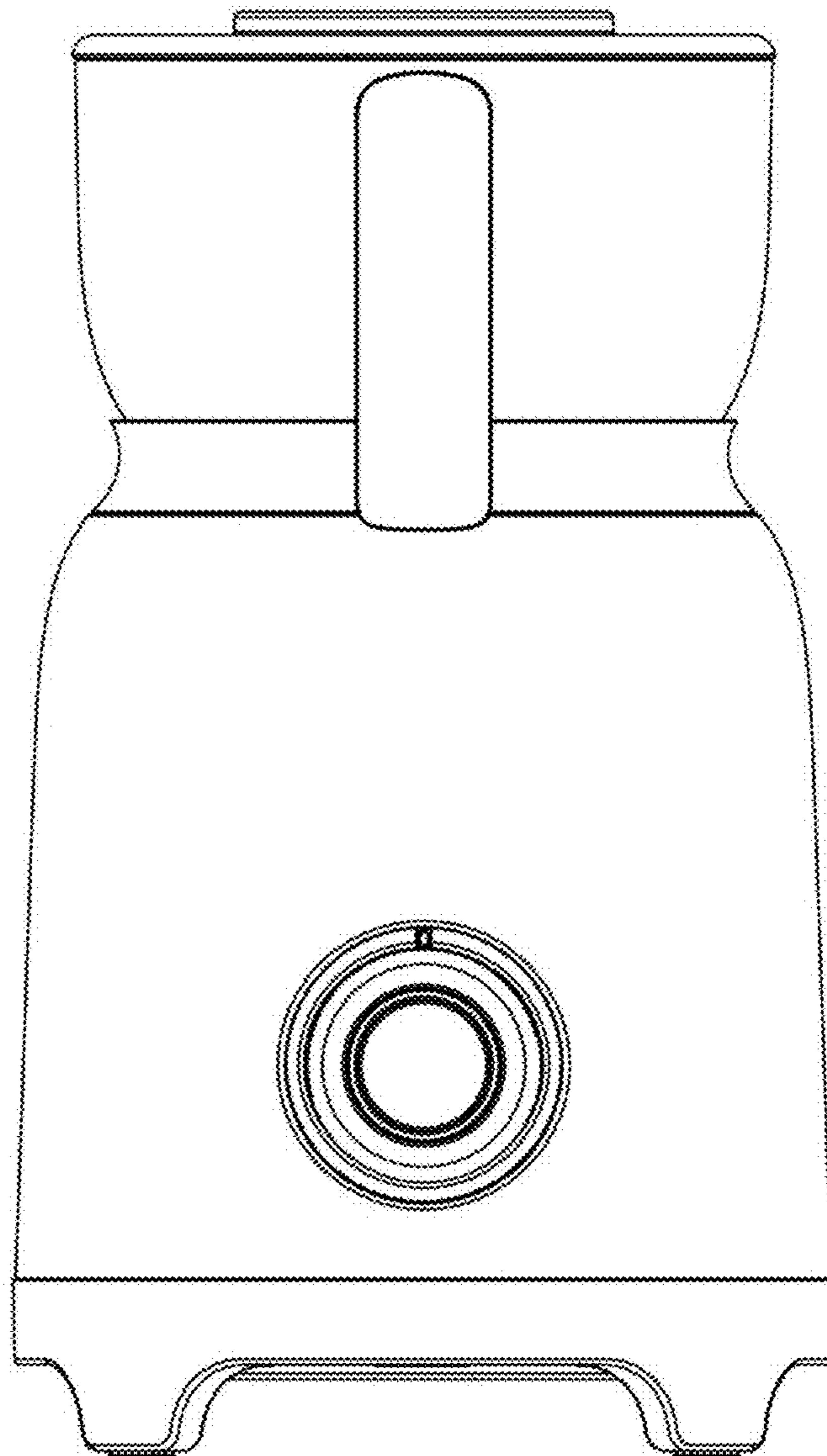
1.2



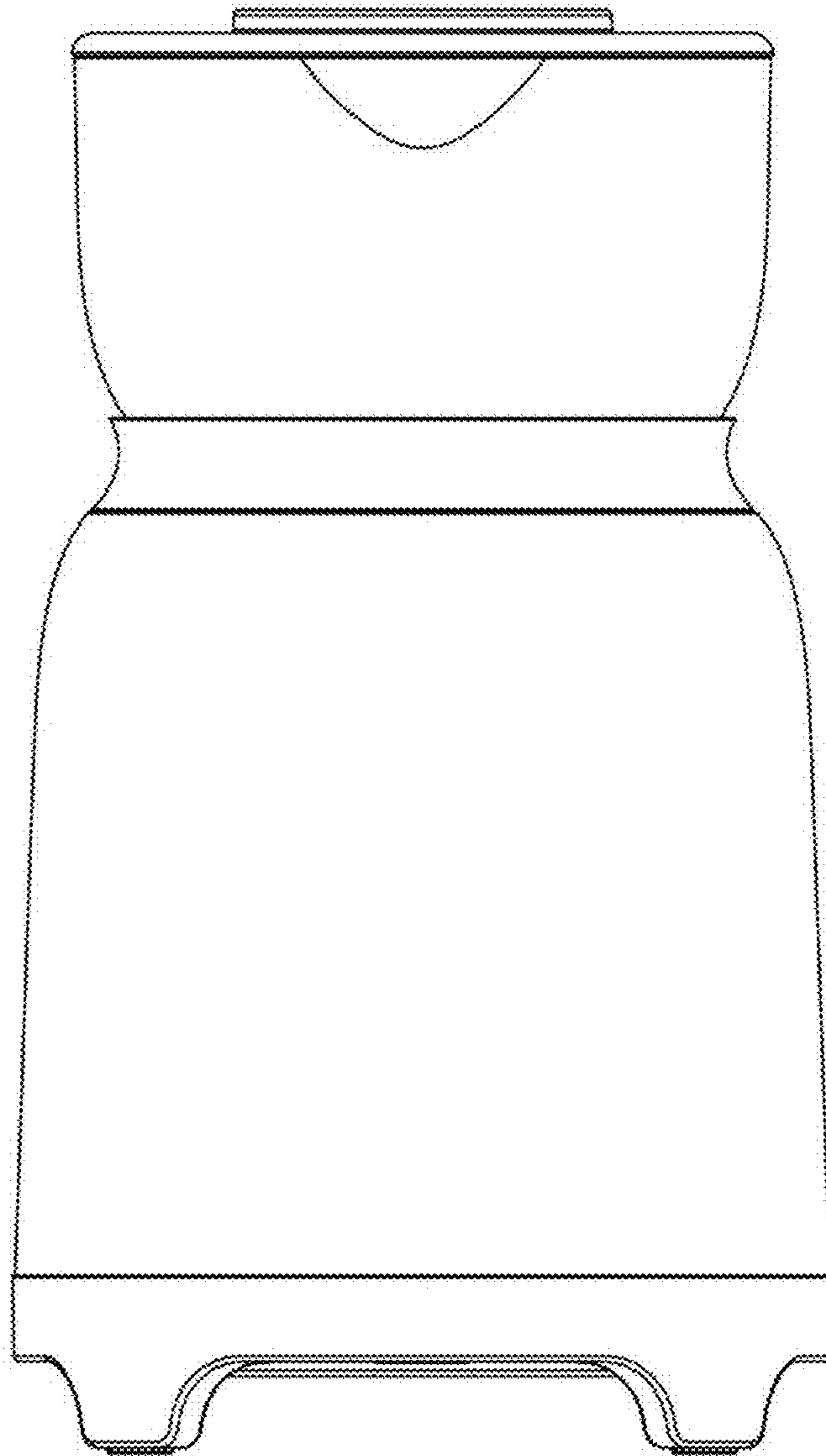
1.3



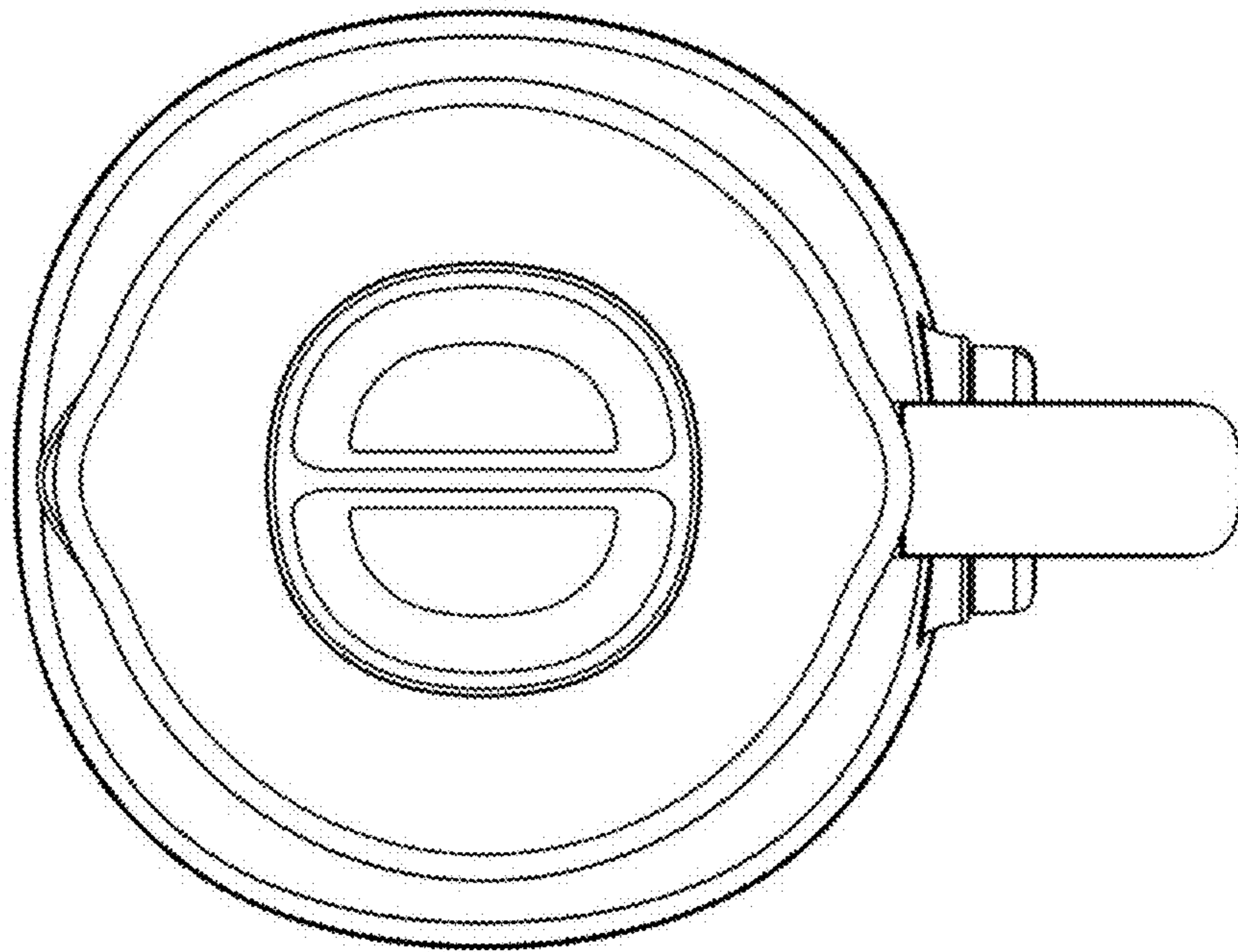
1.4



1.5



1.6



1.7

