



US00D918635S

(12) **United States Design Patent** (10) **Patent No.:** **US D918,635 S**
Donati (45) **Date of Patent:** **** May 11, 2021**

(54) **SEAT MECHANISM**
(71) Applicant: **DONATI S.P.A.**, Brescia (IT)
(72) Inventor: **Armando Donati**, Brescia (IT)
(73) Assignee: **DONATI S.p.A.**, Brescia (IT)
(**) Term: **15 Years**

D550,989 S * 9/2007 Donati D6/716.7
D550,990 S * 9/2007 Donati D6/716.7
D550,991 S * 9/2007 Donati D6/716.7
D719,774 S * 12/2014 Brooks D6/716.7
D859,901 S * 9/2019 Costaglia D6/716.7
D871,815 S * 1/2020 Costaglia D6/716.7
D899,168 S * 10/2020 Bock A47C 1/03255
D6/716.7
D899,169 S * 10/2020 Platt D6/716.7
2019/0343284 A1 * 11/2019 Ni A47C 1/03255

(21) Appl. No.: **35/508,179**

* cited by examiner

(22) Filed: **Oct. 31, 2019**

Primary Examiner — Mary Ann Calabrese

(80) **Hague Agreement Data**

(74) *Attorney, Agent, or Firm* — Thomas | Horstemeyer, LLP

Int. Filing Date: **Oct. 31, 2019**
Int. Reg. No.: **DM/204755**
Int. Reg. Date: **Oct. 31, 2019**
Int. Reg. Pub. Date: **Dec. 20, 2019**

(57) **CLAIM**

(30) **Foreign Application Priority Data**

The ornamental design for a seat mechanism, as shown and described.

May 7, 2019 (WO) DM/201796

(51) **LOC (13) Cl.** **06-06**

(52) **U.S. Cl.**
USPC **D6/716.7**

DESCRIPTION

(58) **Field of Classification Search**
USPC D6/334, 365–368, 716, 716.7
CPC A47C 1/0325; A47C 3/00; A47C 3/18;
A47C 3/20; A47C 5/00; A47C 7/00;
A47C 7/002; A47C 7/02; A47C 7/004;
A47C 7/006

1.1 is a bottom perspective view of a seat mechanism, showing my new design;
1.2 is a top perspective view thereof;
1.3 is a left view thereof;
1.4 is a right view thereof;
1.5 is a front view thereof;
1.6 is a rear view thereof;
1.7 is a top view thereof; and
1.8 is a bottom view thereof.

See application file for complete search history.

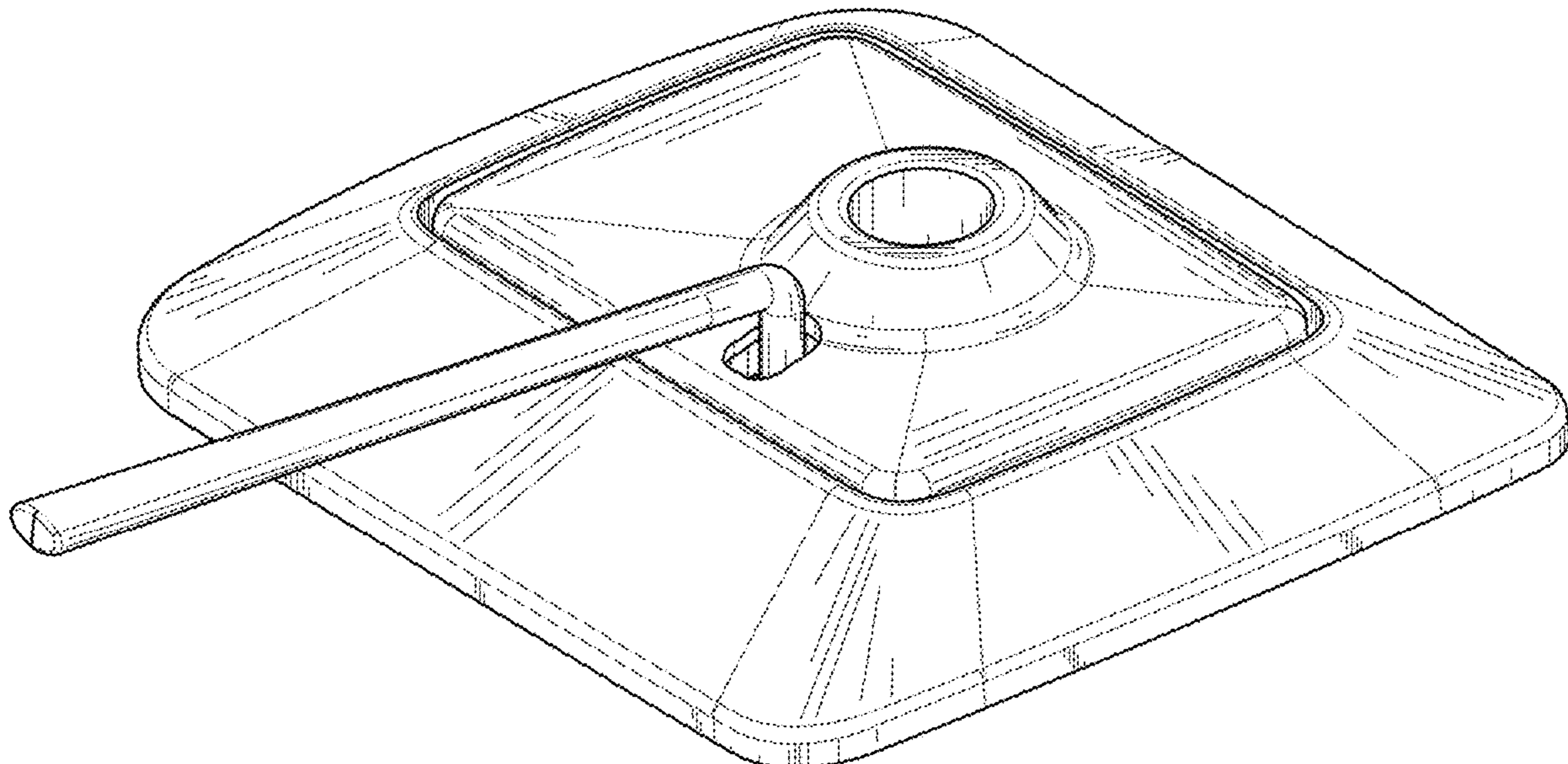
(56) **References Cited**

The broken lines show portions of the seat mechanism that form no part of the claimed design.

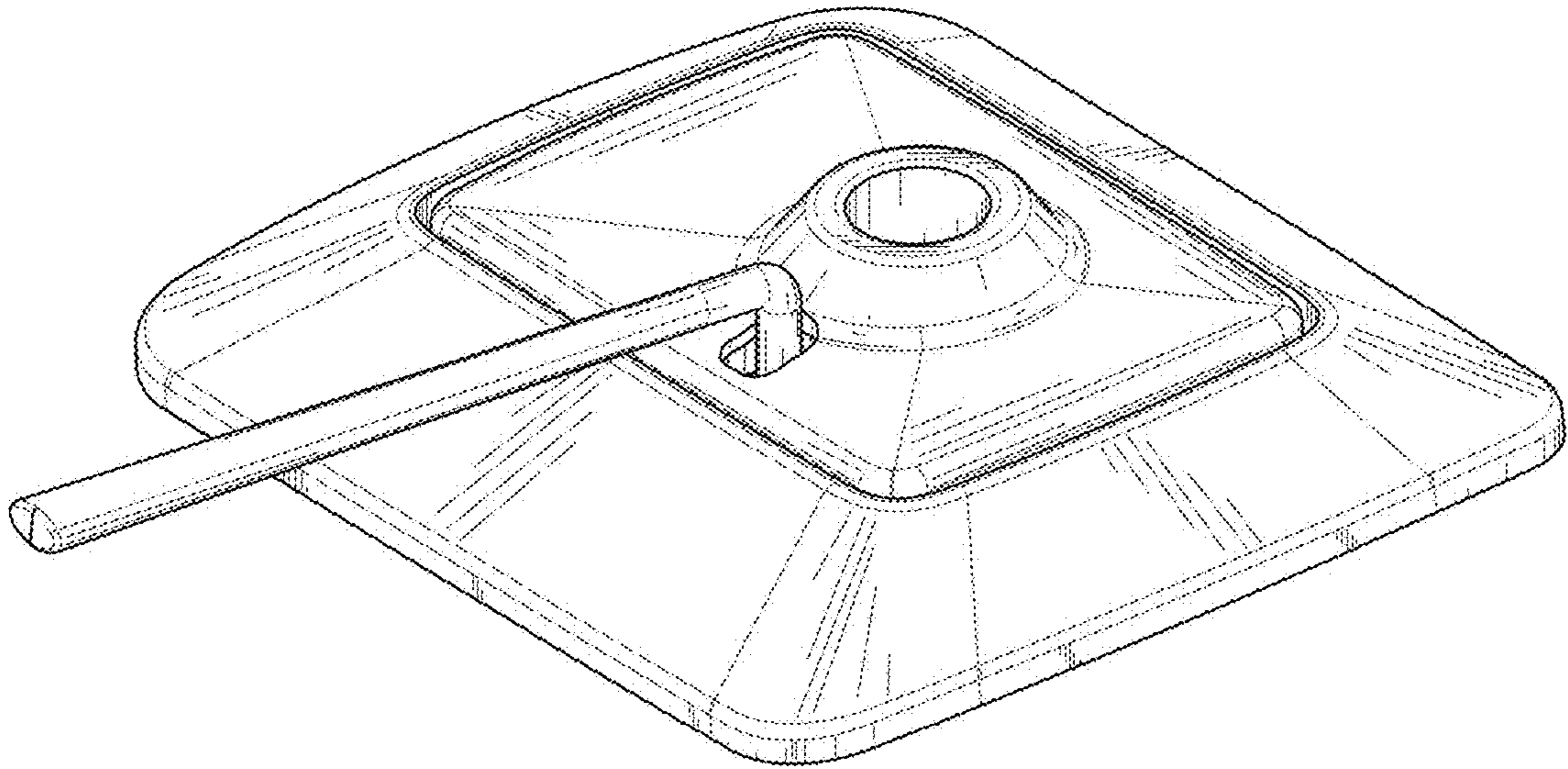
U.S. PATENT DOCUMENTS

D285,633 S * 9/1986 Doerner D6/716.7
D549,016 S * 8/2007 Donati D6/716.7

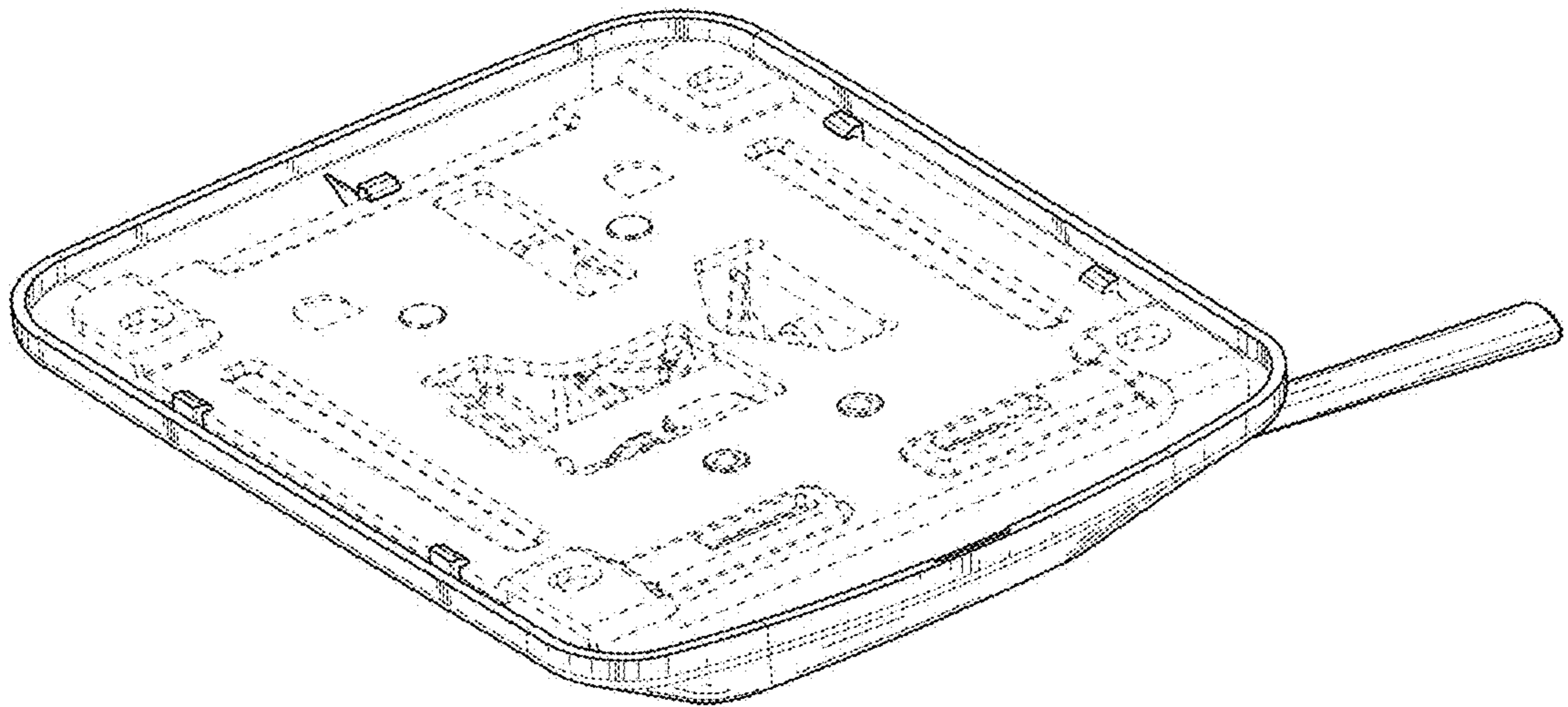
1 Claim, 8 Drawing Sheets



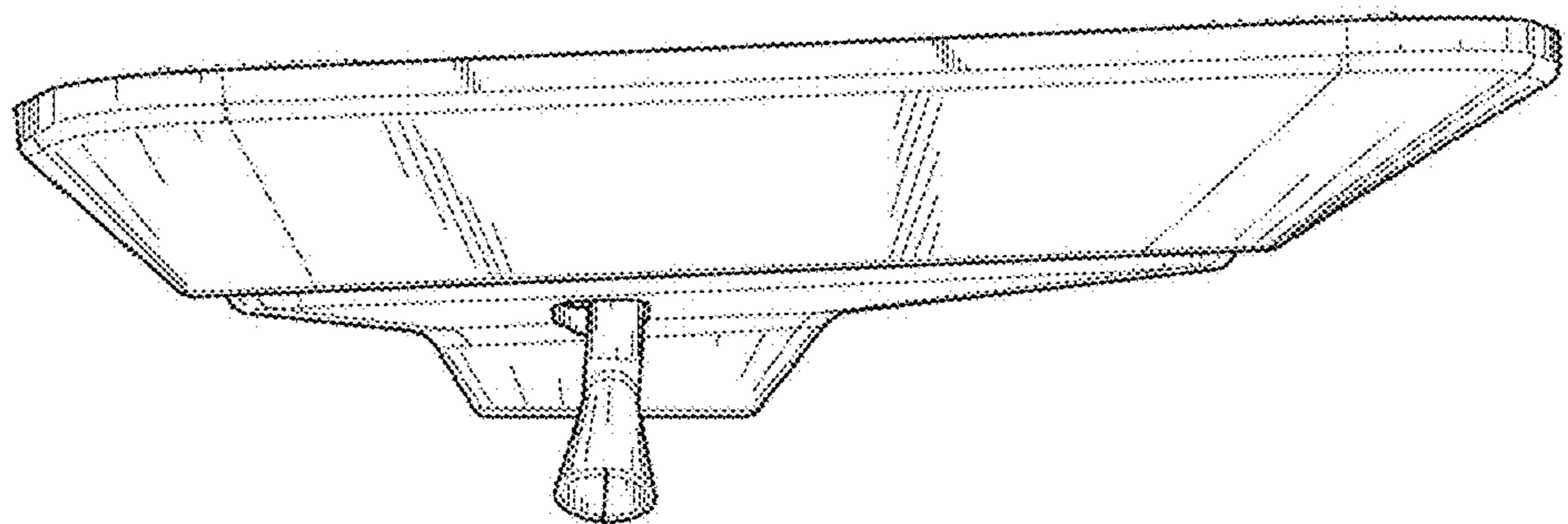
1.1



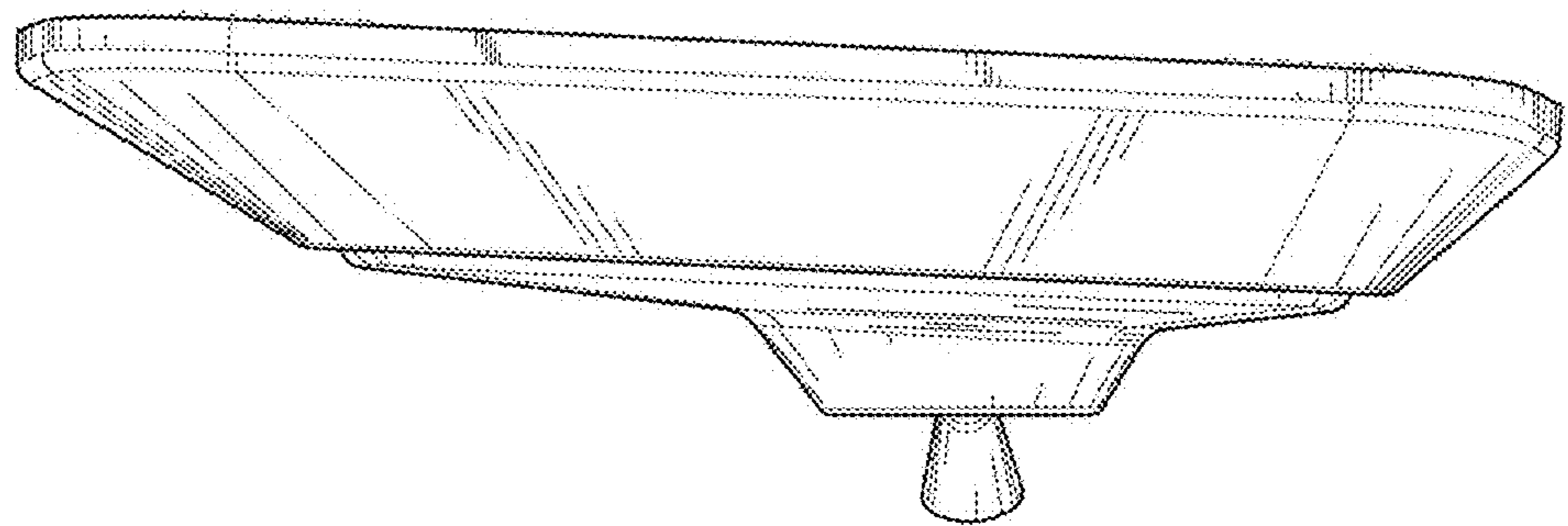
1.2



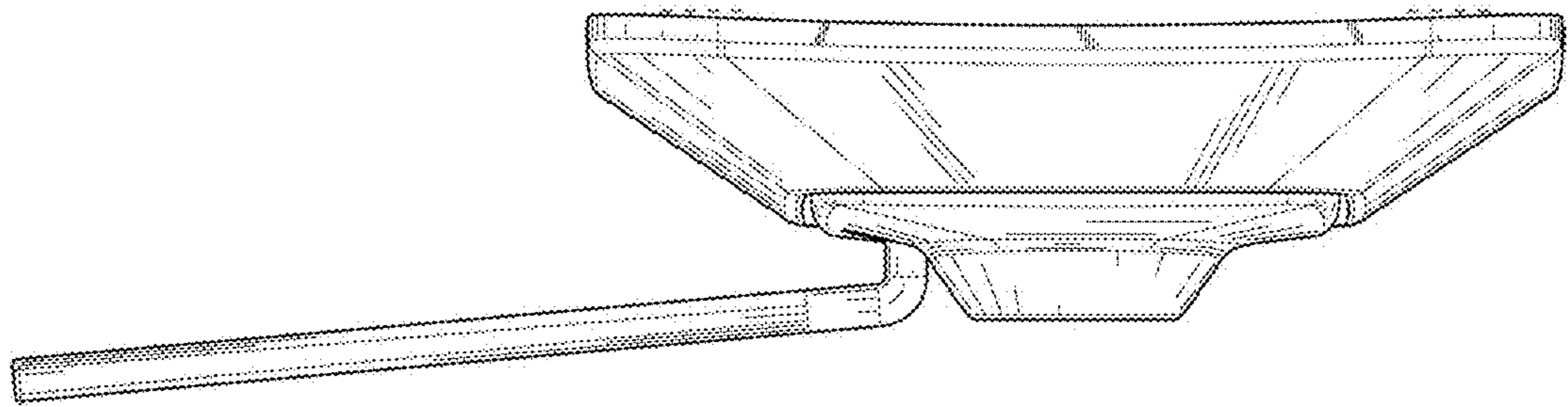
1.3



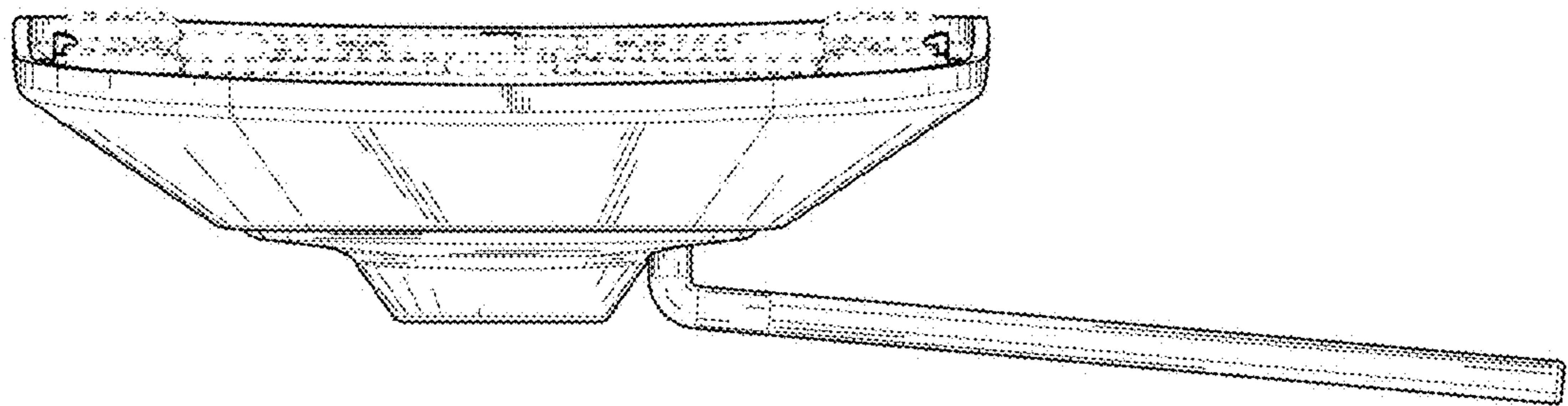
1.4



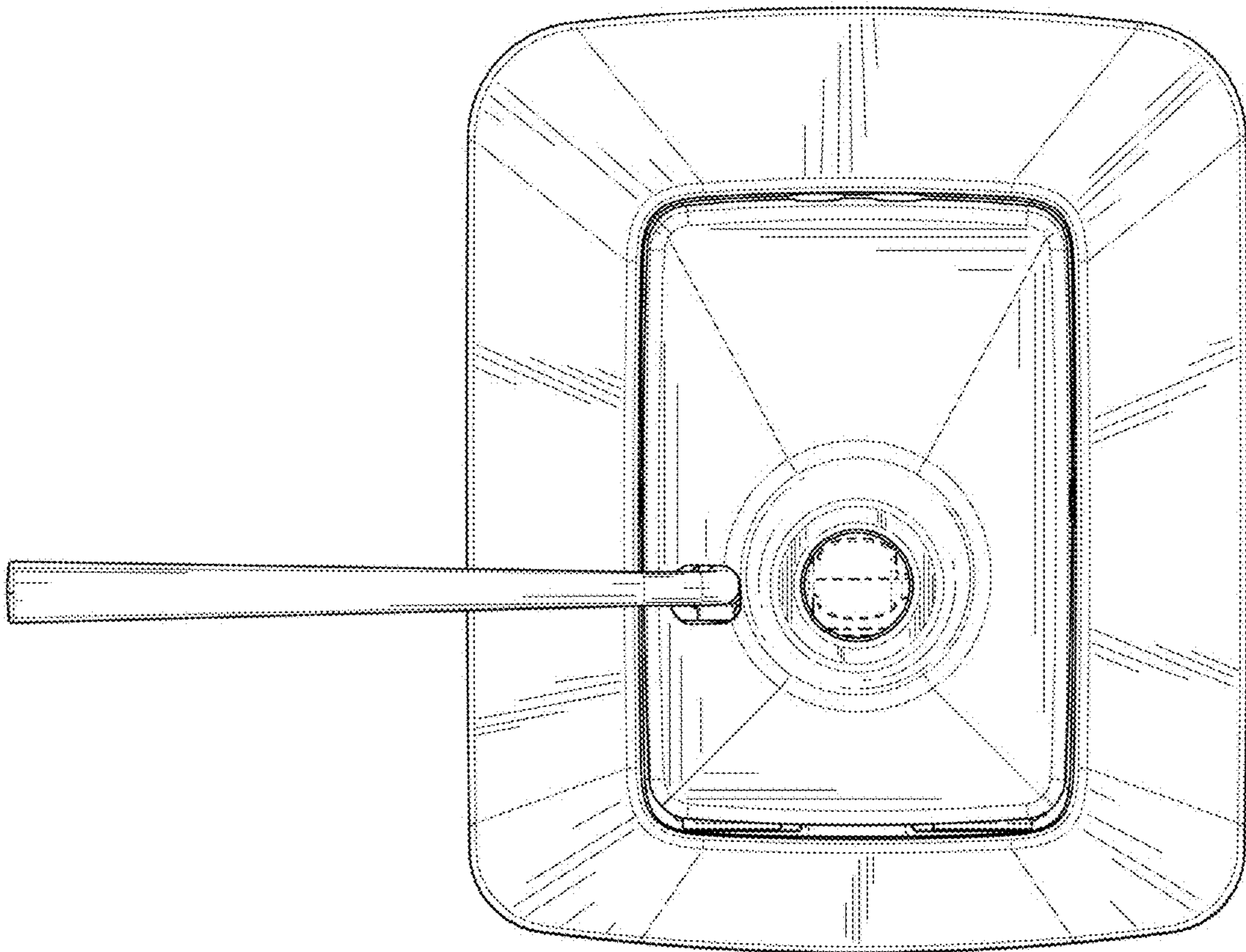
1.5



1.6



1.7



1.8

