



US00D918634S

(12) **United States Design Patent**
Peng

(10) **Patent No.:** **US D918,634 S**

(45) **Date of Patent:** **** May 11, 2021**

(54) **CHAIR**

(71) Applicant: **VANILLA SKY INC.**, Azusa, CA (US)

(72) Inventor: **Xiaofei Peng**, Shanghai (CN)

(**) Term: **15 Years**

(21) Appl. No.: **29/692,010**

(22) Filed: **May 21, 2019**

(51) **LOC (13) Cl.** **06-04**

(52) **U.S. Cl.**
USPC **D6/716.1**

(58) **Field of Classification Search**

USPC D6/365, 366, 716, 334, 363, 364, 716.1
CPC A47C 7/02; A47C 7/40; A47C 7/44; A47C
7/46; A47C 7/445; A47C 31/023; B60N
2/0284; B60N 2/062; B60N 2/24; B60N
2/58; B60N 2/64; B60N 2/68; B60N
2/80; B60N 2/99; B60N 2/245; B60N
2/643; B60N 2/646; B60N 2/665; B60N
2/686; B60N 2/688; B60N 2/803; B60N
2/986; B60N 2/914; B60N 2/995; B60R
22/001; F16B 2/08; F16B 45/00

See application file for complete search history.

(56) **References Cited**

U.S. PATENT DOCUMENTS

D275,430 S * 9/1984 Ochsner D6/366
D292,351 S * 10/1987 Brossard D6/366
D468,119 S * 1/2003 Zaidman D6/365
D509,671 S * 9/2005 Olson D6/366
D532,211 S * 11/2006 Su D6/366
D542,547 S * 5/2007 Su D6/366
D543,040 S * 5/2007 Hara D6/366
D587,476 S * 3/2009 Lenterman D6/366
D609,023 S * 2/2010 Yamanaka D6/366
D650,617 S * 12/2011 Chen D6/366
D693,586 S * 11/2013 Lenterman D6/366
D707,459 S * 6/2014 Ma D6/366
9,573,503 B2 * 2/2017 Nie B60N 2/986

9,637,035 B2 * 5/2017 Abe B60N 2/646
9,802,514 B2 * 10/2017 Troyer B60N 2/24
D801,717 S * 11/2017 Barber D6/366
9,840,170 B2 * 12/2017 Fujita B60N 2/68

(Continued)

OTHER PUBLICATIONS

Miller, Christopher. "Killabee Big And Tall 350 Lb Gaming Chair Review" May 13, 2018, ultimategamechair.com, site visited Jan. 25, 2020 <<https://www.ultimategamechair.com/killabee-350lb-gaming-chair-review/>> (Year: 2018).*

Primary Examiner — Kevin K Rudzinski

Assistant Examiner — Paul D Bohannon

(74) *Attorney, Agent, or Firm* — Tommy SF Wang; Wang IP Law Group, P.C.

(57) **CLAIM**

The ornamental design for a chair, as shown and described.

DESCRIPTION

FIG. 1 is a front perspective view of a chair showing my new design;

FIG. 2 is a rear perspective view thereof;

FIG. 3 is a front view thereof;

FIG. 4 is a rear view thereof;

FIG. 5 is a left side view thereof;

FIG. 6 is a right side view thereof;

FIG. 7 is a top view thereof;

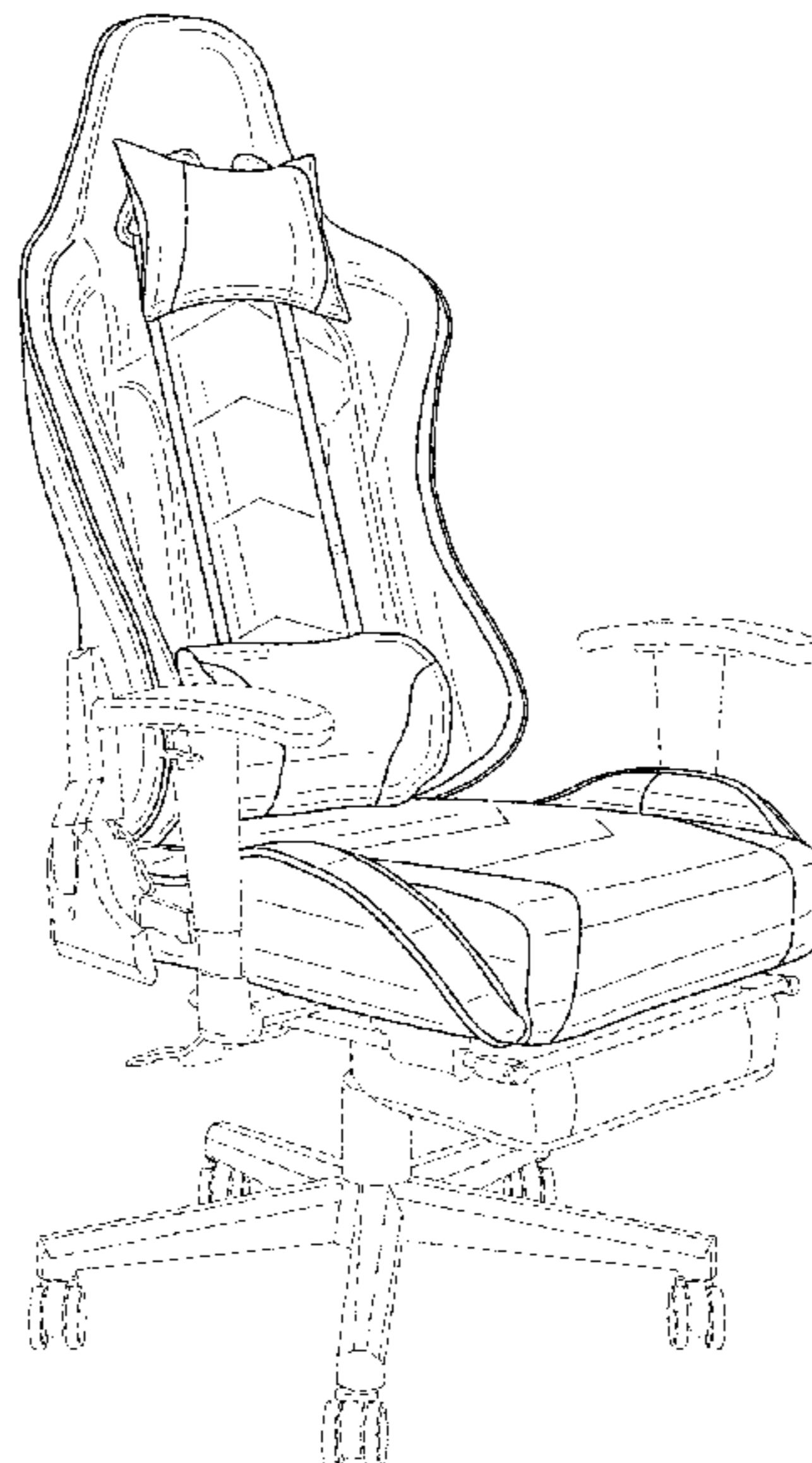
FIG. 8 is a bottom view thereof;

FIG. 9 is another front perspective view showing a footrest of the chair is pulled out; and,

FIG. 10 is the other front perspective view showing a back of the chair is slanted.

The broken lines shown in FIGS. 1-10 are for purpose of illustrating portions of the article and form no part of the claimed design.

1 Claim, 9 Drawing Sheets



(56)

References Cited

U.S. PATENT DOCUMENTS

9,913,539 B2 * 3/2018 Potrykus A47C 31/023
10,059,226 B2 * 8/2018 Inoue B60N 2/68
D827,320 S * 9/2018 Xue D6/366
10,294,979 B2 * 5/2019 Inoue F16B 45/00
D851,435 S * 6/2019 Shen D6/716
D851,436 S * 6/2019 Shen D6/716
D851,974 S * 6/2019 Shen D6/716
10,315,543 B2 * 6/2019 Mizoi B60N 2/99
D852,523 S * 7/2019 Ritzel D6/356
D852,563 S * 7/2019 Shen D6/716
D854,846 S * 7/2019 Shen D6/366
D856,696 S * 8/2019 Shen D6/366
D856,697 S * 8/2019 Shen D6/366
D856,698 S * 8/2019 Shen D6/366
D859,865 S * 9/2019 Berlinches D6/366
D859,866 S 9/2019 Wu
D860,703 S 9/2019 Walker et al.
10,399,472 B2 * 9/2019 Iwakata B60N 2/688
10,406,953 B2 * 9/2019 Tokumoto B60N 2/64
D861,367 S * 10/2019 Shen D6/366
D863,802 S * 10/2019 Wang D6/366
D864,603 S 10/2019 Diffrient et al.
D865,424 S 11/2019 Kinoshita et al.

* cited by examiner

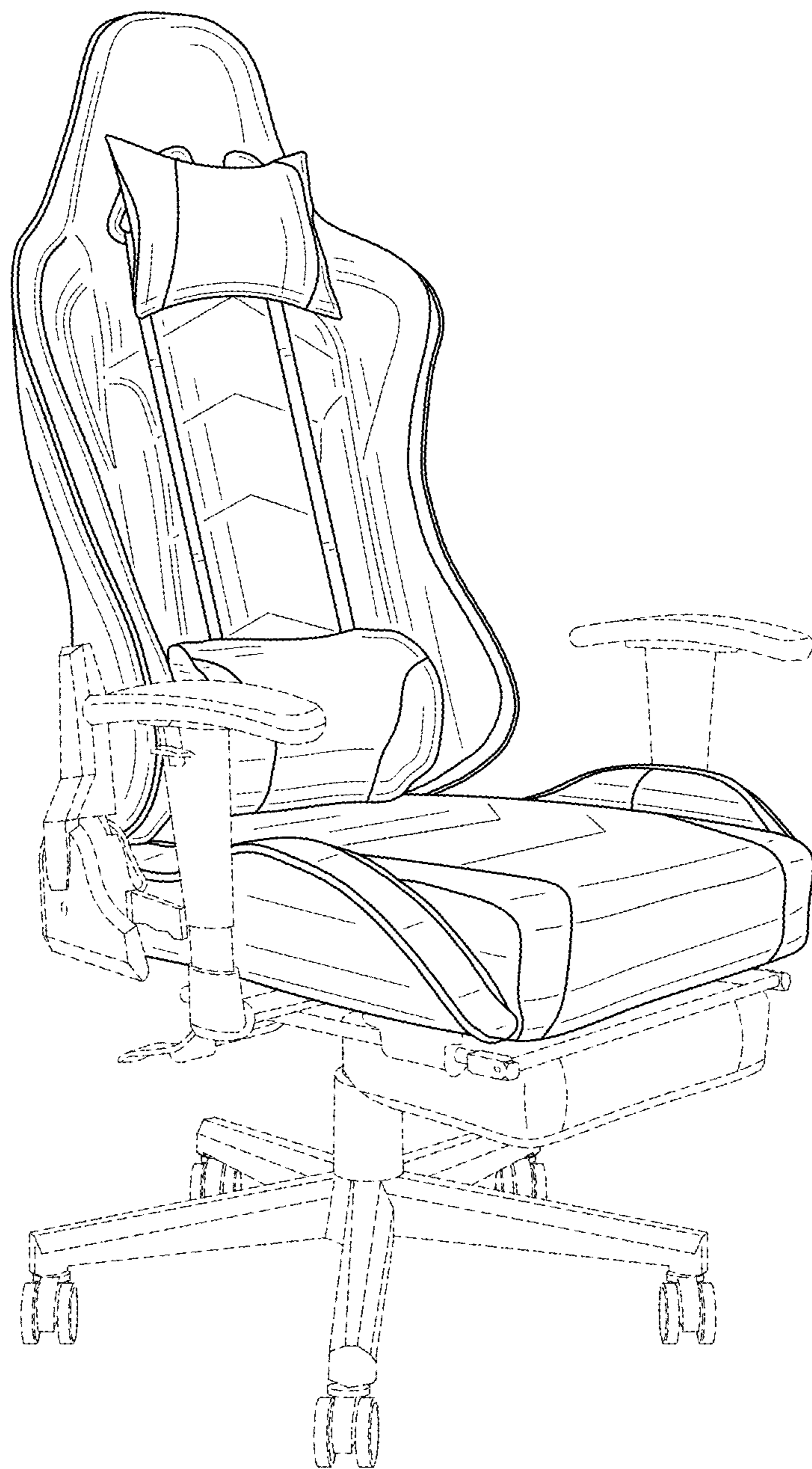


FIG. 1

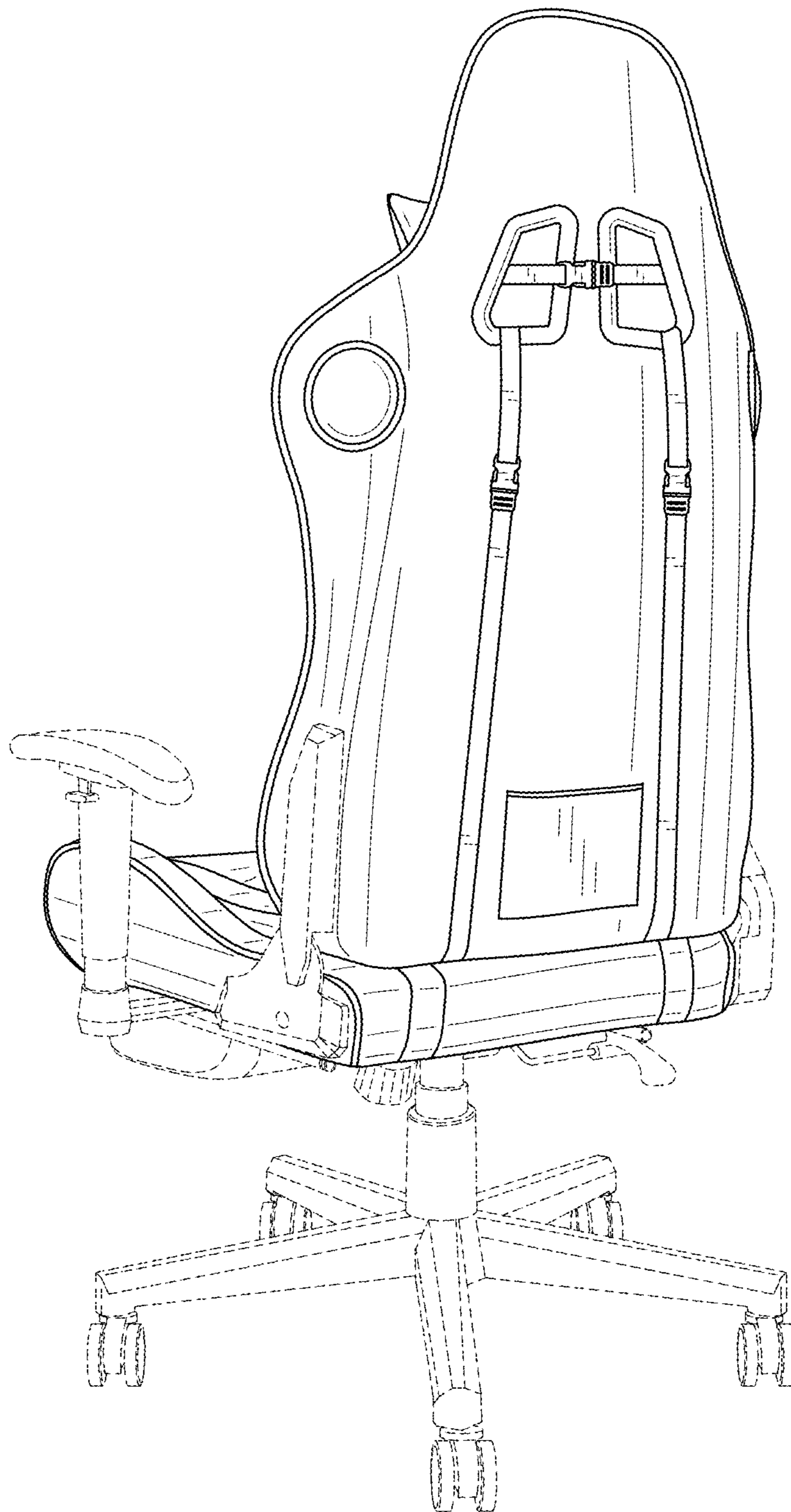


FIG. 2

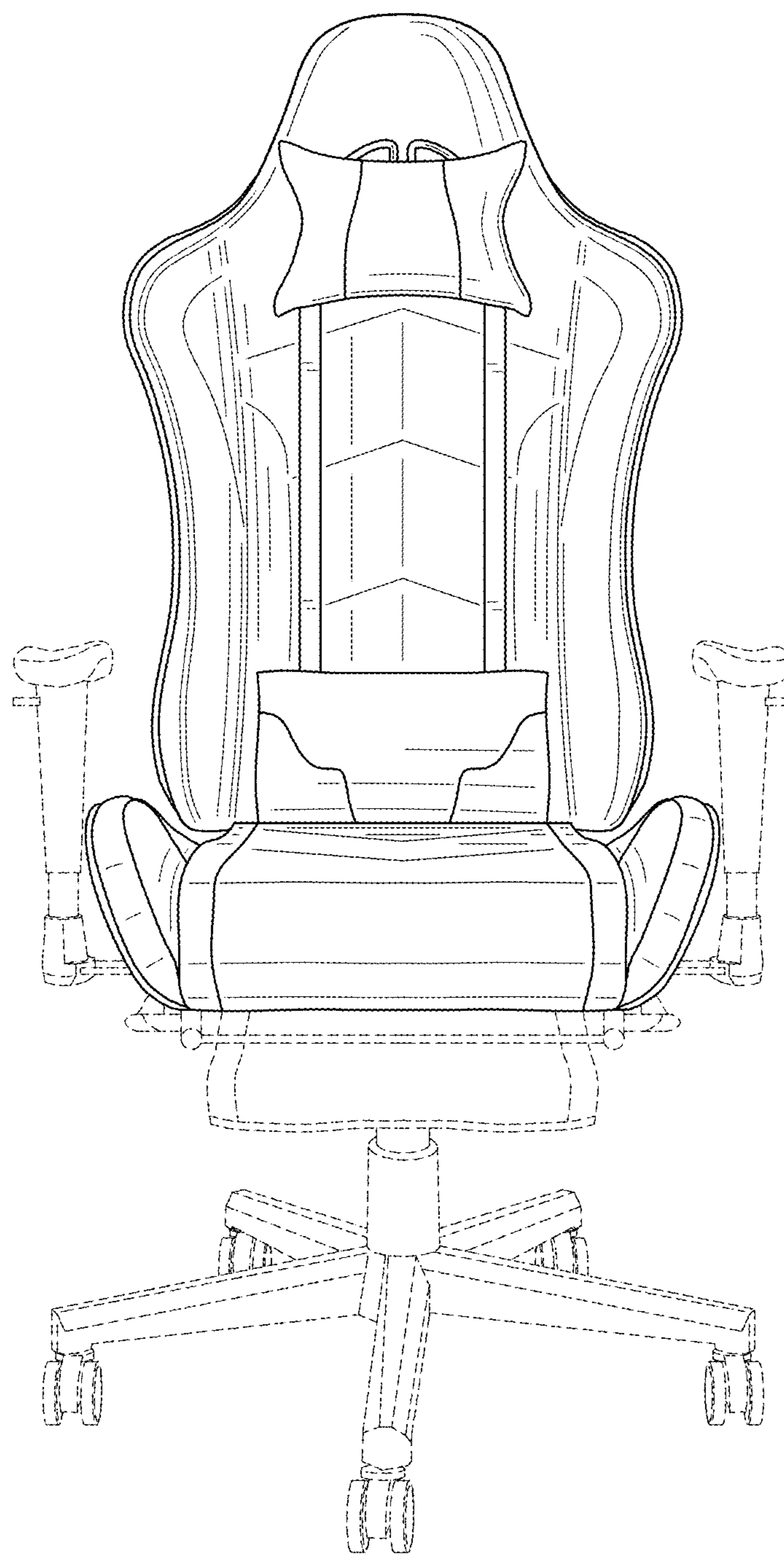


FIG. 3

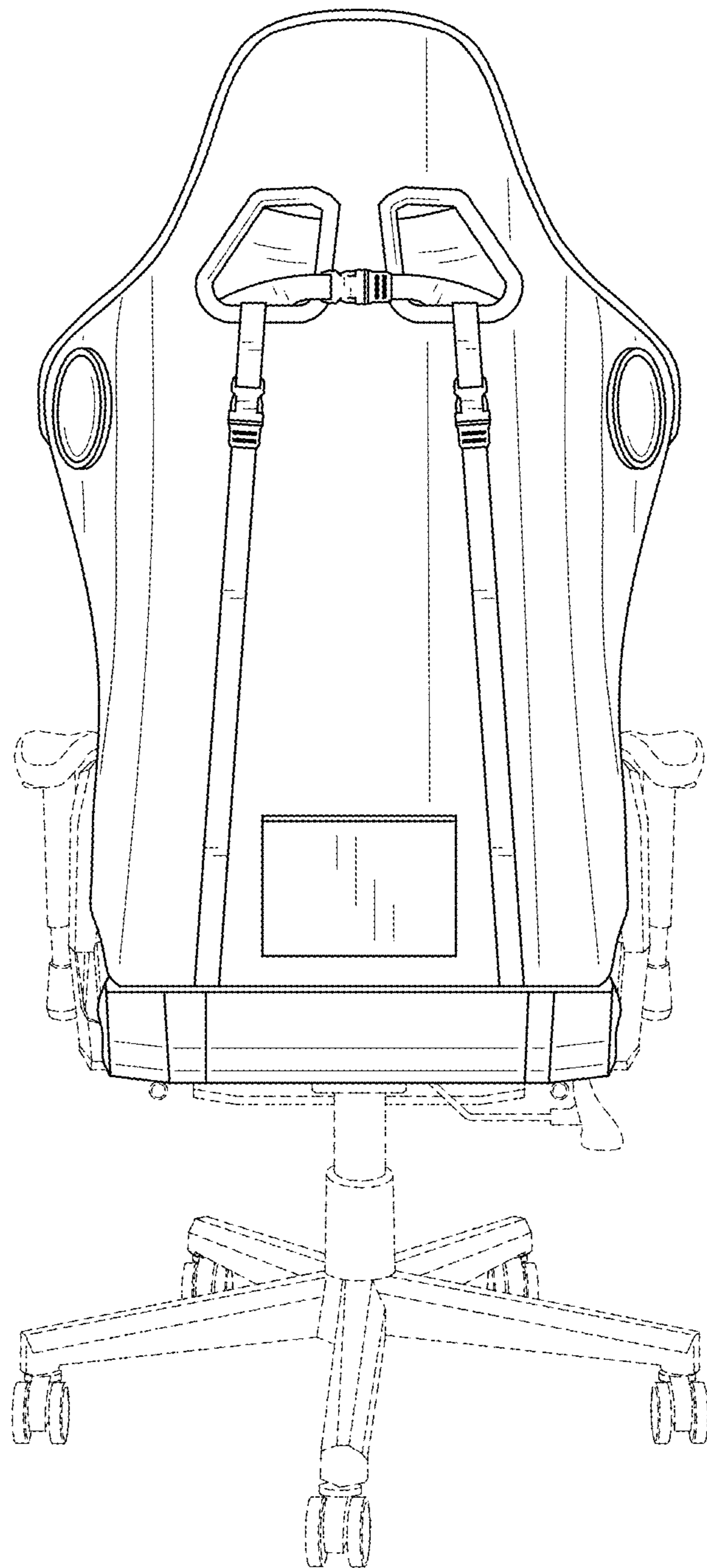


FIG. 4

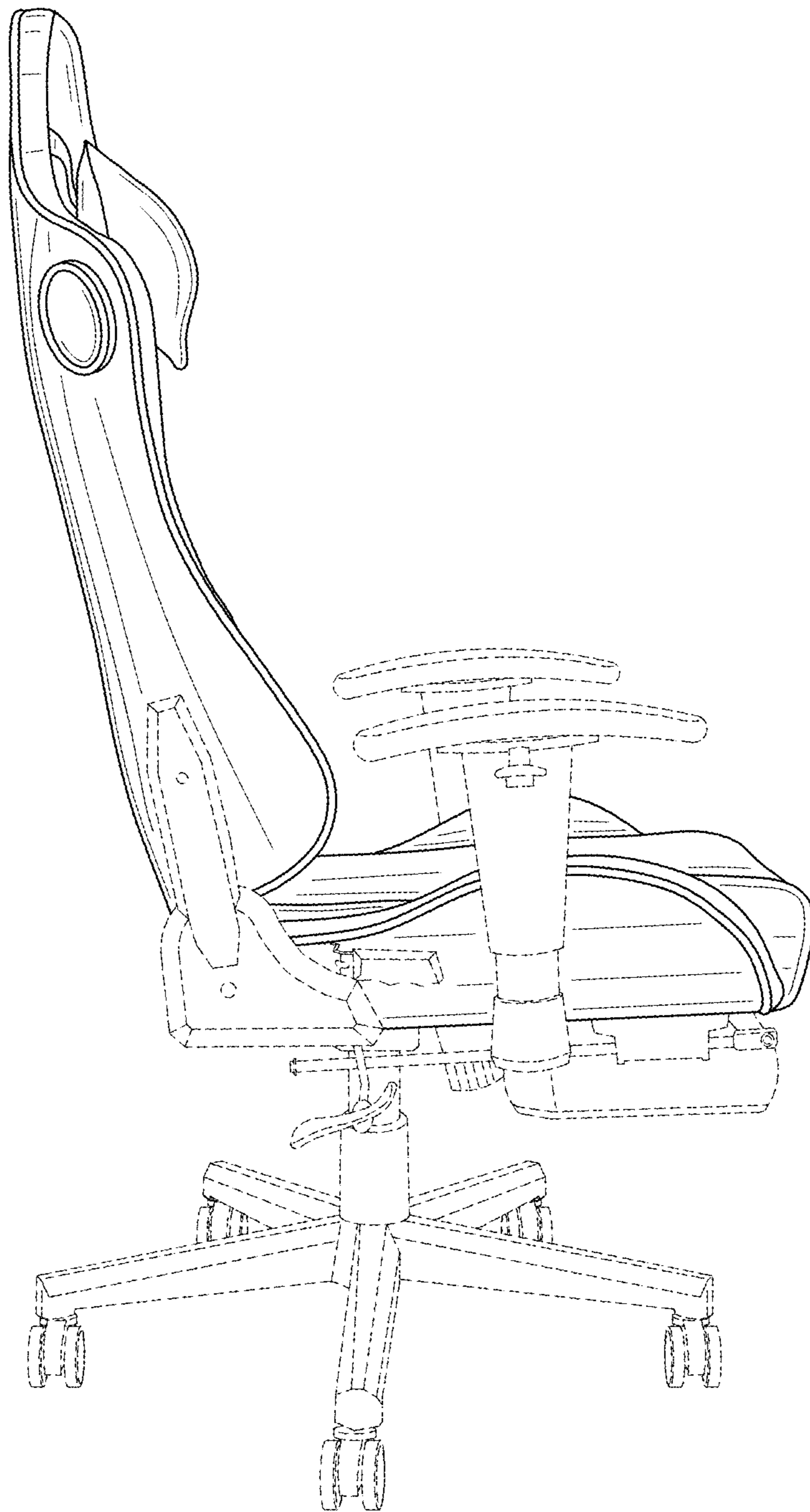


FIG. 5

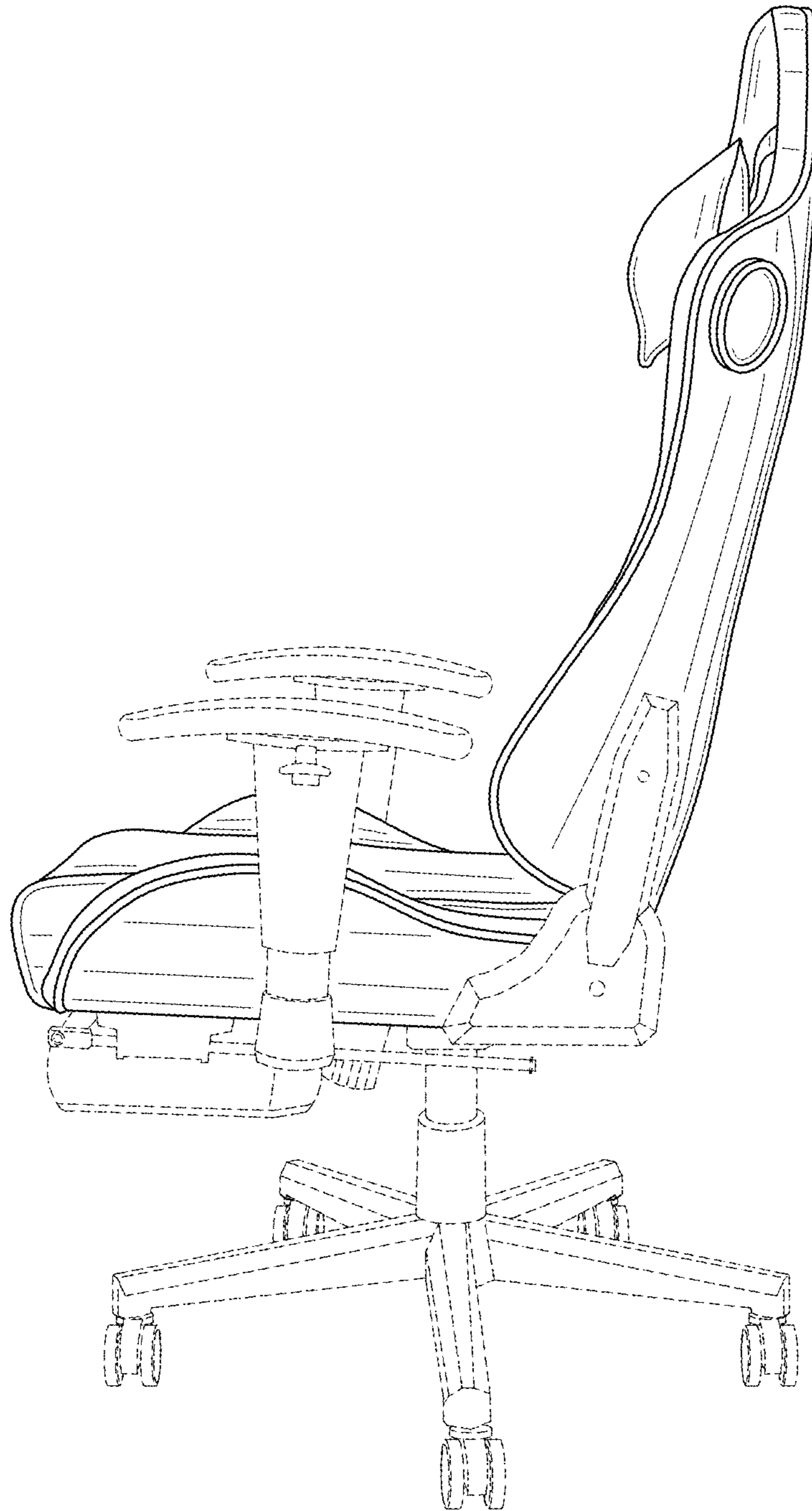


FIG. 6

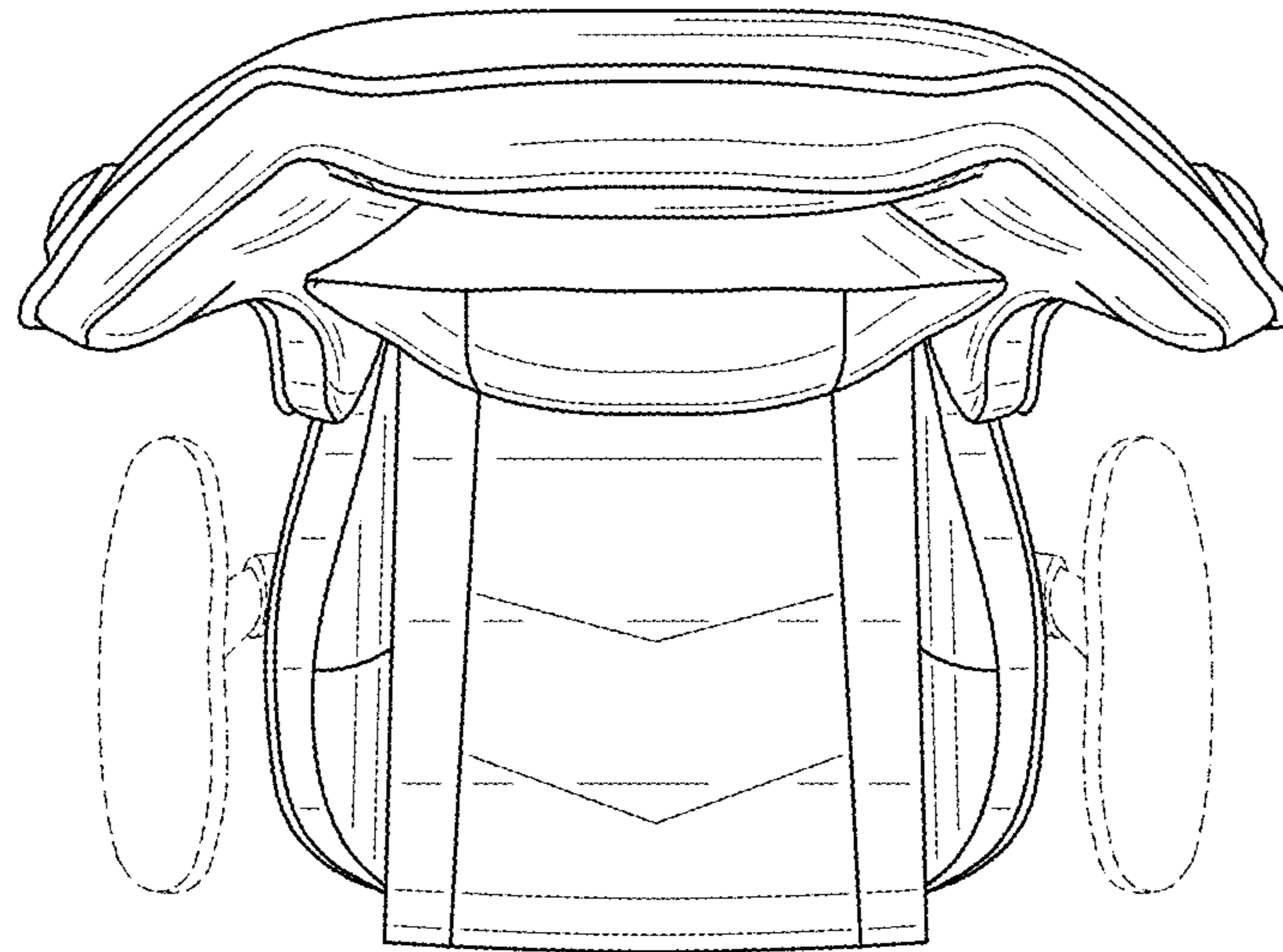


FIG. 7

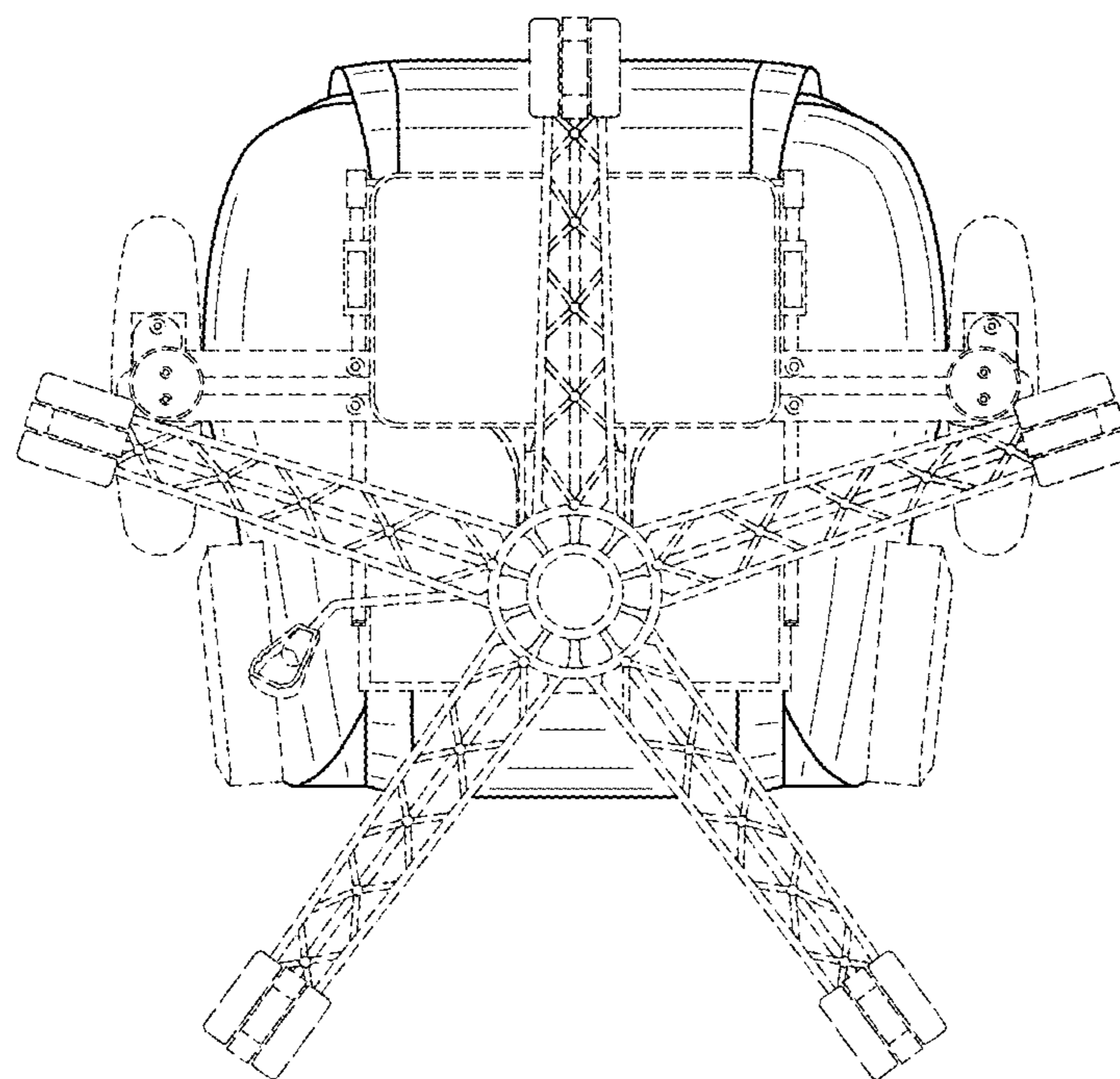


FIG. 8

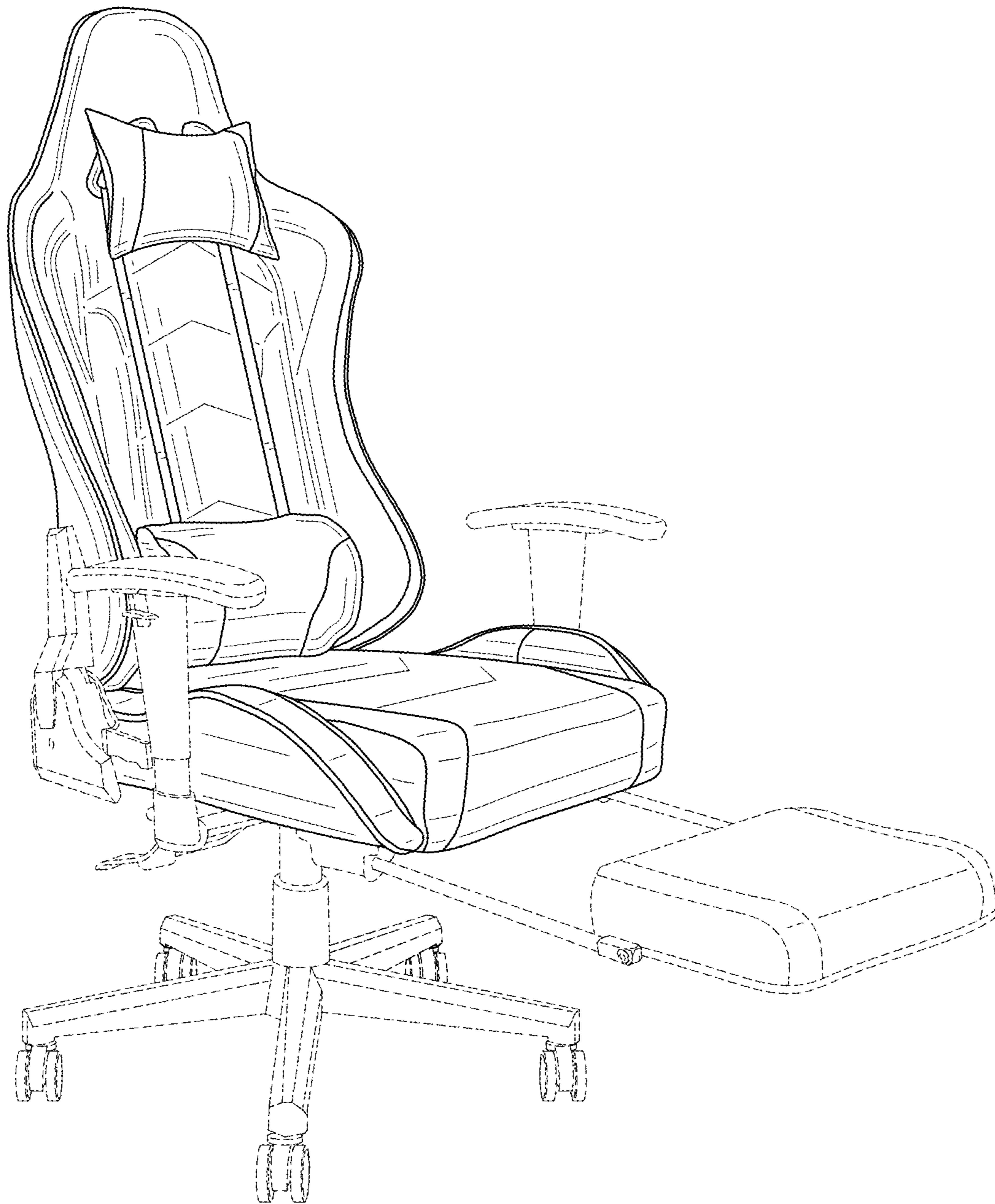


FIG. 9

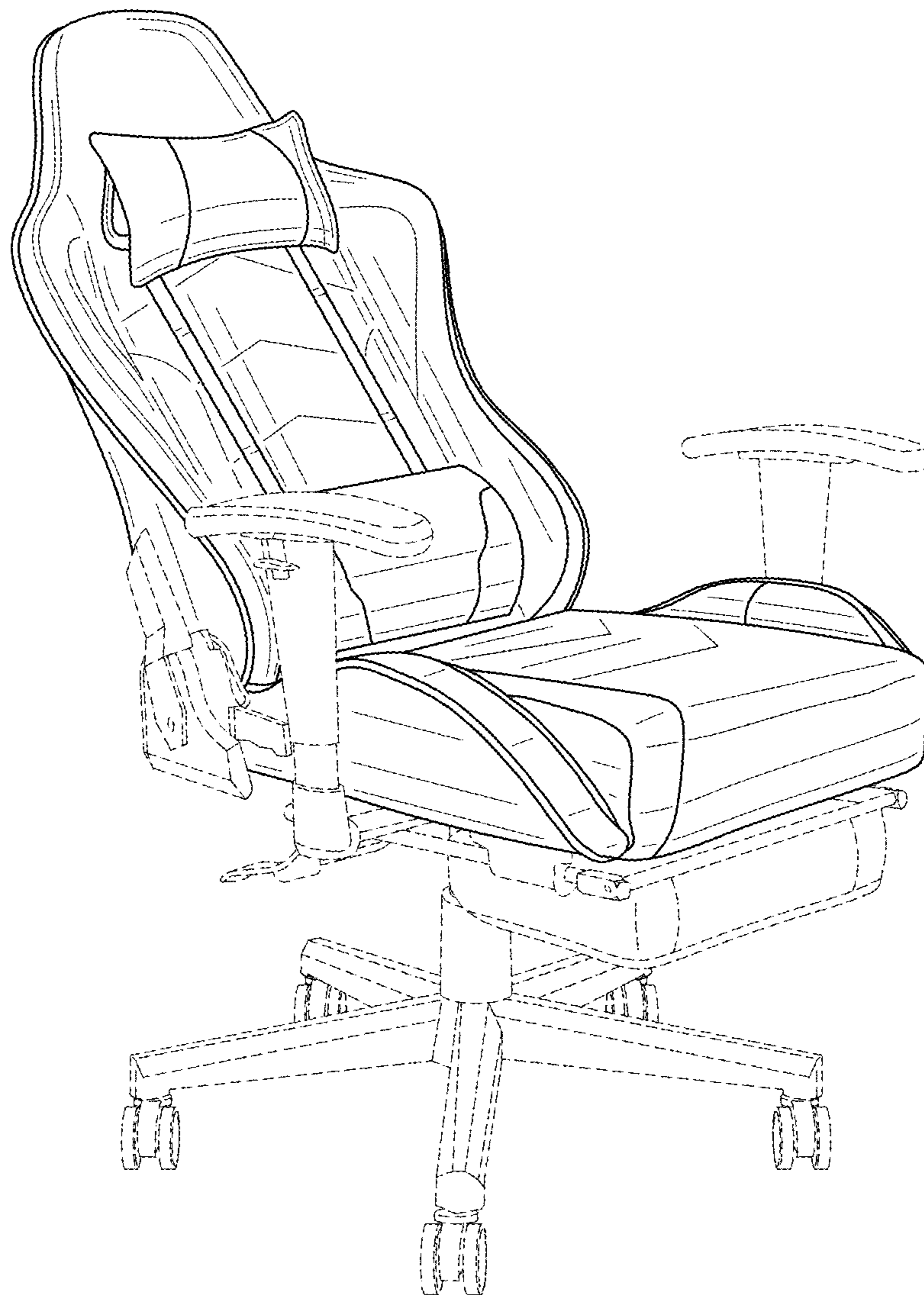


FIG. 10