



US00D918633S

(12) **United States Design Patent**
Donati et al.

(10) **Patent No.:** **US D918,633 S**
(45) **Date of Patent:** **** May 11, 2021**

(54) **BASE FOR OFFICE CHAIRS**
(71) Applicant: **DONATI S.P.A.**, Brescia (IT)
(72) Inventors: **Armando Donati**, Brescia (IT);
Alejandro Valdés Alonso, Barcelona
(ES)
(73) Assignee: **DONATI S.p.A.**, Brescia (IT)
(**) Term: **15 Years**
(21) Appl. No.: **35/508,166**
(22) Filed: **Oct. 31, 2019**
(80) **Hague Agreement Data**
Int. Filing Date: **Oct. 31, 2019**
Int. Reg. No.: **DM/204761**
Int. Reg. Date: **Oct. 31, 2019**
Int. Reg. Pub. Date: **Dec. 20, 2019**

(30) **Foreign Application Priority Data**
May 7, 2019 (WO) DM/201796
(51) **LOC (13) Cl.** **06-06**
(52) **U.S. Cl.**
USPC **D6/708.23**
(58) **Field of Classification Search**
USPC D6/334, 365, 366, 708, 708.22-708.24
CPC A47C 3/00; A47C 5/00; A47C 7/00; A47C
7/002; A47C 7/004; A47C 7/006; A47C
7/02
See application file for complete search history.

(56) **References Cited**
U.S. PATENT DOCUMENTS
D204,189 S * 3/1966 Dillen D6/708.23
D280,584 S * 9/1985 Harnick D6/610
D322,179 S * 12/1991 Wilson D6/366

D420,224 S * 2/2000 Olson D6/366
D518,318 S * 4/2006 Koepke D6/708.23
7,032,869 B2 * 4/2006 Edwards A47C 7/004
248/188.7
D549,014 S * 8/2007 Donati D6/708.23
D562,037 S * 2/2008 Kaloustian A47C 7/004
D6/708.23
D601,827 S * 10/2009 Parker A47C 7/006
D6/708.23
D897,707 S * 10/2020 Mason A47C 7/004
D6/366
2014/0353441 A1 * 12/2014 Baas A47C 7/006
248/188.7
2015/0048223 A1 * 2/2015 Mika A47C 7/006
248/188.7
2015/0122958 A1 * 5/2015 Chen A47C 7/004
248/158

* cited by examiner

Primary Examiner — Mary Ann Calabrese
(74) *Attorney, Agent, or Firm* — Thomas I Horstemeyer,
LLP

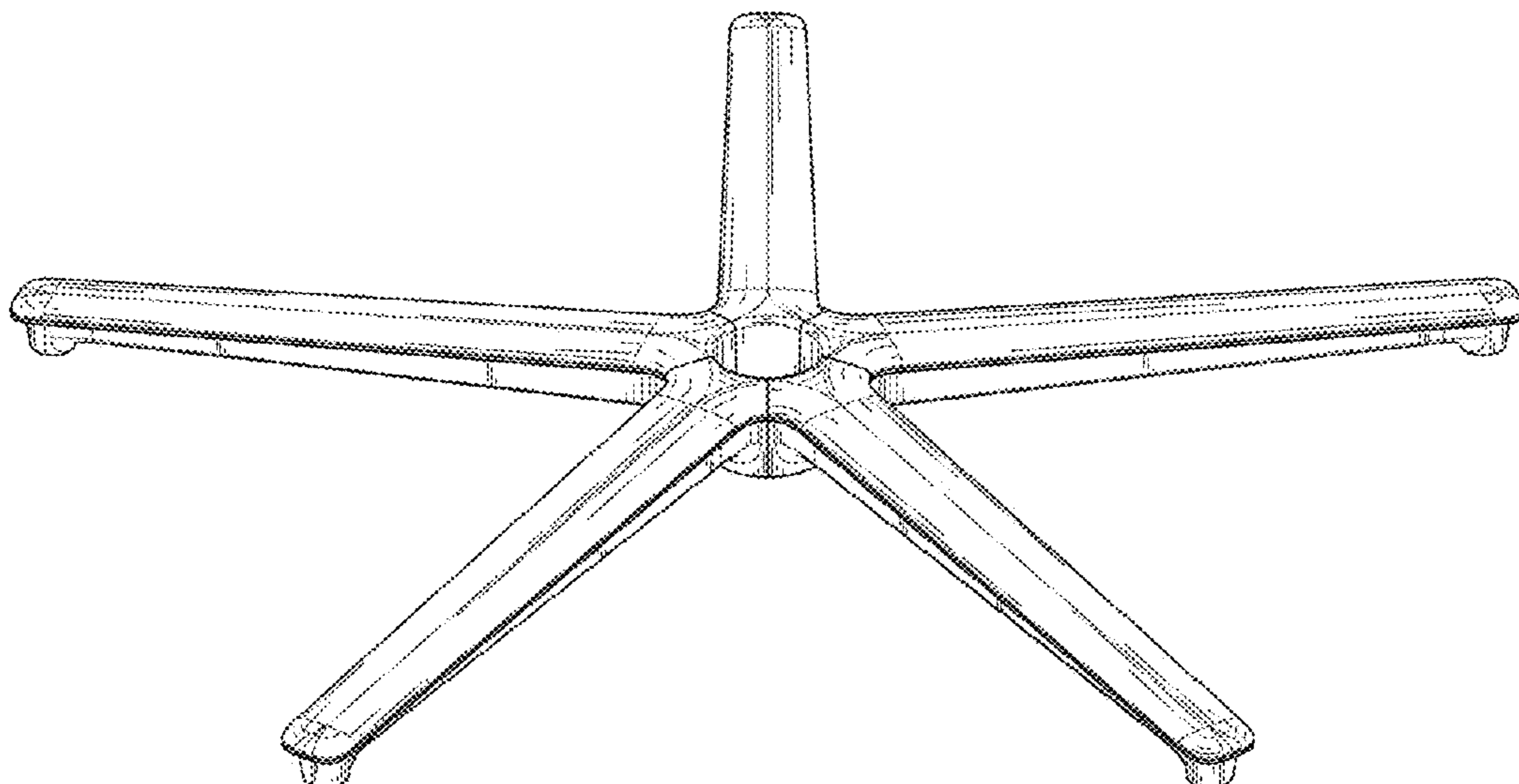
(57) **CLAIM**

The ornamental design for a base for office chairs, as shown and described.

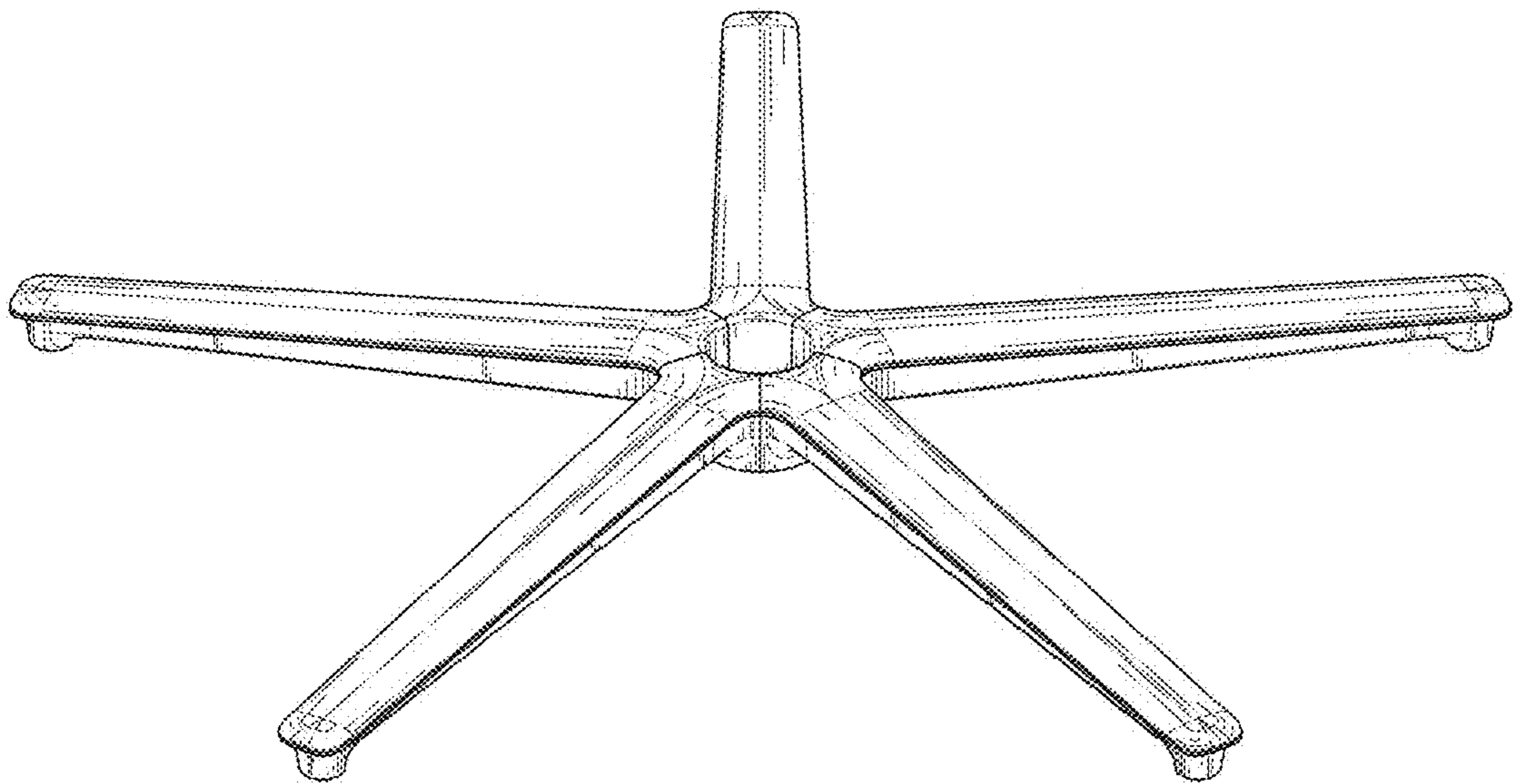
DESCRIPTION

1.1 is a top perspective view of a base for office chairs, showing my new design;
1.2 is another top perspective view thereof, from a different angle than view 1.1;
1.3 is a bottom perspective view thereof;
1.4 is a front view thereof;
1.5 is a rear view thereof;
1.6 is a left view thereof;
1.7 is a right view thereof;
1.8 is a top view thereof;
1.9 is a bottom view thereof; and
1.10 is a cross-sectional view thereof, taken along line A-A of the view 1.8.

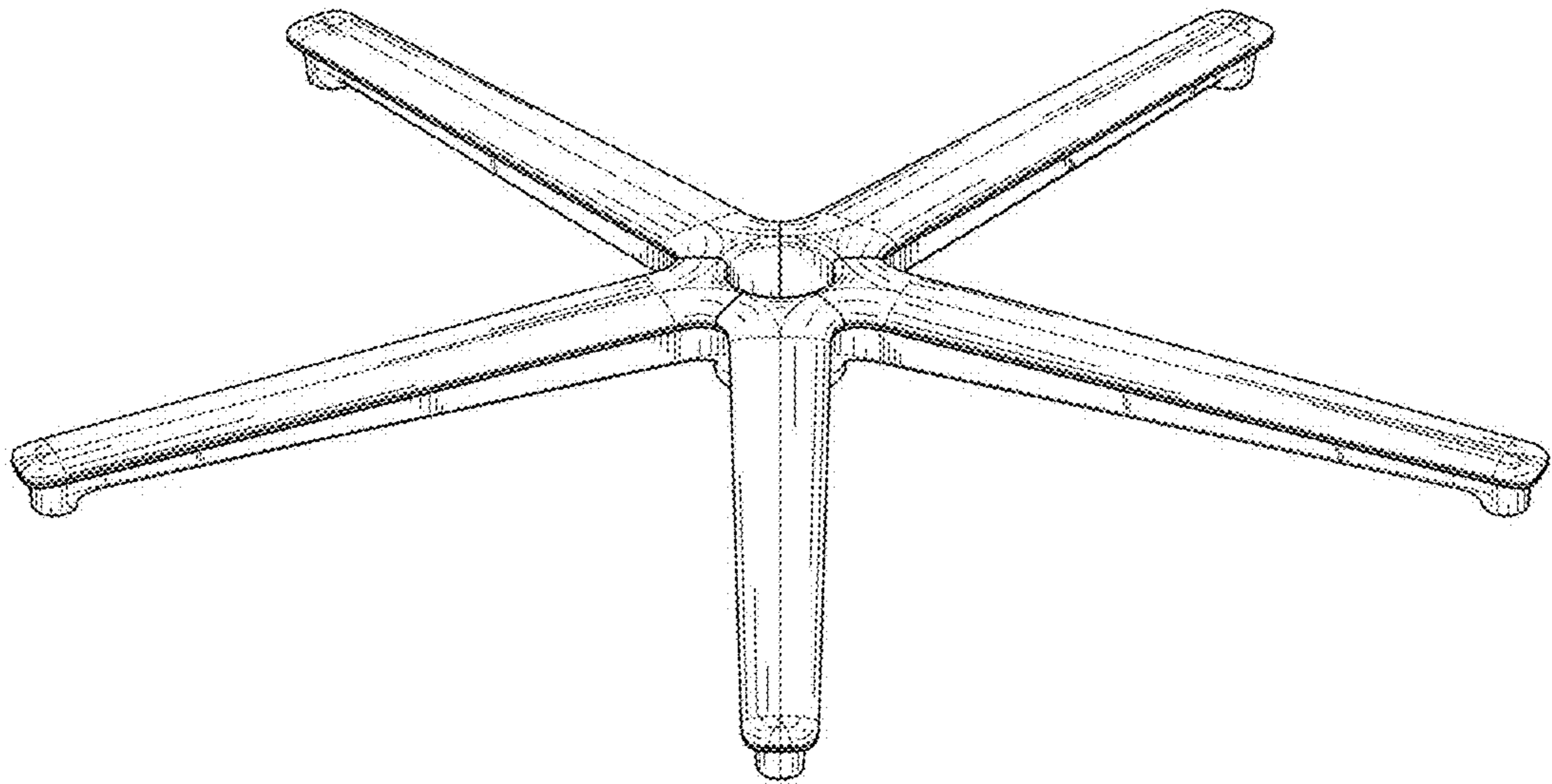
1 Claim, 10 Drawing Sheets



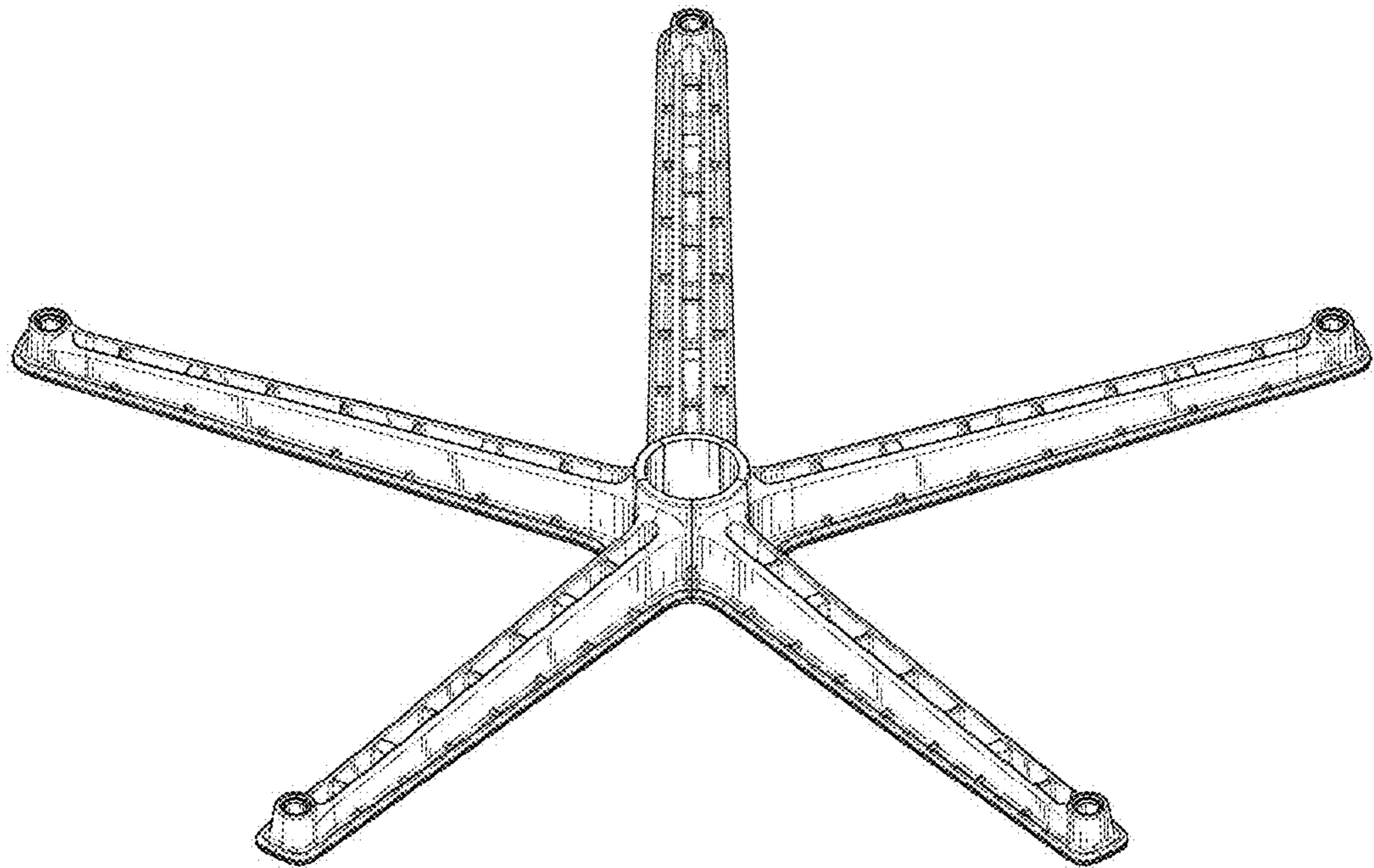
1.1



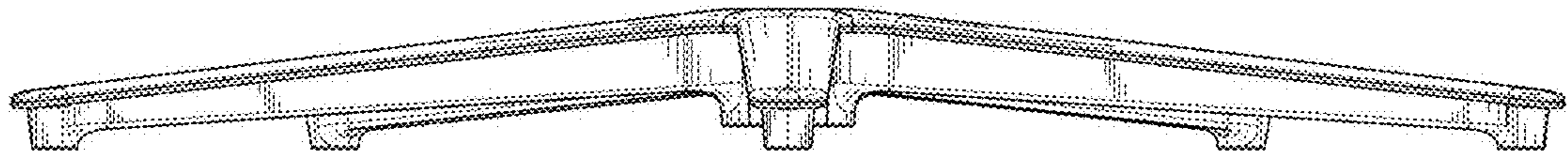
1.2



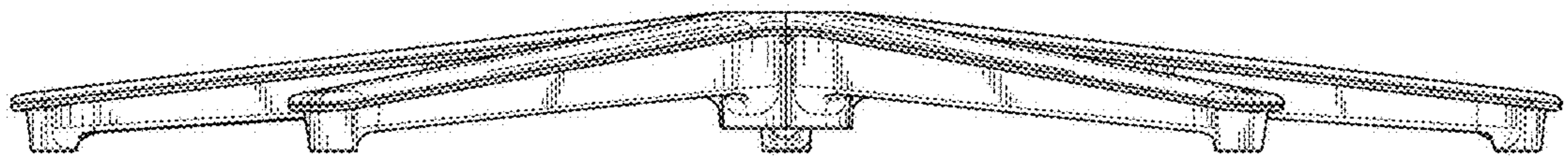
1.3



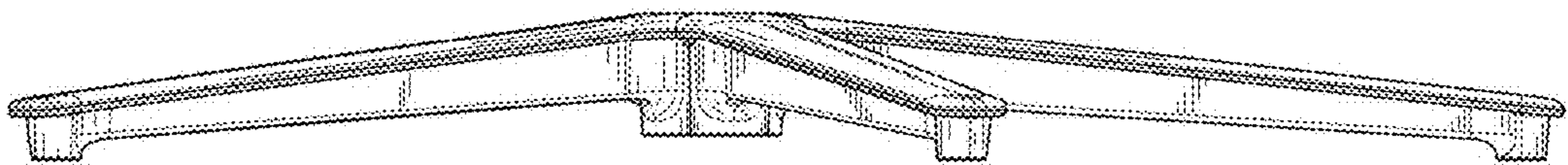
1.4



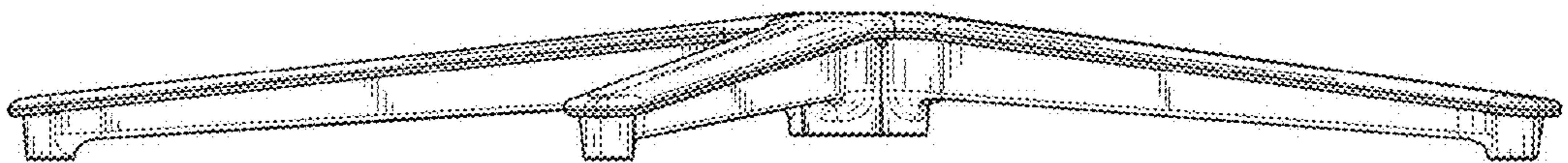
1.5



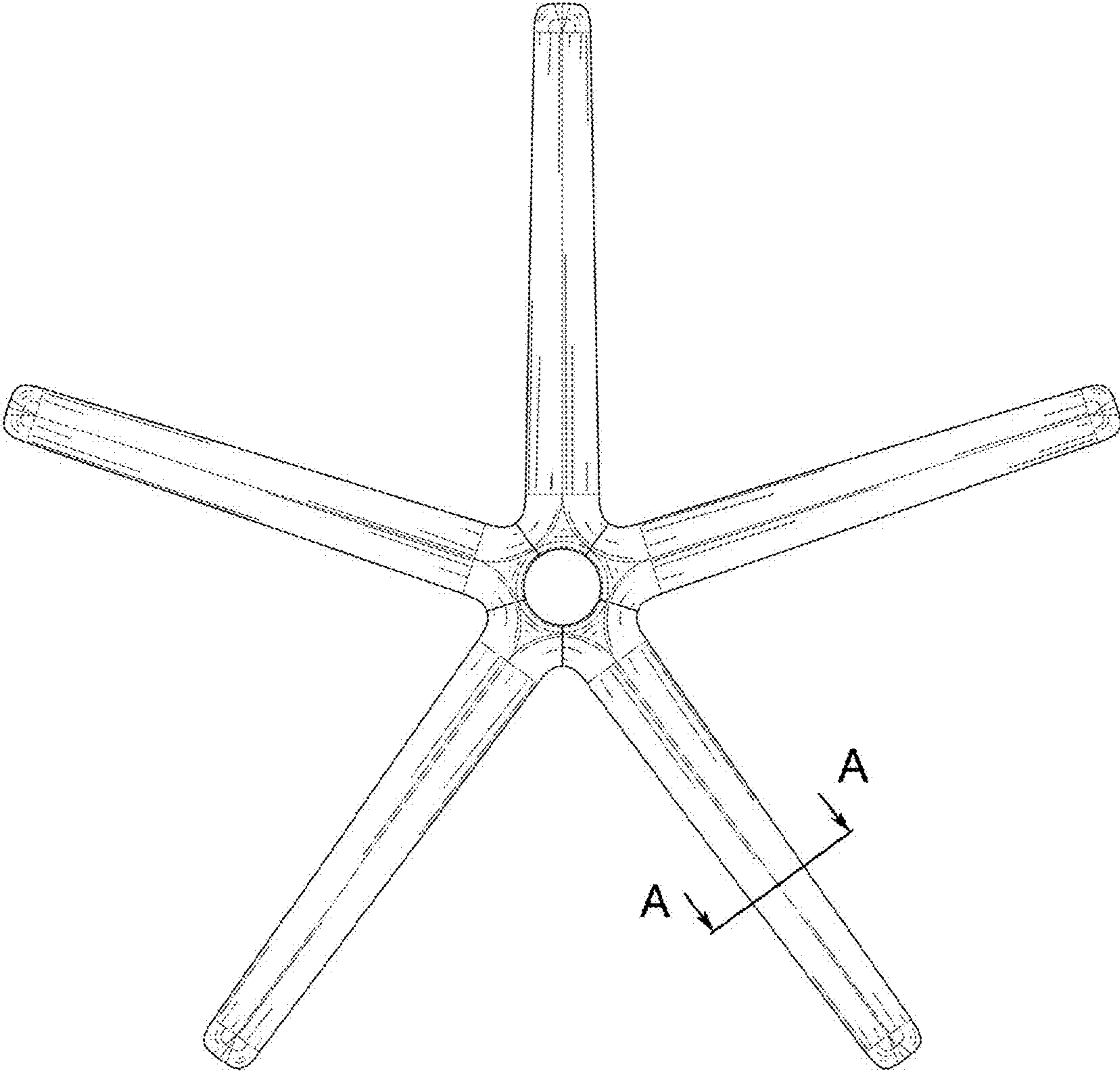
1.6



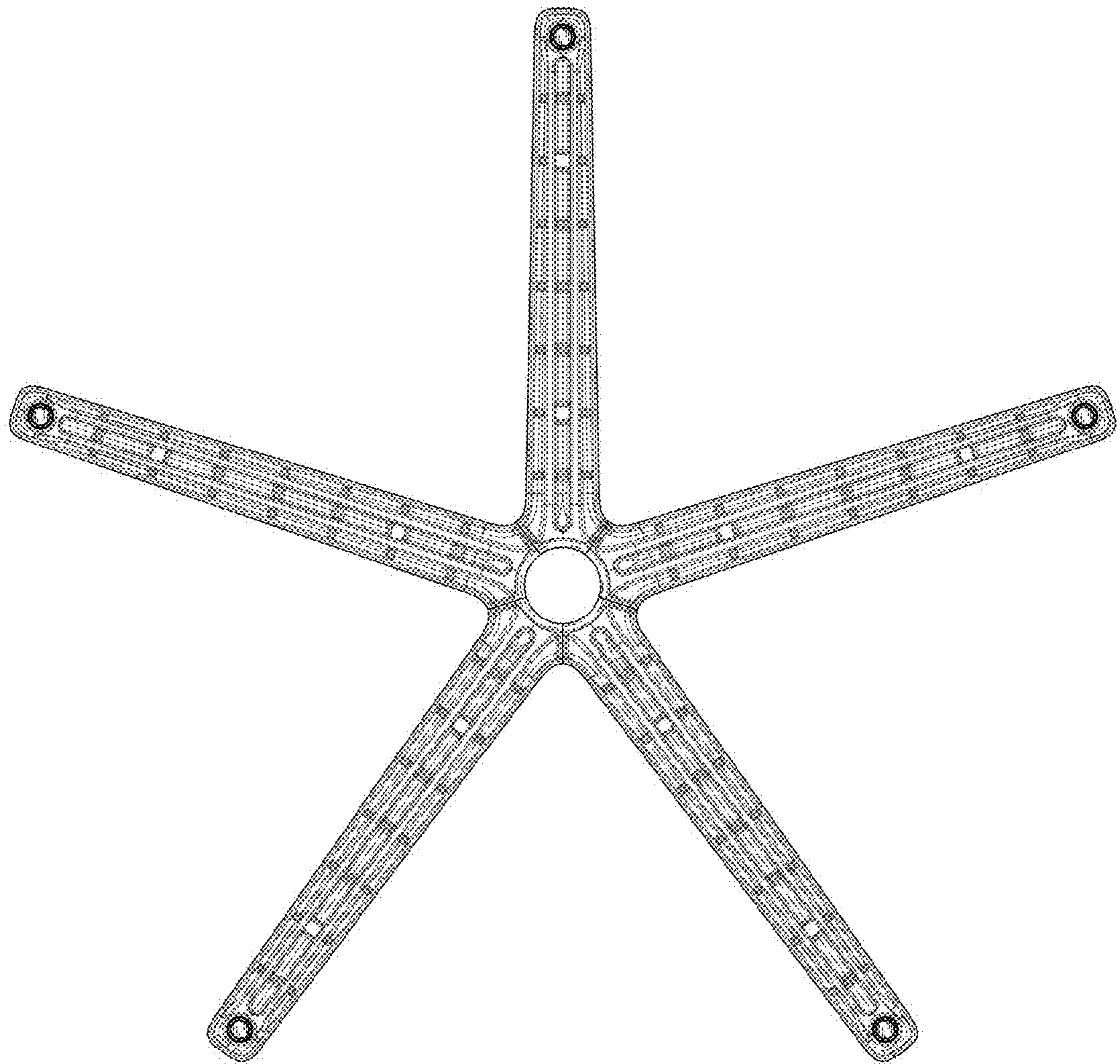
1.7



1.8



1.9



1.10

