



US00D918632S

(12) **United States Design Patent** (10) **Patent No.:** **US D918,632 S**
Irgang et al. (45) **Date of Patent:** **** May 11, 2021**

(54) **DRAWER PART**

- (71) Applicant: **Julius Blum GmbH**, Hoechst (AT)
- (72) Inventors: **Markus Irgang**, Altach (AT); **Guenter Schwarzmann**, Dornbirn (AT); **Emanuel Netzer**, Hoechst (AT); **Elvis Music**, Lindau (DE)
- (73) Assignee: **Julius Blum GmbH**, Hoechst (AT)
- (**) Term: **15 Years**
- (21) Appl. No.: **29/739,171**
- (22) Filed: **Jun. 23, 2020**

Related U.S. Application Data

- (62) Division of application No. 29/654,000, filed on Jun. 20, 2018.

(30) **Foreign Application Priority Data**

- Dec. 22, 2017 (EM) 4562304-0017
- (51) **LOC (13) Cl.** **06-06**
- (52) **U.S. Cl.**
USPC **D6/705**
- (58) **Field of Classification Search**
USPC D6/703, 703.2, 703.3, 705, 705.2, 705.4, D6/705.5, 705.7, 707.19, 707.25, 706
CPC A47B 88/00; A47B 88/40; A47B 88/402; A47B 88/407; A47B 88/413; A47B 88/417; A47B 88/433; A47B 88/90; A47B 88/906; A47B 88/944
See application file for complete search history.

(56) **References Cited**

U.S. PATENT DOCUMENTS

- D326,381 S * 5/1992 Heiligenthal D6/705
- D563,125 S * 3/2008 Held D6/705.4
- D572,511 S * 7/2008 Bohler D6/705.4
- D577,936 S * 10/2008 Held D6/705.4
- D686,429 S * 7/2013 Kampl D6/705
- D840,182 S * 2/2019 Warden D6/705
- 2020/0000226 A1 * 1/2020 Kampl A47B 88/925

FOREIGN PATENT DOCUMENTS

- WO WO-2016131603 A1 * 8/2016 A47B 88/941

* cited by examiner

Primary Examiner — R. Johnson

(74) *Attorney, Agent, or Firm* — Wenderoth, Lind & Ponack, L.L.P.

(57) **CLAIM**

The ornamental design for a drawer part, as shown and described.

DESCRIPTION

FIG. 1 is a front perspective view of a drawer part;
 FIG. 2 is a front view thereof;
 FIG. 3 is a left side view thereof;
 FIG. 4 is a right side view thereof;
 FIG. 5 is a bottom view thereof;
 FIG. 6 is a top view thereof;
 FIG. 7 is a rear view thereof; and,
 FIG. 8 is a rear perspective view thereof.
 The broken lines shown herein are for illustrative purposes only and form no part of the claimed design.

1 Claim, 8 Drawing Sheets

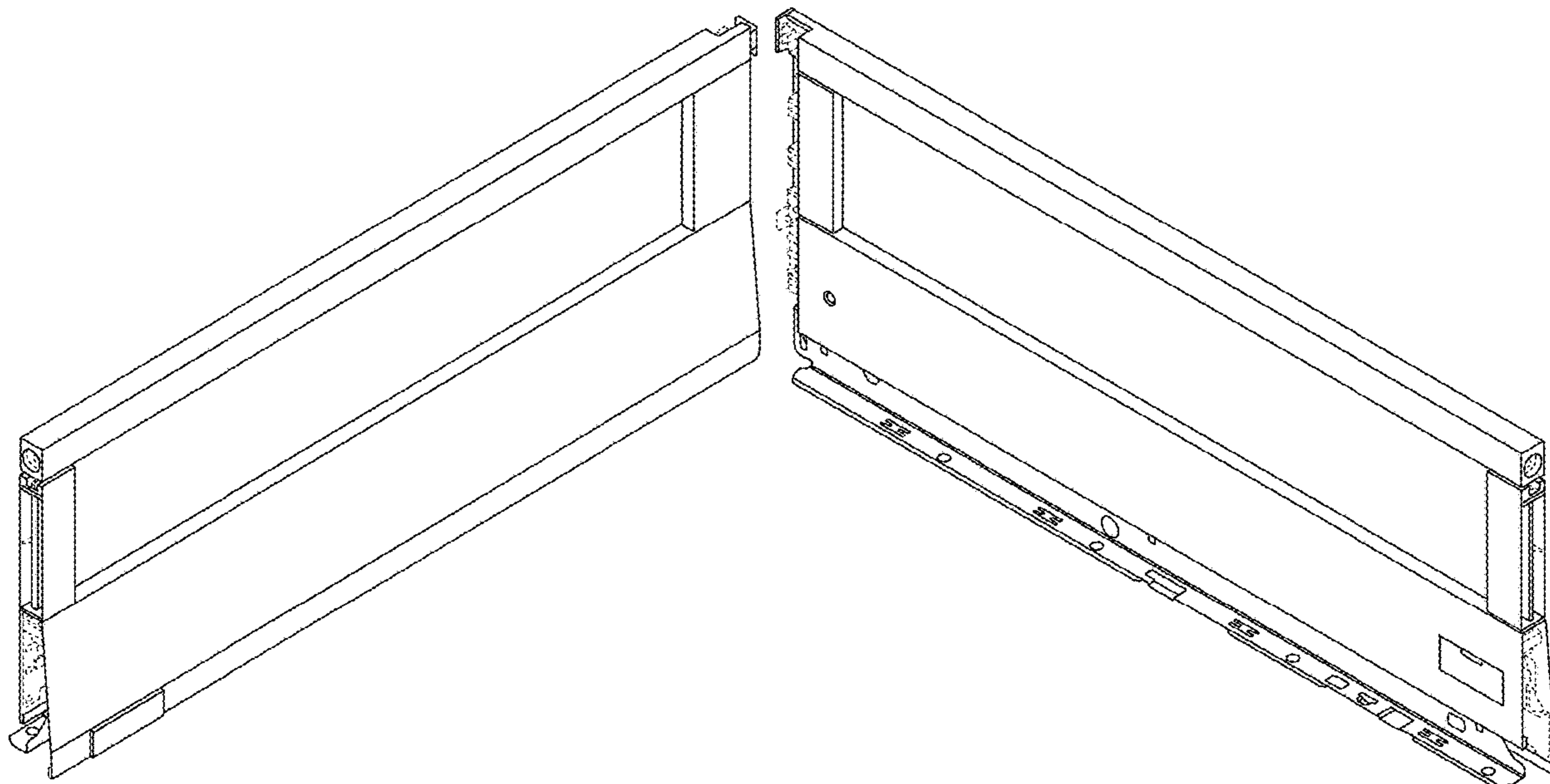


FIG. 1

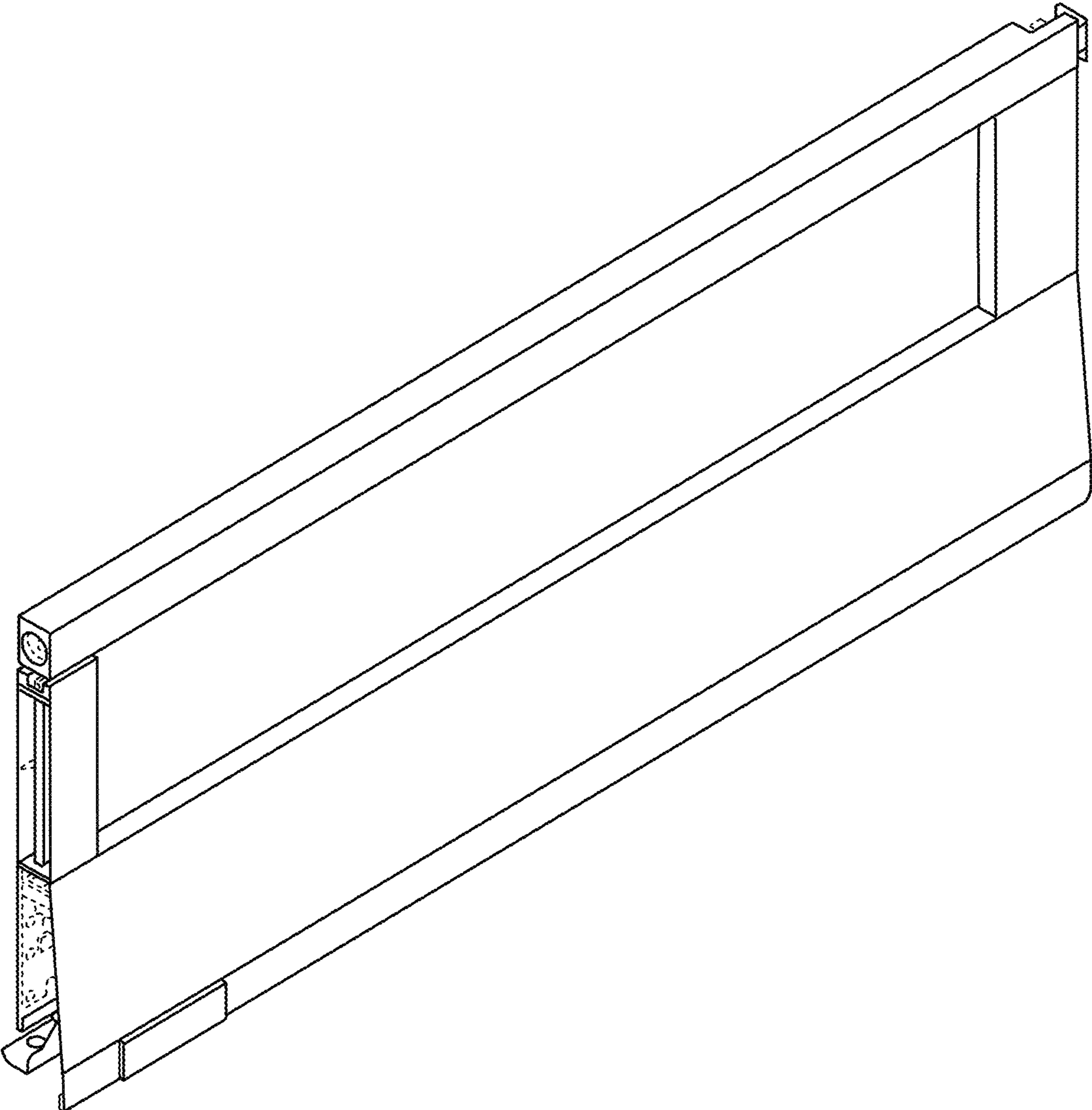


FIG. 2

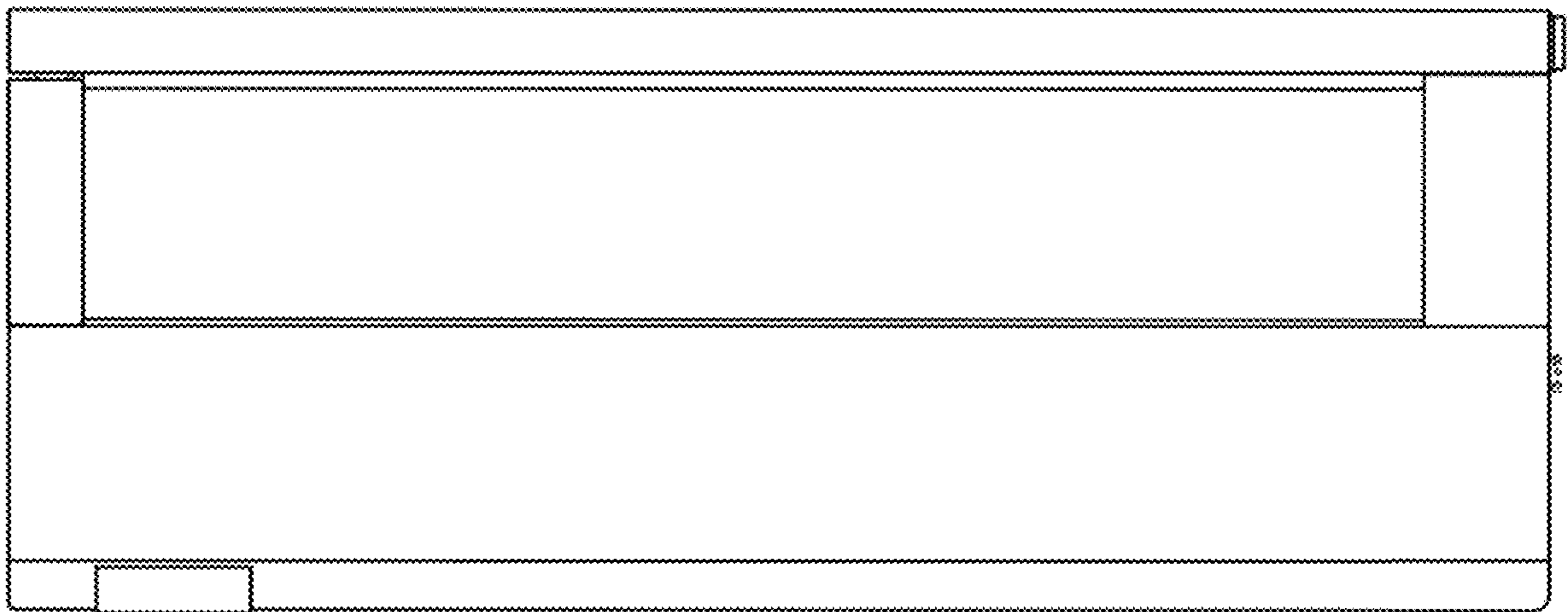


FIG. 3

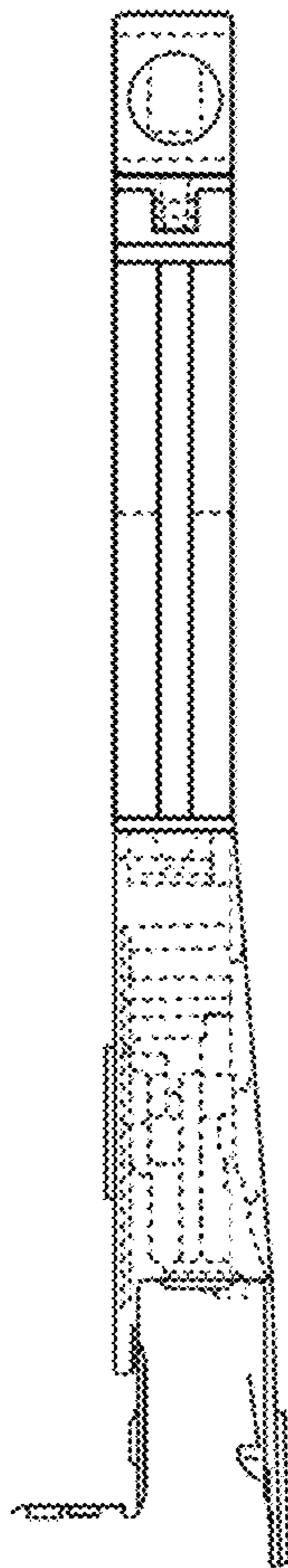


FIG. 4

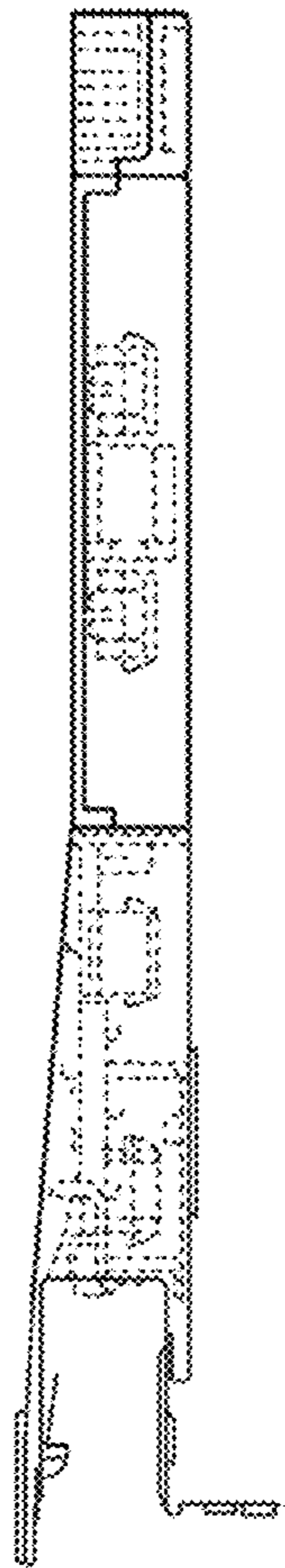
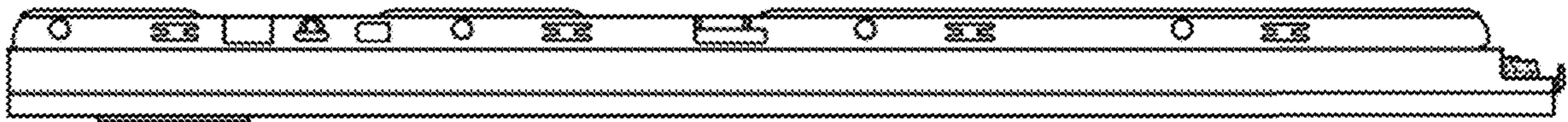


FIG. 5



FIG. 6



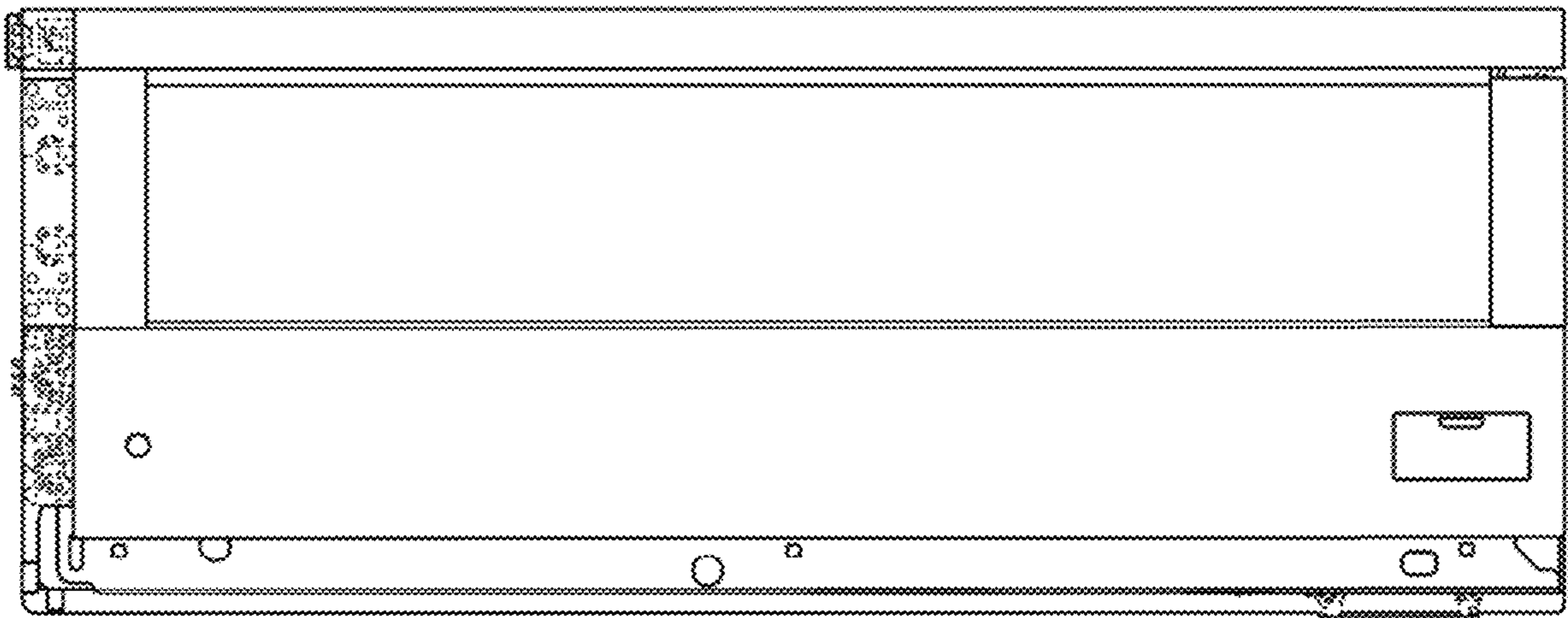


FIG. 7

FIG. 8

