



US00D918630S

(12) **United States Design Patent** (10) **Patent No.:** **US D918,630 S**
Huang (45) **Date of Patent:** **** May 11, 2021**

- (54) **ROTATABLE HOLDER RACK**
- (71) Applicant: **Fangfang Huang**, Ningbo (CN)
- (72) Inventor: **Fangfang Huang**, Ningbo (CN)
- (**) Term: **15 Years**
- (21) Appl. No.: **29/751,678**
- (22) Filed: **Sep. 23, 2020**
- (51) **LOC (13) Cl.** **06-06**
- (52) **U.S. Cl.**
USPC **D6/680.3**
- (58) **Field of Classification Search**
USPC D6/672, 673, 680, 680.2, 680.3, 681,
D6/681.1, 681.2, 682, 682.1, 682.2, 682.6
CPC A47B 81/007; A47B 96/14; A47F 5/0018;
A47F 5/0025; A47F 5/0006; A47F 5/04;
A47F 7/02
See application file for complete search history.

(56) **References Cited**

U.S. PATENT DOCUMENTS

D41,688 S *	8/1911	Hohner	D6/680.2
D63,786 S *	1/1924	Henderson	D6/674
D74,352 S *	2/1928	Burns	D6/674
D236,565 S *	9/1975	Fuller	D7/708
D244,408 S *	5/1977	Jennings	D3/25
D250,616 S *	12/1978	Cofer	D3/25
D296,163 S *	6/1988	Curio	D6/682.6
D312,737 S *	12/1990	Glassenberg	D6/681.3

D313,326 S *	1/1991	Harman	D6/682.6
D322,368 S *	12/1991	Blum	D6/680
D333,559 S *	3/1993	Rowley	D3/25
D456,636 S *	5/2002	Papai	D6/676
D465,946 S *	11/2002	Boyd, Jr.	D6/681.3
D641,570 S	7/2011	Zieman et al.		
9,131,789 B1 *	9/2015	Williams	A47F 7/02
D820,621 S	6/2018	Dennison		
D871,808 S *	1/2020	Thompson	D6/680.2
2016/0227943 A1 *	8/2016	Russo	A47F 5/02
2020/0337476 A1 *	10/2020	Keogh	A47F 5/06

* cited by examiner

Primary Examiner — Kelley A Donnelly

(74) *Attorney, Agent, or Firm* — Rumit Ranjit Kanakia

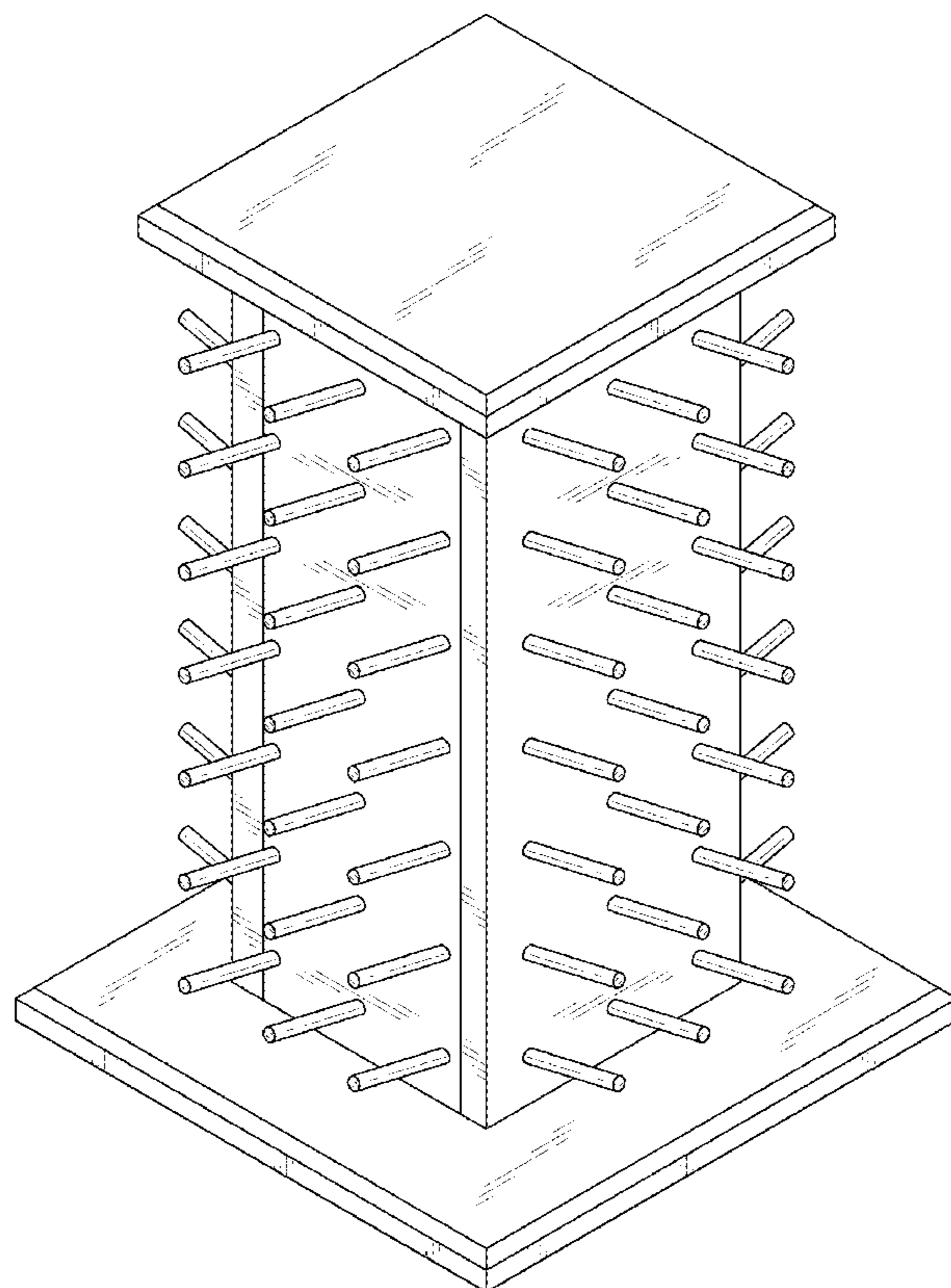
(57) **CLAIM**

I claim the ornamental design for a rotatable holder rack, as shown and described.

DESCRIPTION

FIG. 1 is a Perspective view of a rotatable holder rack showing my new design;
 FIG. 2 is a Front view thereof;
 FIG. 3 is a Back view thereof;
 FIG. 4 is a Right-side view thereof;
 FIG. 5 is a Left-side view thereof;
 FIG. 6 is a Top view thereof;
 FIG. 7 is a Bottom view thereof; and,
 FIG. 8 is other perspective view thereof.
 The broken lines are for the purpose of illustrating portions of the article that form no part of the claim.

1 Claim, 8 Drawing Sheets



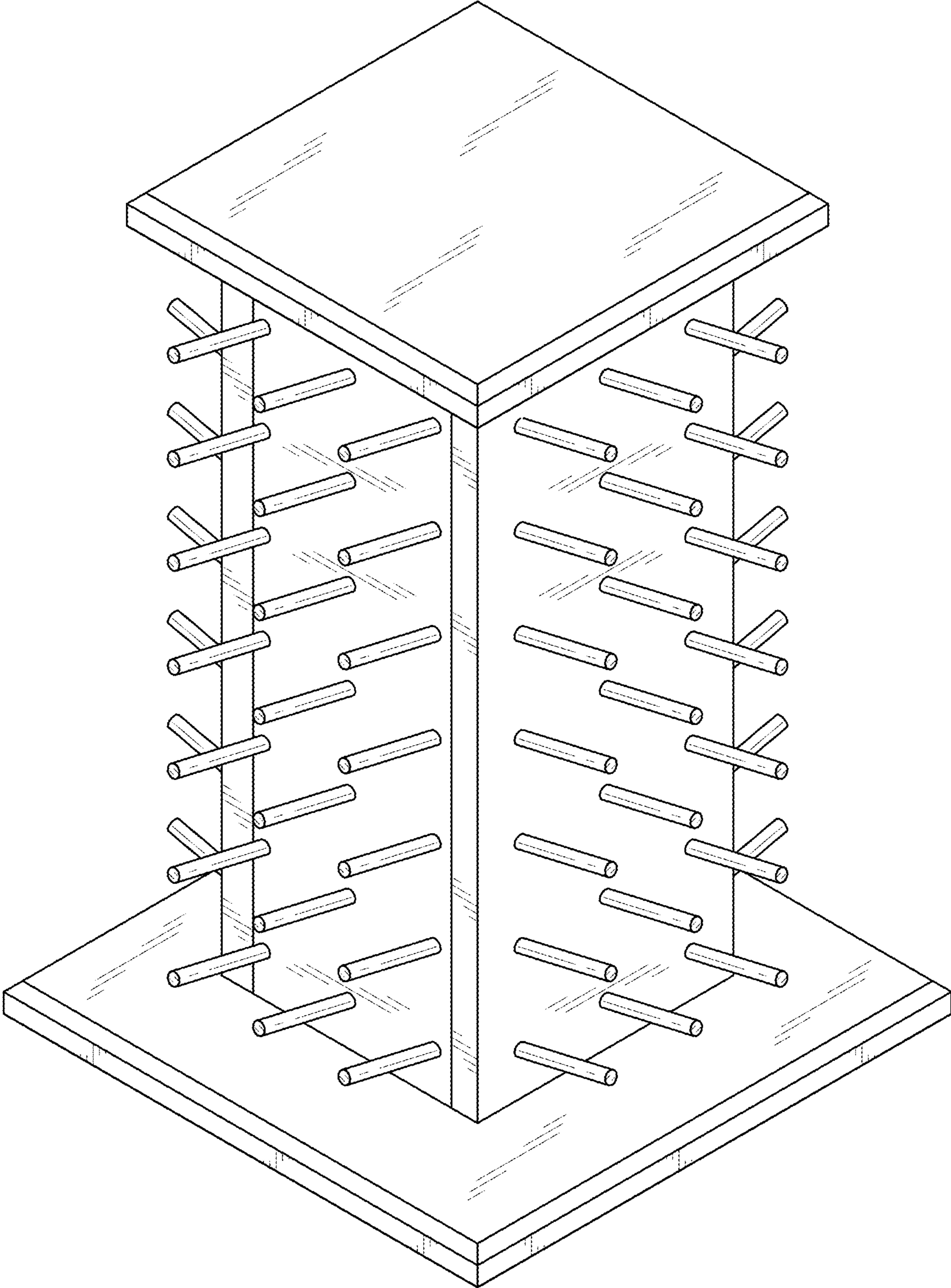


FIG. 1

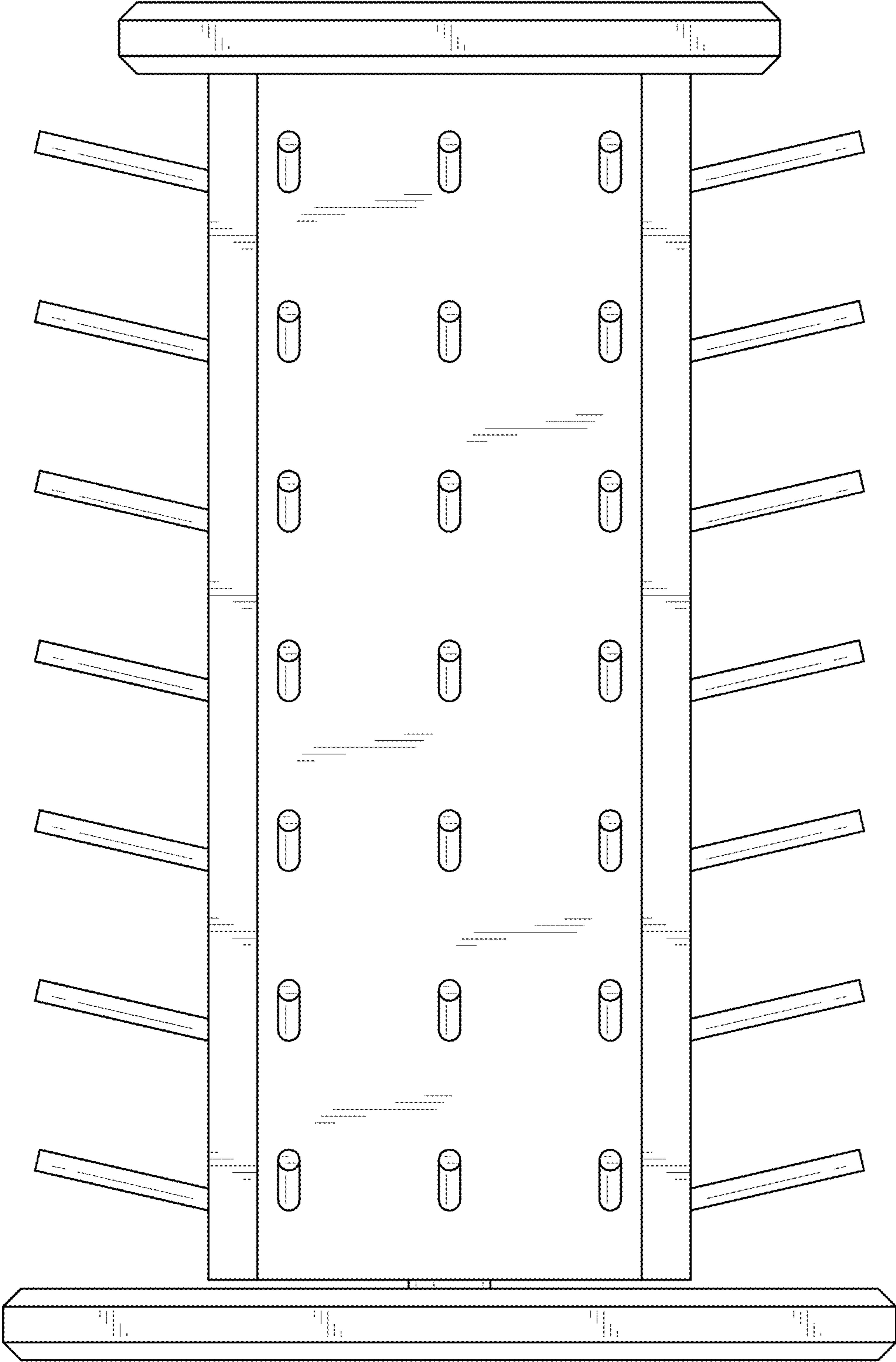


FIG. 2

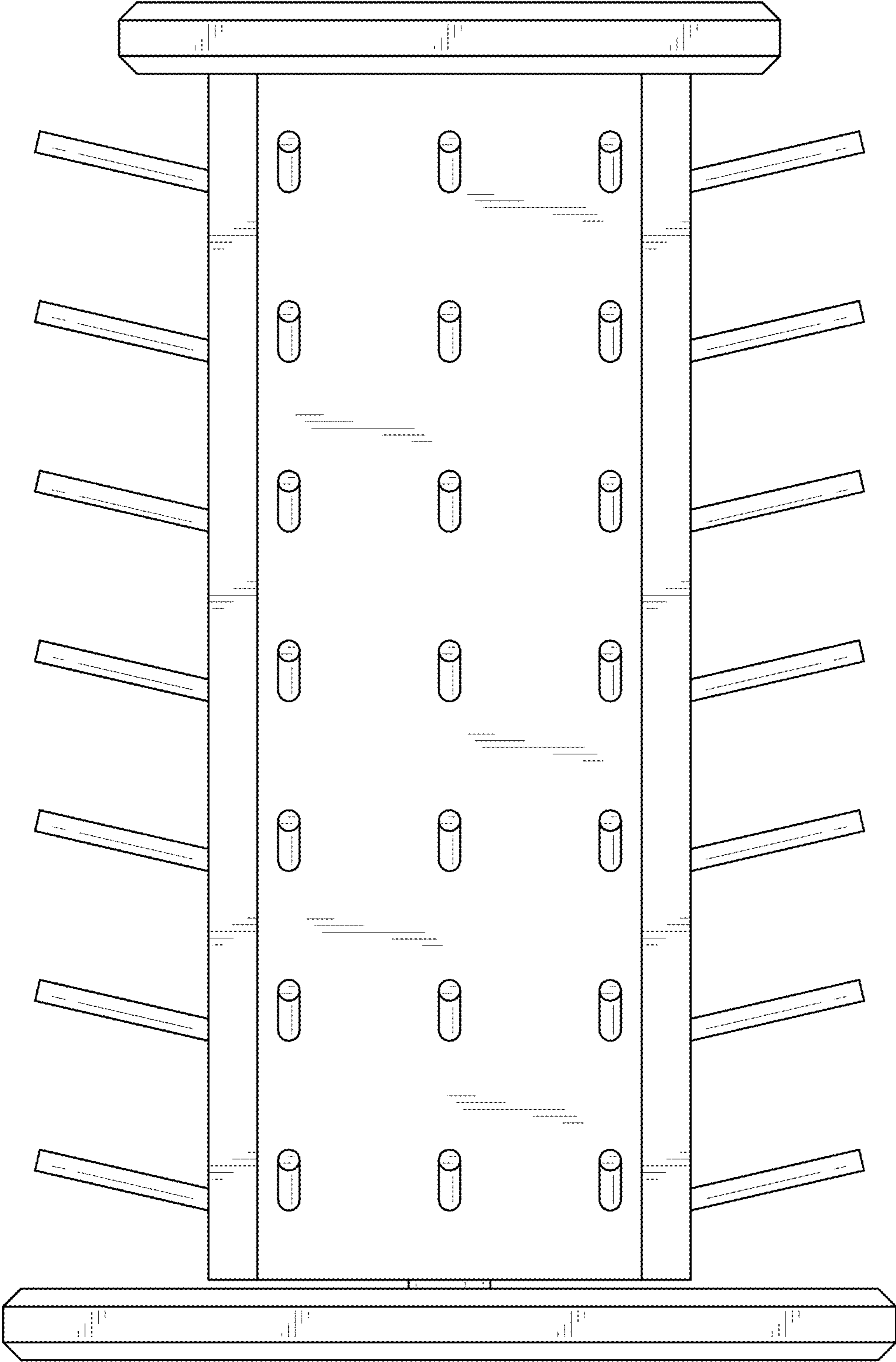


FIG. 3

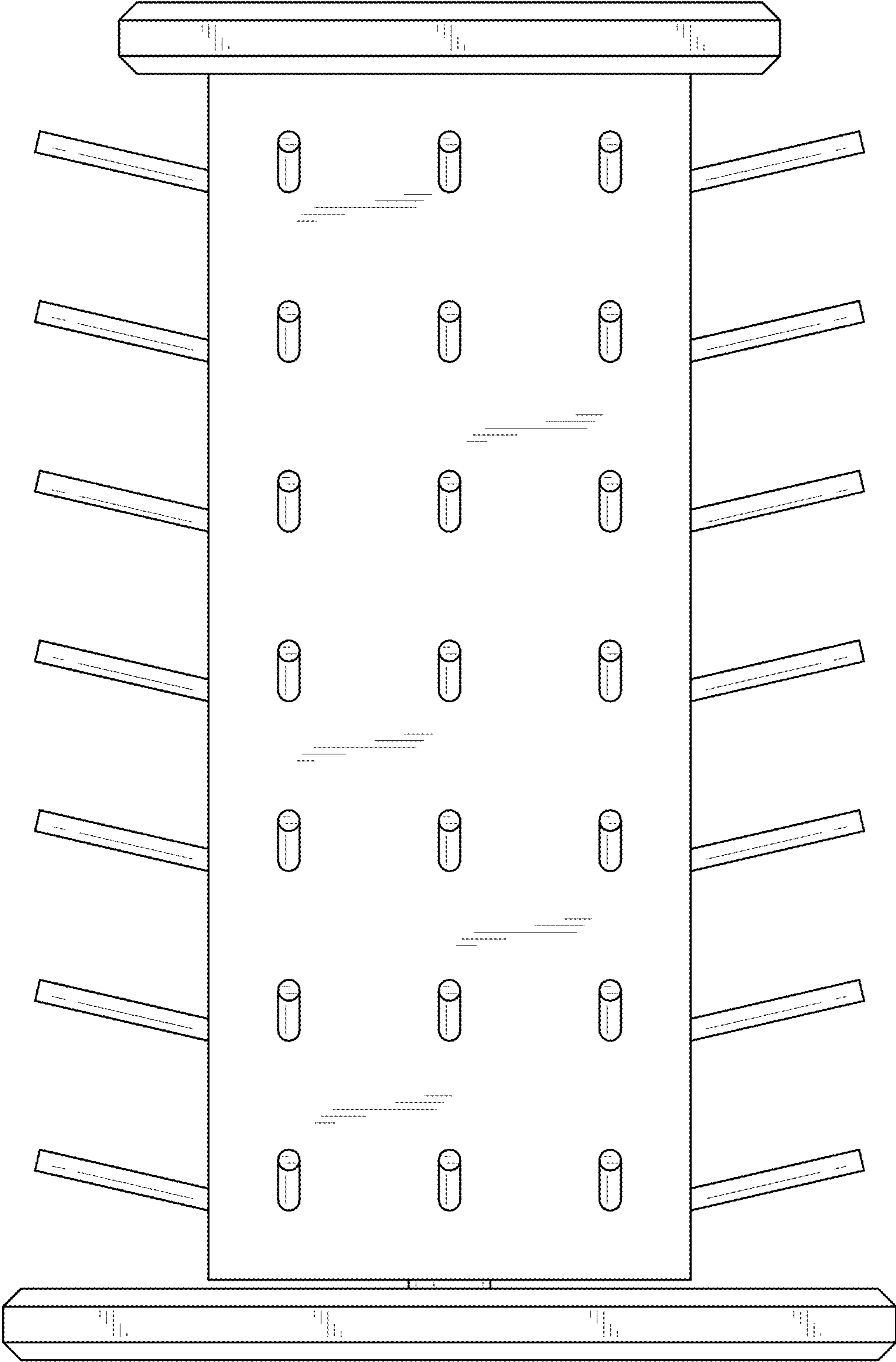


FIG. 4

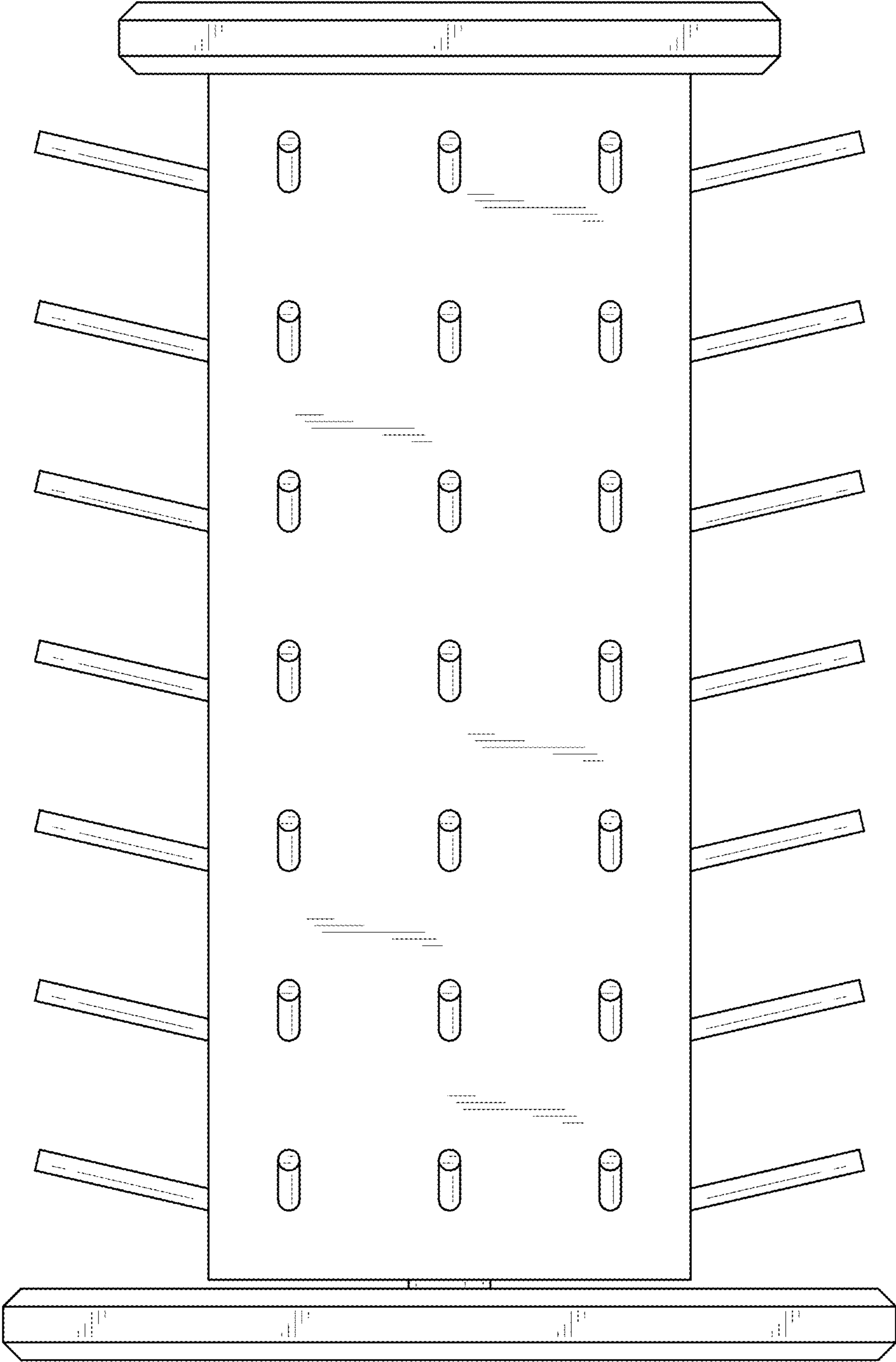


FIG. 5

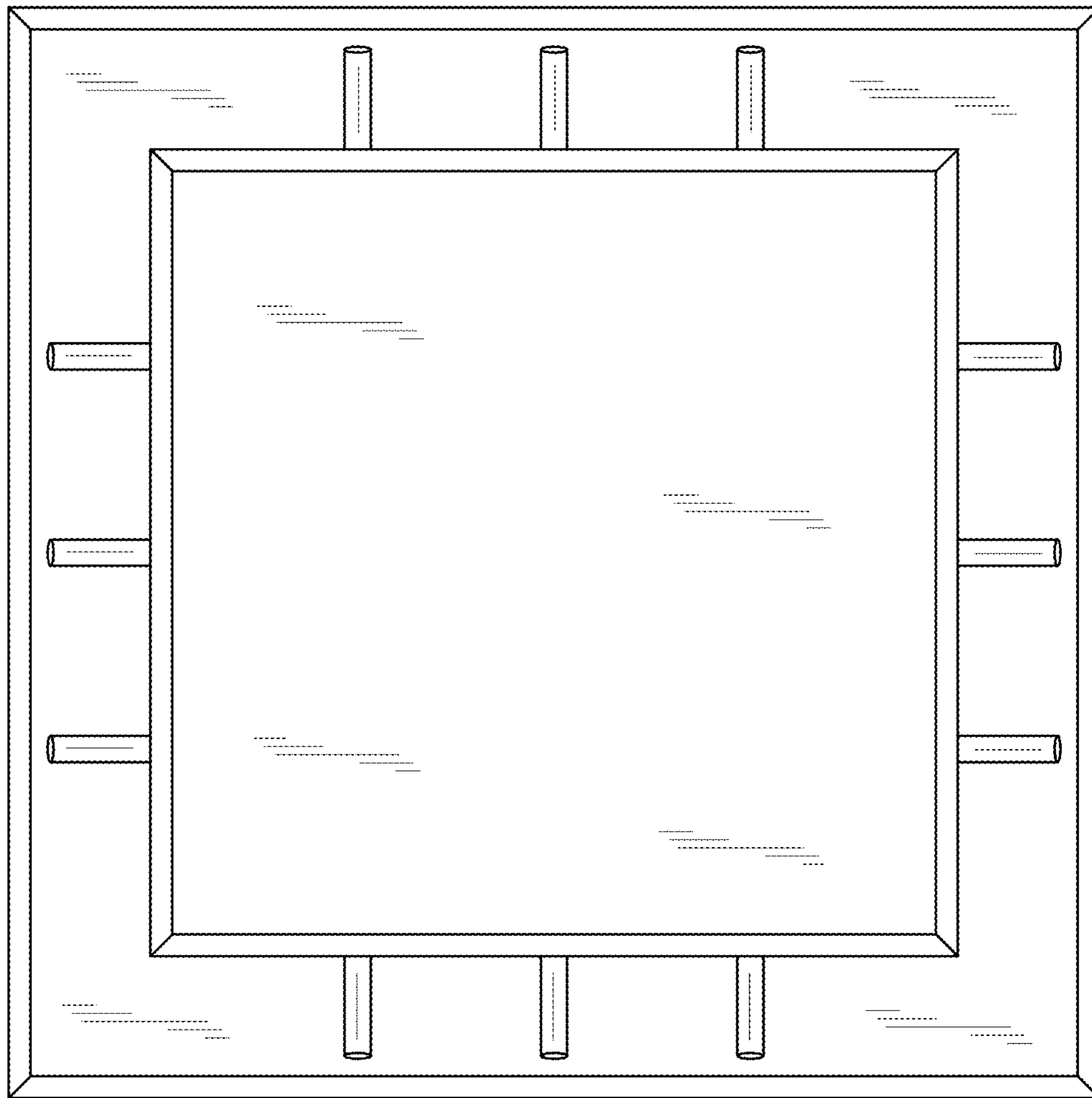


FIG. 6

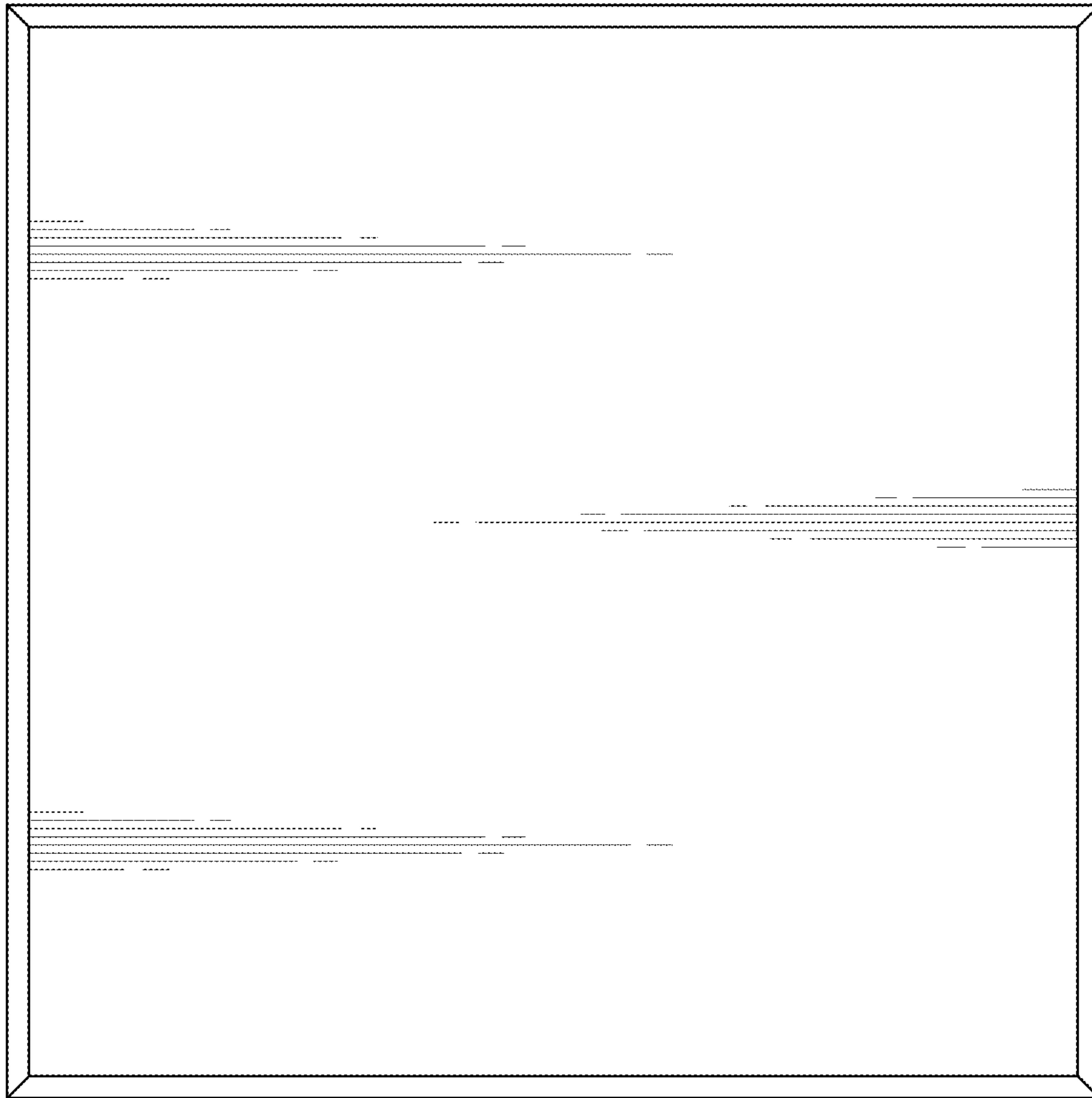


FIG. 7

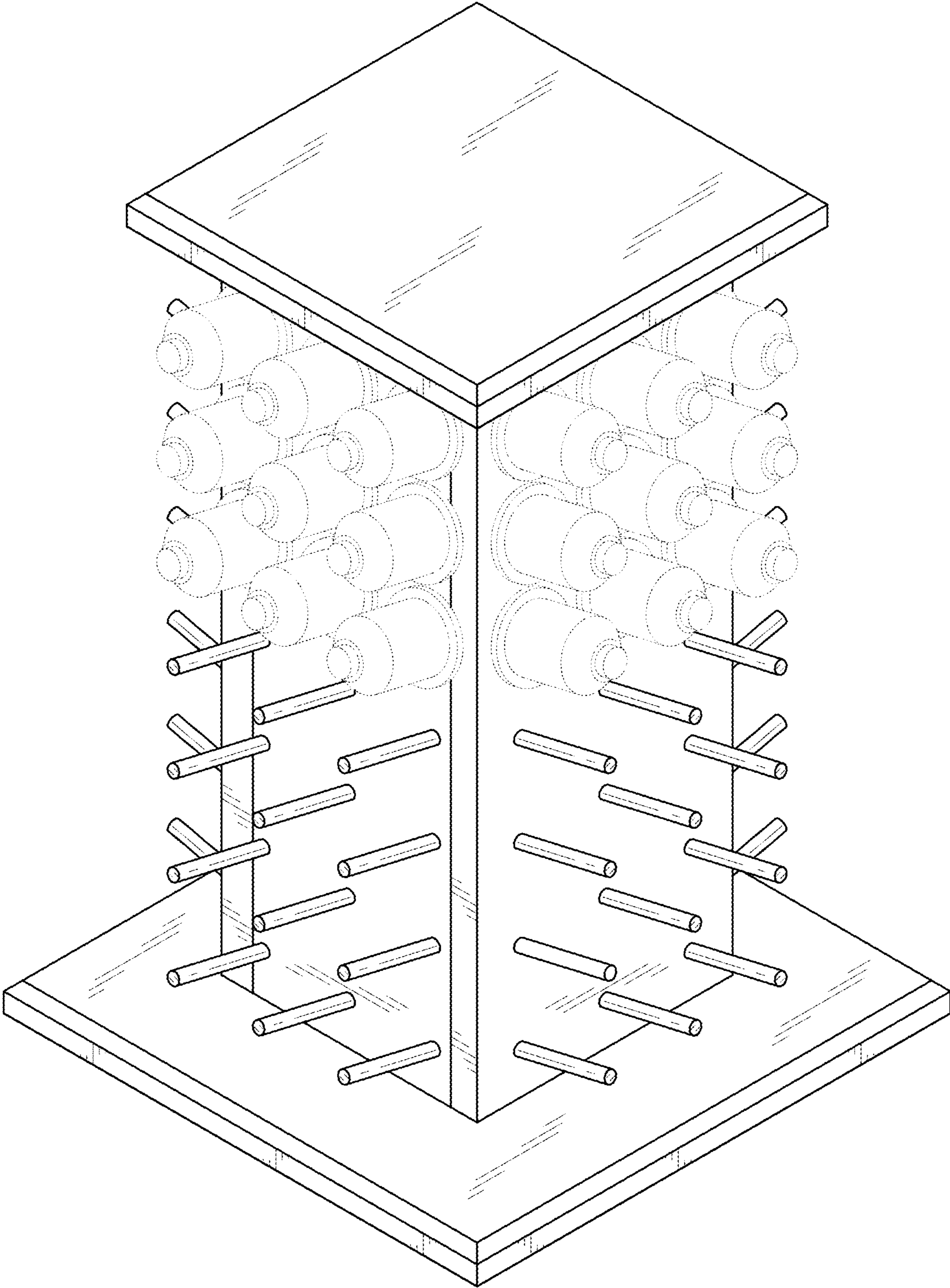


FIG. 8