



US00D918627S

(12) **United States Design Patent**
Perrotti, Jr.

(10) **Patent No.:** **US D918,627 S**
(45) **Date of Patent:** **** May 11, 2021**

- (54) **WATERCRAFT STAND**
- (71) Applicant: **Edward Perrotti, Jr.**, Moultonboro, NH (US)
- (72) Inventor: **Edward Perrotti, Jr.**, Moultonboro, NH (US)
- (73) Assignee: **Kayaksupco LLC**, Moultonboro, NH (US)

- 4,895,381 A * 1/1990 Farlow A47F 7/30
108/106
- D313,715 S * 1/1991 Ohno D6/552
- D369,040 S * 4/1996 Lechleiter D6/672
- D374,363 S * 10/1996 Puzo D6/552
- D377,124 S 1/1997 Stirling et al.
- D377,428 S * 1/1997 Rossdeutscher D34/21
- 5,833,079 A * 11/1998 Roberts A47B 81/00
211/85.7
- D419,349 S 1/2000 Klein et al.
(Continued)

(**) Term: **15 Years**

(21) Appl. No.: **29/677,852**

(22) Filed: **Jan. 24, 2019**

(51) **LOC (13) Cl.** **20-02**

(52) **U.S. Cl.**
USPC **D6/672**

(58) **Field of Classification Search**
USPC D6/672, 675, 675.1–675.5, 681, 681.1,
D6/681.2, 681.3, 682, 682.6, 552;
D19/75, 86, 89, 92; D32/58
CPC B63B 32/80; B63B 32/83; B63B 25/002;
A47B 43/003; A47B 81/00; A47B
81/005; A47F 7/0021; A47F 7/0035
See application file for complete search history.

(56) **References Cited**

U.S. PATENT DOCUMENTS

- D85,502 S 11/1931 Wilhelm
- D139,415 S 11/1944 Brown
- D222,366 S 10/1971 Berger
- D243,906 S * 4/1977 Ware D11/144
- D247,034 S * 1/1978 Brodmann D14/224
- D255,405 S * 6/1980 De Villers D6/552
- D272,400 S * 1/1984 Persch D6/629
- 4,552,270 A * 11/1985 Lentz B62H 3/12
211/17
- D288,509 S * 3/1987 van de Oudeweetering
D6/682
- D291,164 S * 8/1987 Luyk D6/681.2
- D299,100 S * 12/1988 Martinell D6/552

OTHER PUBLICATIONS

Steve's Surf Rack, https://www.amazon.com/6-Level-Freestanding-Surf-Rack-Storage/dp/B0872KWC4D/ref=asc_df_B0872KWC4D/?tag=hyprod-20&linkCode=df0&hvadid=431781375000&hvpos=&hvnetw=g&hvrnd=2502840722123487617&hvpon=&hvptwo=&hvqmt=&hvdev=c&hvdvcmdl=&hvlocint=&hvlocphy=9059726&hvtarg (Year: 2020).*

Primary Examiner — Steven J Czyz
(74) *Attorney, Agent, or Firm* — Dunlap Bennett & Ludwig, PLLC

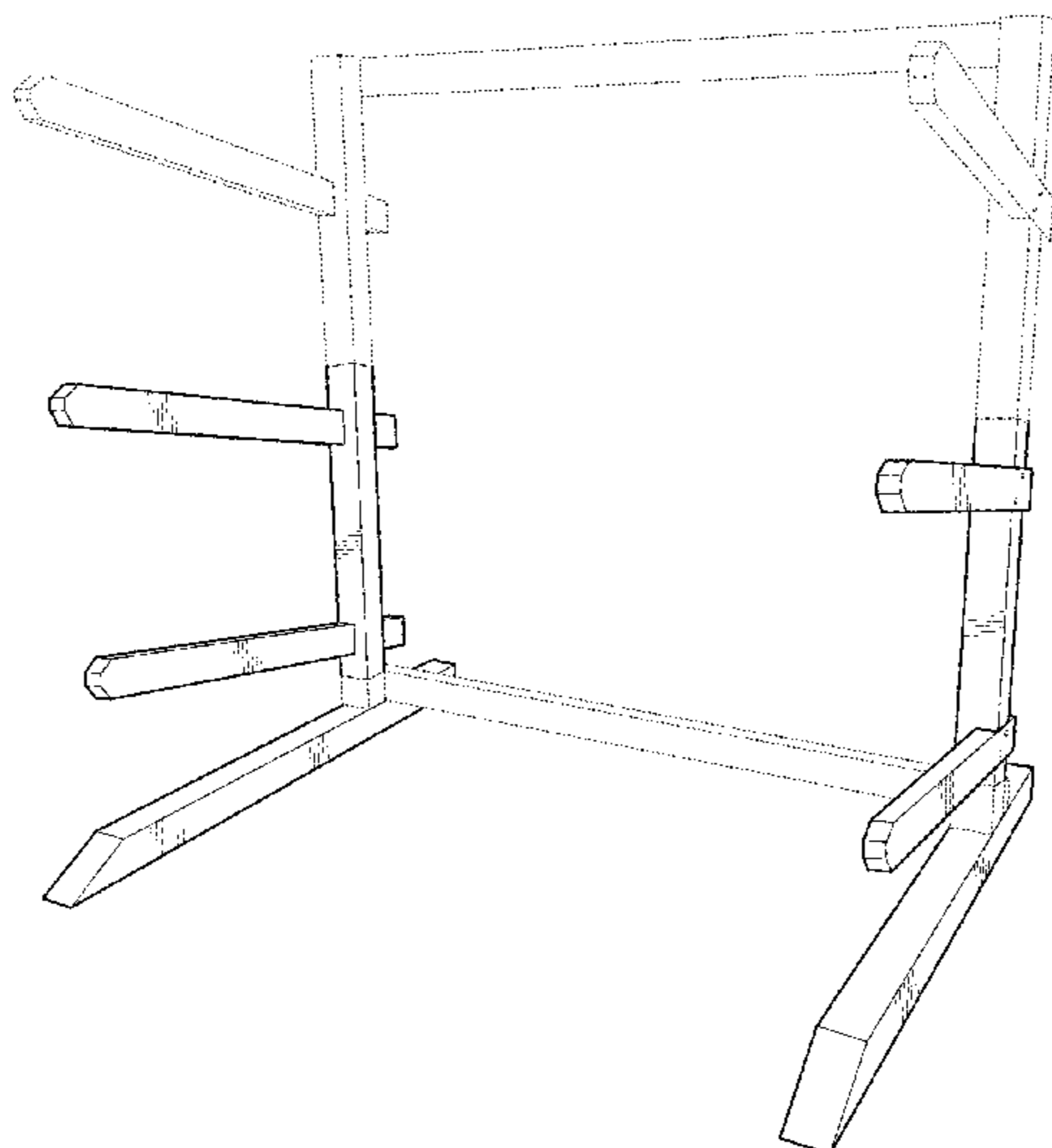
(57) **CLAIM**

The ornamental design for a watercraft stand, as shown and described.

DESCRIPTION

FIG. 1 is a perspective view of a watercraft stand, showing my new design;
FIG. 2 is a right-side elevation view thereof;
FIG. 3 is a left-side elevation thereof;
FIG. 4 is a front elevation view thereof;
FIG. 5 is a rear elevation view thereof;
FIG. 6 is a top plan view thereof; and,
FIG. 7 is a bottom plan view thereof.
In the drawings, the evenly-spaced broken lines depict portions of the article that form no part of the claimed design; the dash-dot-dash lines represent the boundary of the claimed design and forms no part thereof.

1 Claim, 7 Drawing Sheets



(56)

References Cited

U.S. PATENT DOCUMENTS

6,129,224	A *	10/2000	Mingers	A47B 57/482 211/190
6,138,841	A	10/2000	Klein et al.		
6,164,465	A *	12/2000	Schroeder	A47B 43/00 211/85.7
6,175,498	B1 *	1/2001	Conroy	G01R 31/2849 165/104.33
6,216,887	B1 *	4/2001	Soo	A47G 25/0671 211/189
6,390,309	B1 *	5/2002	Tucker	B63B 32/80 211/85.7
D480,350	S *	10/2003	Ho	D12/408
D495,531	S *	9/2004	Allshouse	D6/672
D499,672	S *	12/2004	Thompson	D12/115
D500,416	S *	1/2005	Sparkowski	D6/672
D506,516	S	6/2005	Yang		
7,213,713	B2 *	5/2007	Matsui	A47B 81/005 211/85.7
D554,391	S *	11/2007	Kostigian	D6/552
D557,543	S *	12/2007	Hanson	D6/570
D557,544	S *	12/2007	Mashinske	D6/570
D563,135	S *	3/2008	Lien	D6/552
D563,695	S *	3/2008	Yamaguchi	D6/675.3
D565,132	S *	3/2008	Lien	D21/686
D569,656	S *	5/2008	Musick	D6/681.3
D601,841	S *	10/2009	Neufeld	D6/570
D603,637	S	11/2009	Anderson et al.		
D640,485	S *	6/2011	Dugger	D6/681.1
D644,054	S *	8/2011	O'Dell	D6/570
D644,055	S *	8/2011	O'Dell	D6/570
8,042,229	B2	10/2011	Wang		
D677,504	S	3/2013	Childs		
D692,261	S *	10/2013	Sharp	D6/672
D720,164	S *	12/2014	Parrish	D6/675.5
D729,554	S *	5/2015	Denby	D6/681
9,044,090	B2 *	6/2015	Drake	A47B 57/34
D749,343	S *	2/2016	Bergsten	D6/682
D763,585	S	8/2016	Morozan		
D776,956	S *	1/2017	Ma	D6/552
D781,080	S *	3/2017	Jordan	D6/675.1
D785,381	S *	5/2017	Johnson	D6/681
9,669,907	B2 *	6/2017	Field	A47B 43/006
10,118,678	B2 *	11/2018	Dias	B63B 32/80
D842,014	S *	3/2019	Qiu	D6/681.2
D862,946	S *	10/2019	Hyland	D6/672
2003/0178382	A1 *	9/2003	Tucker	A47B 81/00 211/85.7
2011/0198305	A1	8/2011	Geoffrey		

* cited by examiner

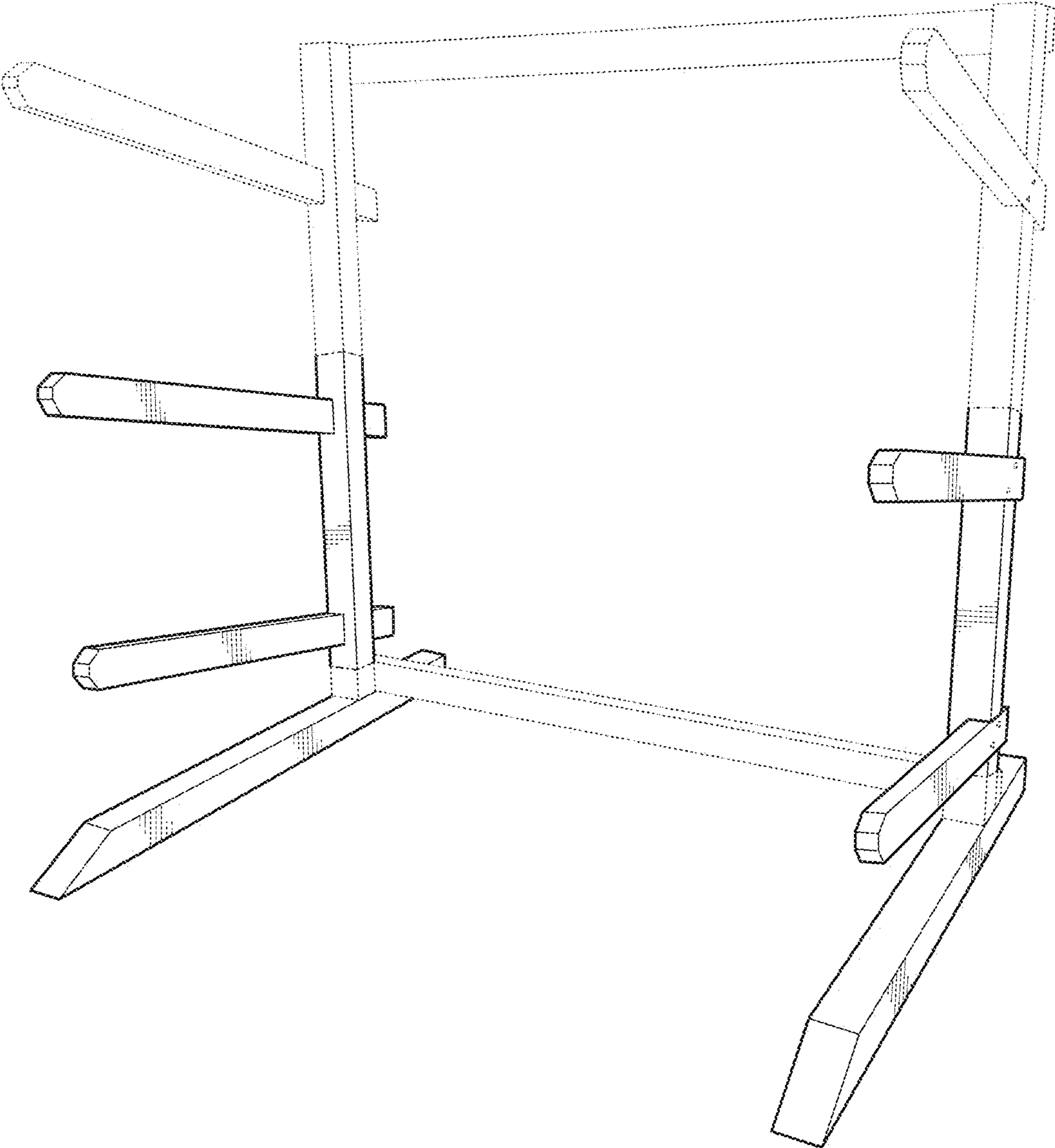


FIG. 1

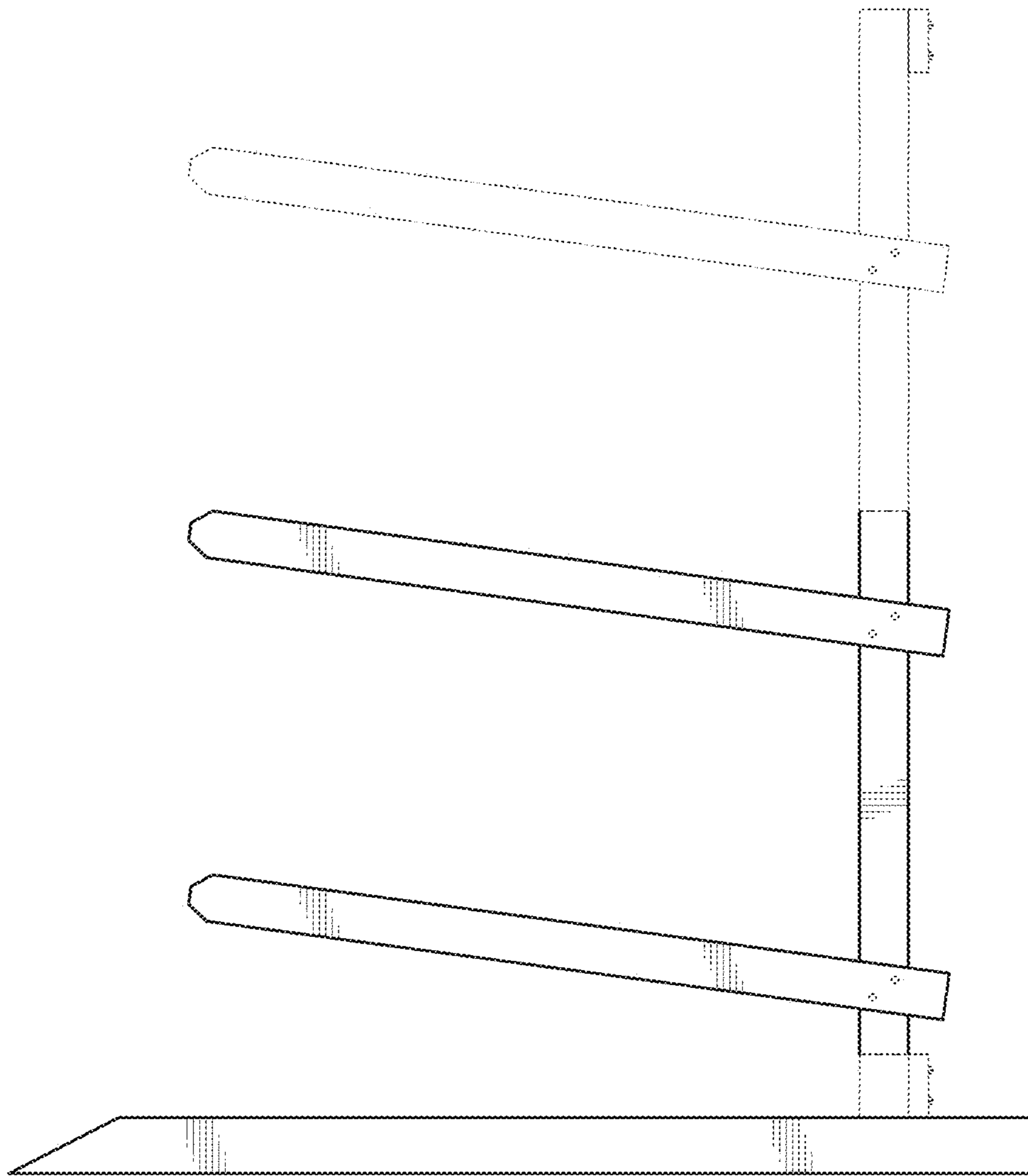


FIG. 2

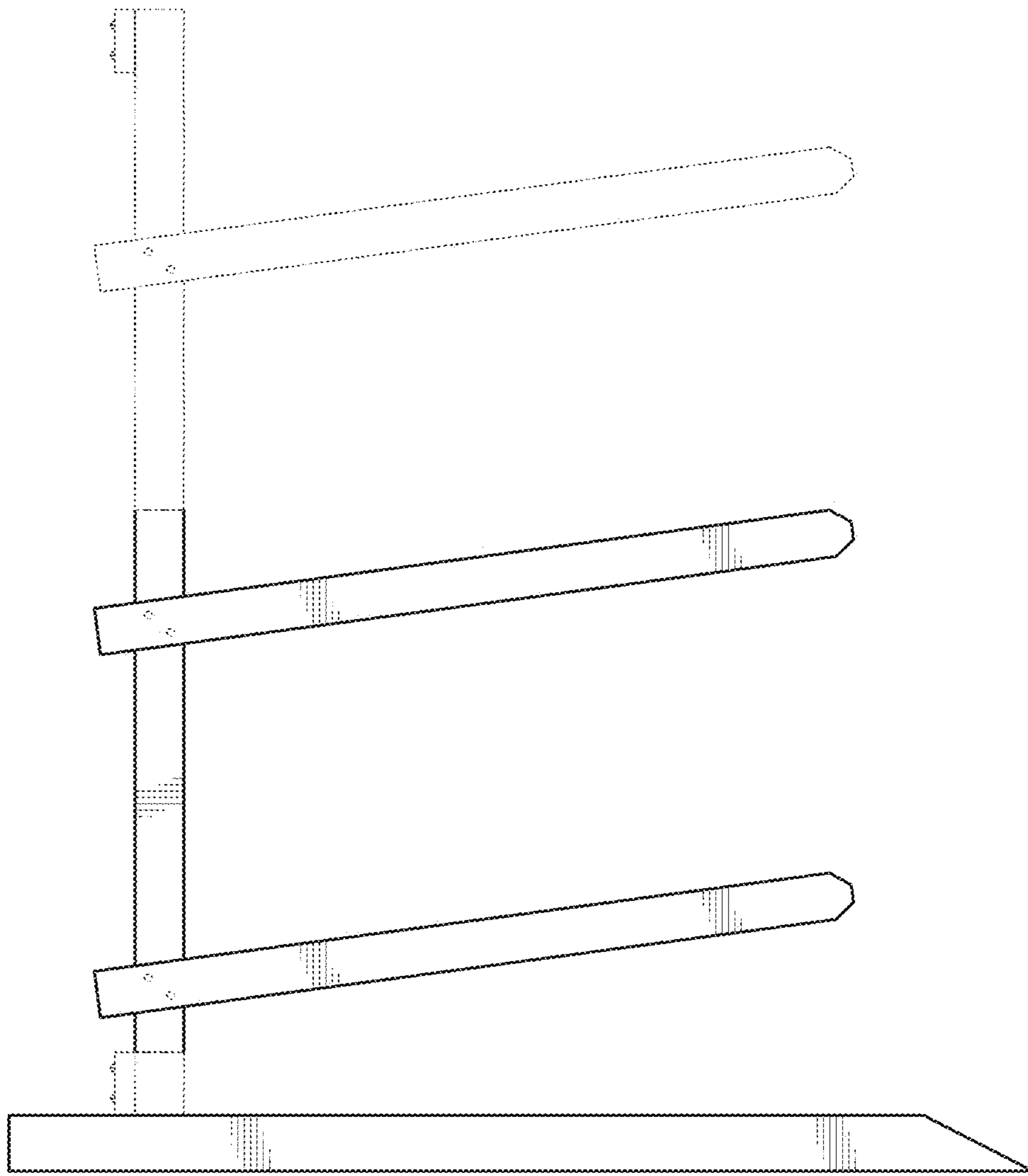


FIG. 3

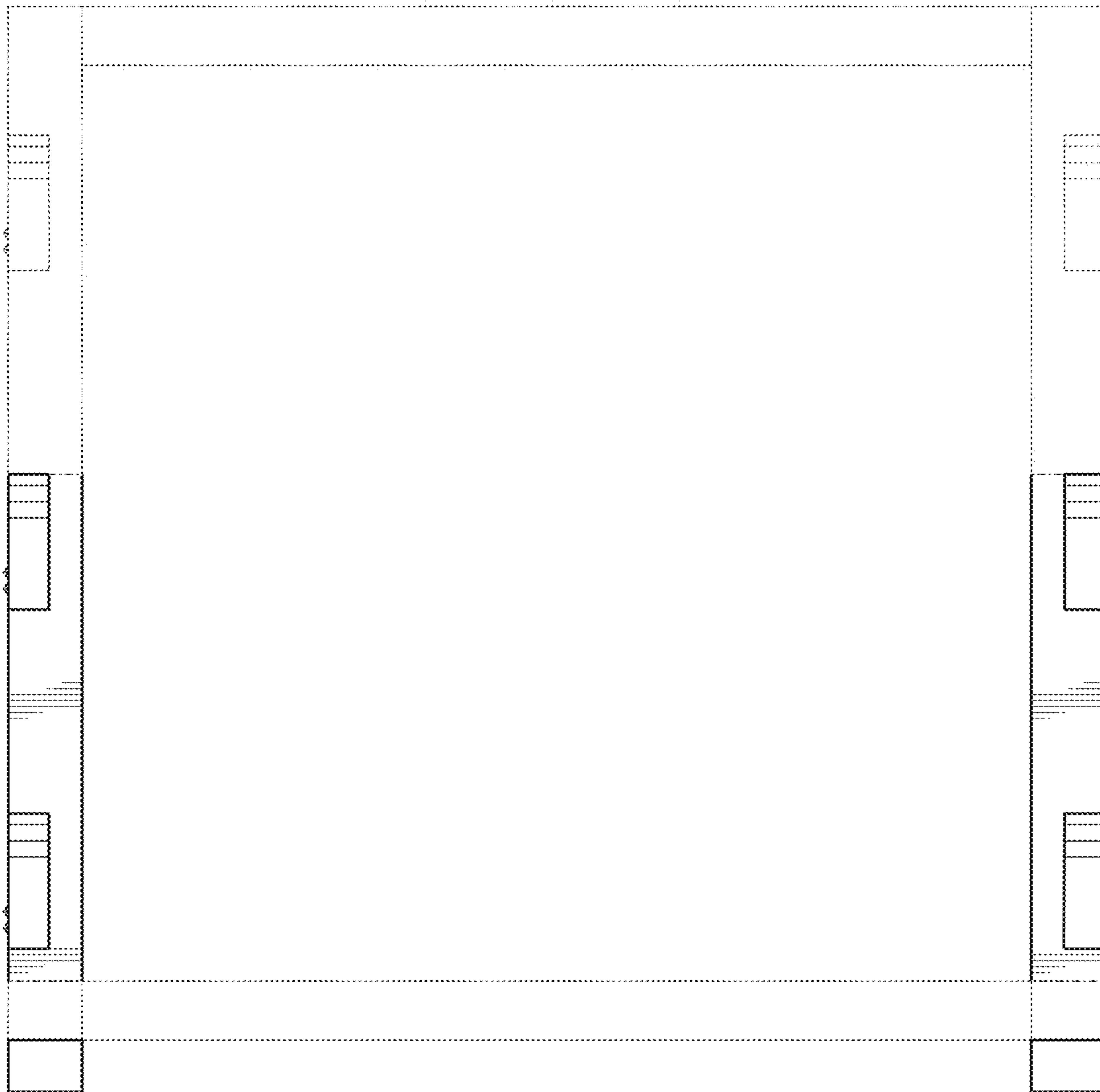


FIG. 4

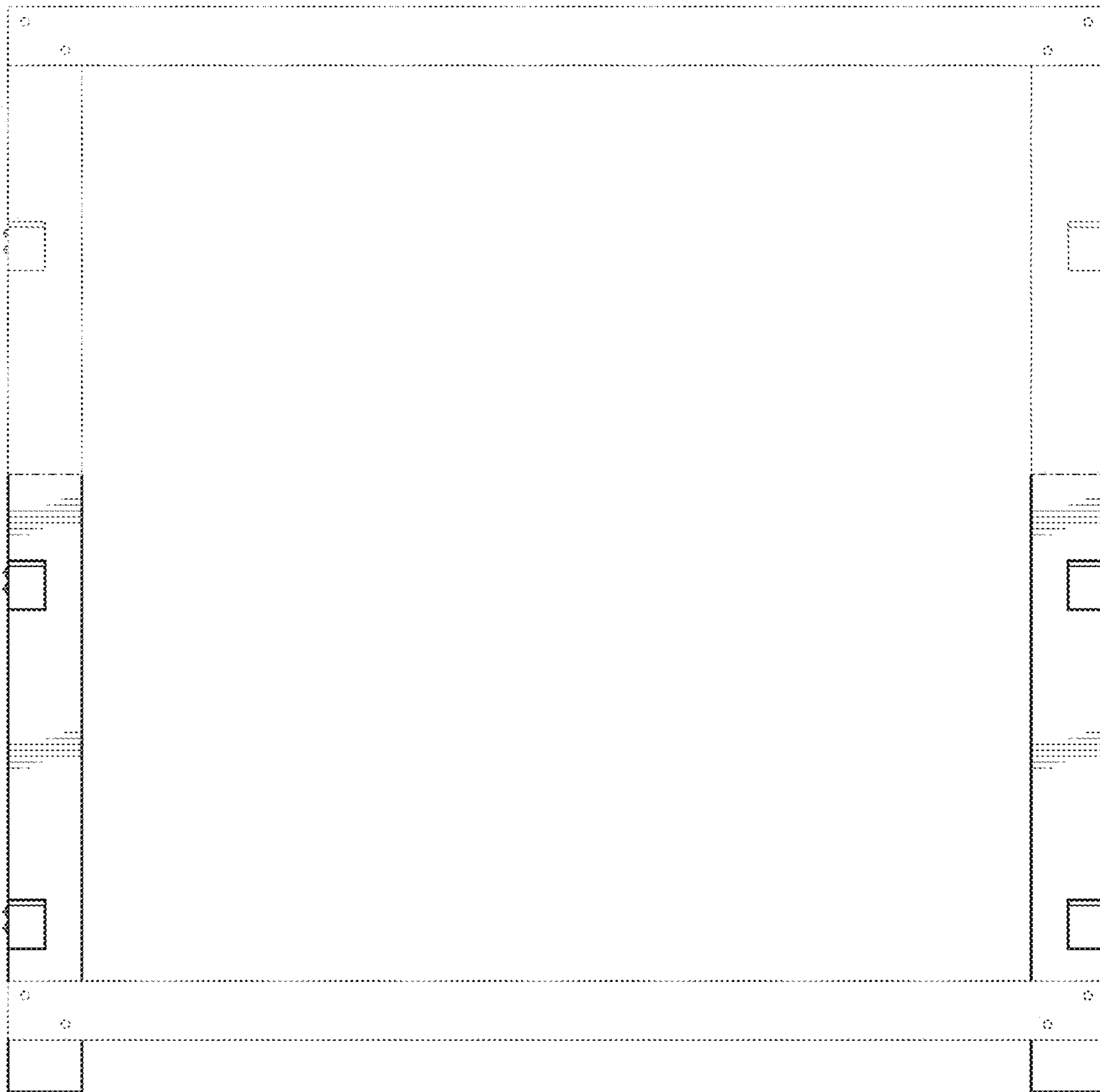


FIG. 5

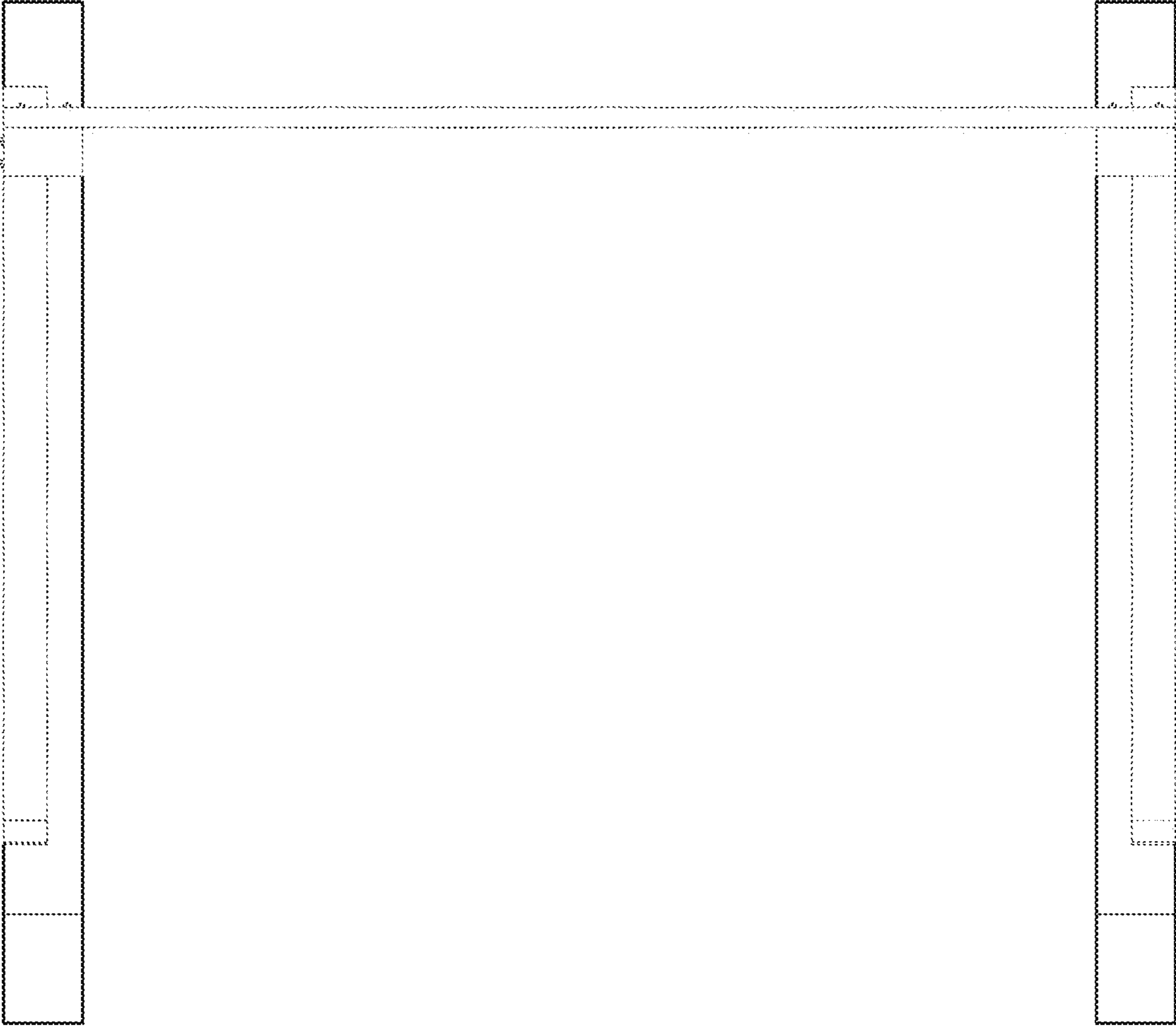


FIG. 6

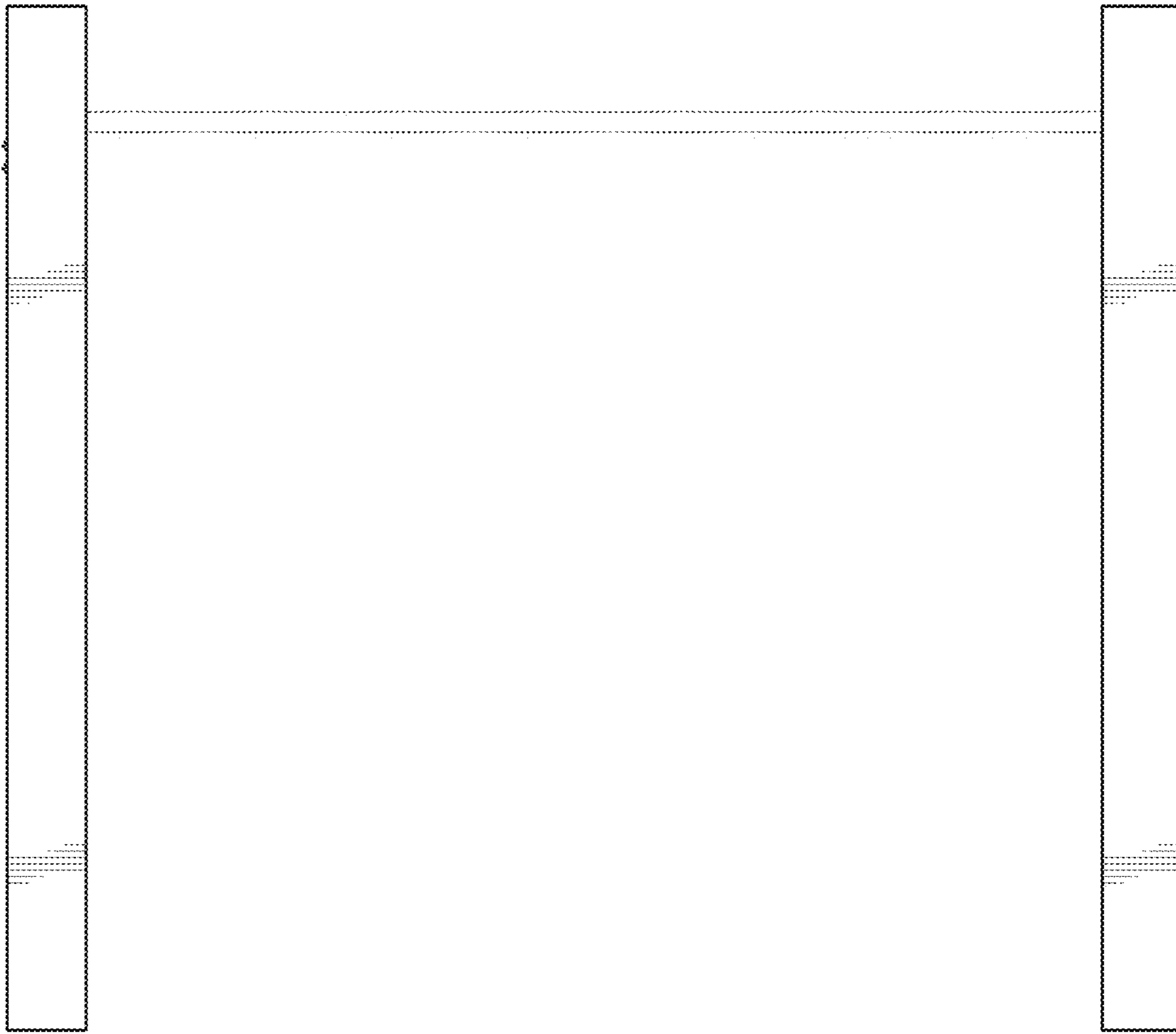


FIG. 7