



US00D918625S

(12) **United States Design Patent**  
**Xu**

(10) **Patent No.:** **US D918,625 S**

(45) **Date of Patent:** **\*\* May 11, 2021**

- (54) **JEWELRY BOX**
- (71) Applicant: **AN HUI MAO XIN HOUSEHOLD CRAFTS CO., LTD**, Suzhou (CN)
- (72) Inventor: **Yan Xu**, Yiwu (CN)
- (\*\*) Term: **15 Years**
- (21) Appl. No.: **29/748,745**
- (22) Filed: **Sep. 1, 2020**
- (51) **LOC (13) Cl.** ..... **06-04**
- (52) **U.S. Cl.**  
USPC ..... **D6/667**
- (58) **Field of Classification Search**  
USPC ..... D6/663, 664, 664.1, 667, 671, 671.1, 671.2, 671.3, 671.4; D3/295, 296, D3/297, 298, 903  
CPC ..... A47B 17/04; A47B 47/00; A47B 47/04; A47B 57/00; A47B 67/00; A47B 67/04; A47B 88/00; A47B 88/40; A47B 88/42; A47B 49/004; A47B 88/90; A45C 11/16; G09F 5/02; A47C 7/021; A47C 7/03  
See application file for complete search history.

3,000,685 A *	9/1961	Gross .....	A45C 11/16 312/290
D278,397 S *	4/1985	Frankenreiter .....	D6/667
D361,430 S *	8/1995	Mohundro .....	D3/297
D402,106 S *	12/1998	Buckingham .....	D3/295
D417,783 S *	12/1999	Wolf .....	D3/903
D475,197 S *	6/2003	Stoddard .....	D3/296
D485,067 S *	1/2004	Wolf .....	D3/295
D513,672 S *	1/2006	Meyer .....	D6/667
D528,794 S *	9/2006	Lanham et al.	
D730,660 S *	6/2015	Chen .....	D6/667
D809,298 S	2/2018	Zhu	
D878,113 S	3/2020	Leonorovitz	

\* cited by examiner

*Primary Examiner* — Mimosa De

(57) **CLAIM**

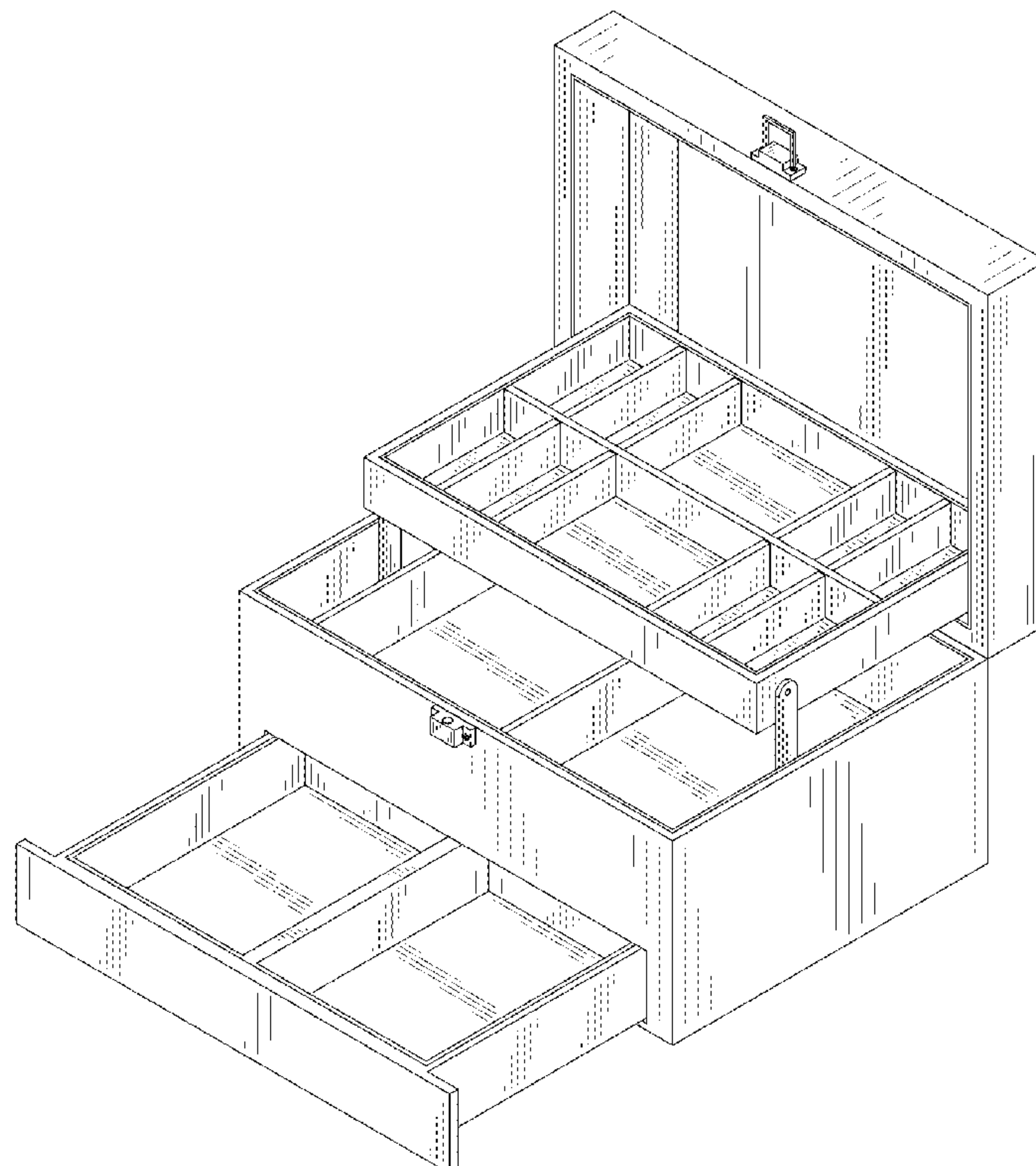
The ornamental design for a jewelry box, as shown and described.

**DESCRIPTION**

FIG. 1 is a first perspective view of a jewelry box showing my new design;  
 FIG. 2 is a second perspective view thereof;  
 FIG. 3 is a front view thereof;  
 FIG. 4 is a back view thereof;  
 FIG. 5 is a left side view thereof;  
 FIG. 6 is a right side view thereof;  
 FIG. 7 is a top view thereof; and,  
 FIG. 8 is a bottom view thereof.

**1 Claim, 8 Drawing Sheets**

- (56) **References Cited**  
U.S. PATENT DOCUMENTS  
D4,841 S \* 4/1871 Farmer ..... D6/667  
2,564,122 A \* 8/1951 Mele ..... A45C 11/16  
312/204  
2,755,154 A \* 7/1956 Mele ..... A45C 11/16  
312/274



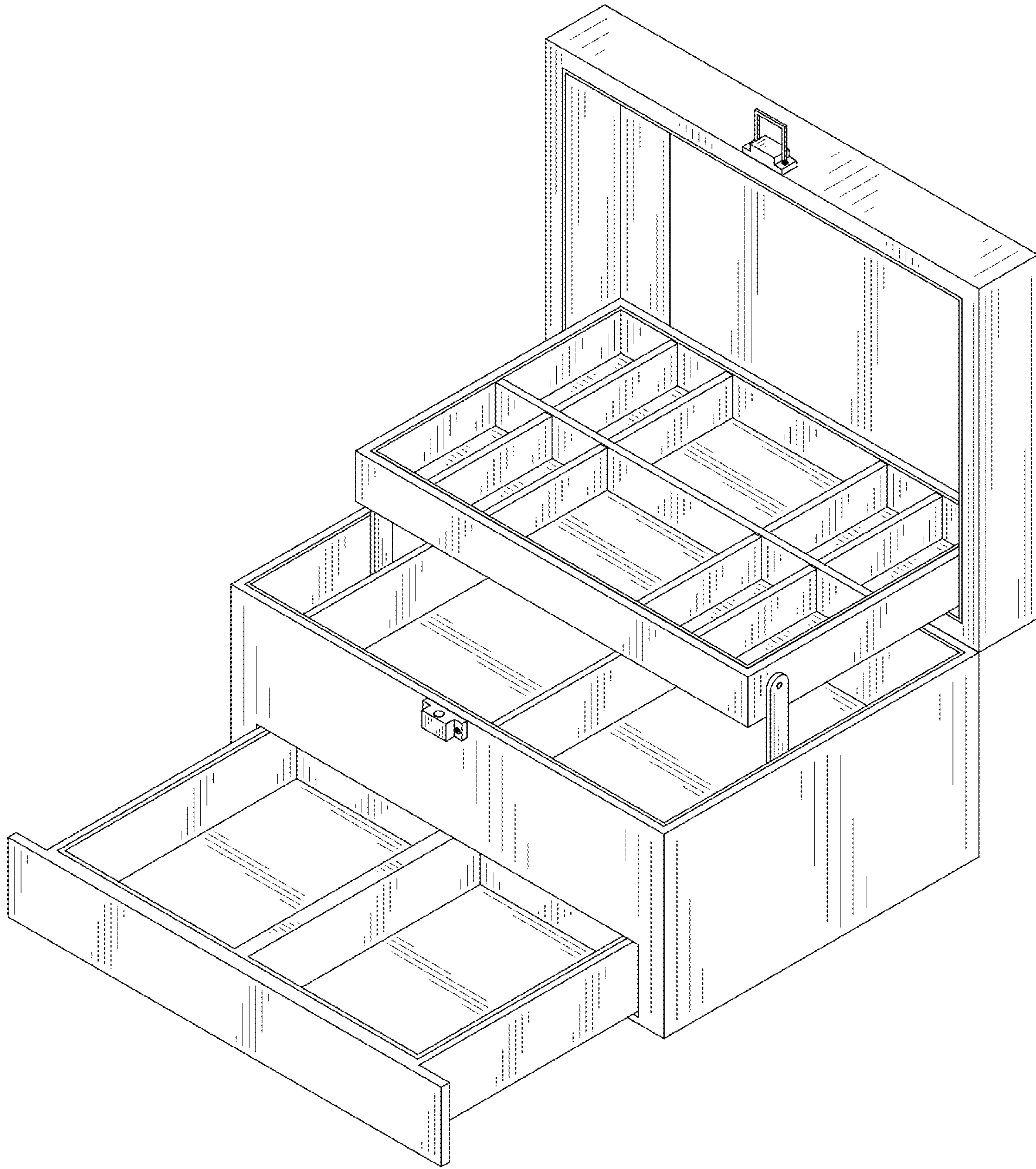


FIG. 1

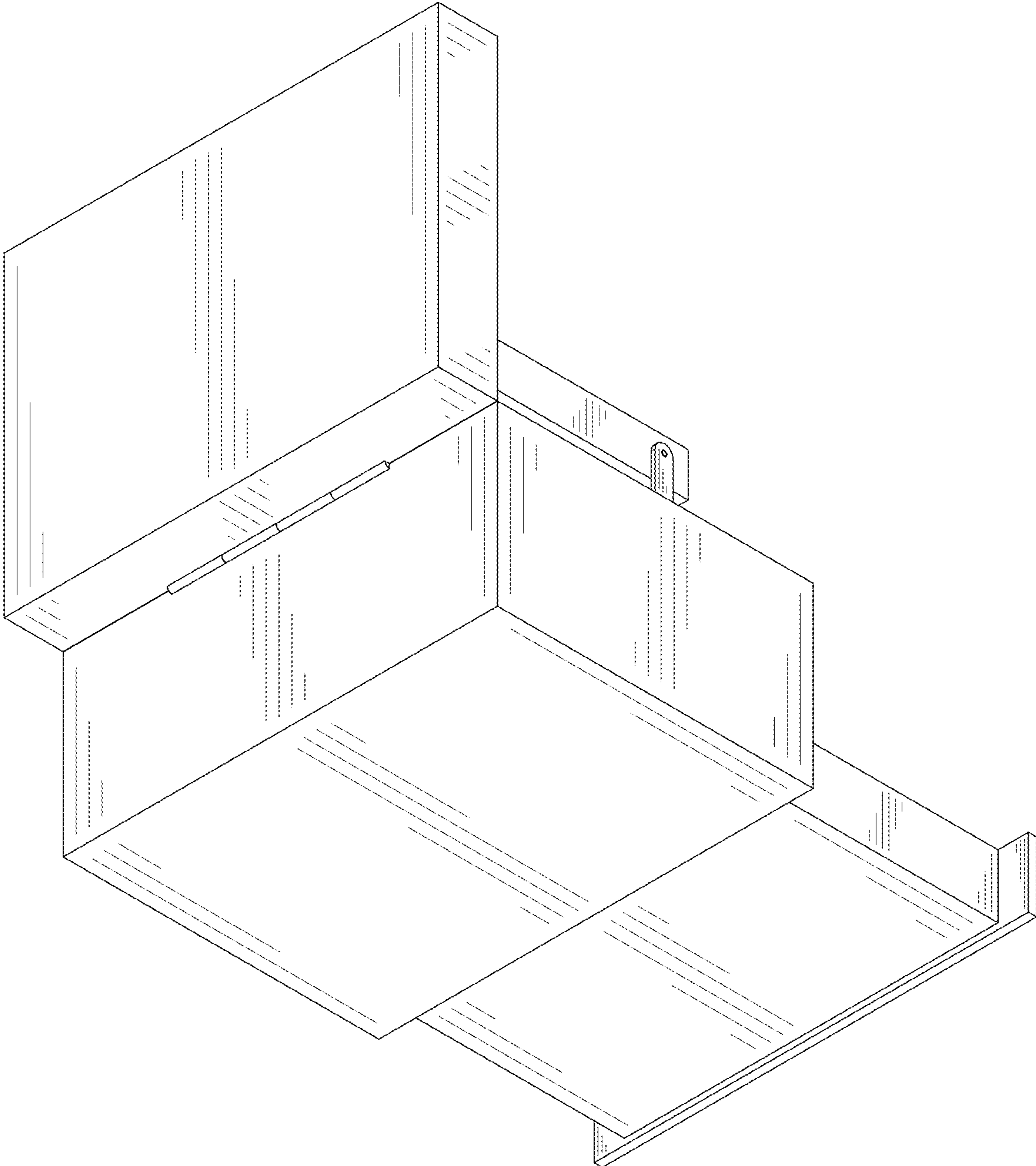


FIG. 2

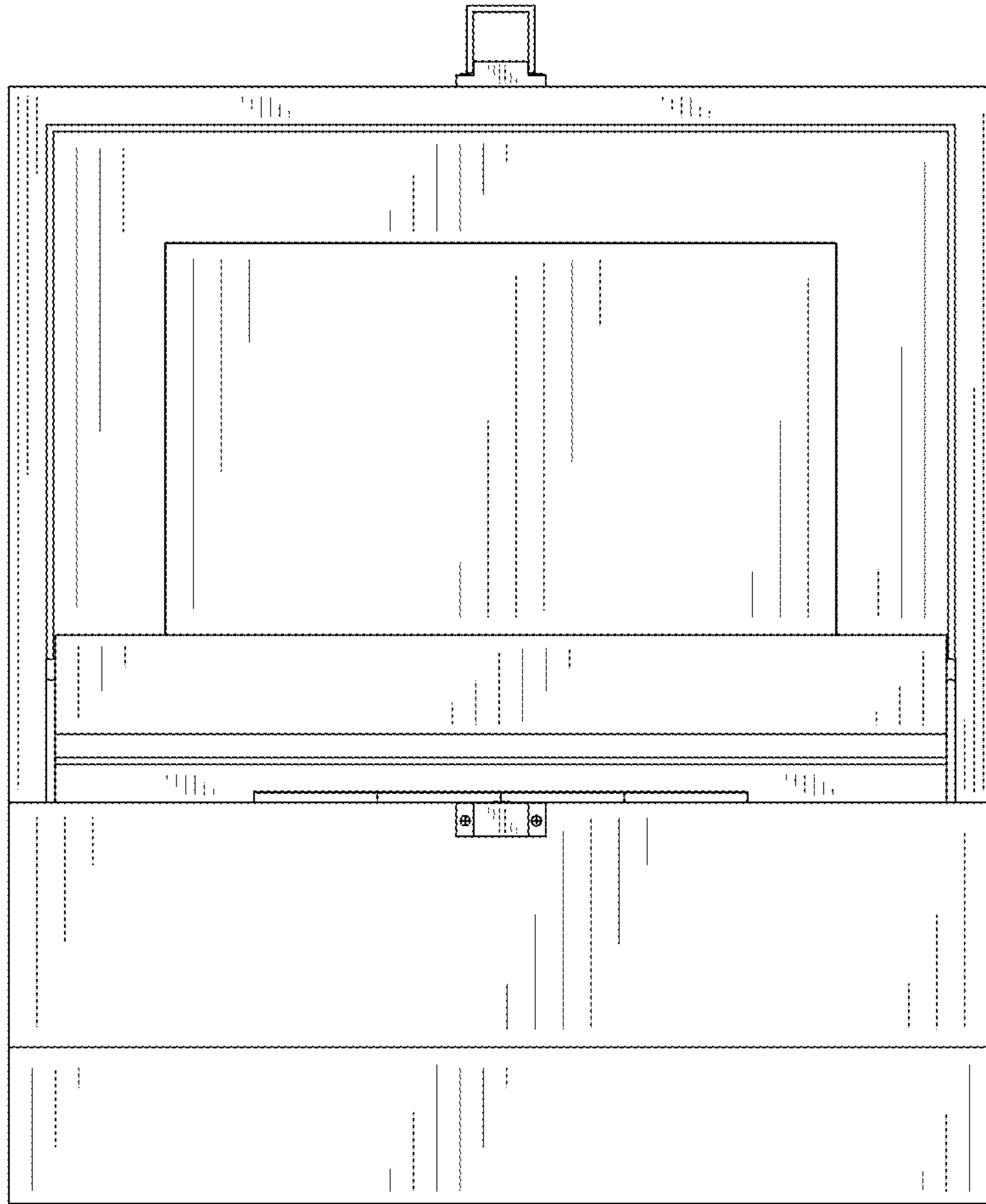


FIG. 3



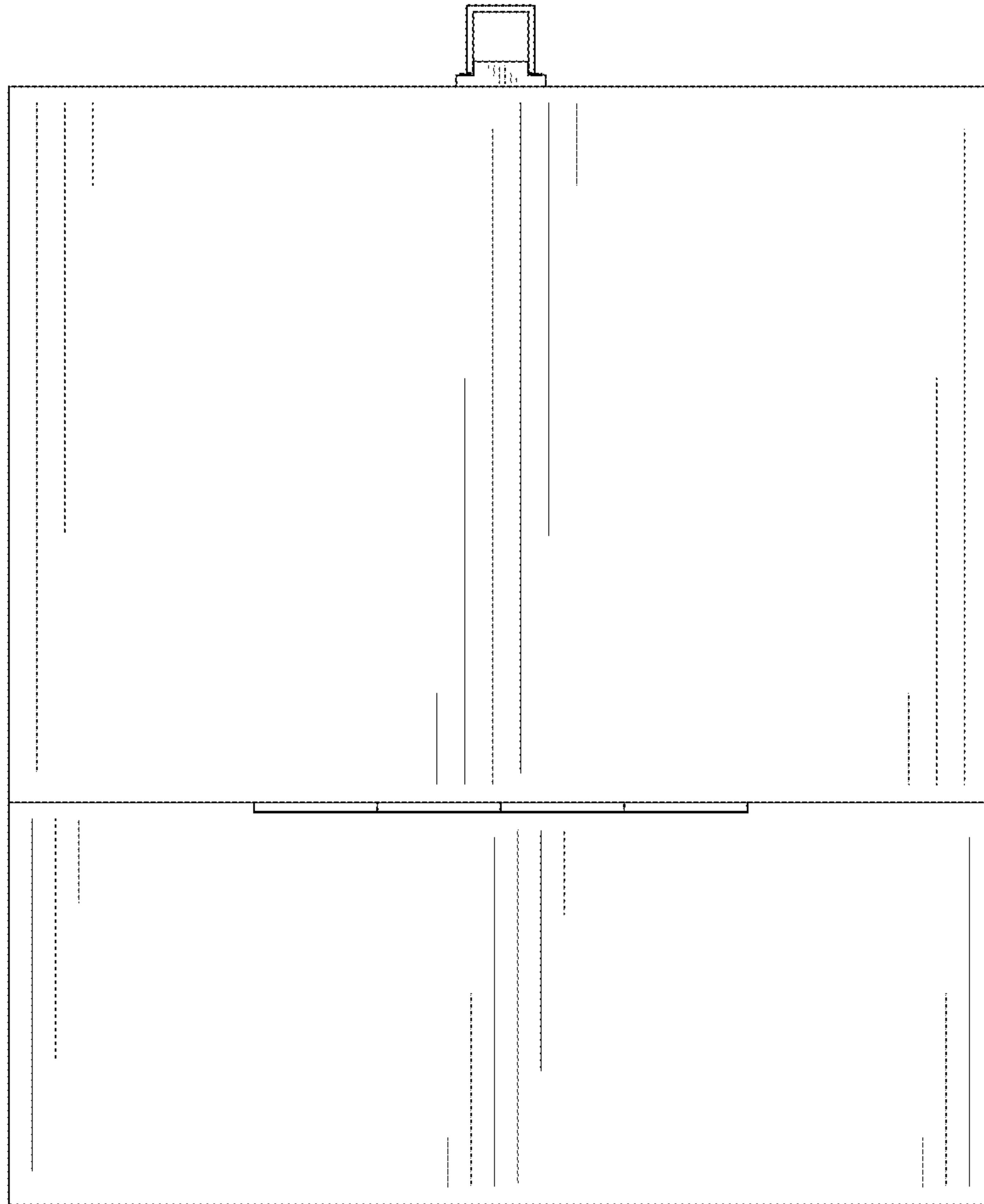


FIG. 4

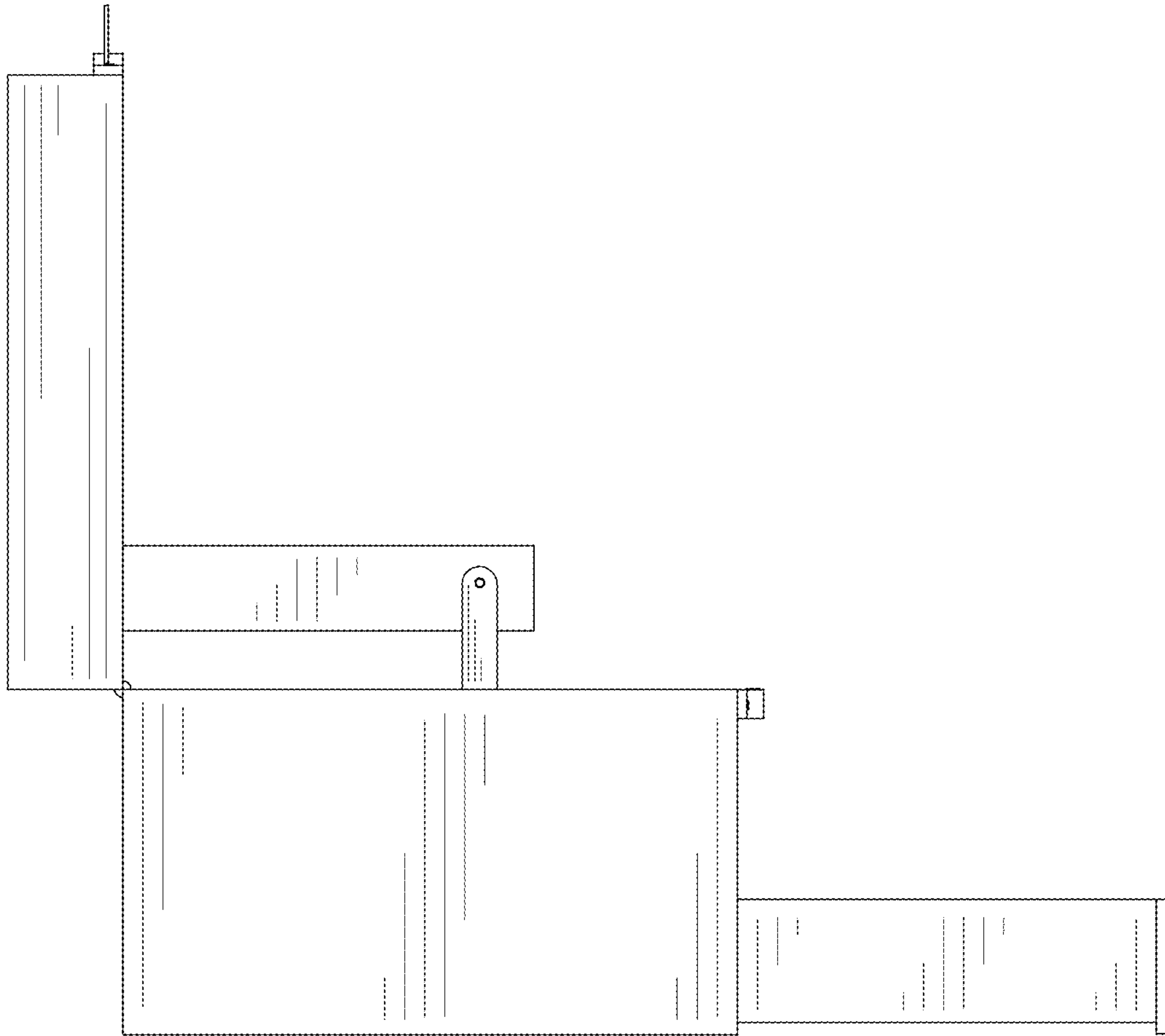


FIG. 5

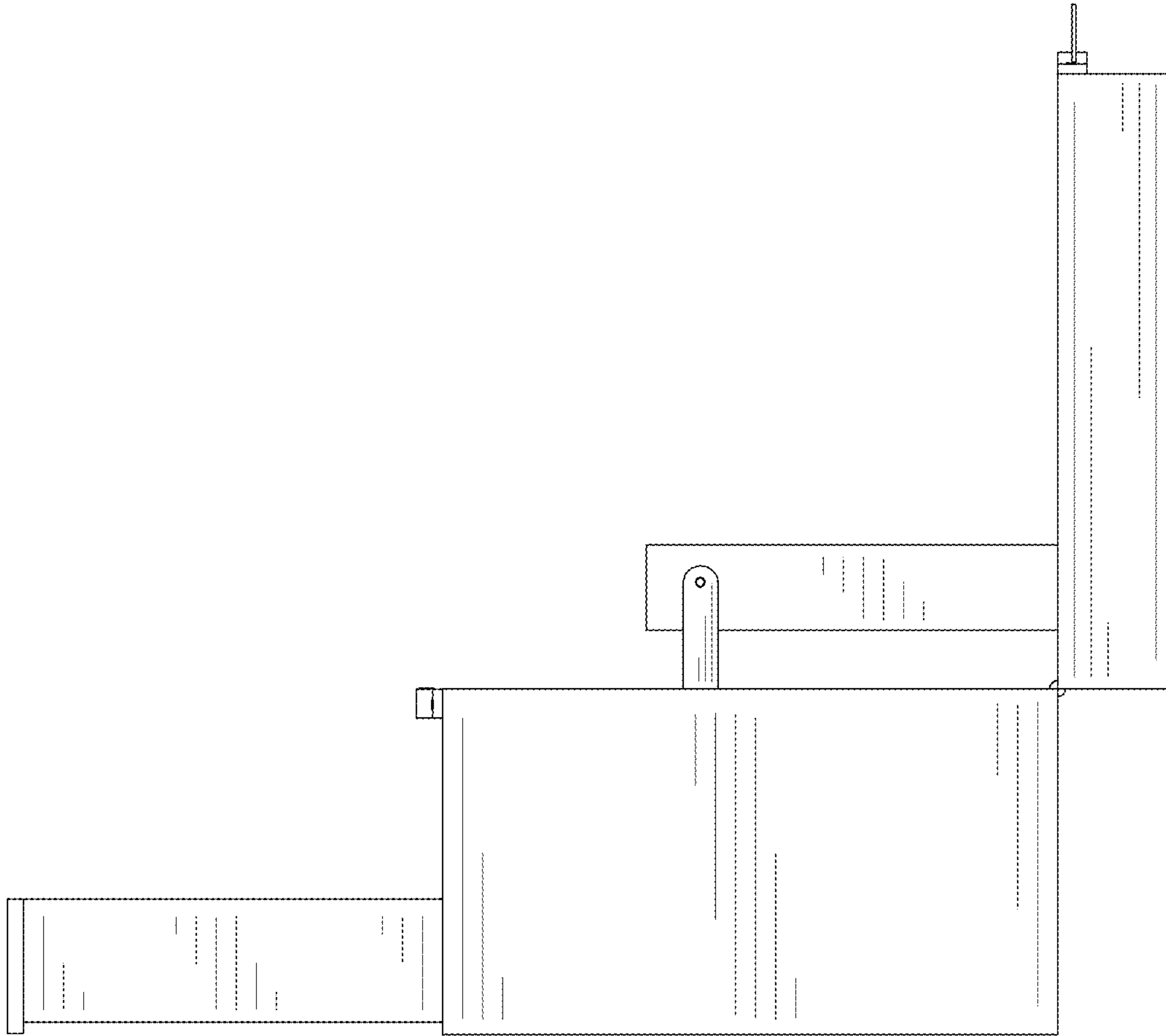


FIG. 6

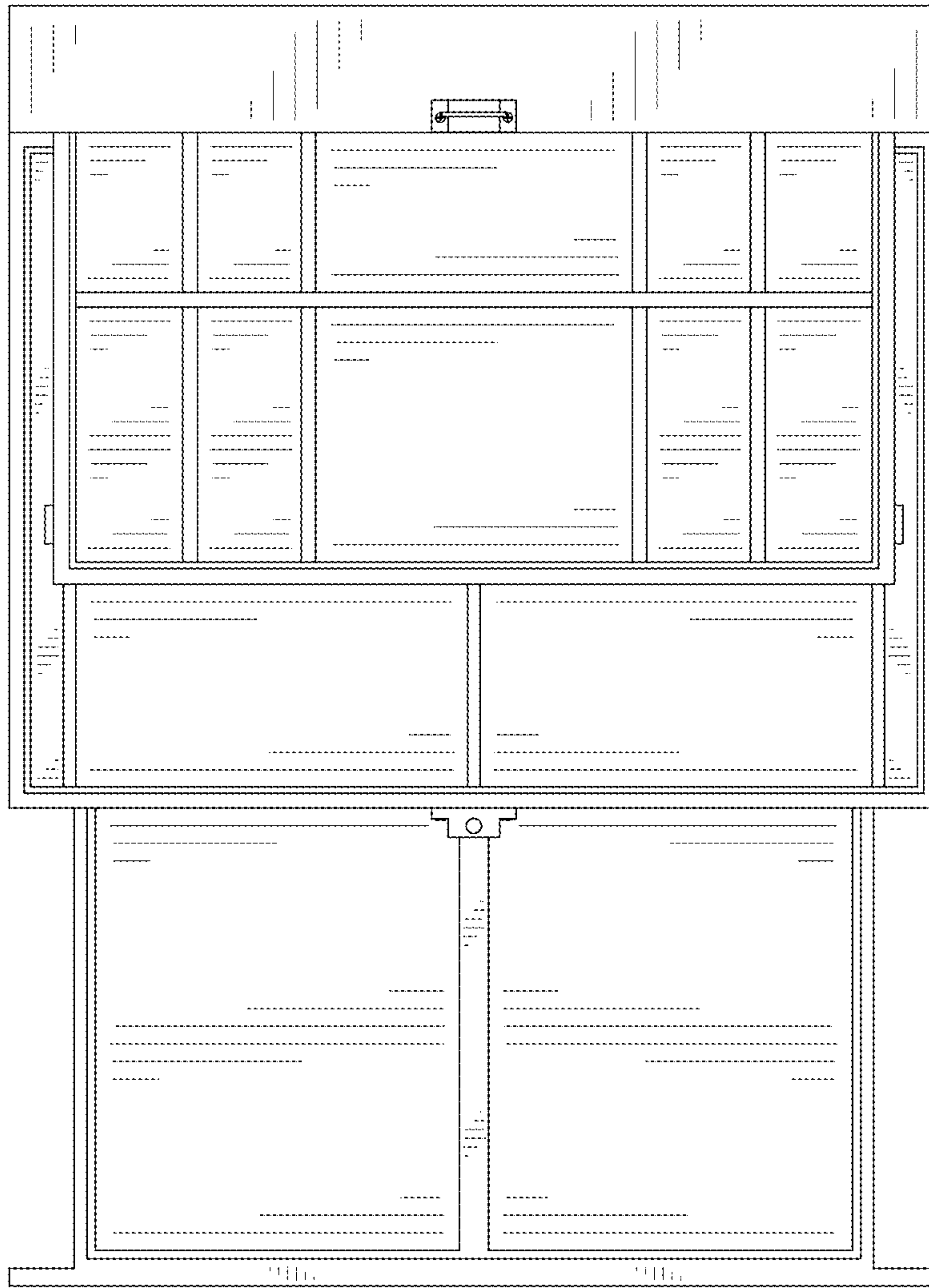


FIG. 7



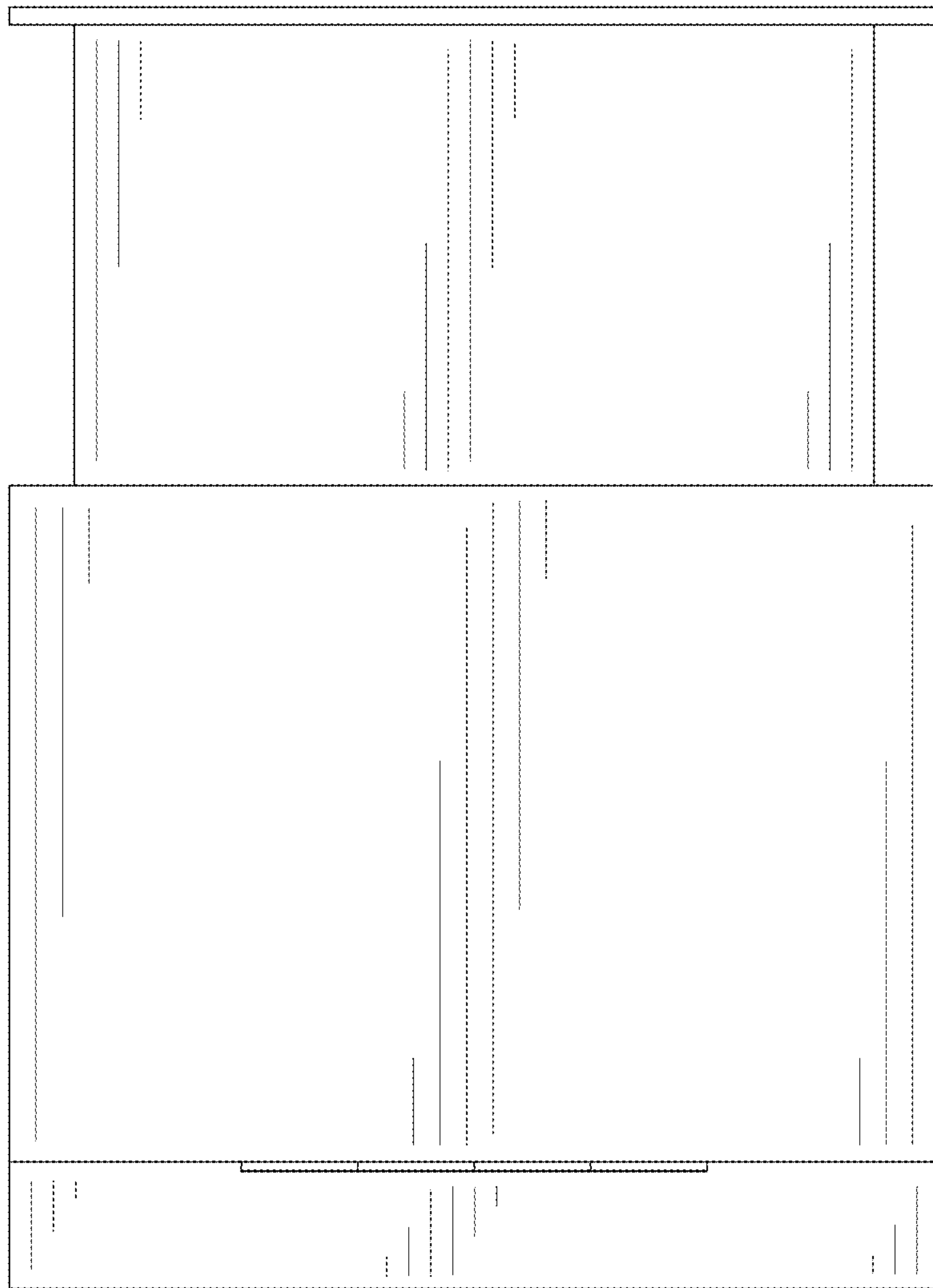


FIG. 8