



US00D918624S

(12) **United States Design Patent**  
**Weitzman**

(10) **Patent No.:** **US D918,624 S**

(45) **Date of Patent:** **\*\* May 11, 2021**

(54) **PILLOW**

(71) Applicant: **SNUGELL, LLC**, Hialeah, FL (US)

(72) Inventor: **Maxim Weitzman**, Hialeah, FL (US)

(\*\*) Term: **15 Years**

(21) Appl. No.: **29/730,667**

(22) Filed: **Apr. 7, 2020**

(51) **LOC (13) Cl.** ..... **06-09**

(52) **U.S. Cl.**  
USPC ..... **D6/601**

(58) **Field of Classification Search**  
USPC ..... D6/582-583, 587-592, 595-609,  
D6/617-622, 333; D21/803-809;  
D24/183

CPC ..... A47G 9/00; A47G 2009/001; A47G  
2009/002; A47G 2009/003; A47G 9/10;  
A47G 9/1009; A47G 2009/1018; A47G  
9/1045; A47G 9/1081; A47G 9/109

See application file for complete search history.

(56) **References Cited**

**U.S. PATENT DOCUMENTS**

D485,436 S \* 1/2004 Vazquez ..... D3/274  
D643,591 S \* 8/2011 Malcolm ..... D2/610

10,638,860 B1 \* 5/2020 Duncan ..... A47G 9/1081  
2009/0307846 A1 \* 12/2009 Eura ..... A47G 9/10  
5/636  
2011/0225735 A1 \* 9/2011 Heroux ..... A47G 9/10  
5/640  
2013/0239333 A1 \* 9/2013 Connolly ..... A47G 9/1045  
5/636

\* cited by examiner

*Primary Examiner* — Jennifer L Rempfer

(74) *Attorney, Agent, or Firm* — Sanchelima &  
Associates, P.A.; Christian Sanchelima; Jesus Sanchelima

(57) **CLAIM**

The ornamental design for an pillow, as shown and described.

**DESCRIPTION**

FIG. 1 is an isometric view of an pillow showing my new design;

FIG. 2 is a front elevational view thereof;

FIG. 3 is a rear elevational view thereof;

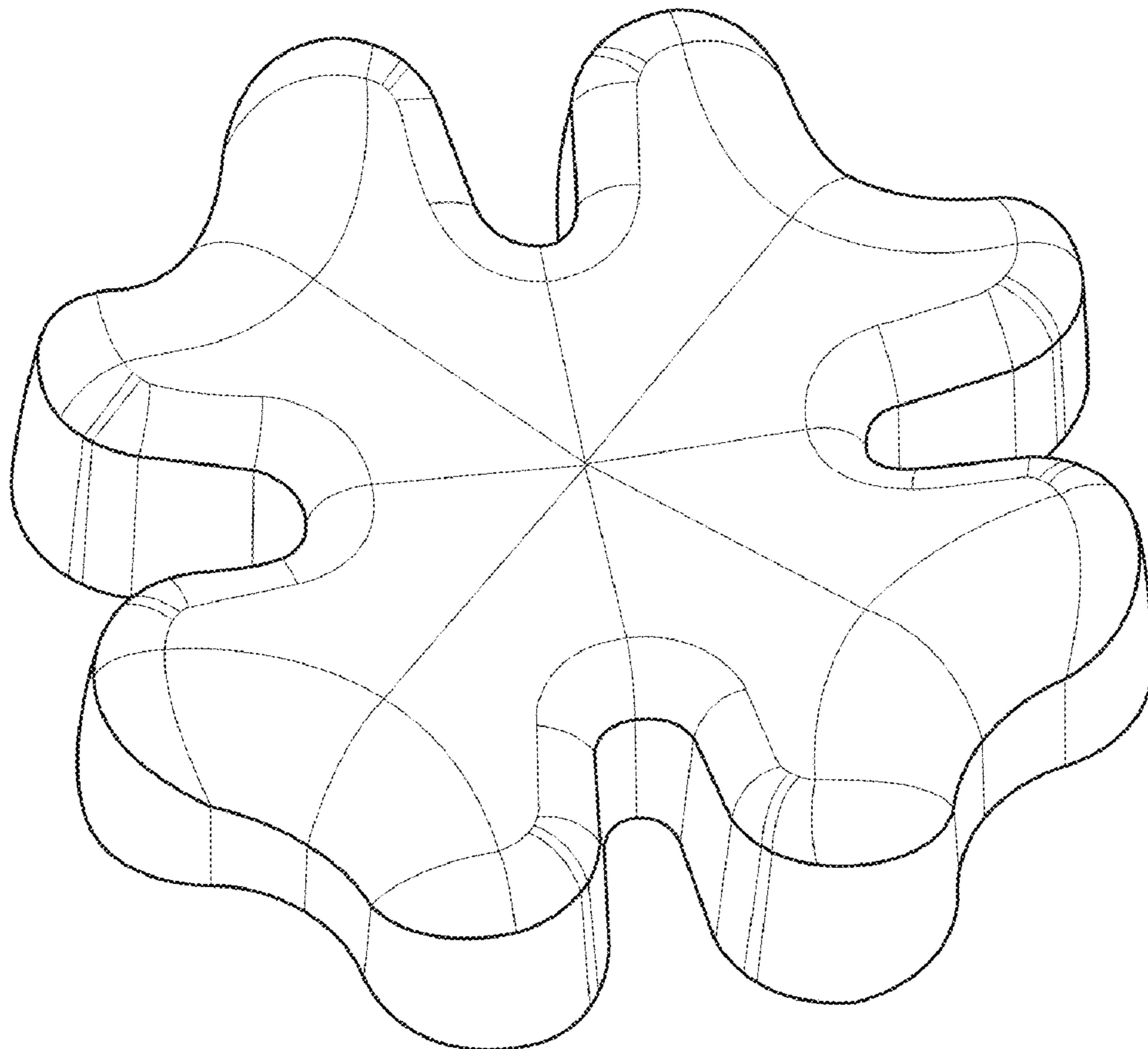
FIG. 4 is a left side elevational view thereof;

FIG. 5 is a right elevational view thereof;

FIG. 6 is a top plan view thereof; and,

FIG. 7 is a bottom plan view thereof showing my design.

**1 Claim, 5 Drawing Sheets**



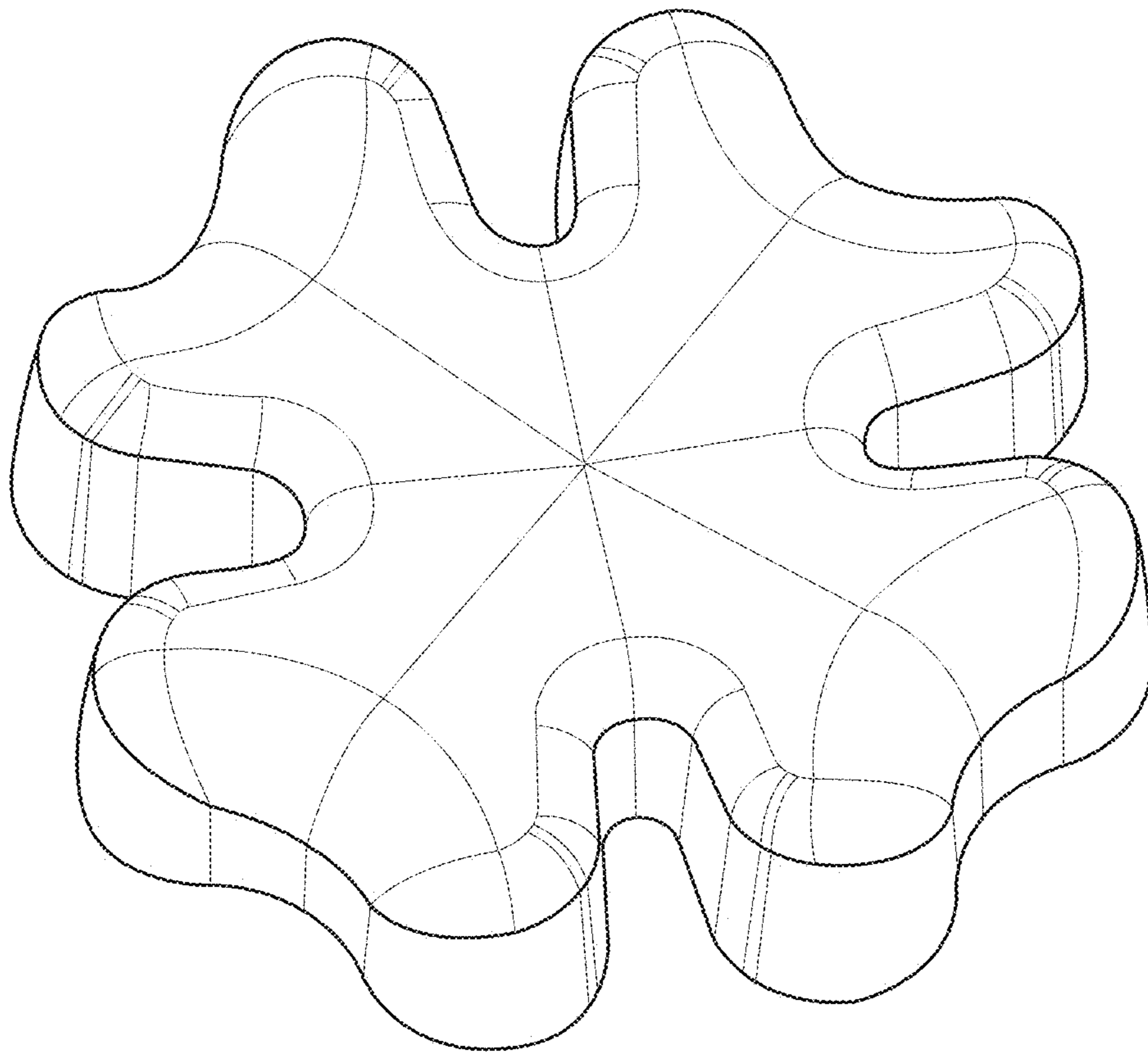


FIG. 1

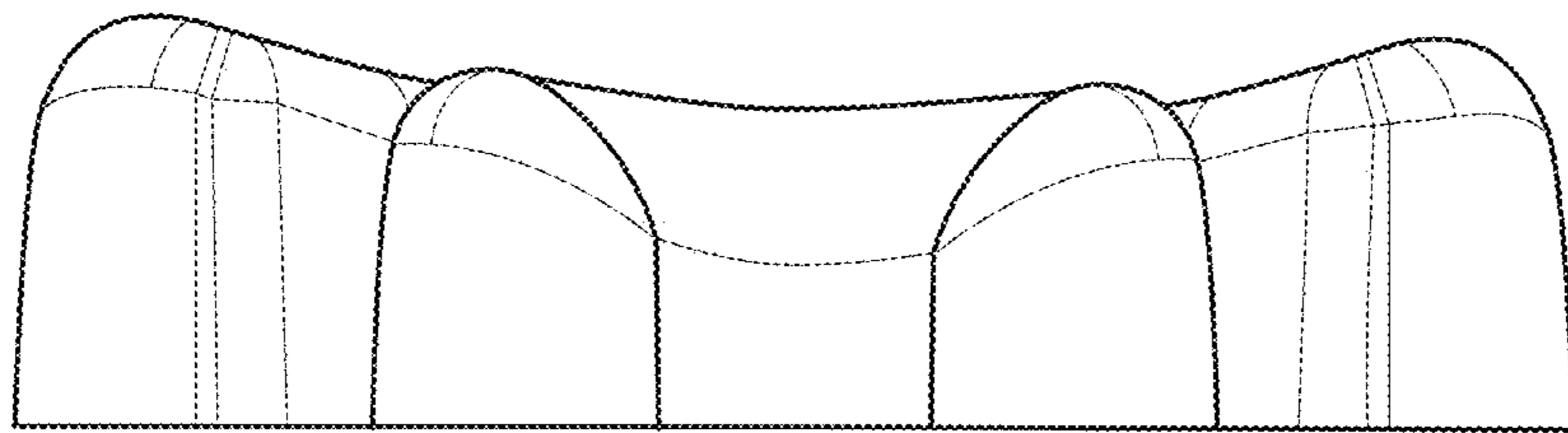


FIG. 2

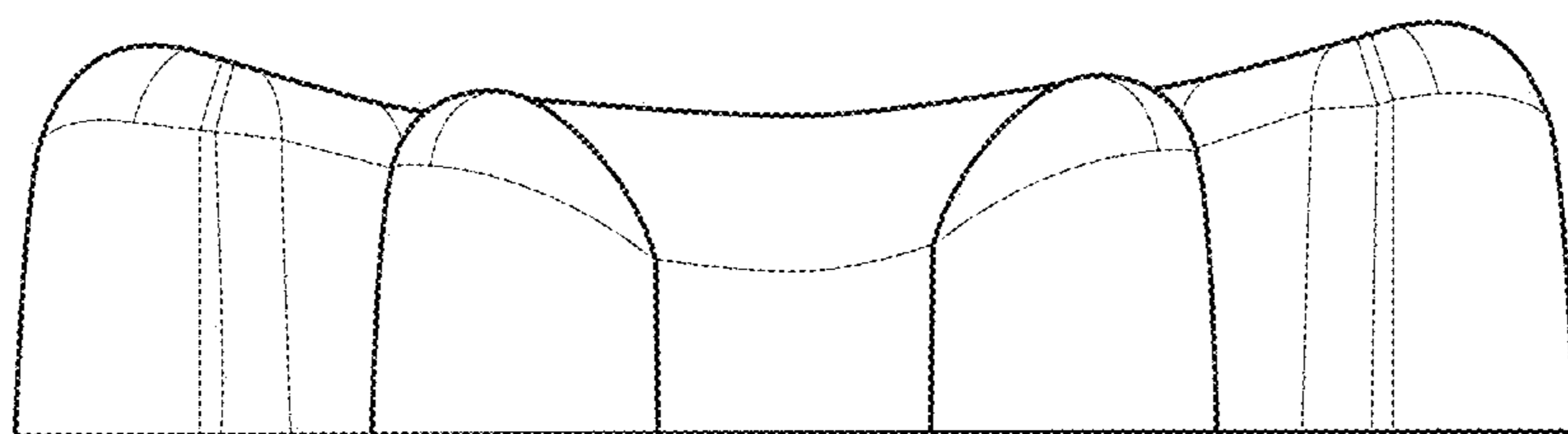


FIG. 3

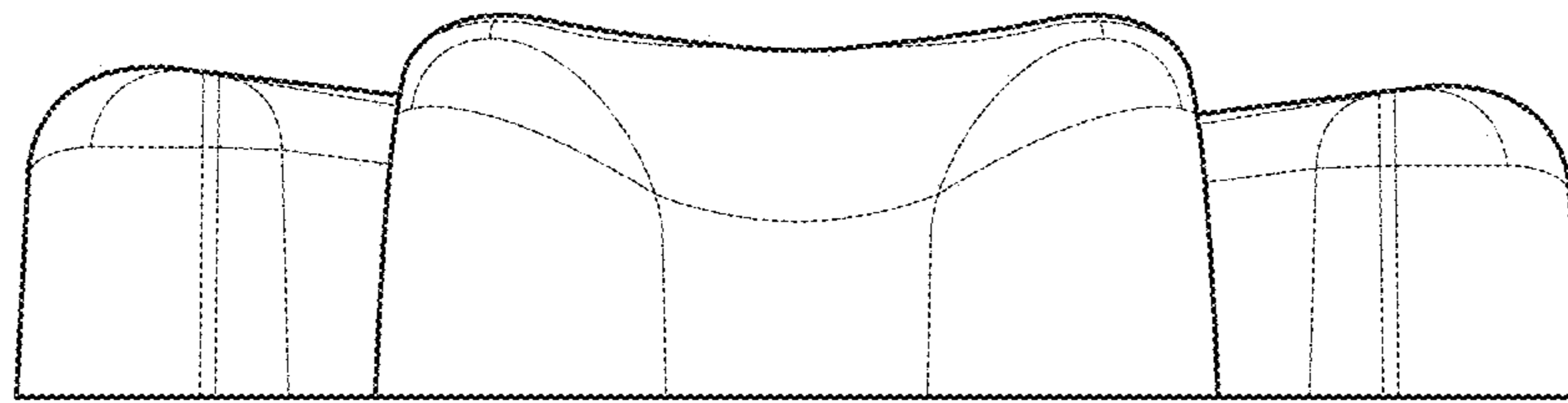


FIG. 4

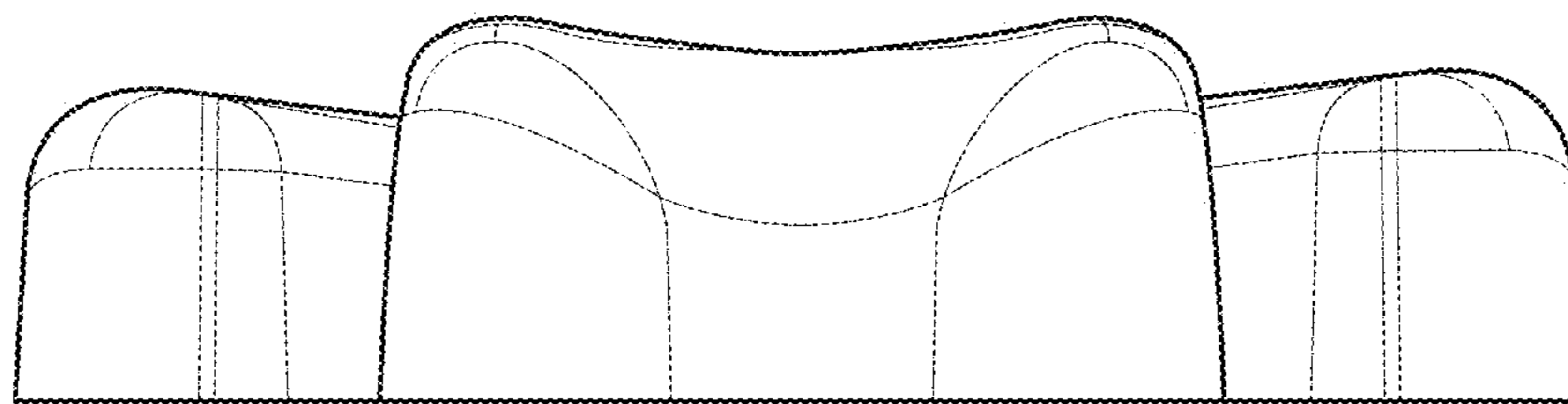


FIG. 5

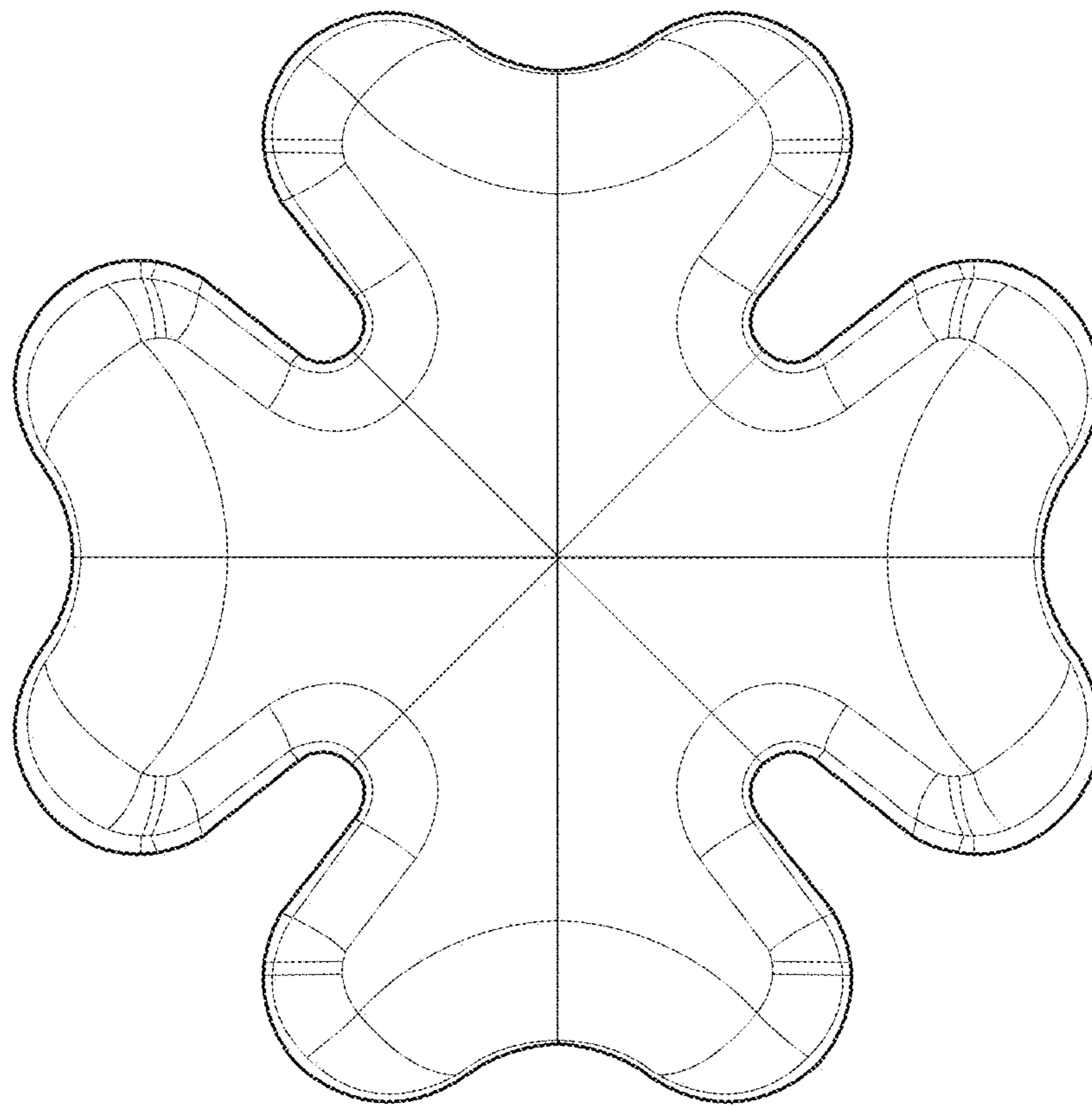


FIG. 6

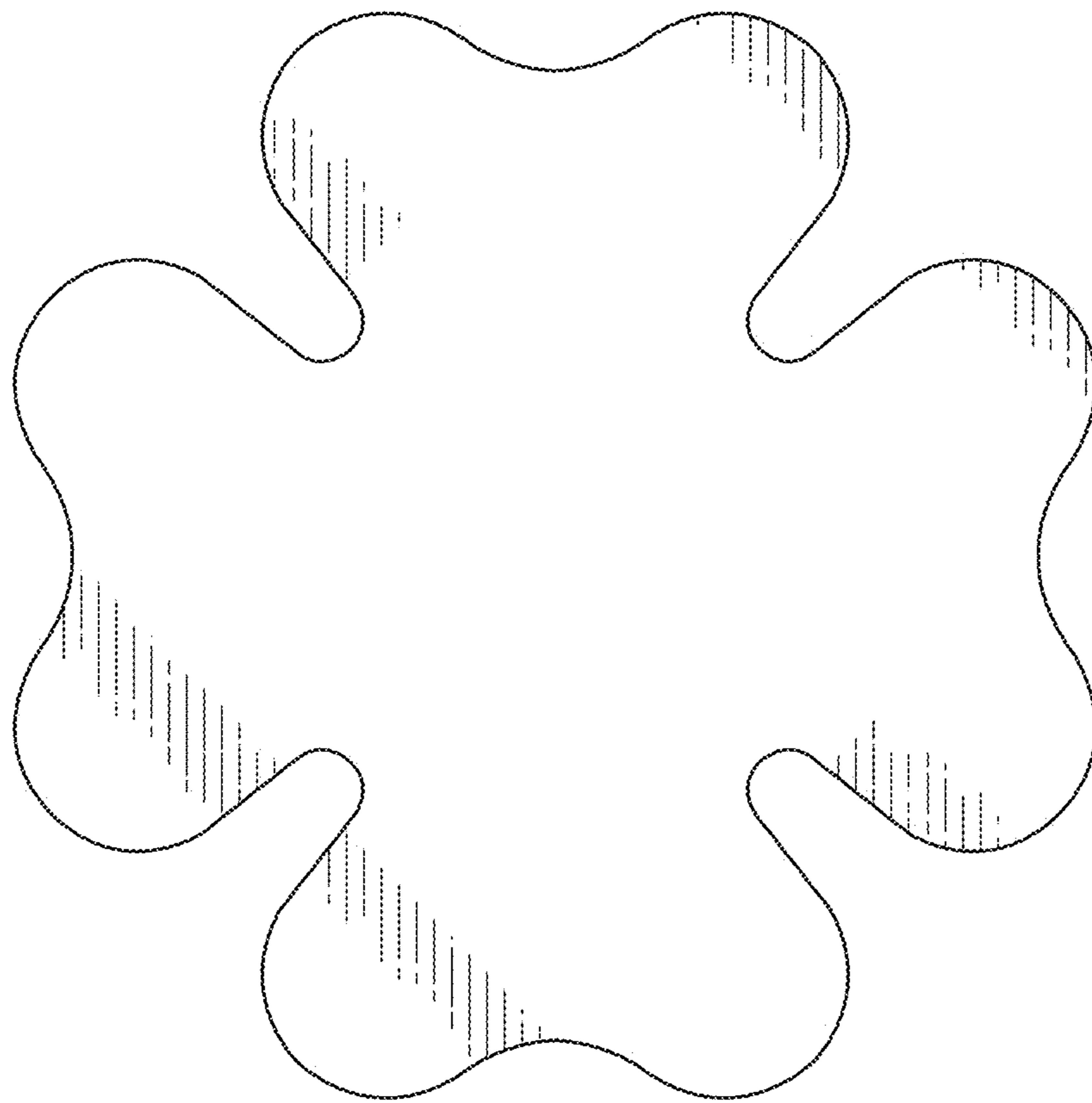


FIG. 7