



US00D918623S

(12) **United States Design Patent** (10) **Patent No.:** **US D918,623 S**
Sahoo et al. (45) **Date of Patent:** **** May 11, 2021**

(54) **EXTENDABLE TRAVEL PILLOW**
(71) Applicant: **Airbus SAS**, Blagnac (FR)
(72) Inventors: **Pradipta-Kishore Sahoo**, Blagnac (FR); **Soham Narayan Patel**, Blagnac (FR)
(73) Assignee: **AIRBUS (S.A.S.)**, Blagnac (FR)
(**) Term: **15 Years**
(21) Appl. No.: **29/711,422**
(22) Filed: **Oct. 31, 2019**
(51) **LOC (13) Cl.** **06-09**
(52) **U.S. Cl.**
USPC **D6/601**
(58) **Field of Classification Search**
USPC D6/582–583, 587–592, 595–609,
D6/617–622, 333; D21/803–809;
D24/183
CPC A47G 9/00; A47G 2009/001; A47G
2009/002; A47G 2009/003; A47G 9/10;
A47G 9/1009; A47G 2009/1018; A47G
9/1045; A47G 9/1081; A47G 9/109
See application file for complete search history.

(56) **References Cited**
U.S. PATENT DOCUMENTS
3,276,817 A * 10/1966 Marple A47C 1/146
297/377
3,763,509 A * 10/1973 Mittendorf A47G 9/10
5/640
5,074,574 A * 12/1991 Carwin A61G 5/1054
280/304.1
D343,080 S * 1/1994 Kentner D6/716.5
D383,431 S * 9/1997 Fennell D12/400
D398,793 S * 9/1998 Maree D6/716.5
7,010,821 B1 * 3/2006 Leach A47D 13/083
5/636

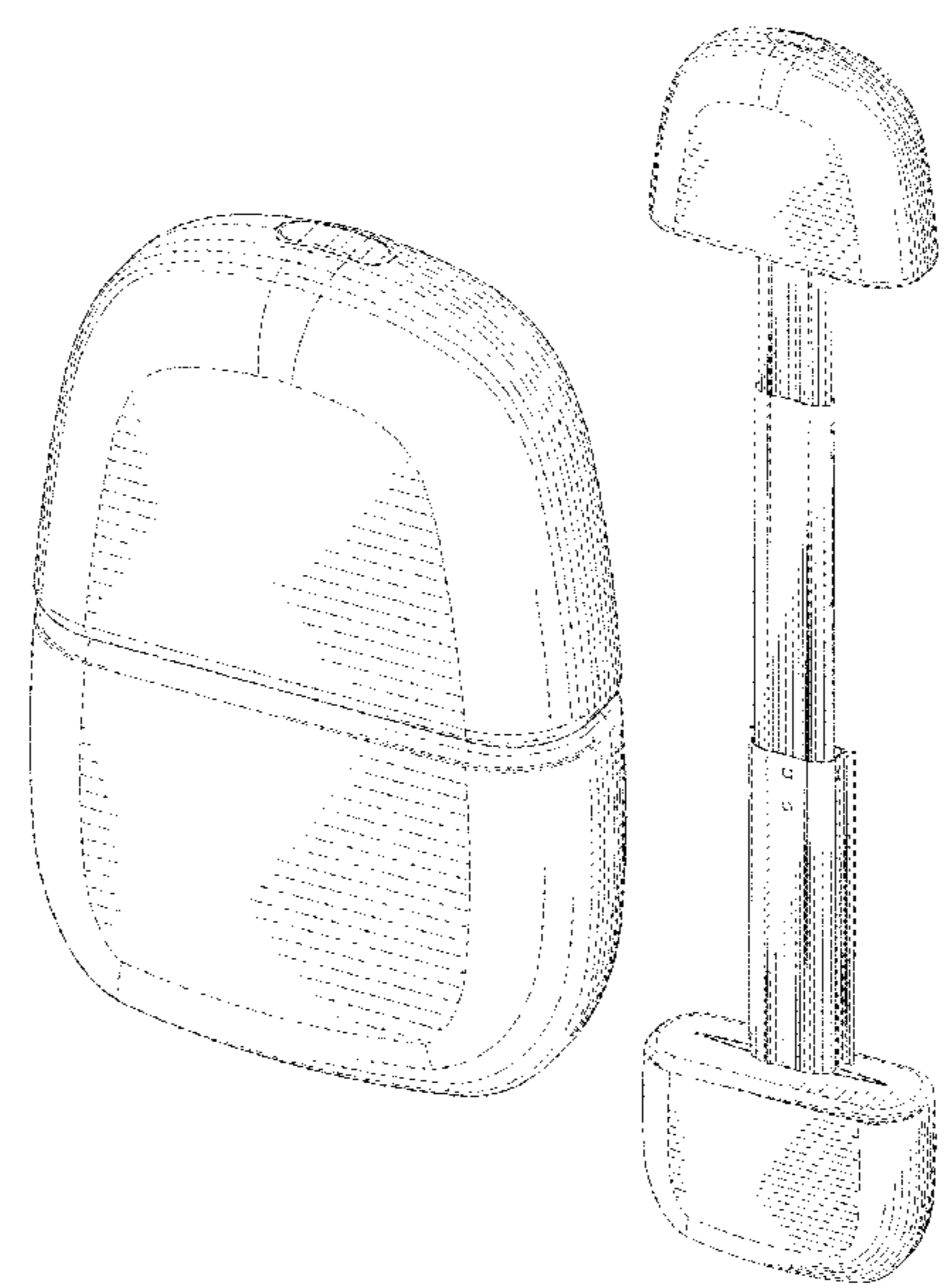
D705,431 S * 5/2014 Abramson D24/184
2012/0284924 A1 * 11/2012 Pratt A47G 9/0253
5/640
2013/0025057 A1 * 1/2013 Tseng A47G 9/1009
5/640
2013/0341367 A1 * 12/2013 Purpura B64D 11/06
224/156
2015/0084394 A1 * 3/2015 Hempstead A47C 7/506
297/423.39
2020/0367672 A1 * 11/2020 Ryan A47G 9/109

* cited by examiner
Primary Examiner — Jennifer L Rempfer
(74) *Attorney, Agent, or Firm* — Nixon & Vanderhye P.C.

(57) **CLAIM**
The ornamental design for an extendable travel pillow, as shown and described.

DESCRIPTION
FIG. 1 is a front perspective view of an extendable travel pillow, shown a fully closed configuration in accordance with our new design;
FIG. 2 is a top plan view thereof;
FIG. 3 is a bottom plan view thereof;
FIG. 4 is a right side view thereof;
FIG. 5 is a left side view thereof;
FIG. 6 is a front view thereof;
FIG. 7 is a rear view thereof;
FIG. 8 is a front perspective view of the extendable travel pillow shown in a fully open configuration;
FIG. 9 is a top plan view thereof;
FIG. 10 is a bottom plan view thereof;
FIG. 11 is a right side view thereof;
FIG. 12 is a left side view thereof;
FIG. 13 is a front view thereof; and,
FIG. 14 is a rear view thereof.

1 Claim, 10 Drawing Sheets



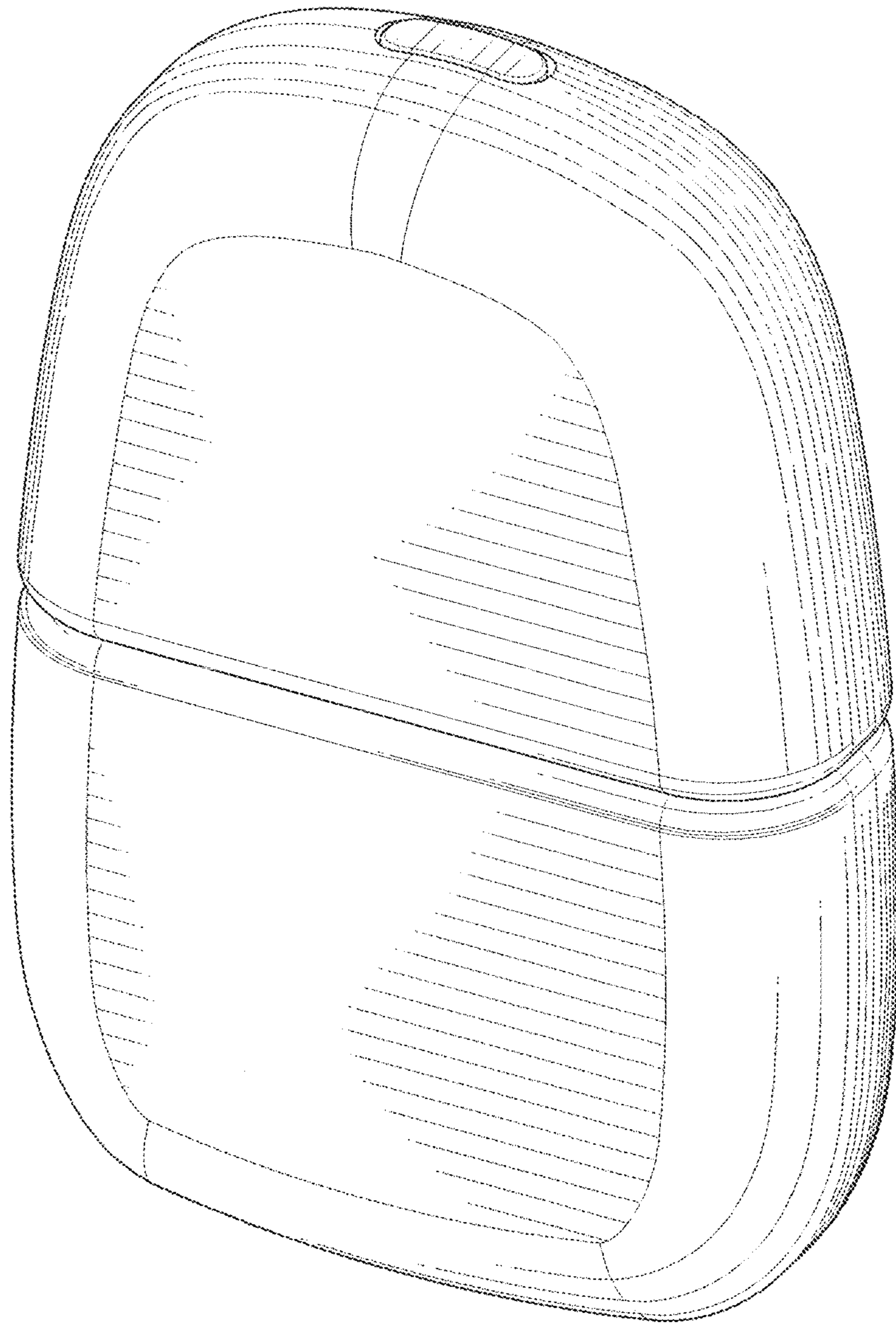


FIG . 1

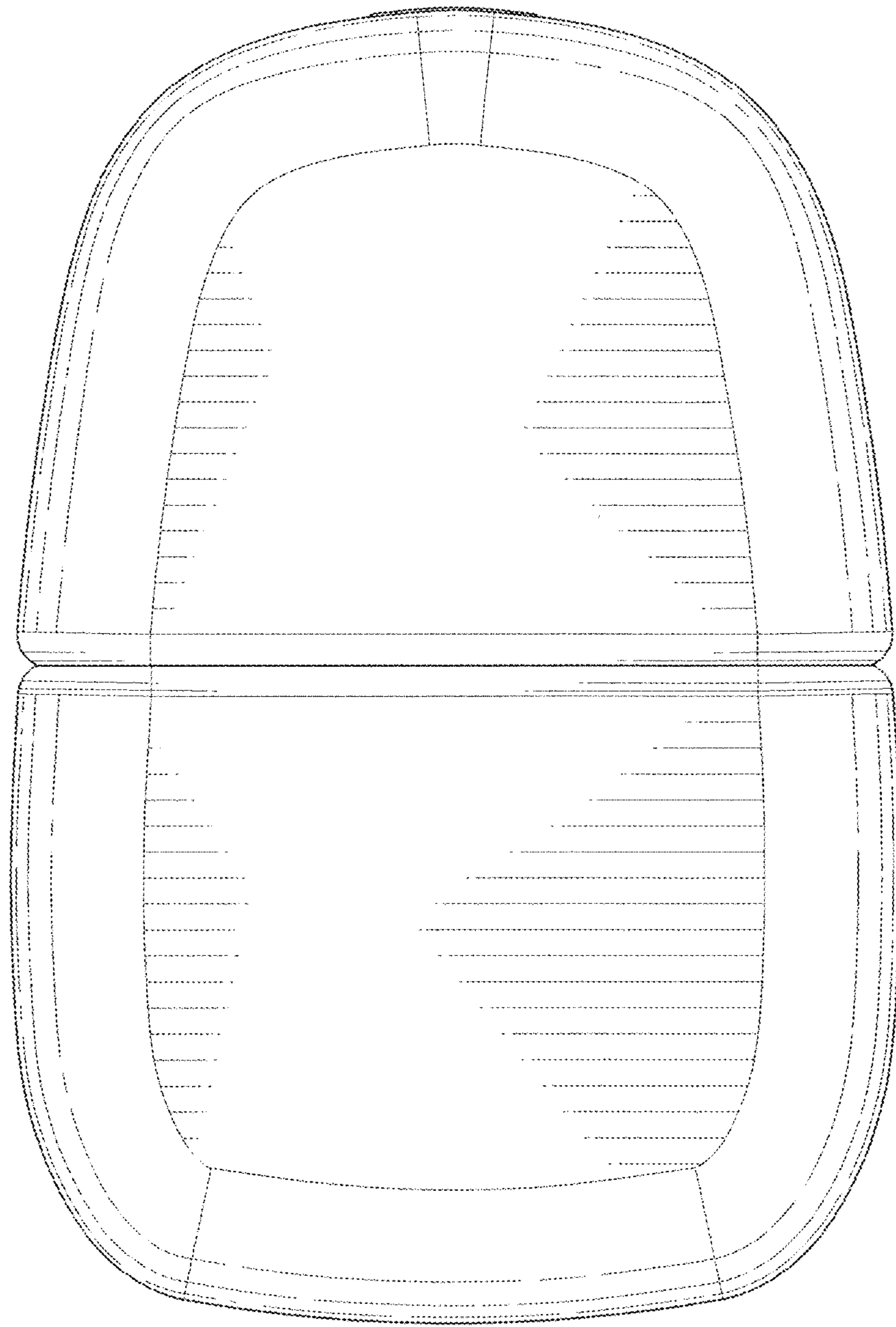


FIG . 2

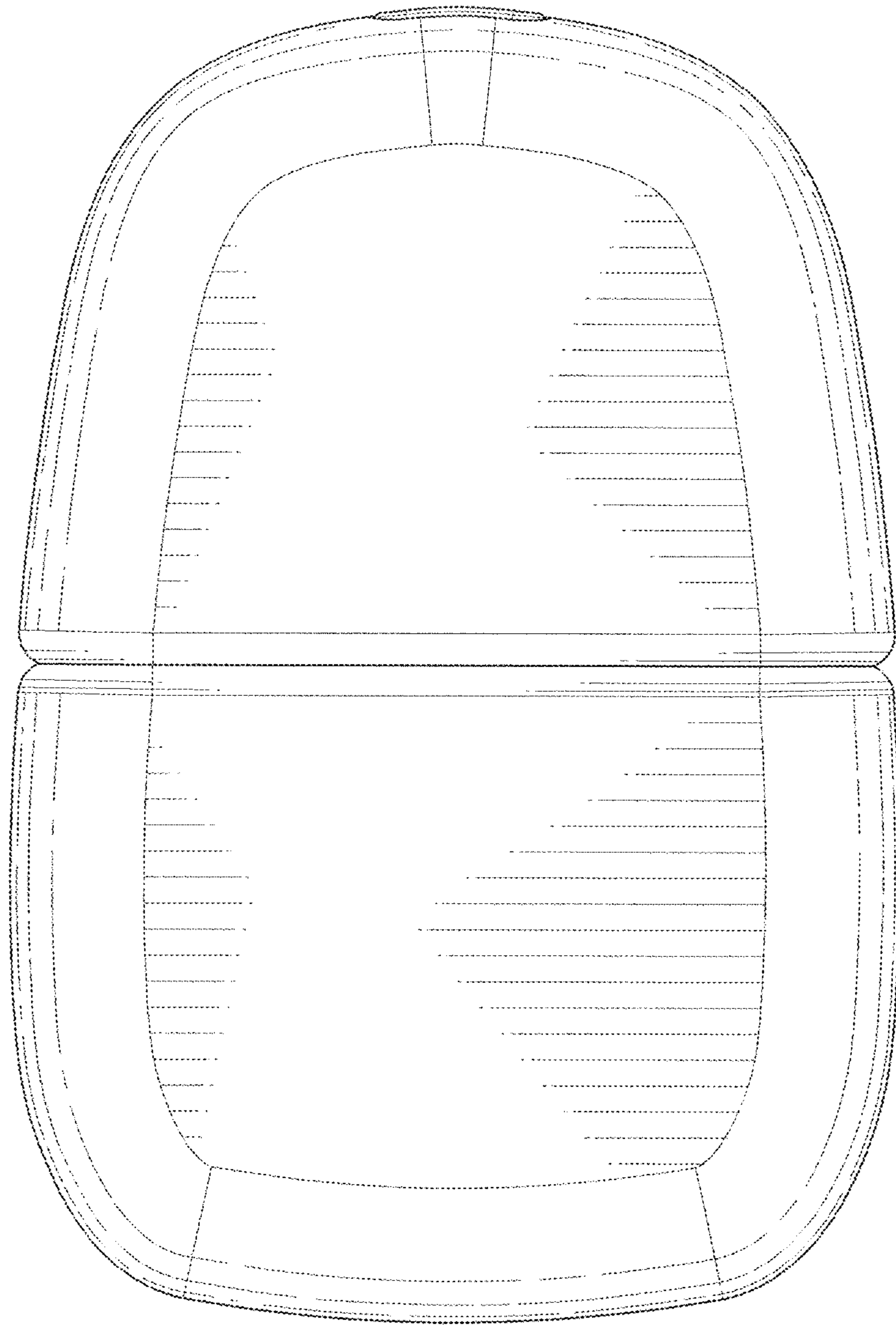


FIG . 3

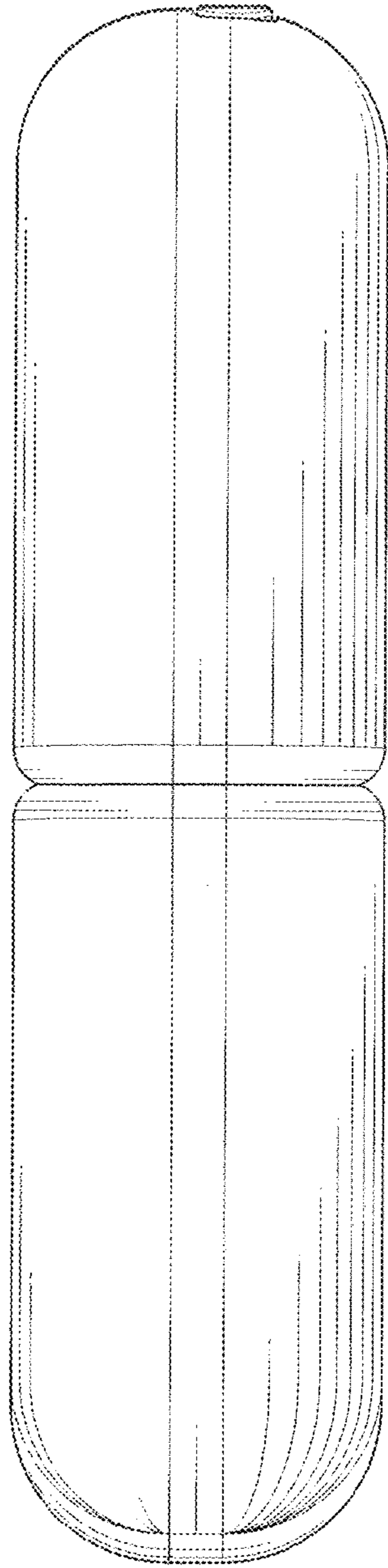


FIG . 4

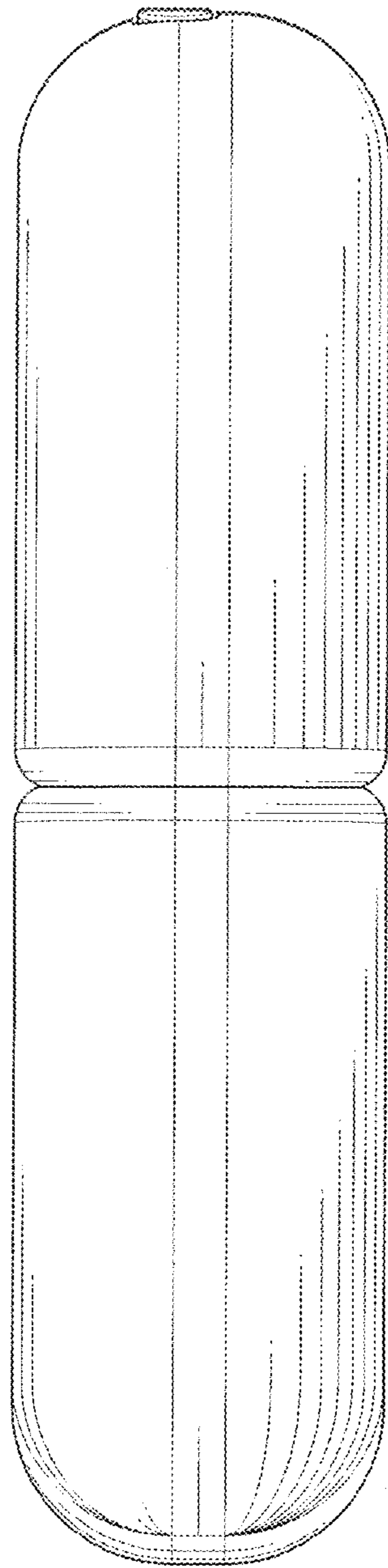


FIG . 5

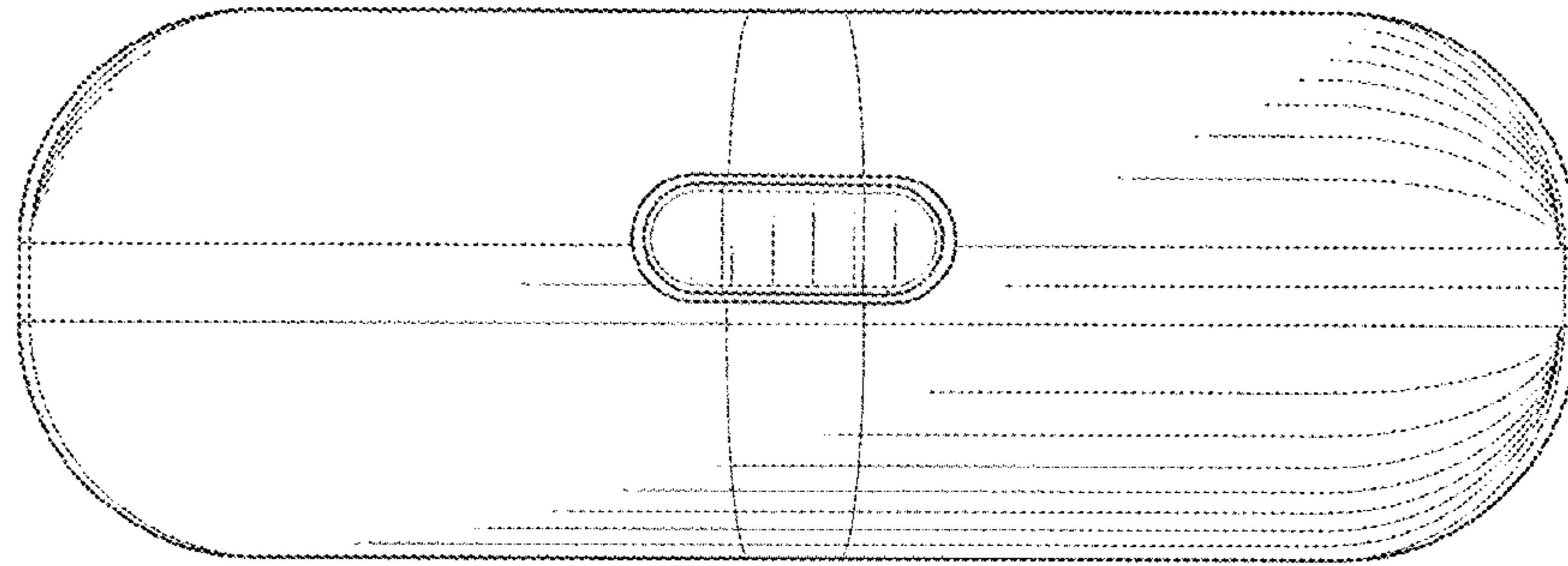


FIG . 6

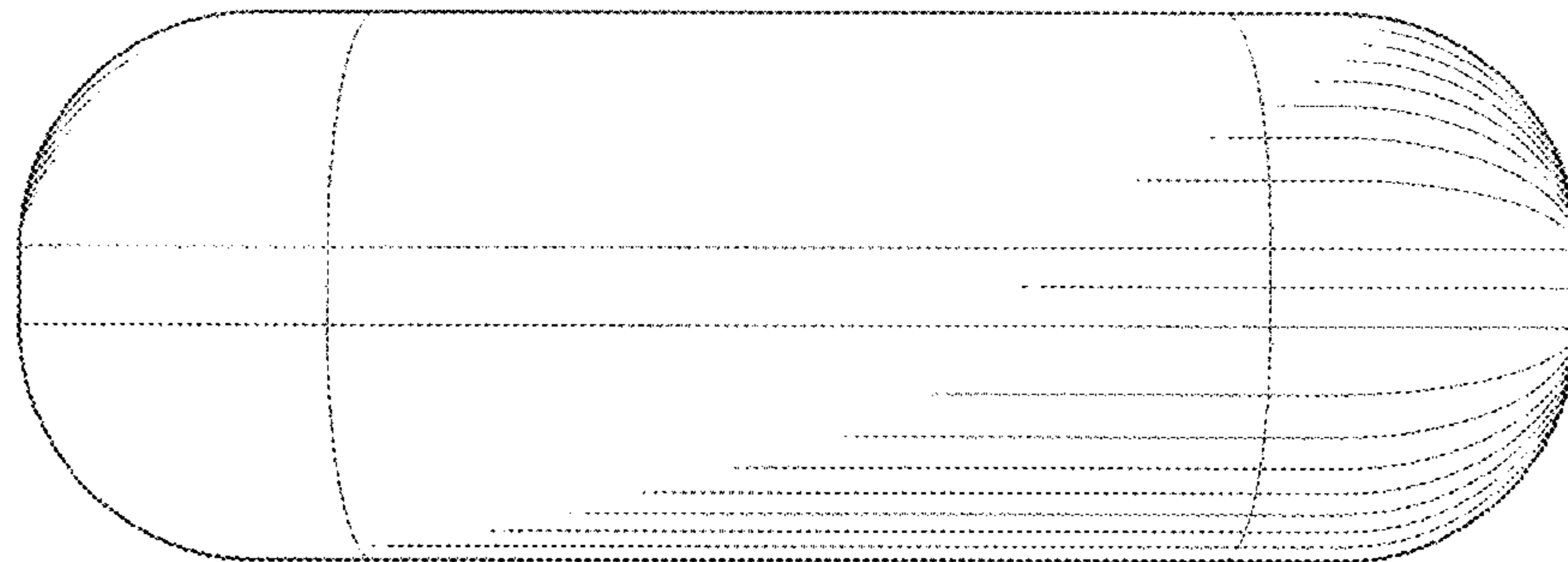


FIG . 7

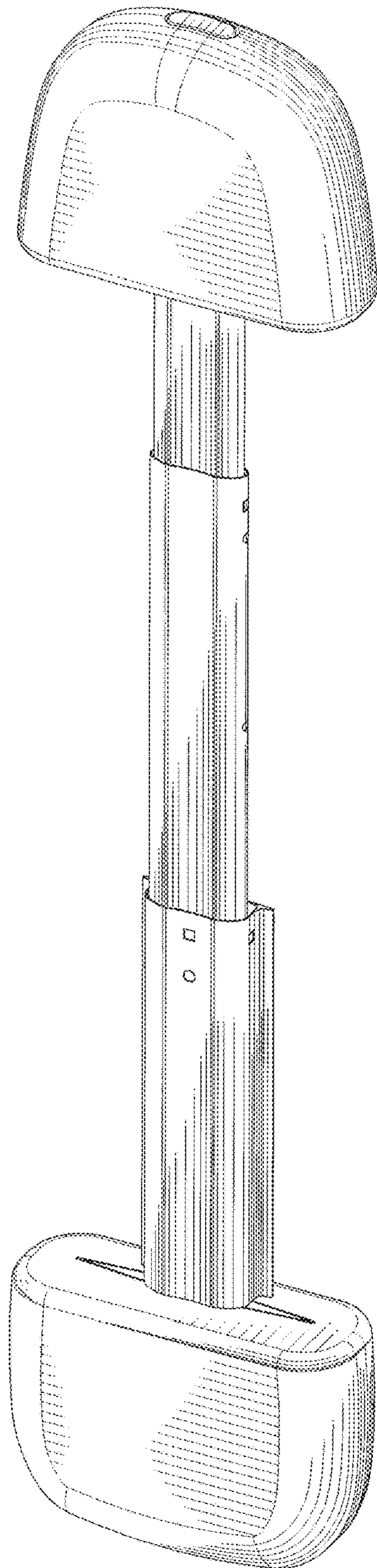


FIG . 8

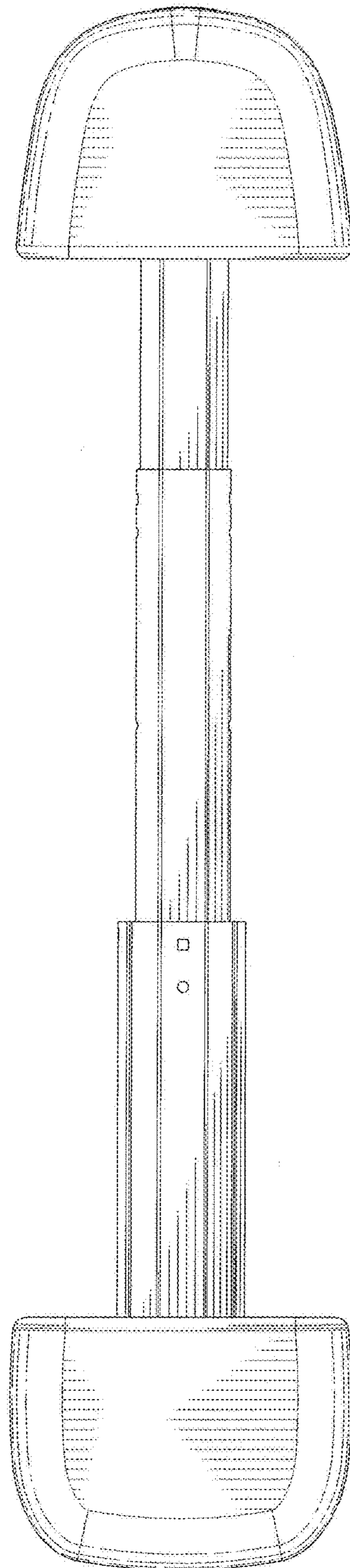


FIG. 9

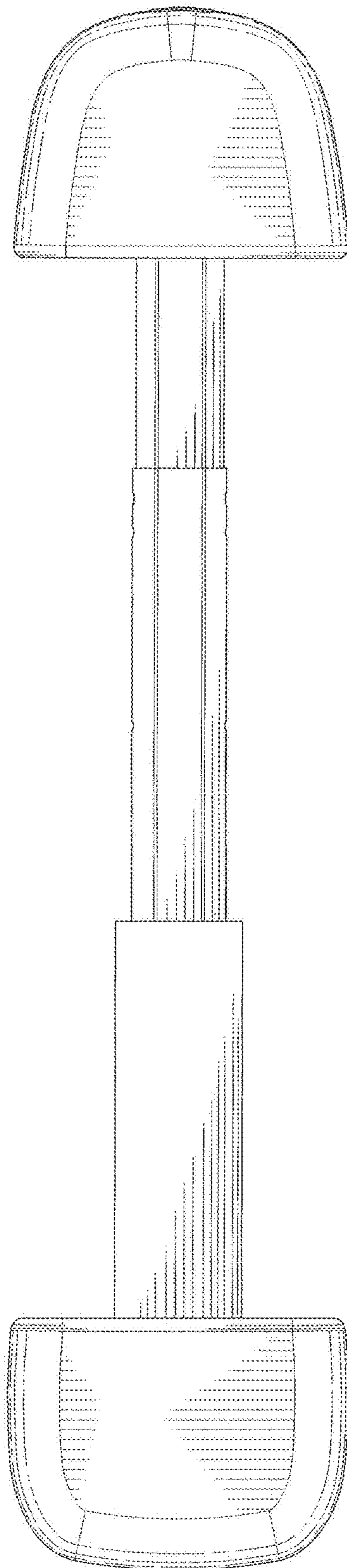


FIG. 10

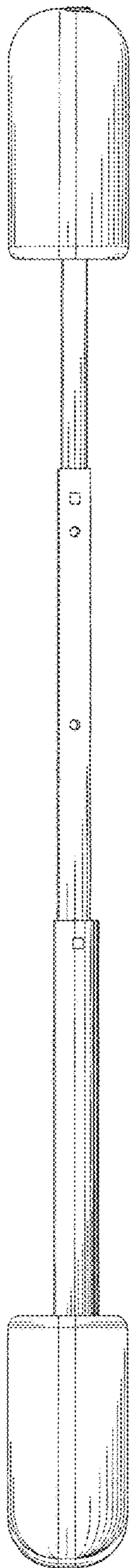


FIG. 11

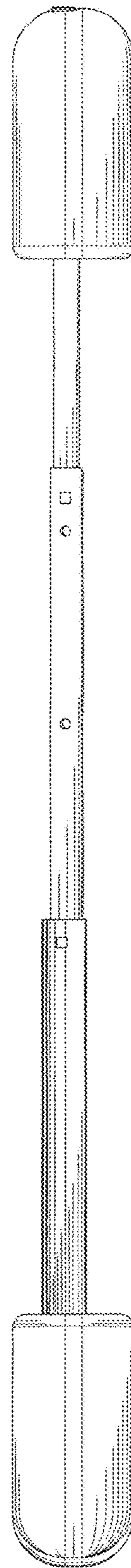


FIG. 12

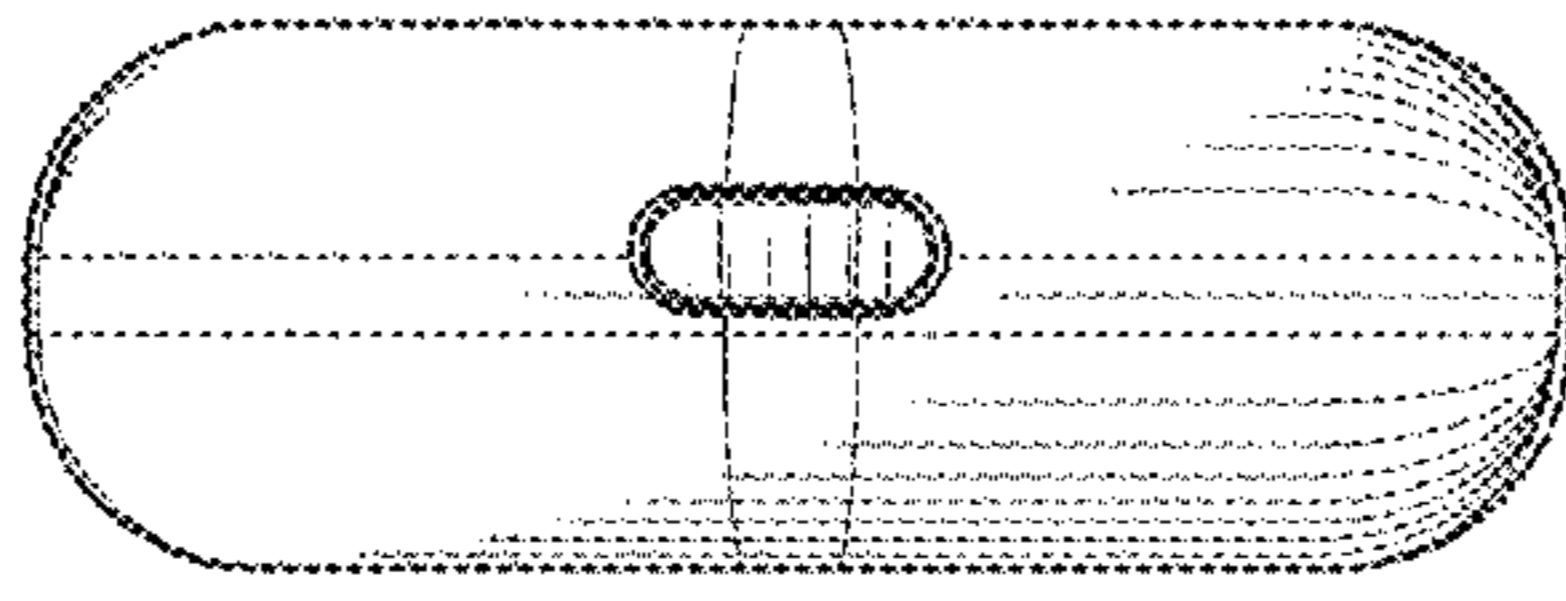


FIG . 13

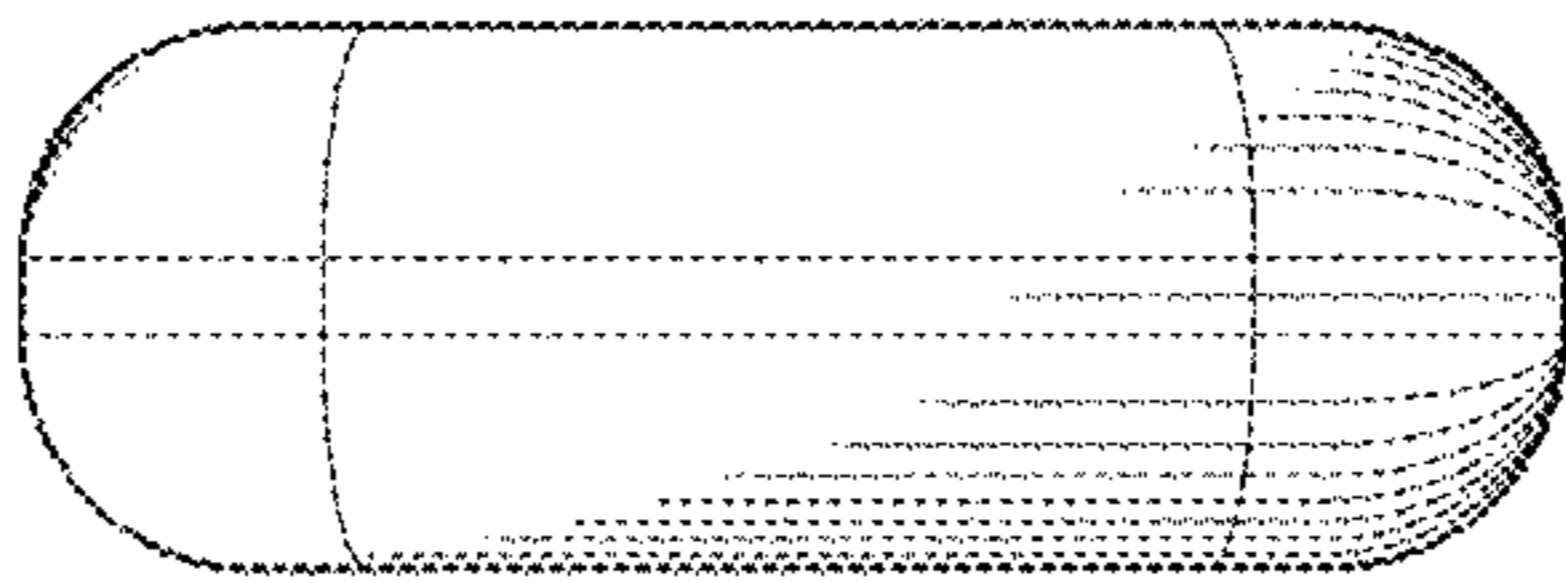


FIG . 14