



US00D918621S

(12) **United States Design Patent**  
**Li**

(10) **Patent No.:** **US D918,621 S**

(45) **Date of Patent:** **\*\* May 11, 2021**

(54) **BEACH BLANKET**

(71) Applicant: **Fahua Li**, Shenzhen (CN)

(72) Inventor: **Fahua Li**, Shenzhen (CN)

(\*\*) Term: **15 Years**

(21) Appl. No.: **29/692,564**

(22) Filed: **May 27, 2019**

(51) **LOC (13) Cl.** ..... **06-13**

(52) **U.S. Cl.**  
USPC ..... **D6/598**

(58) **Field of Classification Search**

USPC ..... D6/582-583, 587-592, 595-609,  
D6/617-622; D21/803-809, 599;  
D24/178, 180, 181, 183, 189; D2/719,  
D2/725, 734, 741  
CPC ..... A47G 9/00; A47G 2009/001; A47G  
2009/002; A47G 2009/003; A47G  
2009/005; A47G 2009/006; A47G 9/02;  
A47G 9/0207; A47G 9/0215; A47G  
9/0223; A47G 9/023; A47G 9/0238;  
A47G 9/0246; A47G 9/0253; A47G  
9/0261; A47G 9/06; A47G 9/062; A47G  
9/066; A47G 9/068; A47G 9/08; A47G  
2009/0276; A47G 9/0284; A47G 9/0292;  
A47G 9/04; A47G 9/10

See application file for complete search history.

(56) **References Cited**

**U.S. PATENT DOCUMENTS**

4,860,777 A \* 8/1989 Orlando ..... E04H 15/003  
135/87  
D311,473 S \* 10/1990 Vrabel ..... 5/417

D312,371 S \* 11/1990 Lawson ..... D6/595  
5,758,373 A \* 6/1998 Bloetjes ..... A47G 9/062  
2/252  
6,502,257 B1 \* 1/2003 Glenn ..... A47G 9/062  
135/16  
7,607,182 B1 \* 10/2009 Weiner ..... A47G 9/062  
5/110  
D653,490 S \* 2/2012 Steinmann ..... D6/603  
D683,566 S \* 6/2013 Schwartz ..... D6/603  
2005/0005355 A1 \* 1/2005 Marks ..... A47G 9/062  
5/417

\* cited by examiner

*Primary Examiner* — Jennifer L Rempfer

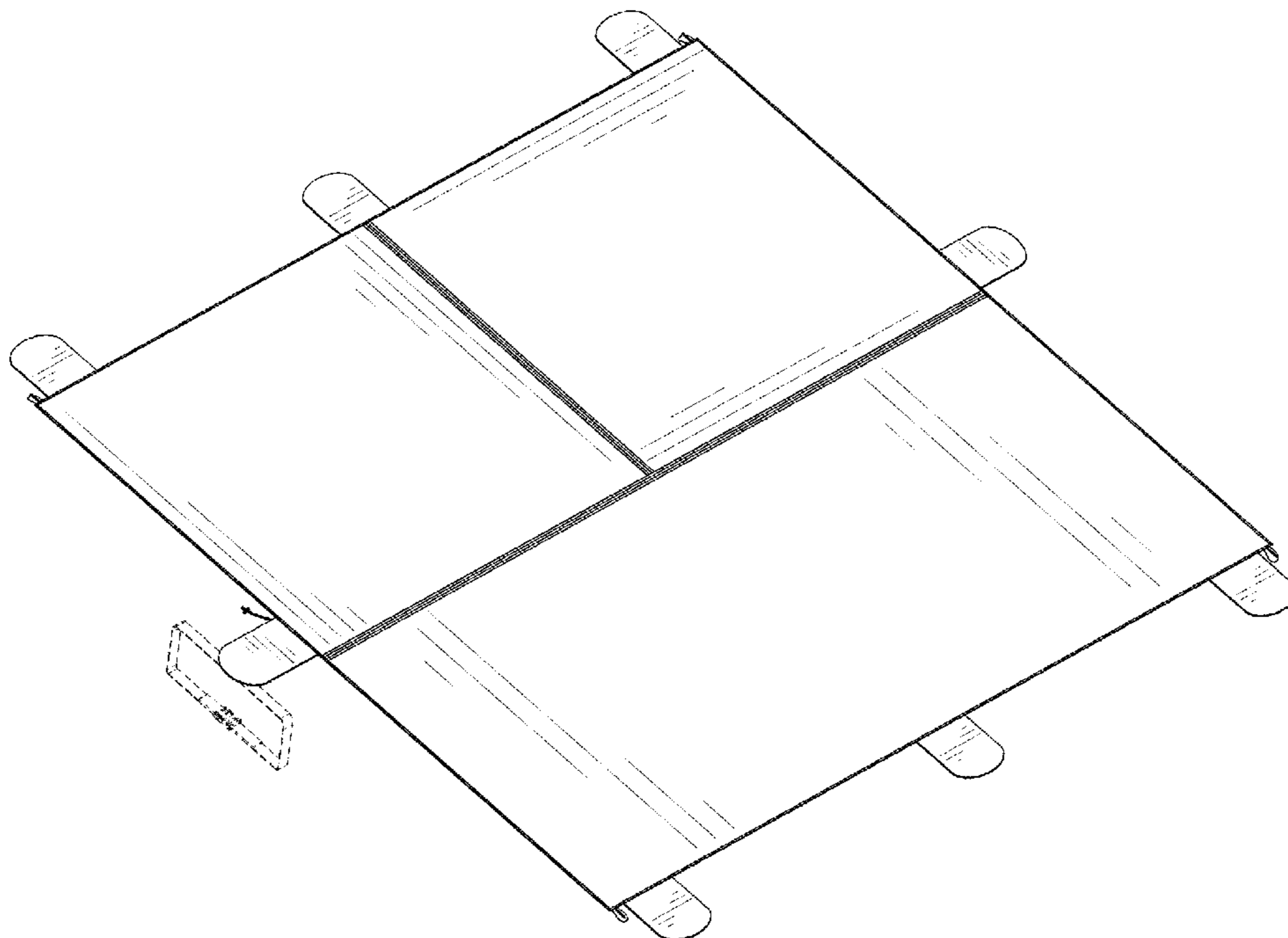
(57) **CLAIM**

The ornamental design for a beach blanket, as shown and described.

**DESCRIPTION**

FIG. 1 is a perspective view of the beach blanket showing my new design;  
FIG. 2 is another perspective view thereof;  
FIG. 3 is a front elevational view thereof;  
FIG. 4 is a rear elevational plan view thereof;  
FIG. 5 is an enlarged view of portion 5 of FIG. 1;  
FIG. 6 is an enlarged view of portion 6 of FIG. 1; and,  
FIG. 7 is an enlarged view of portion 7 of FIG. 3.  
The broken lines are for the purpose of illustrating portions of the beach blanket and form no part of the claimed design.

**1 Claim, 7 Drawing Sheets**



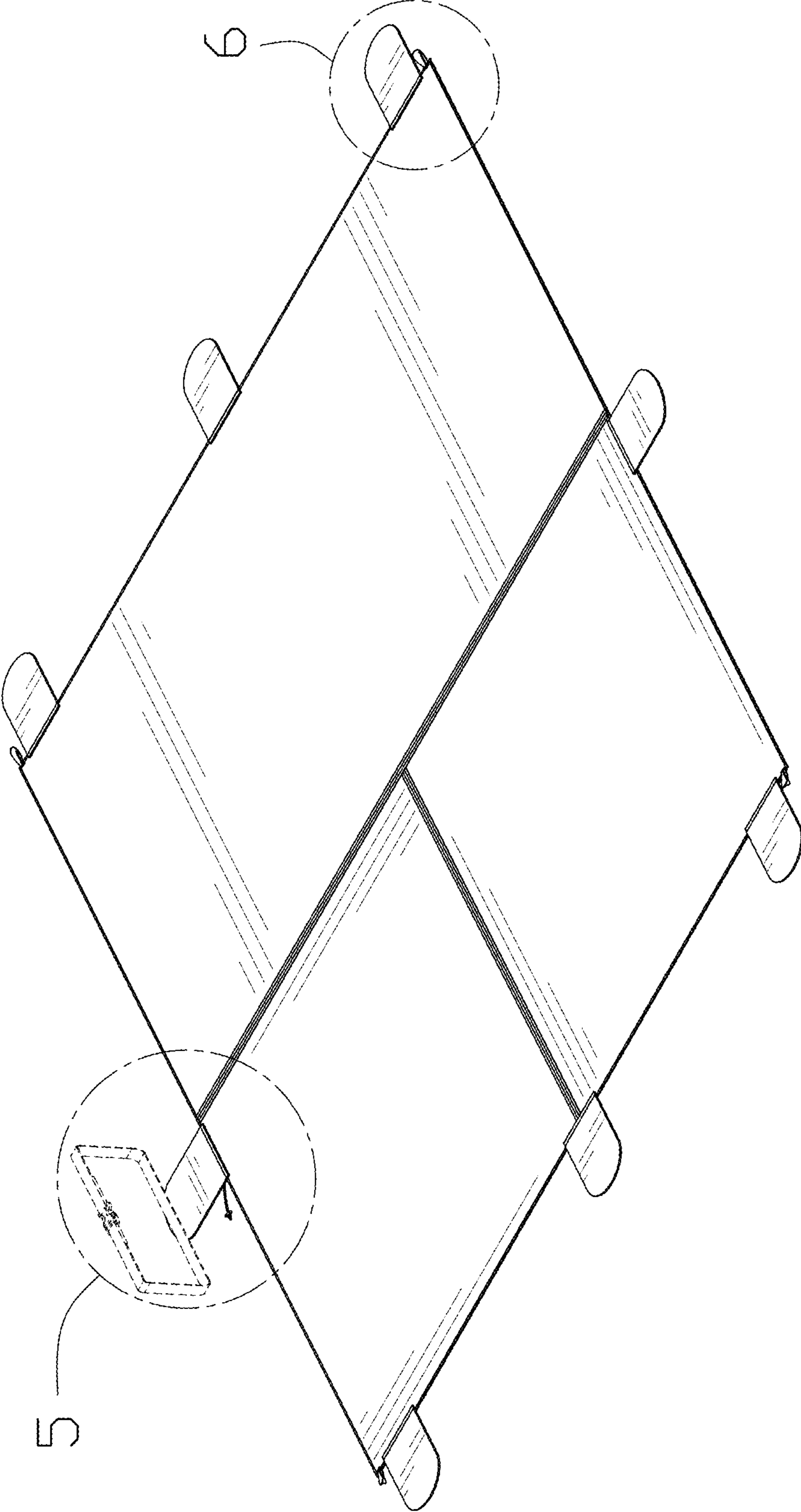


FIG. 1

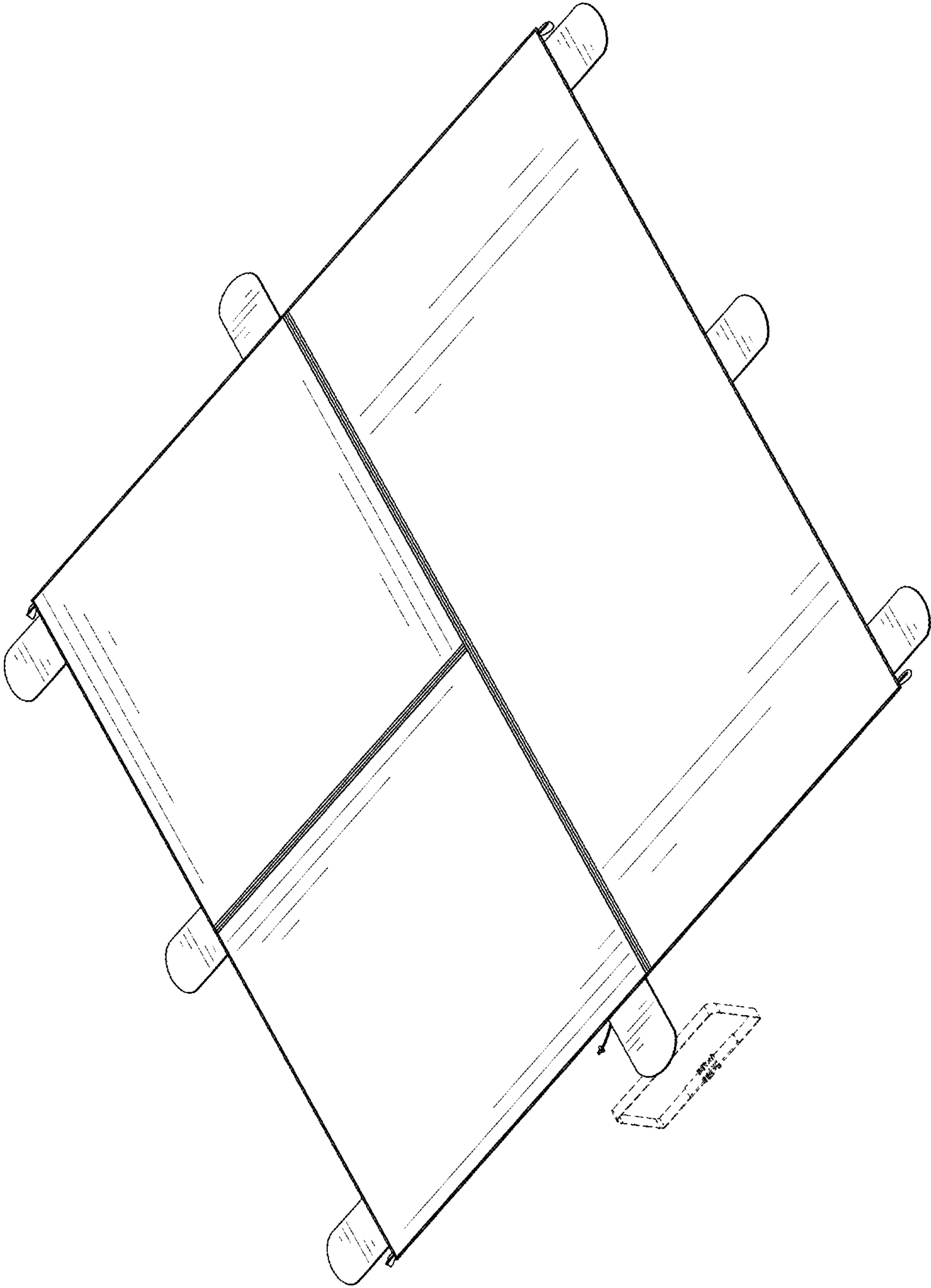


FIG. 2

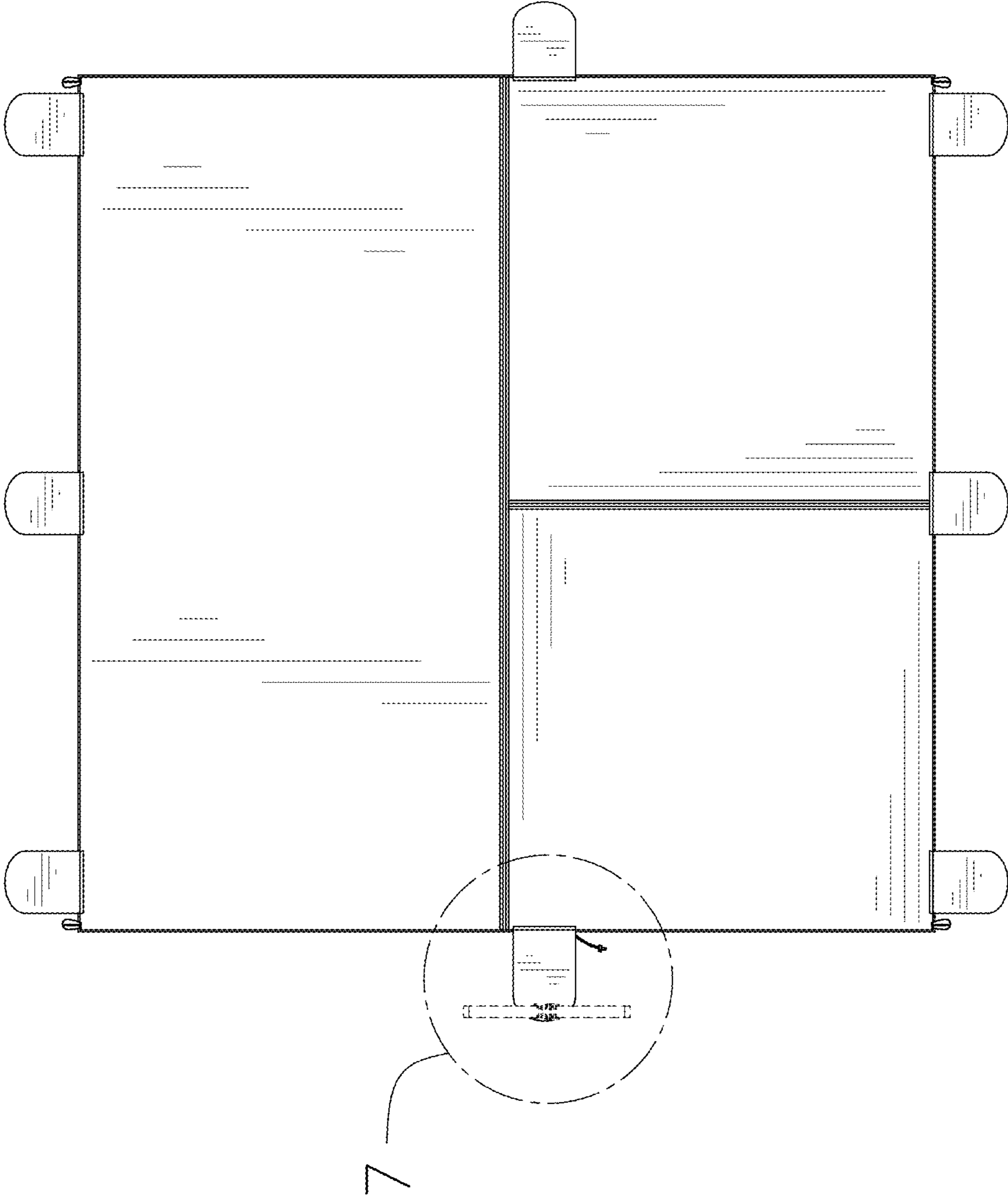


FIG. 3

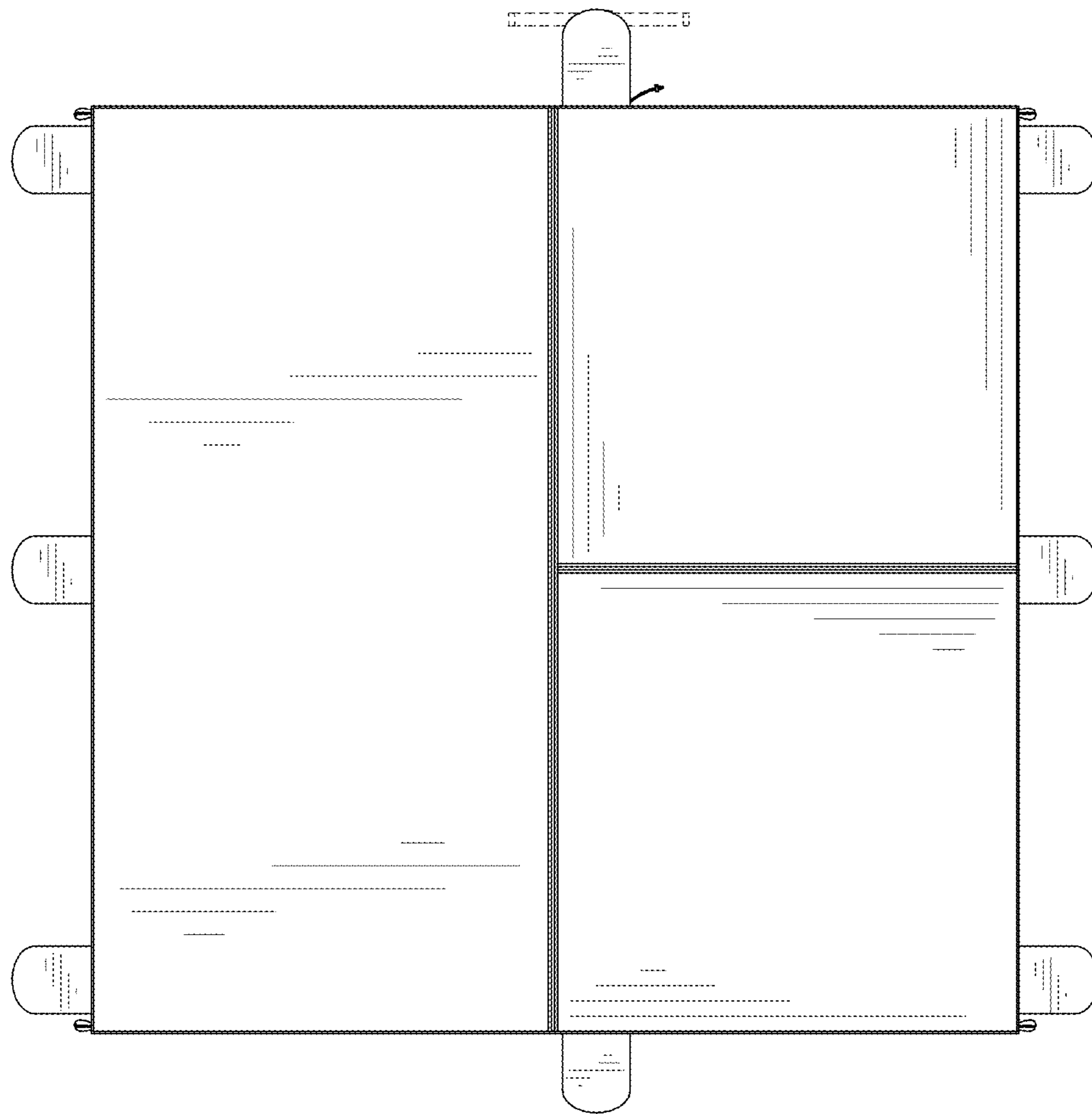


FIG. 4

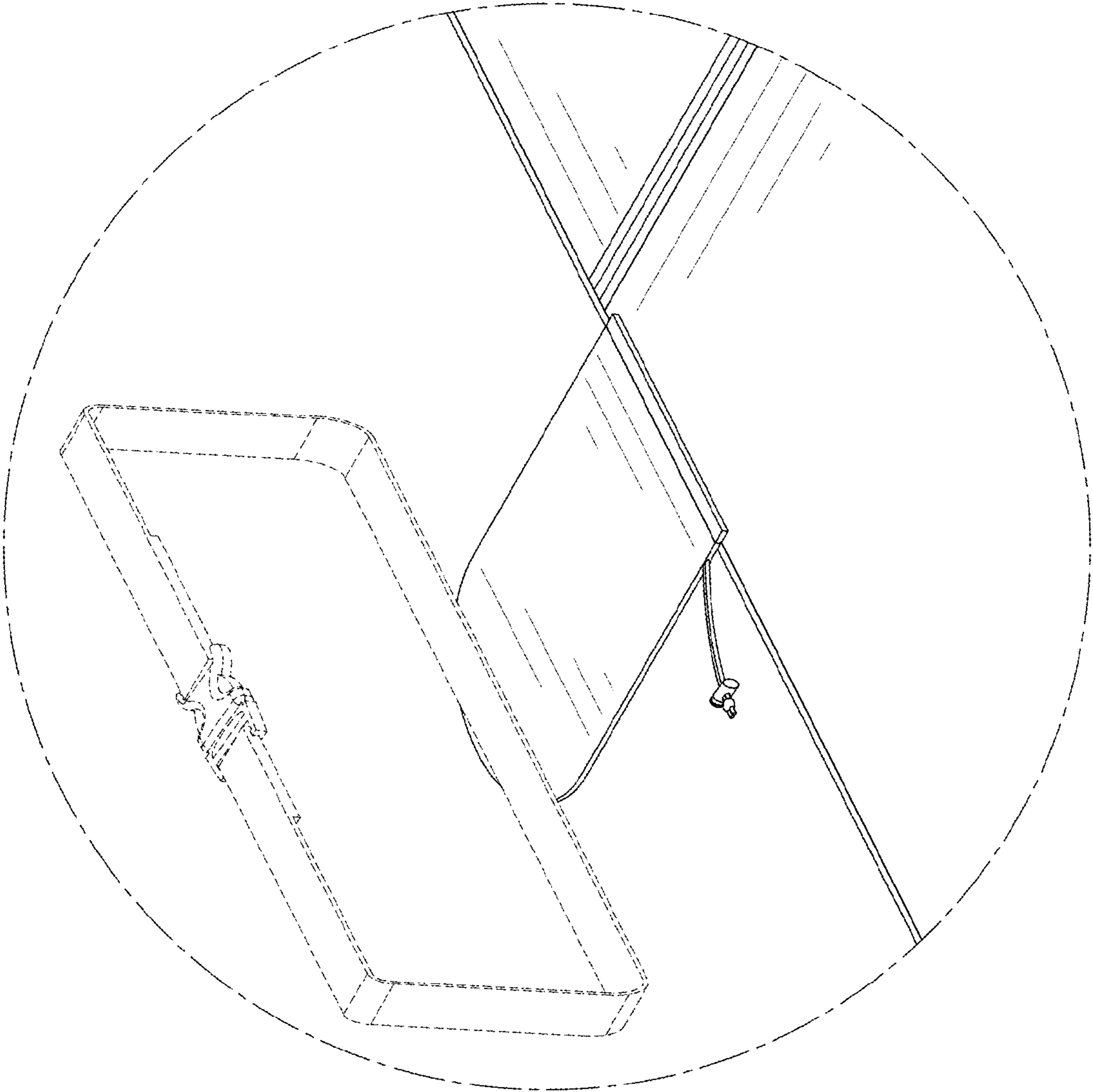


FIG. 5

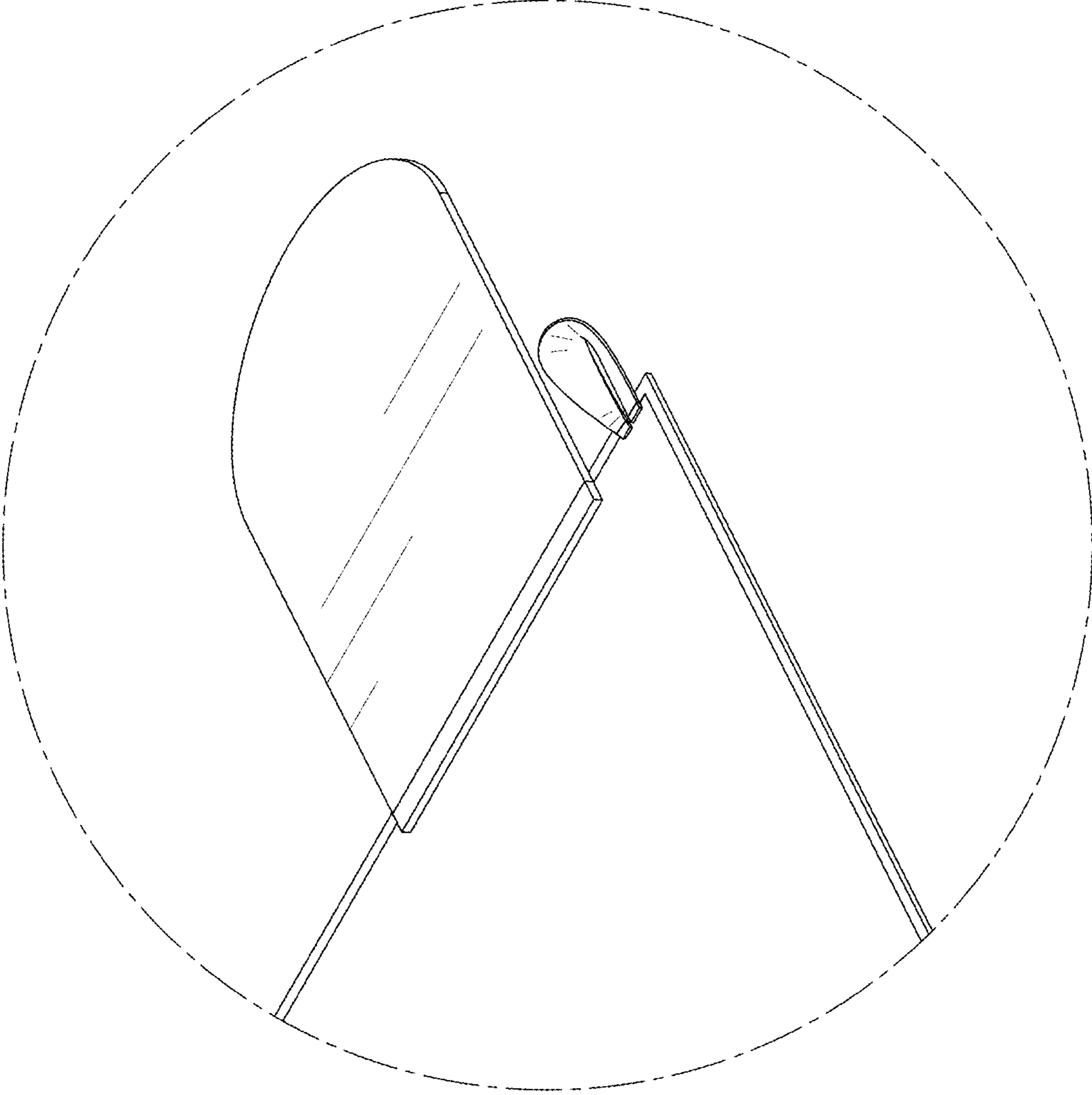


FIG. 6

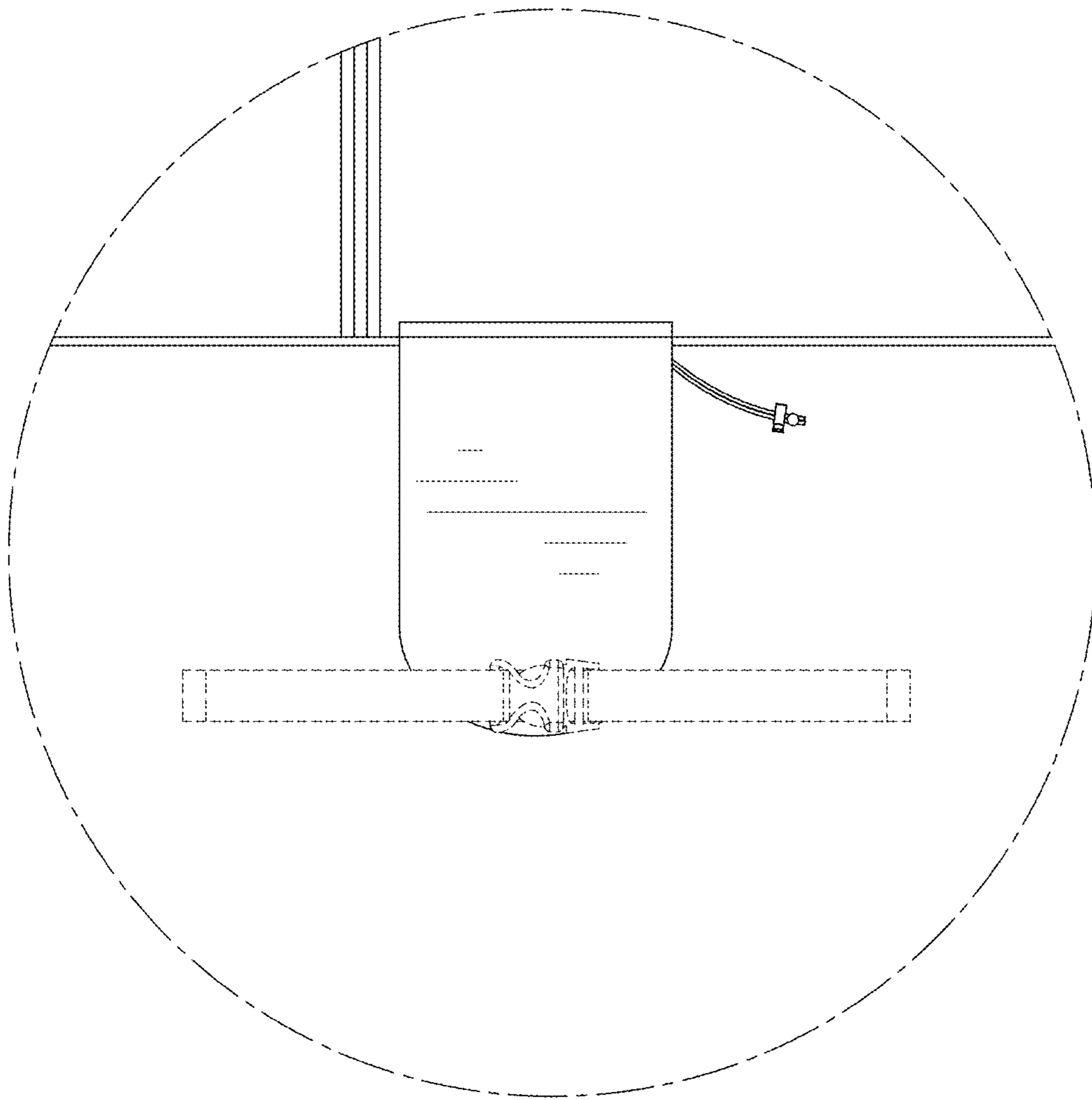


FIG. 7