



US00D918619S

(12) **United States Design Patent** (10) **Patent No.:** **US D918,619 S**
Xia (45) **Date of Patent:** **** May 11, 2021**

(54) **ROLLER SHADE**
(71) Applicant: **Foshan Bestwyll Auto Accessories Co., Ltd**, Foshan (CN)
(72) Inventor: **Yong Xia**, Foshan (CN)
(**) Term: **15 Years**
(21) Appl. No.: **29/735,124**

D886,013 S * 6/2020 Ma E06B 9/86
D12/183
10,730,367 B2 * 8/2020 Bacon B60J 7/1642
2008/0148638 A1 * 6/2008 Knowles B60J 1/2091
49/70
2009/0205787 A1 * 8/2009 Allsopp E06B 9/266
160/84.01
2009/0229767 A1 * 9/2009 Mullet E06B 9/581
160/26
2009/0277592 A1 * 11/2009 Okachi E06B 9/52
160/84.06

(22) Filed: **May 19, 2020**
(30) **Foreign Application Priority Data**

(Continued)
Primary Examiner — Kevin K Rudzinski
Assistant Examiner — Clare Ann Gannon

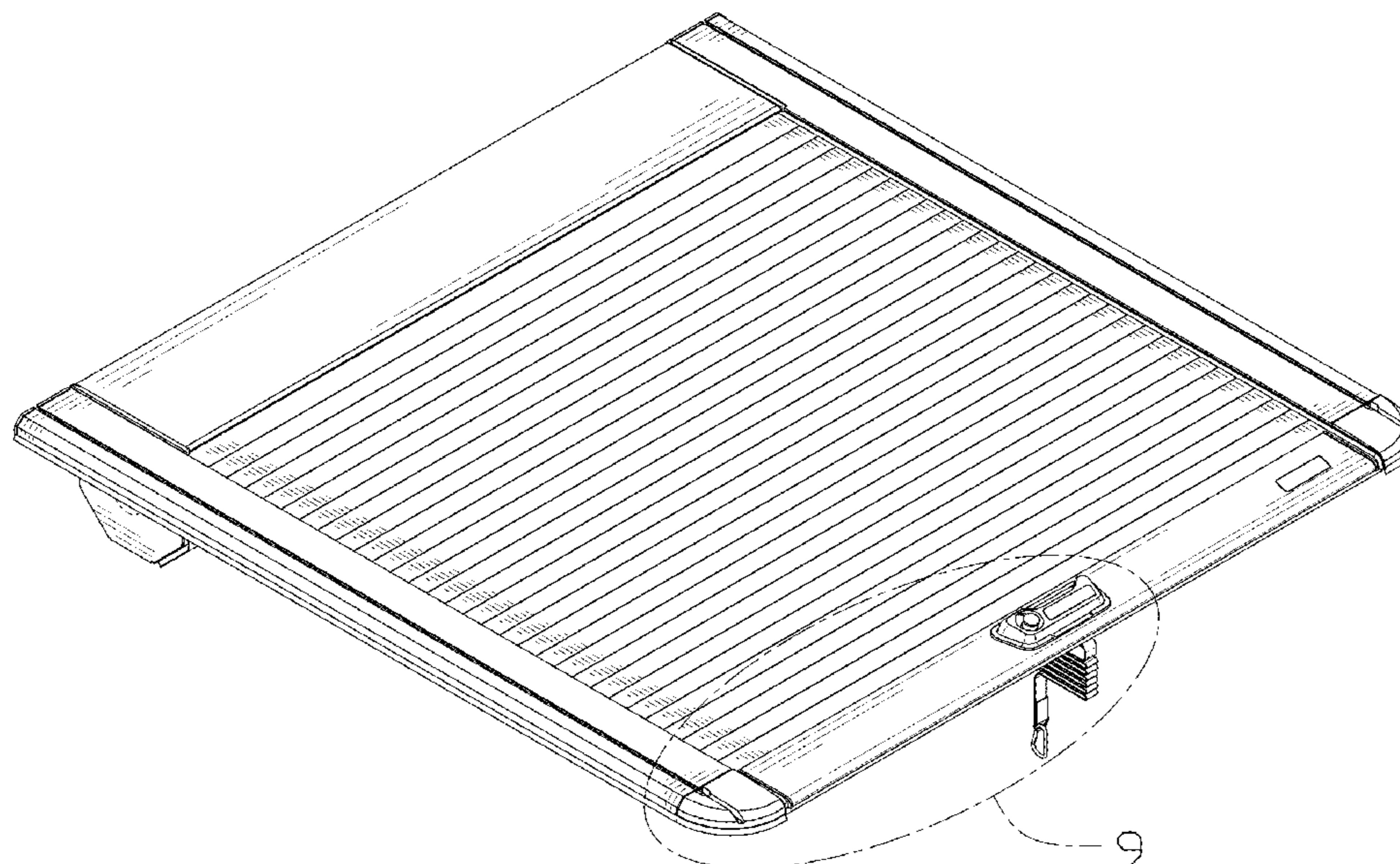
Apr. 29, 2020 (CN) 202030186598.4
(51) **LOC (13) Cl.** **06-10**
(52) **U.S. Cl.**
USPC **D6/575**
(58) **Field of Classification Search**
USPC D6/575–578, 580; D12/100, 183, 404
CPC ... E06B 9/40; E06B 9/521; E06B 9/78; E06B
9/264; E06B 9/18; E06B 9/11; E06B 9/13
See application file for complete search history.

(57) **CLAIM**
The ornamental design for a roller shade, as shown and described.

(56) **References Cited**
U.S. PATENT DOCUMENTS
1,654,857 A * 1/1928 Brady E06B 9/18
160/196.1
3,842,890 A * 10/1974 Kramer E06B 9/13
160/26
D334,501 S * 4/1993 Slocomb, Jr. D25/48.7
5,575,322 A * 11/1996 Miller E06B 9/11
160/133
D654,008 S * 2/2012 Stevens D12/345
D680,357 S 4/2013 Wills
D741,084 S * 10/2015 Stankus E06B 9/68
D6/575
D780,481 S 3/2017 Clymer et al.
D845,030 S 4/2019 Clymer et al.
10,422,182 B2 * 9/2019 Miller E06B 9/86

DESCRIPTION
FIG. 1 is a first perspective view of a roller shade showing my new design;
FIG. 2 is a second perspective view thereof;
FIG. 3 is a front view thereof;
FIG. 4 is a back view thereof;
FIG. 5 is a left side view thereof;
FIG. 6 is a right side view thereof;
FIG. 7 is a top view thereof;
FIG. 8 is a bottom view thereof;
FIG. 9 is an enlarged view of the selected portion in FIG. 1;
FIG. 10 is an enlarged view of the selected portion in FIG. 2;
FIG. 11 is an enlarged view of the selected portion in FIG. 2; and,
FIG. 12 is an enlarged view of the selected portion in FIG. 2.
The broken lines shown in the drawings depict portions of the roller shade in which the design is embodied that form no part of the claimed design.

1 Claim, 12 Drawing Sheets



(56)

References Cited

U.S. PATENT DOCUMENTS

2009/0314439 A1* 12/2009 Waters B64C 1/1492
160/84.02
2011/0108214 A1* 5/2011 Komatsu E06B 9/42
160/272
2017/0101818 A1* 4/2017 Frede E06B 9/171
2019/0390514 A1* 12/2019 Marocco E06B 9/326
2020/0024898 A1* 1/2020 Eichstetter E06B 9/68

* cited by examiner

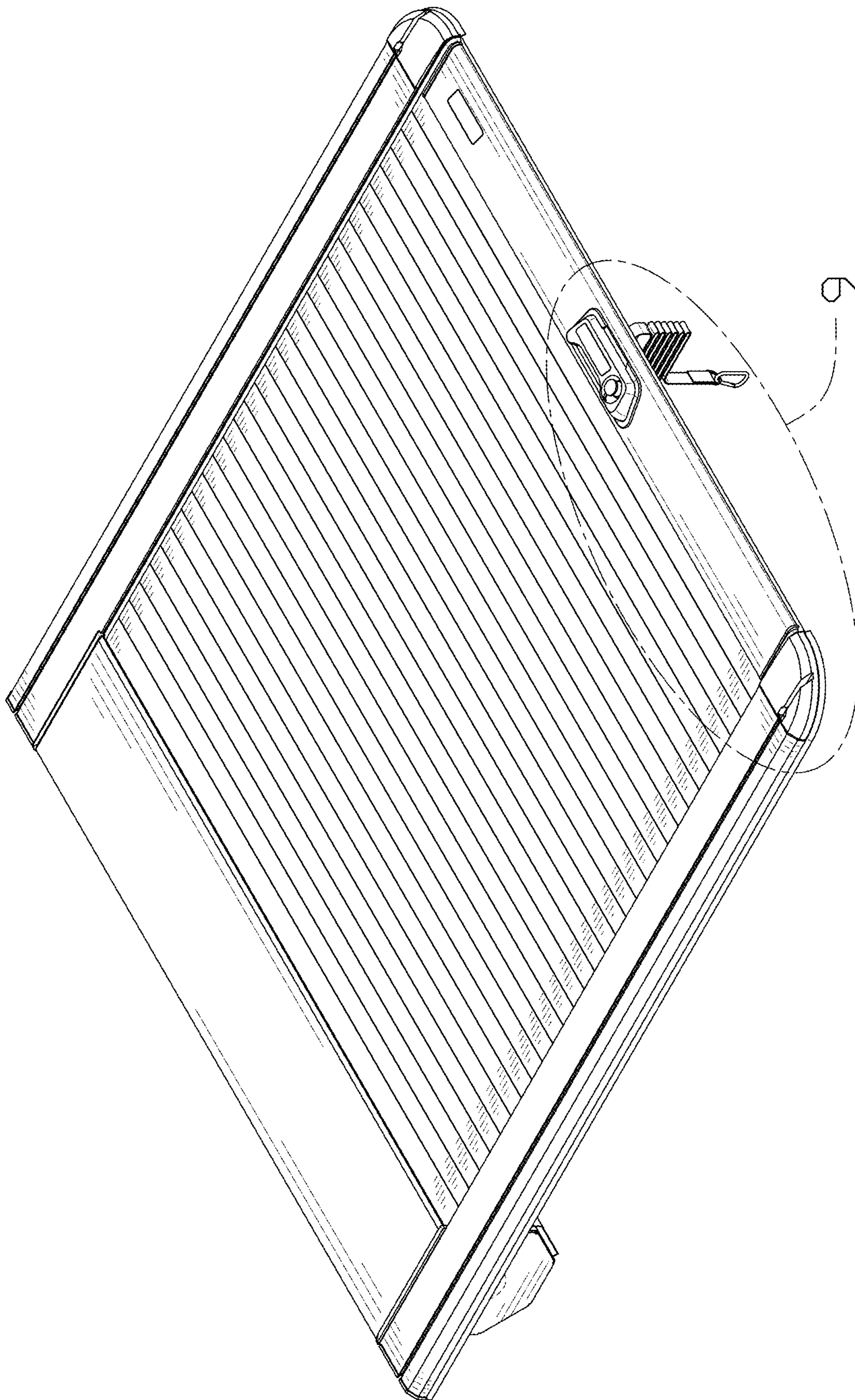


FIG. 1

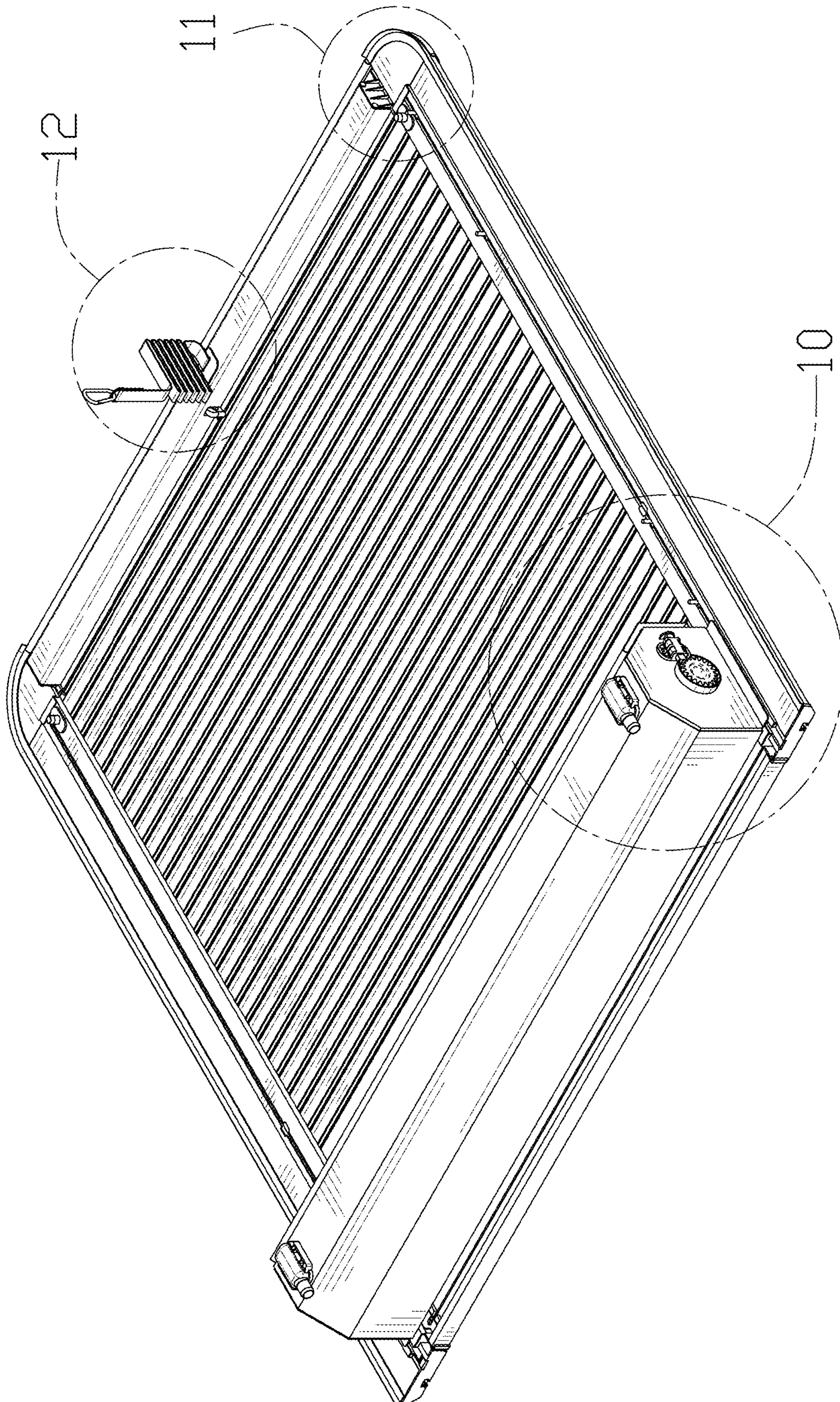


FIG. 2

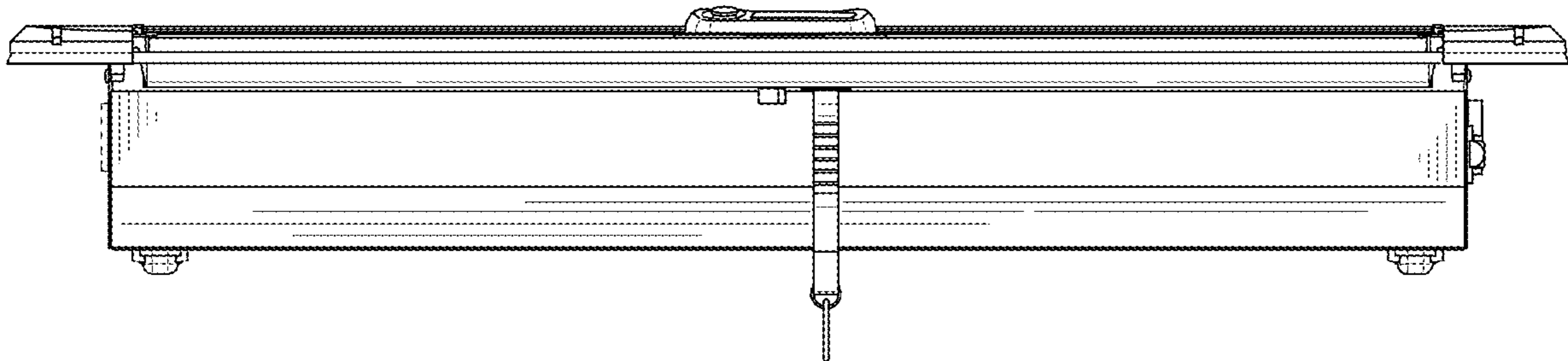


FIG. 3

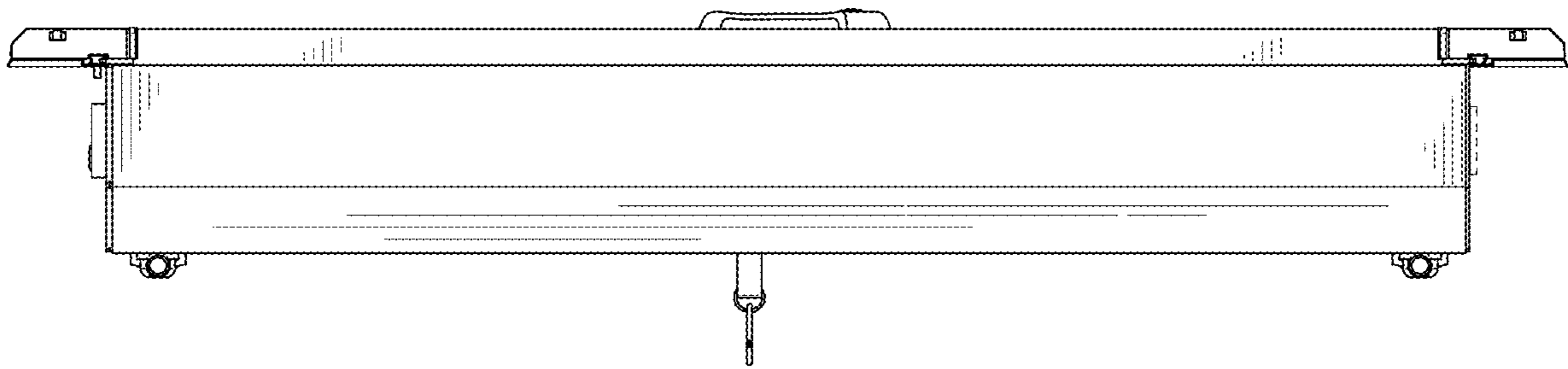


FIG. 4

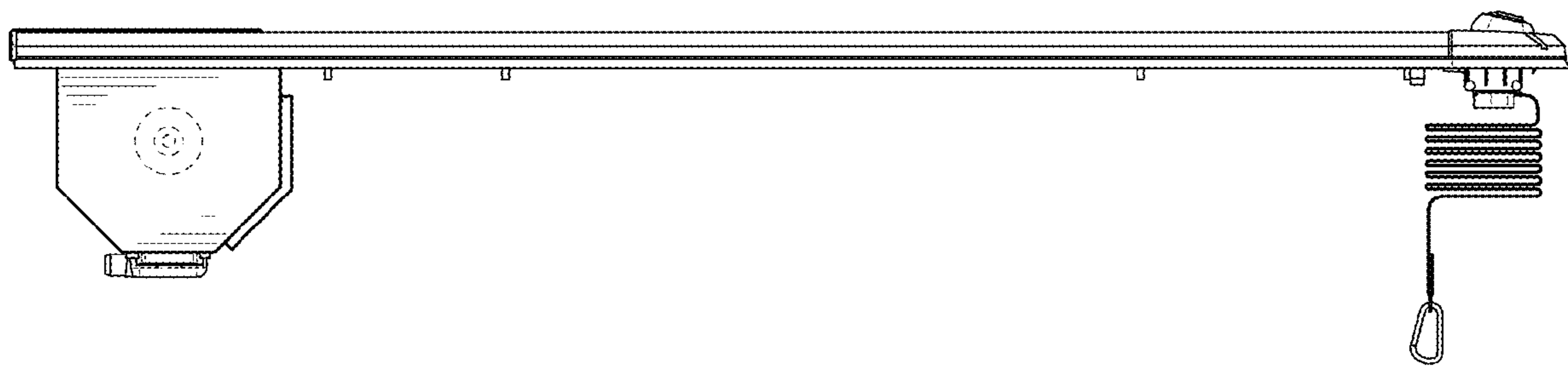


FIG. 5

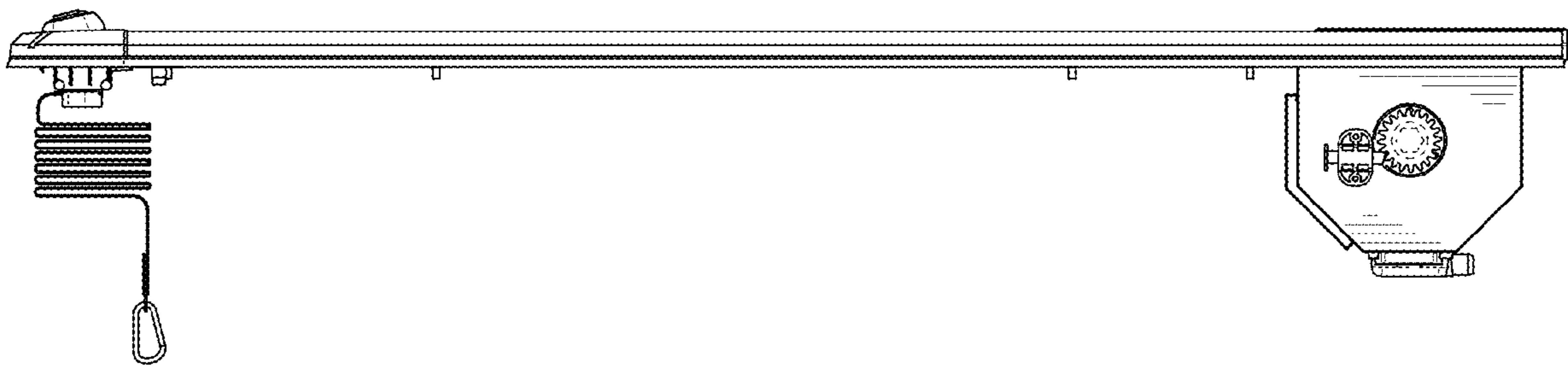


FIG. 6



FIG. 7

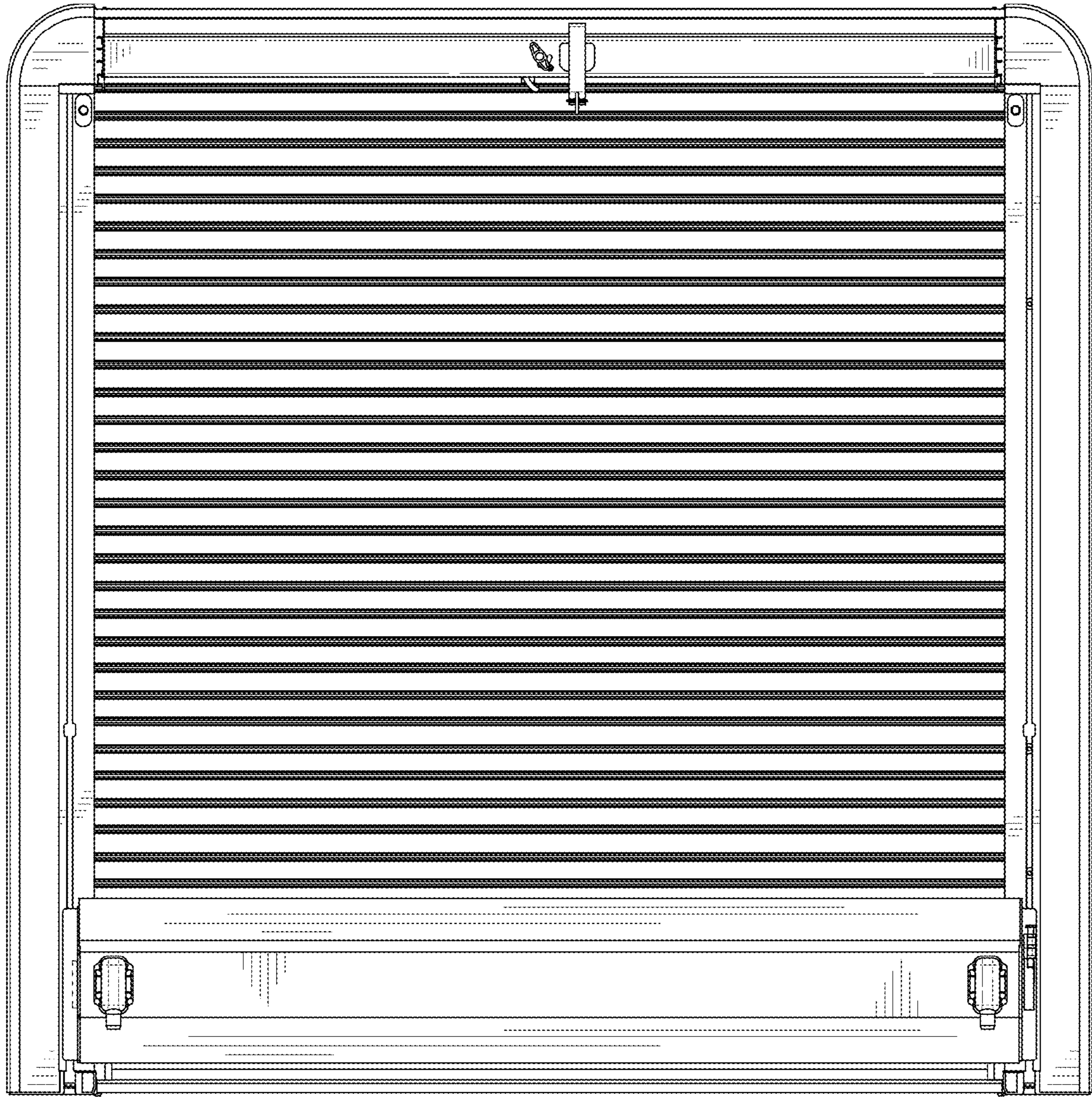


FIG. 8

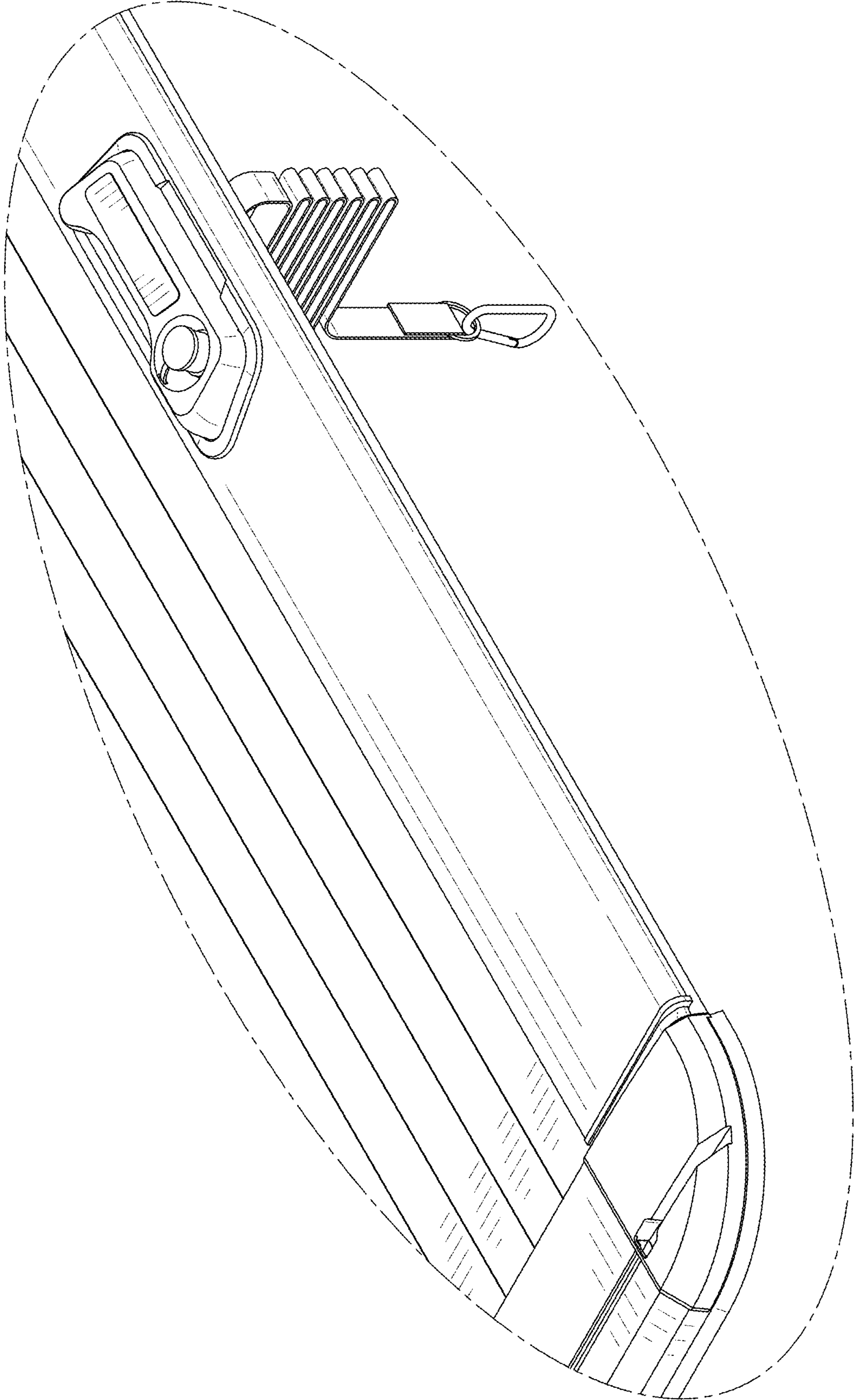


FIG. 9

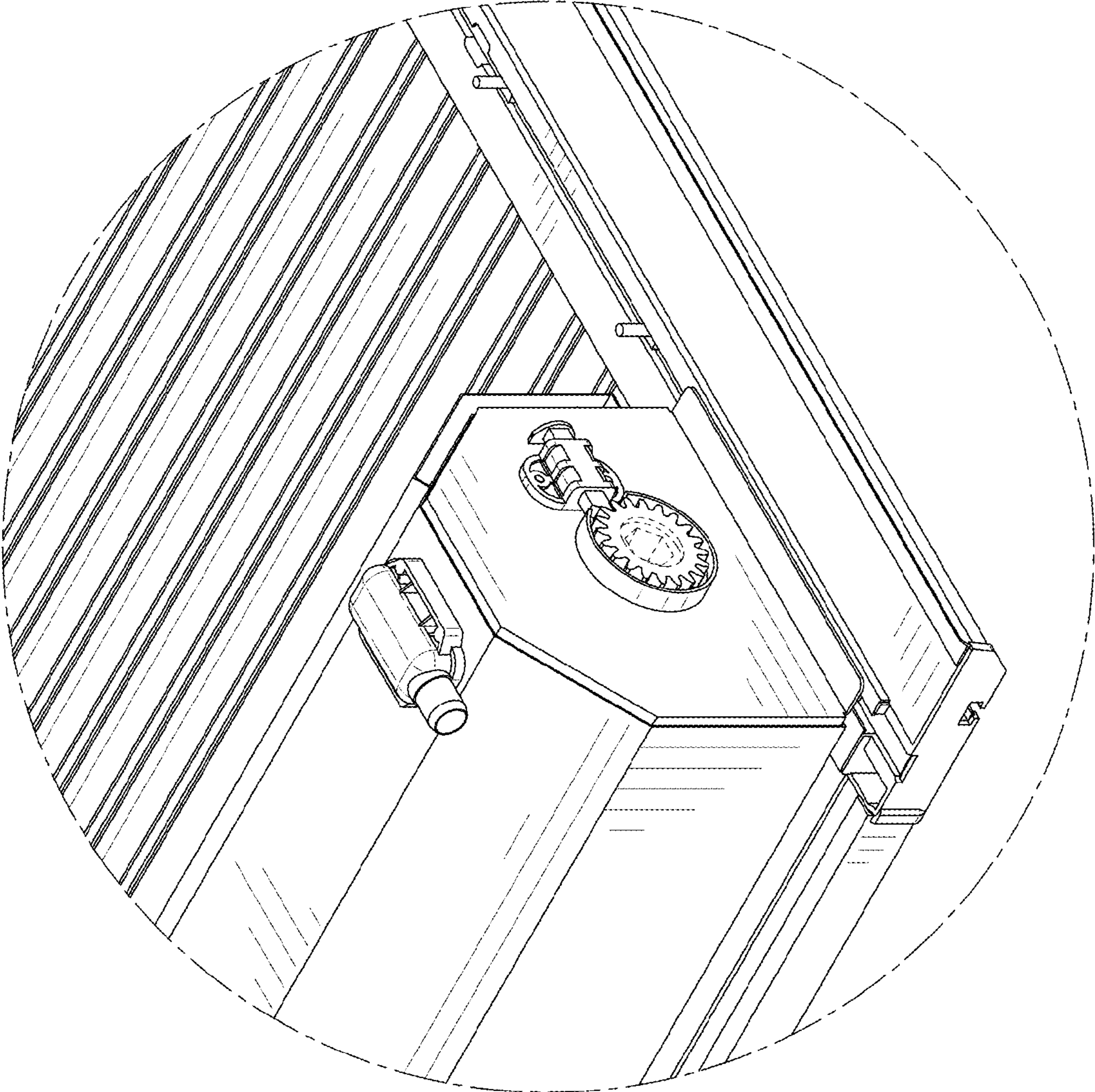


FIG. 10

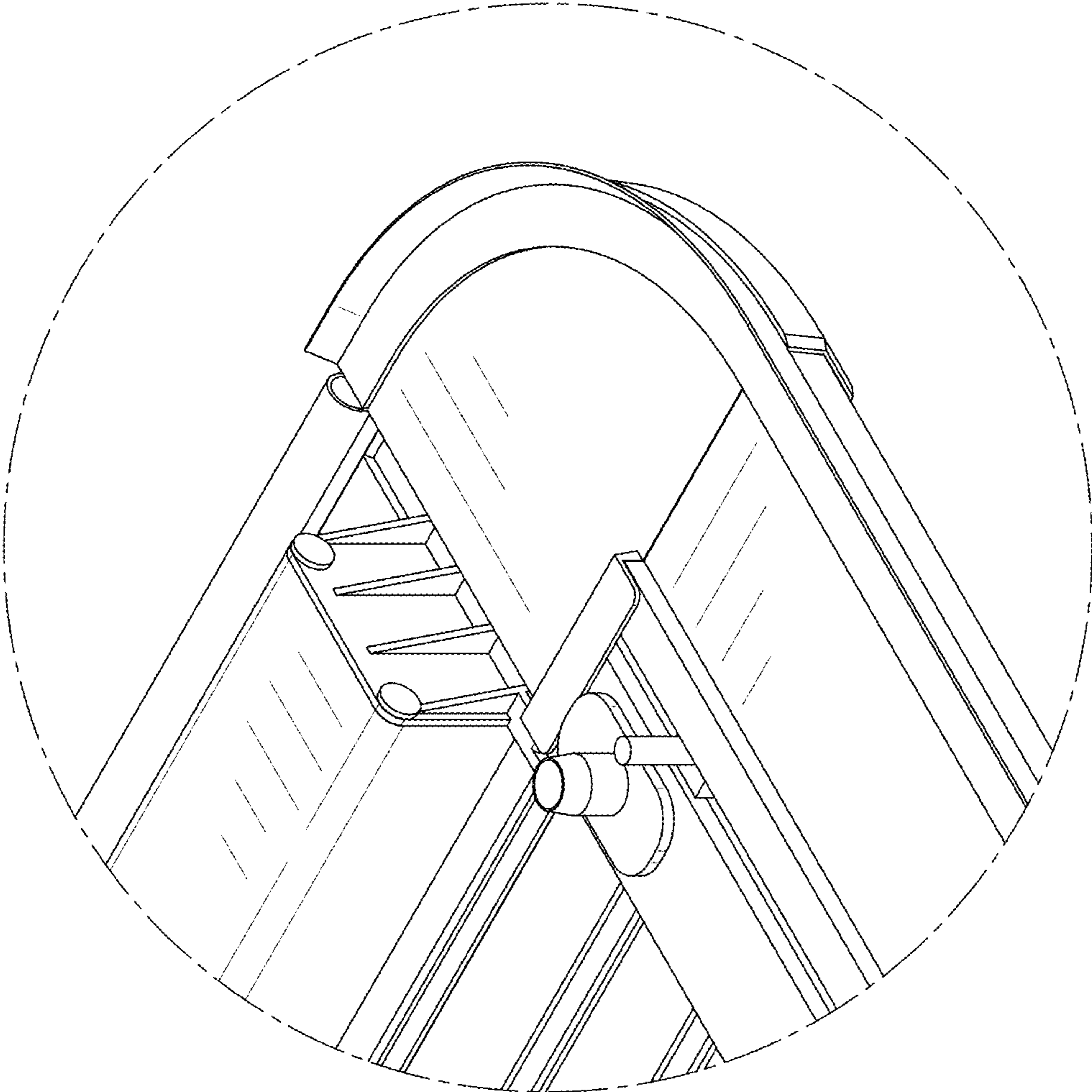


FIG. 11

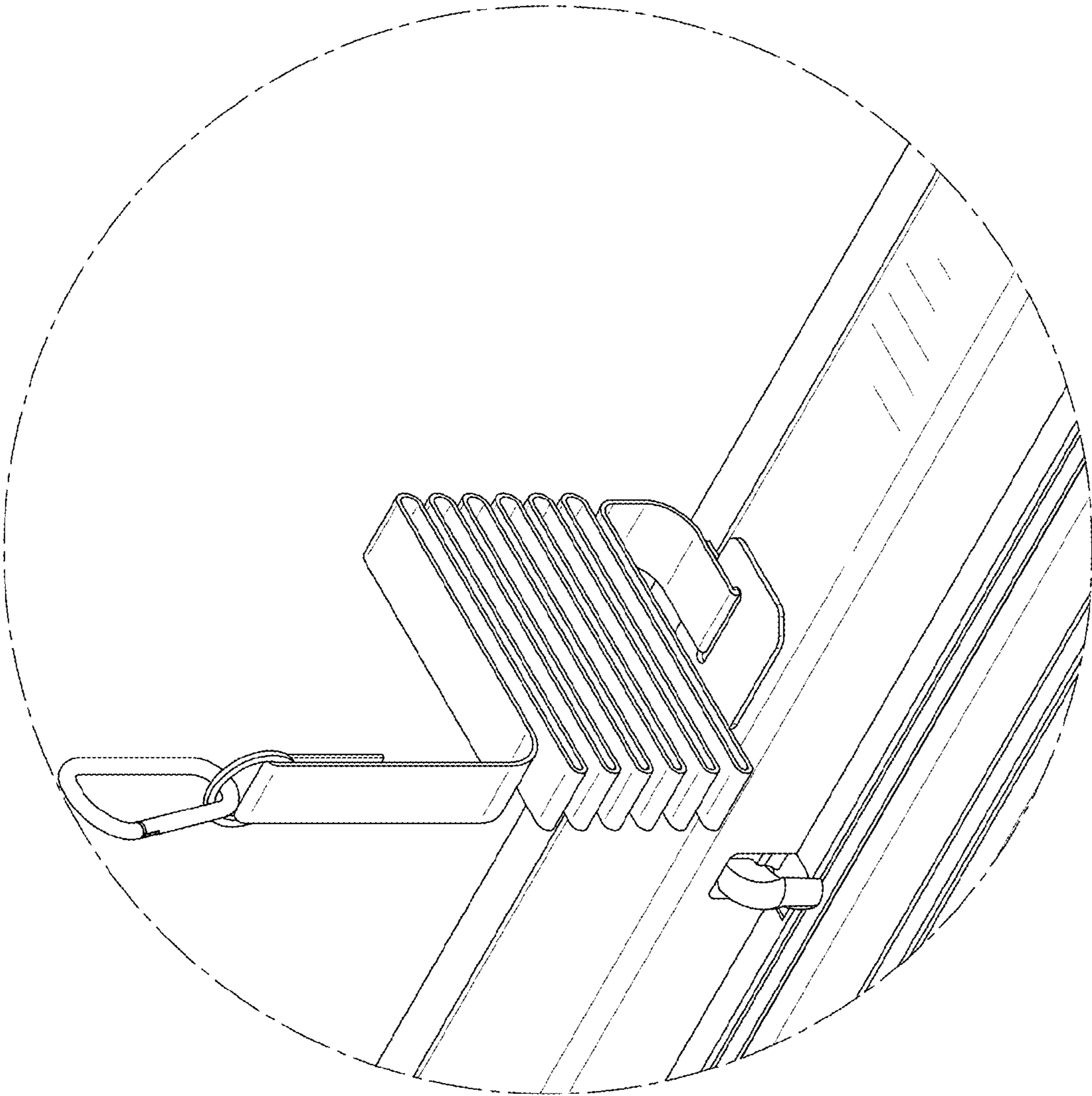


FIG. 12