



US00D918618S

(12) **United States Design Patent**
Lazarini

(10) **Patent No.:** **US D918,618 S**

(45) **Date of Patent:** **** May 11, 2021**

- (54) **TOWEL BAR**
- (71) Applicant: **DELTA FAUCET COMPANY**,
Indianapolis, IN (US)
- (72) Inventor: **Alejandra Lazarini**, Carmel, IN (US)
- (73) Assignee: **DELTA FAUCET COMPANY**,
Indianapolis, IN (US)
- (**) Term: **15 Years**
- (21) Appl. No.: **29/720,370**
- (22) Filed: **Jan. 13, 2020**
- (51) **LOC (13) Cl.** **06-04**
- (52) **U.S. Cl.**
USPC **D6/549**
- (58) **Field of Classification Search**
USPC D6/546–550, 512–525; 211/13.1, 16,
211/85.5, 86.01, 87.01, 88.04, 100, 105.1,
211/105.2, 106, 113, 123, 181.1,
211/182–183; 248/49, 175, 176.1, 200,
248/201, 205.1, 251, 302, 309.1, 315;
242/570, 590, 595–598; D8/300,
D8/315–321, 354, 363, 373, 380;
108/28–29
CPC A47K 10/3836; A47K 10/38
See application file for complete search history.

(56) **References Cited**
U.S. PATENT DOCUMENTS

D370,617 S	*	6/1996	Decursu	D8/316
D543,436 S	*	5/2007	Ricereto	D8/316
D551,056 S	*	9/2007	Ricereto	D8/317
D569,704 S	*	5/2008	Ricereto	D8/315
D570,646 S	*	6/2008	Jeon	D7/402
D588,897 S	*	3/2009	Ricereto	D8/317
D606,839 S	*	12/2009	Urquiola	D8/316

D718,606 S	*	12/2014	Ramsland	D8/315
D729,035 S	*	5/2015	Zimmer	D8/316
D737,112 S	*	8/2015	Han	D8/316
D741,683 S	*	10/2015	Park	D8/319
D764,890 S	*	8/2016	Shoemaker	D8/315
D771,408 S	*	11/2016	Garland	D6/549
D780,552 S	*	3/2017	Zimmer	D8/316
D784,728 S	*	4/2017	Eads	D6/549
D790,315 S	*	6/2017	Zimmer	D8/316
D790,316 S	*	6/2017	Zimmer	D8/316
D792,752 S	*	7/2017	Chung	D8/315
D799,854 S	*	10/2017	Andrew	D6/549
D814,825 S	*	4/2018	Ravassa	D6/549
D827,412 S	*	9/2018	Kim	D8/319
D856,074 S	*	8/2019	Kim	D7/402
D867,852 S	*	11/2019	Chellappan	D8/315
D879,582 S	*	3/2020	Olson	D8/316
D889,243 S	*	7/2020	Eads	D8/316
D897,724 S	*	10/2020	Garland	D6/549

* cited by examiner

Primary Examiner — Nathan M Johnston

(74) *Attorney, Agent, or Firm* — Nirav D. Parikh; Edgar A. Zarins

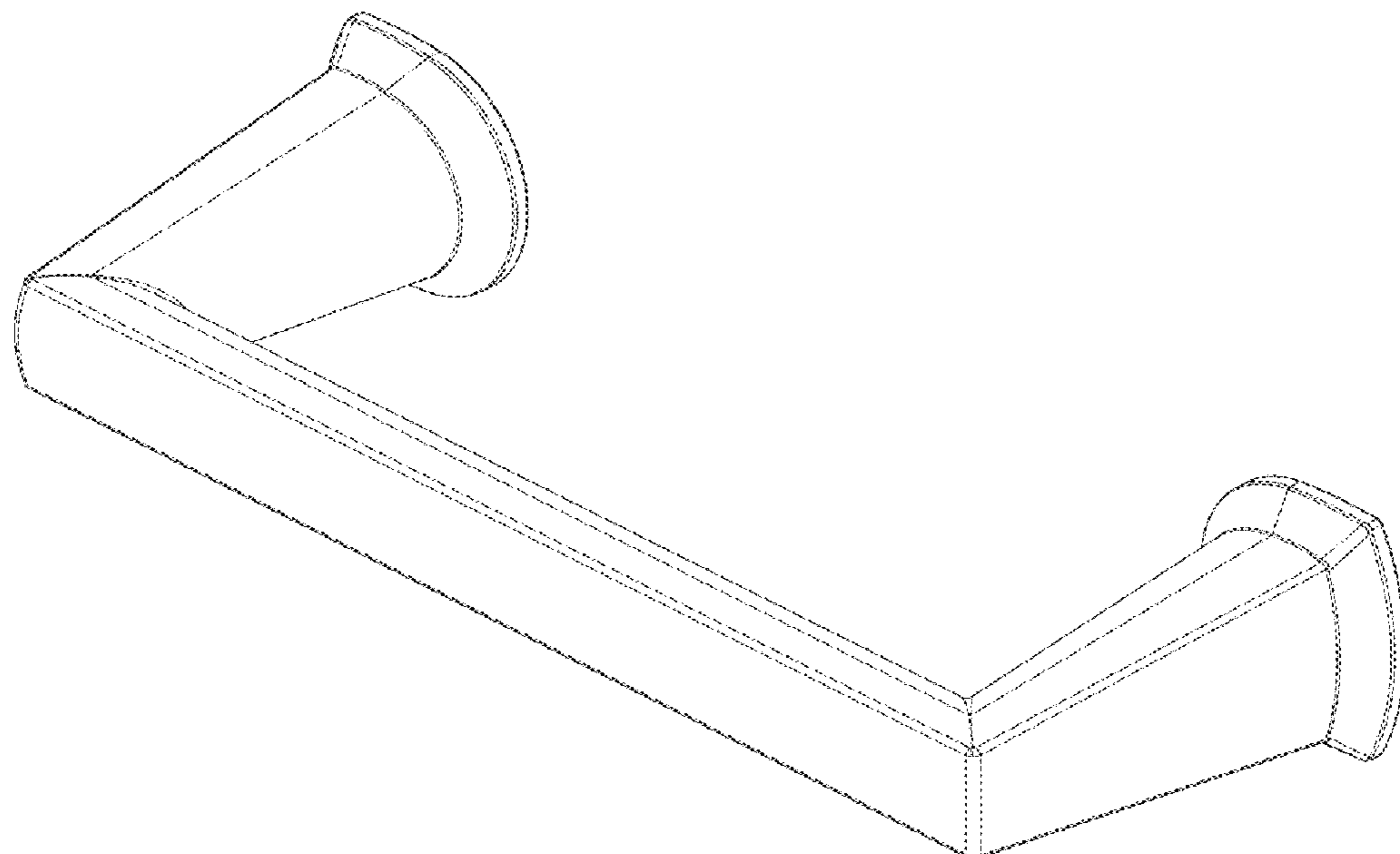
(57) **CLAIM**

The ornamental design for a towel bar, as shown and described.

DESCRIPTION

FIG. 1 is a front perspective view of a towel bar showing my new design;
 FIG. 2 is a rear perspective view thereof;
 FIG. 3 is a front elevational view thereof;
 FIG. 4 is a left side view thereof;
 FIG. 5 is a rear view thereof;
 FIG. 6 is a right side view thereof;
 FIG. 7 is a top plan view thereof; and,
 FIG. 8 is a bottom view thereof.

1 Claim, 4 Drawing Sheets



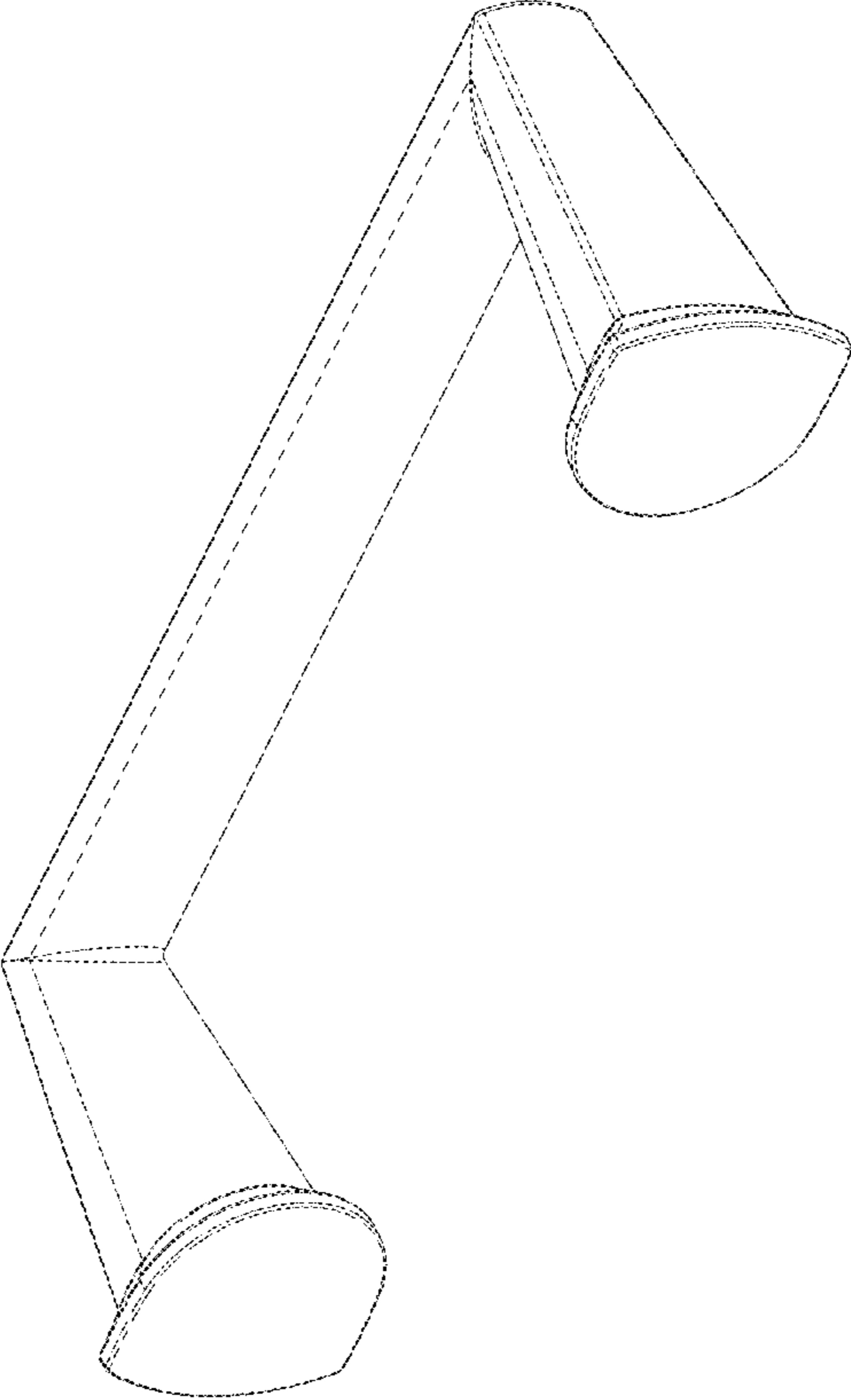


FIG - 2

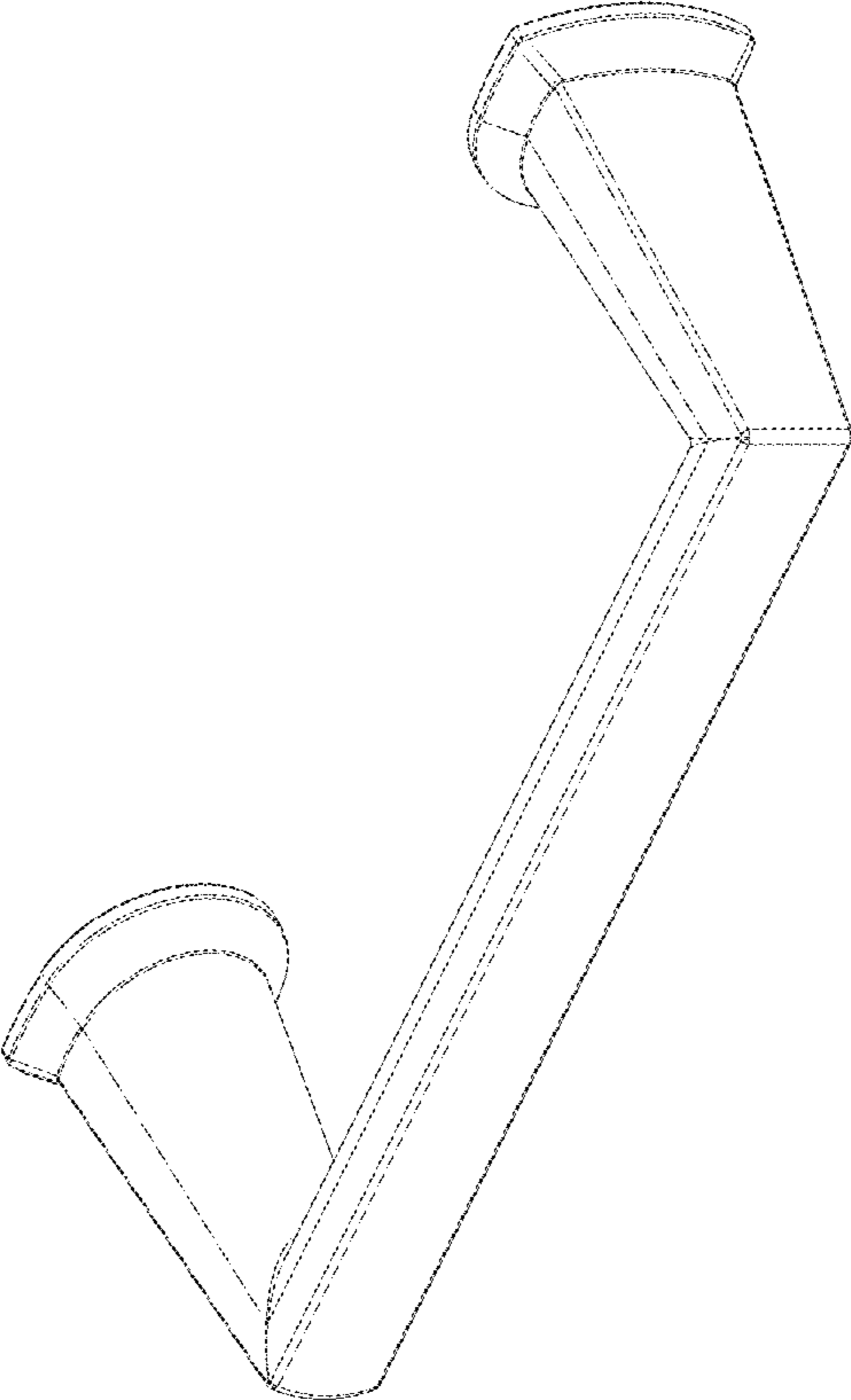


FIG - 1

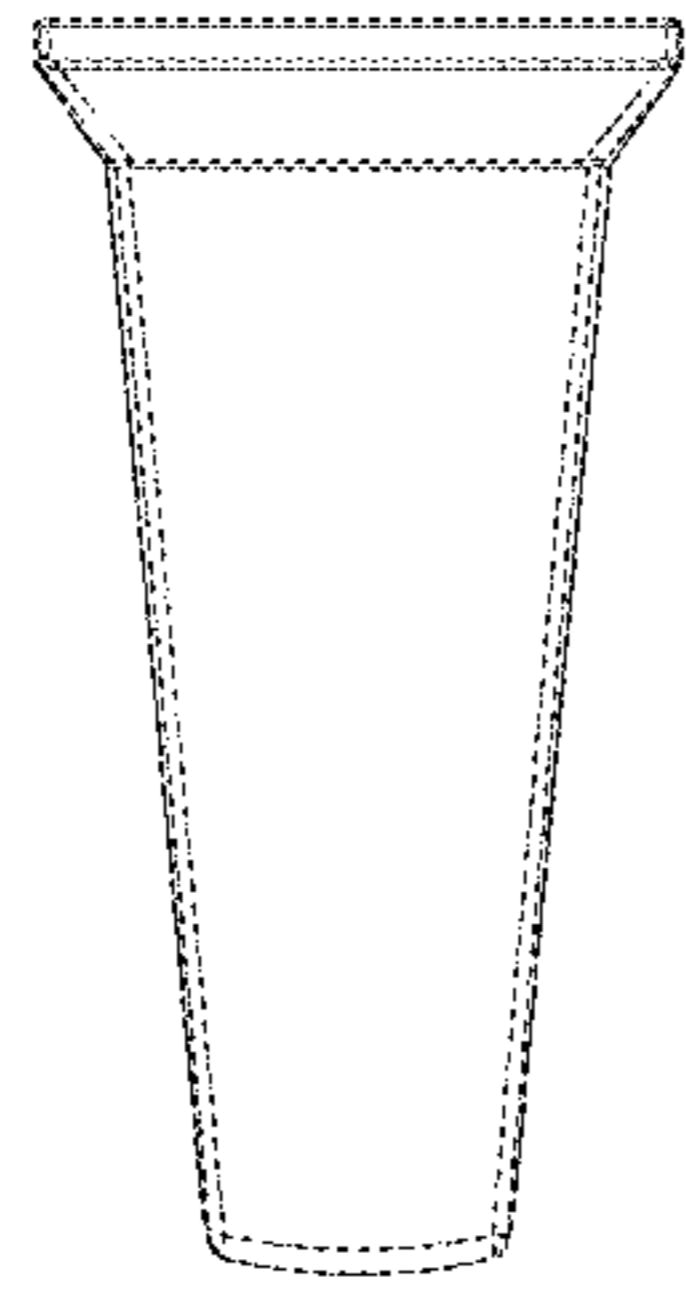


FIG - 4

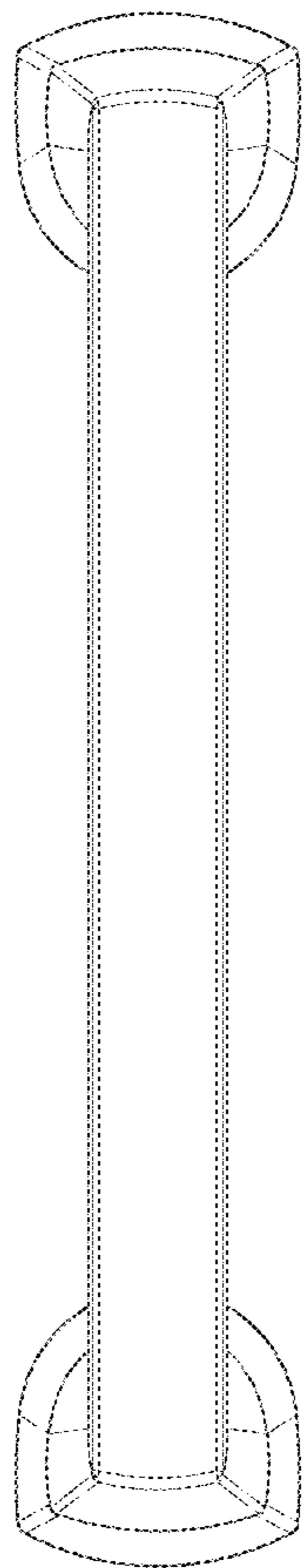


FIG - 3

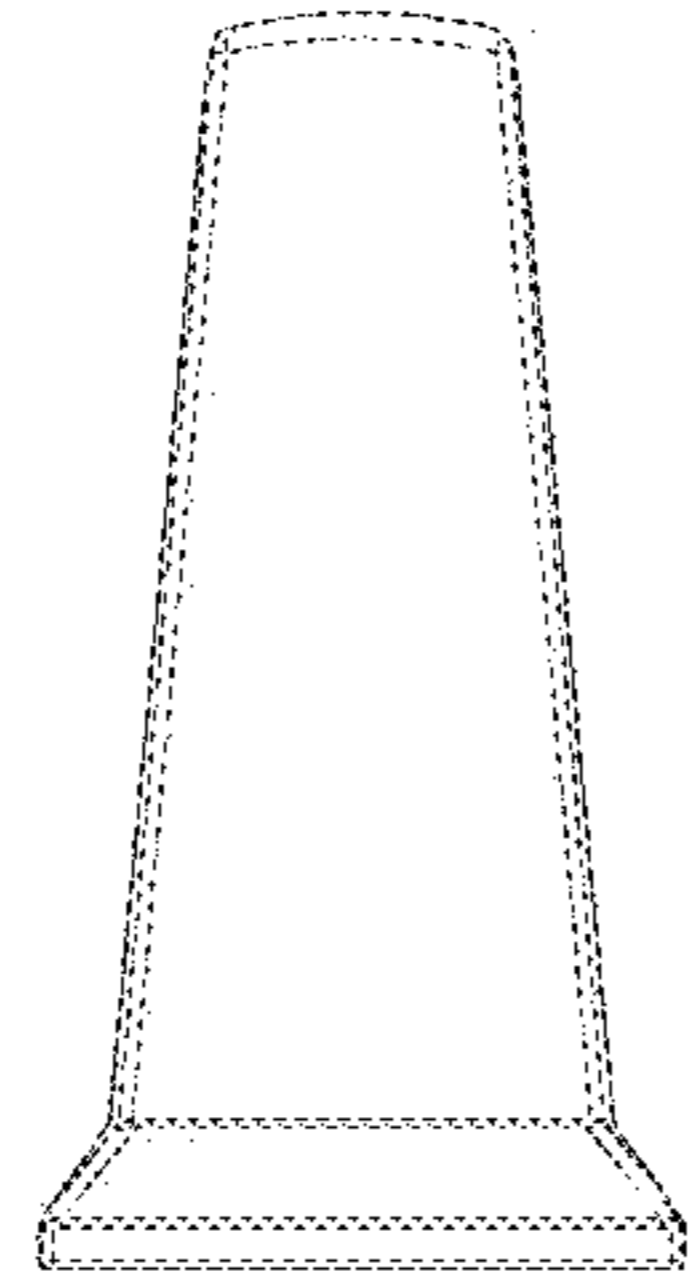


FIG - 6

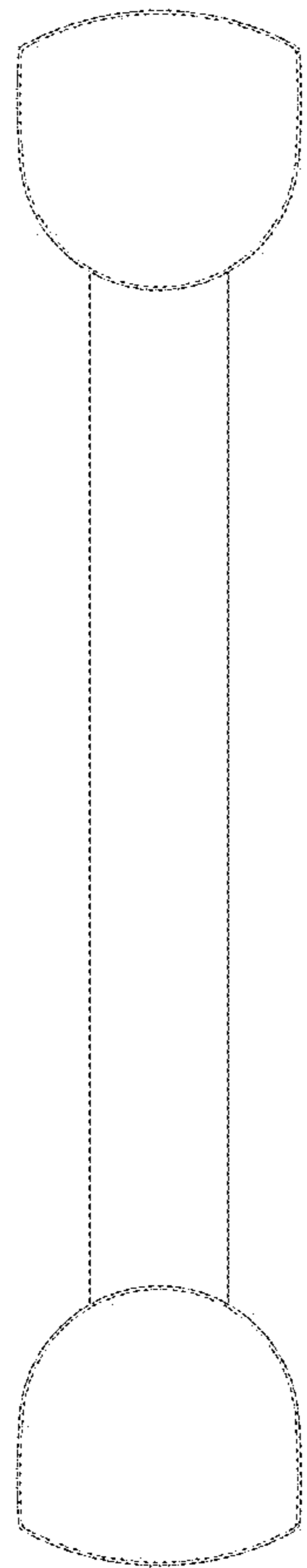


FIG - 5

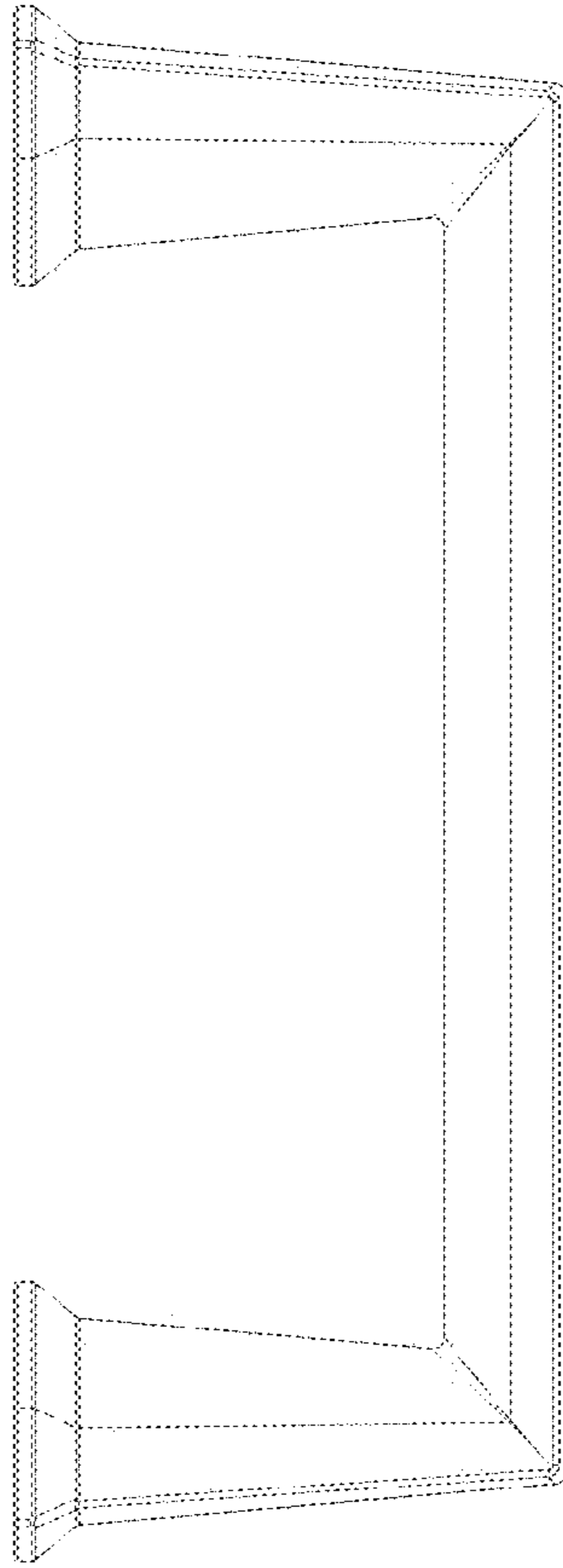


FIG. 8

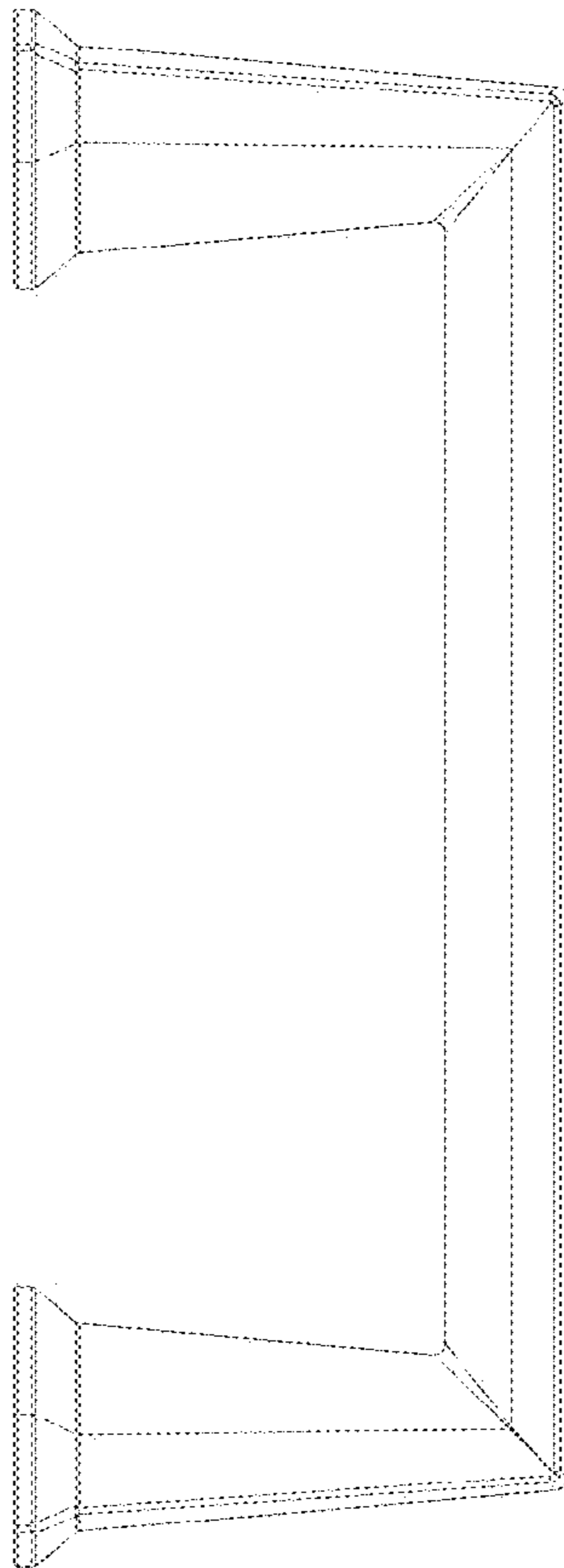


FIG. 7