

US00D918617S

(12) **United States Design Patent** (10) **Patent No.:** **US D918,617 S**
Buter et al. (45) **Date of Patent:** **** May 11, 2021**

(54) **DISPENSER**

(71) Applicant: **Conopco, Inc.**, Englewood Cliffs, NJ (US)
 (72) Inventors: **René Joachim Buter**, SL Vlaardingen (NL); **Fernanda Morishito Costa**, London (GB); **Leonie Martine Diks-Warmerdam**, PD Maassluis (NL); **Johannes Krieg**, XK Rotterdam (NL)

(73) Assignee: **Conopco, Inc.**, Englewood Cliffs, NJ (US)

(**) Term: **15 Years**

(21) Appl. No.: **29/674,030**

(22) Filed: **Dec. 19, 2018**

(30) **Foreign Application Priority Data**

Jul. 3, 2018 (EM) 005378007-0001

(51) **LOC (13) Cl.** **23-02**

(52) **U.S. Cl.**
USPC **D6/542**

(58) **Field of Classification Search**
 USPC D6/545, 542, 543, 544; 206/77.1; 211/282-283; 222/92, 105, 173, 180, 222/181.1, 181.2, 181.3, 282, 283; 221/96, 132
 CPC B01L 3/52; B05B 11/3014; B05B 9/0403; B05B 9/0426; C11D 17/08; A45D 19/02; A47K 5/12; A47K 5/1202; A47K 5/1211; B67D 7/0255; B01F 15/0243; B01F 15/0254; B01F 5/12; B01F 5/20; B05D 5/00

See application file for complete search history.

(56) **References Cited**

U.S. PATENT DOCUMENTS

D632,773 S * 2/2011 Abbondanzio D23/366
 D637,274 S * 5/2011 Chan D23/364
 D817,024 S * 5/2018 Venigalla D6/542
 D847,533 S * 5/2019 Wang D6/542
 D853,748 S * 7/2019 Zou D6/542

FOREIGN PATENT DOCUMENTS

EM 001852674-0001 4/2011

* cited by examiner

Primary Examiner — Mark Booker

(74) *Attorney, Agent, or Firm* — Gerard J. McGowan, Jr.

(57) **CLAIM**

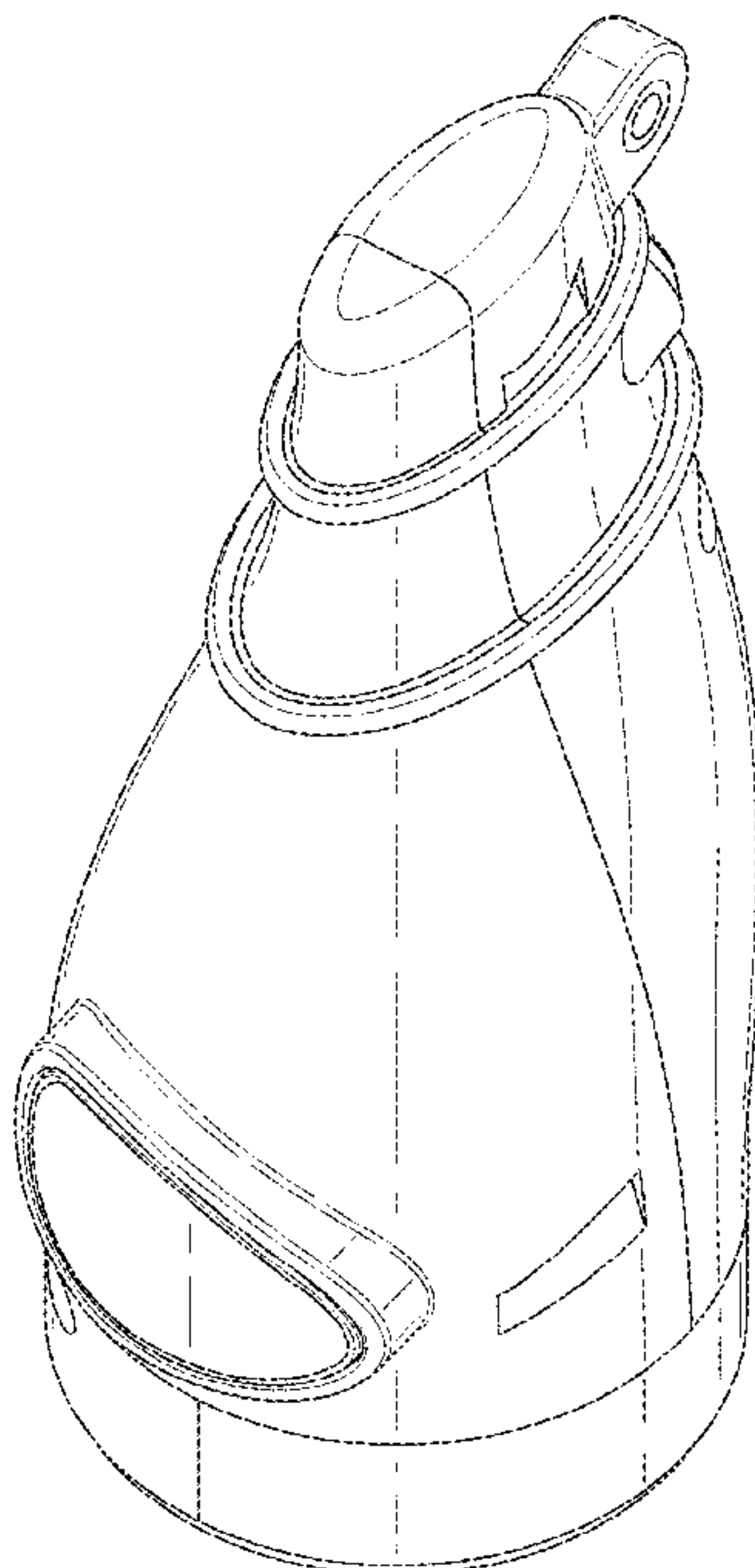
We claim the ornamental design for a dispenser, as shown and described.

DESCRIPTION

FIG. 1 is a perspective view of the dispenser showing my new design;
 FIG. 2 is a front elevation view thereof;
 FIG. 3 is a rear elevation view thereof;
 FIG. 4 is a left side elevation view thereof;
 FIG. 5 is a right side elevation view thereof; and,
 FIG. 6 is a top plan view thereof.

The broken lines shown in the figures represent portions of the dispenser that form no part of the claimed design.

1 Claim, 6 Drawing Sheets



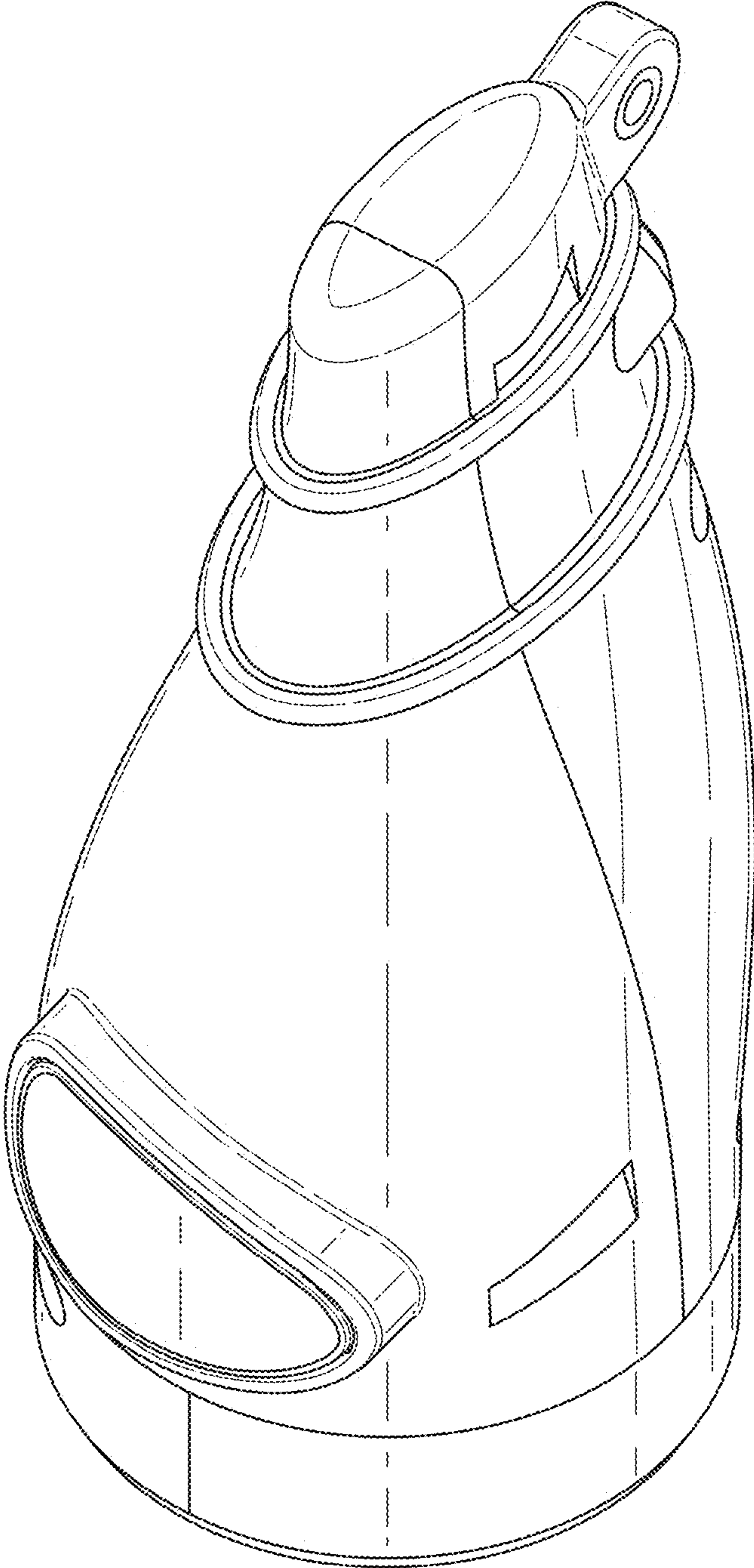


FIG. 1

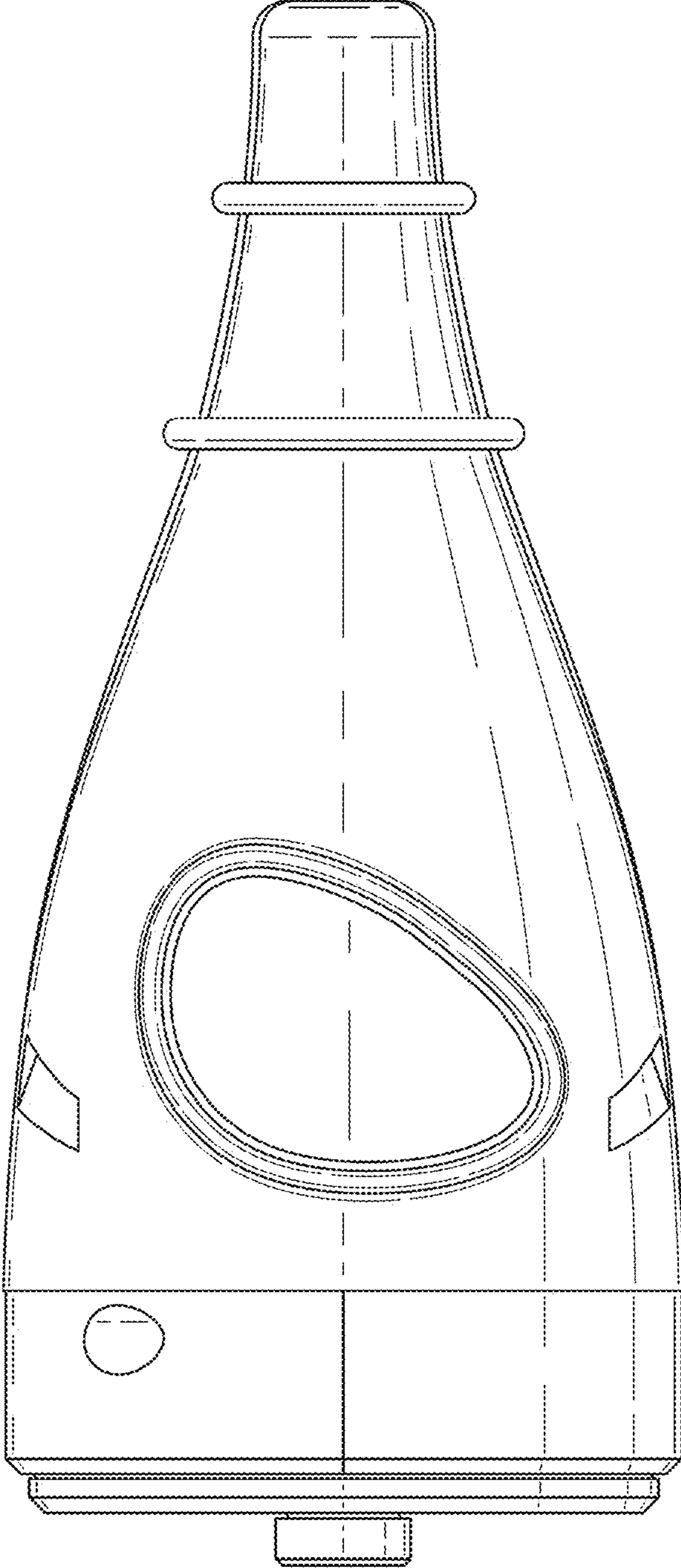


FIG. 2

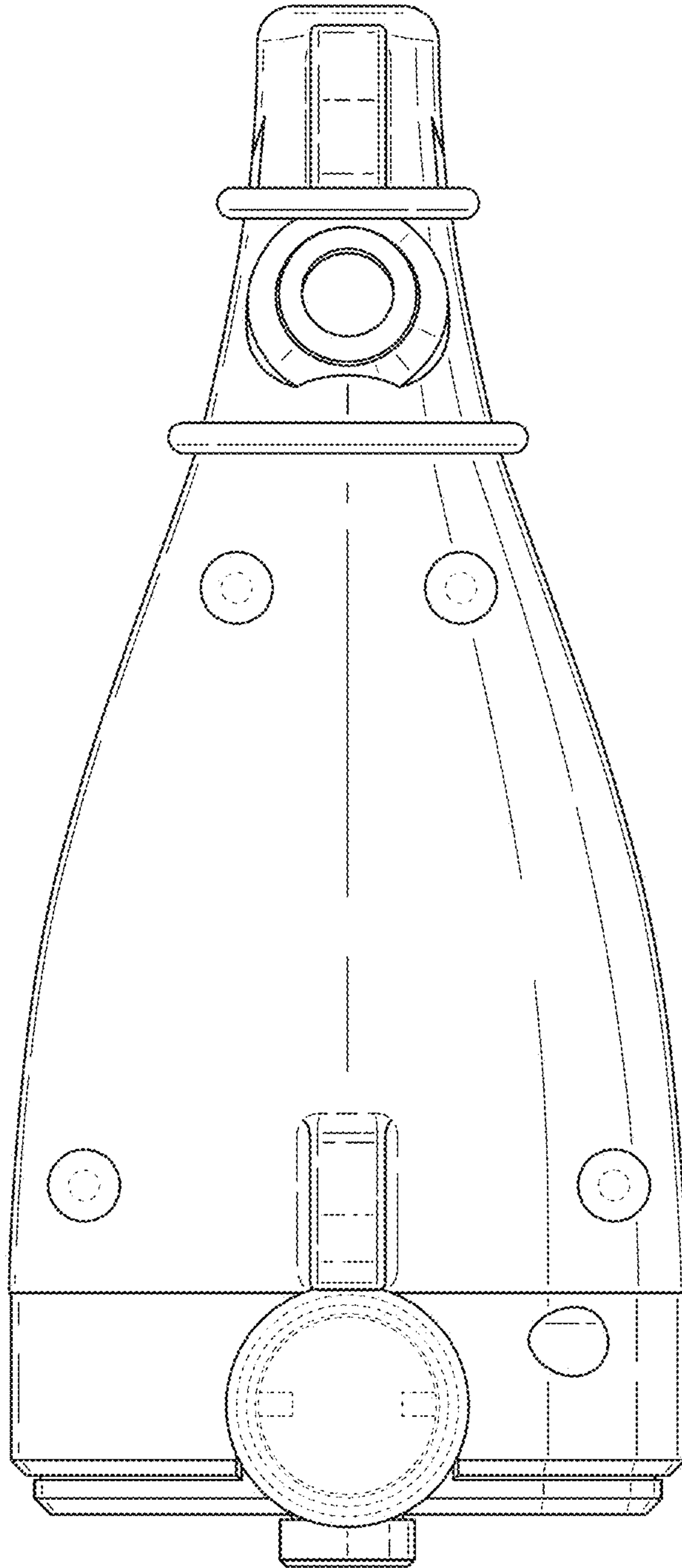


FIG. 3

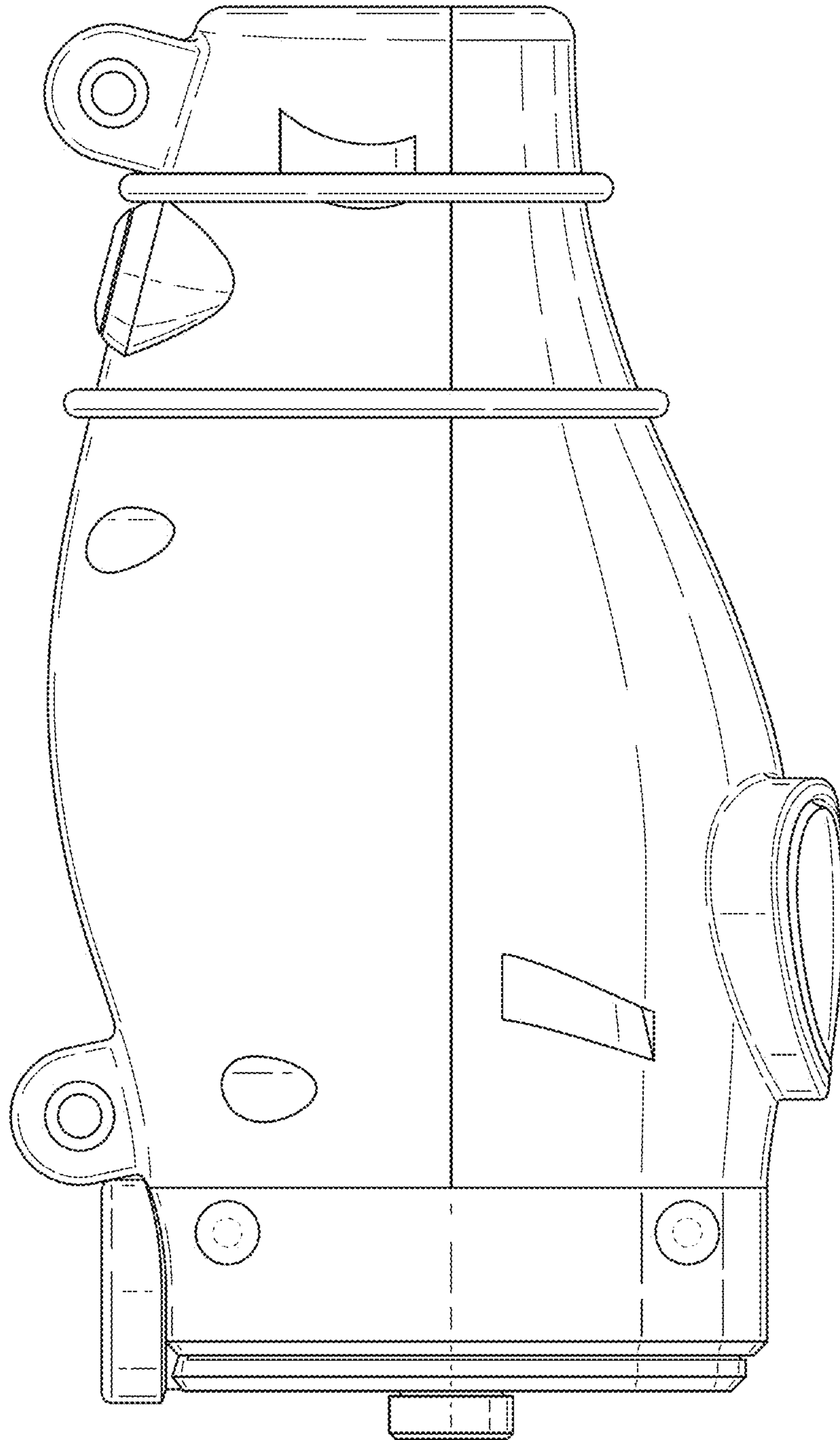


FIG. 4

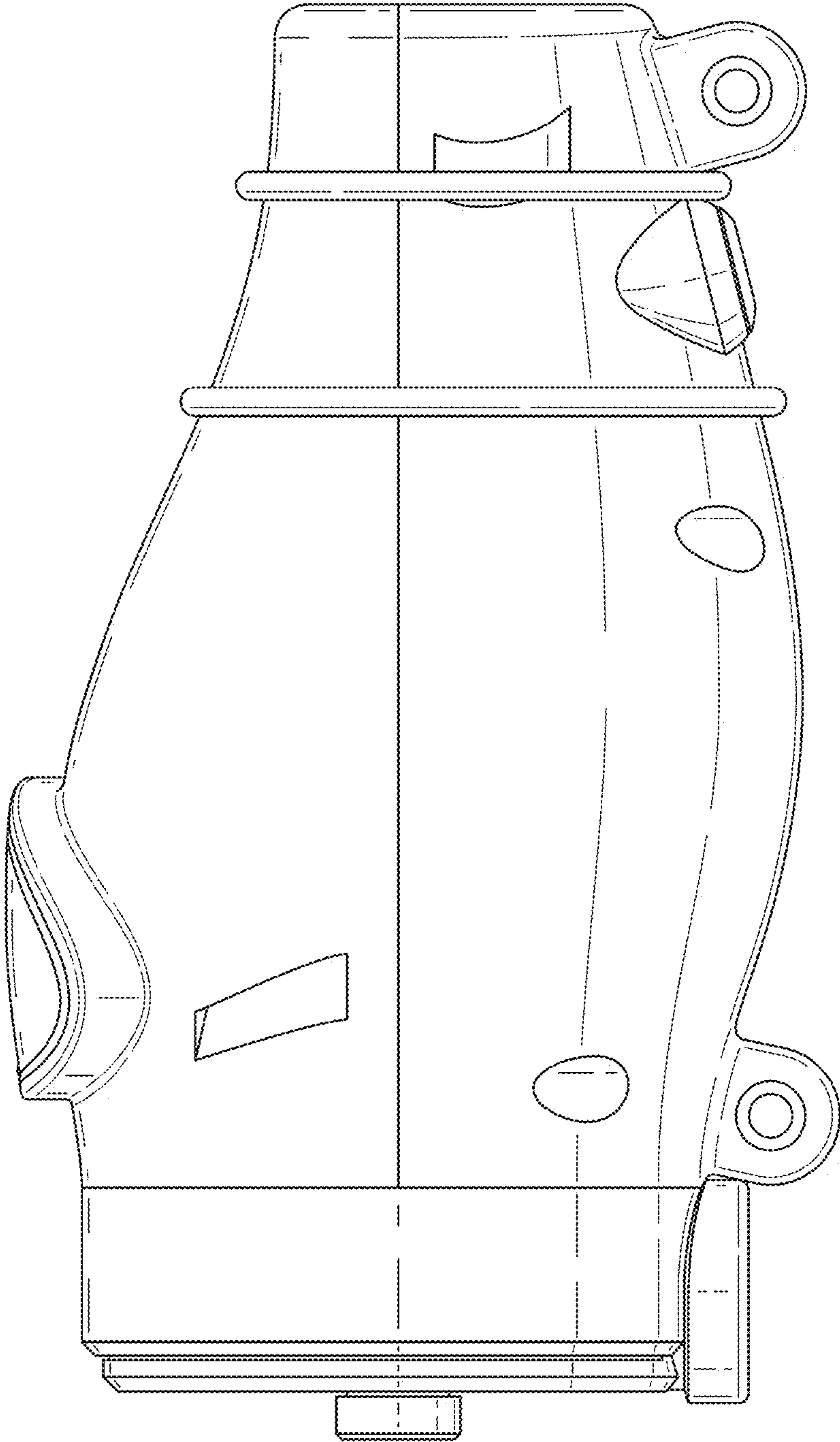


FIG. 5

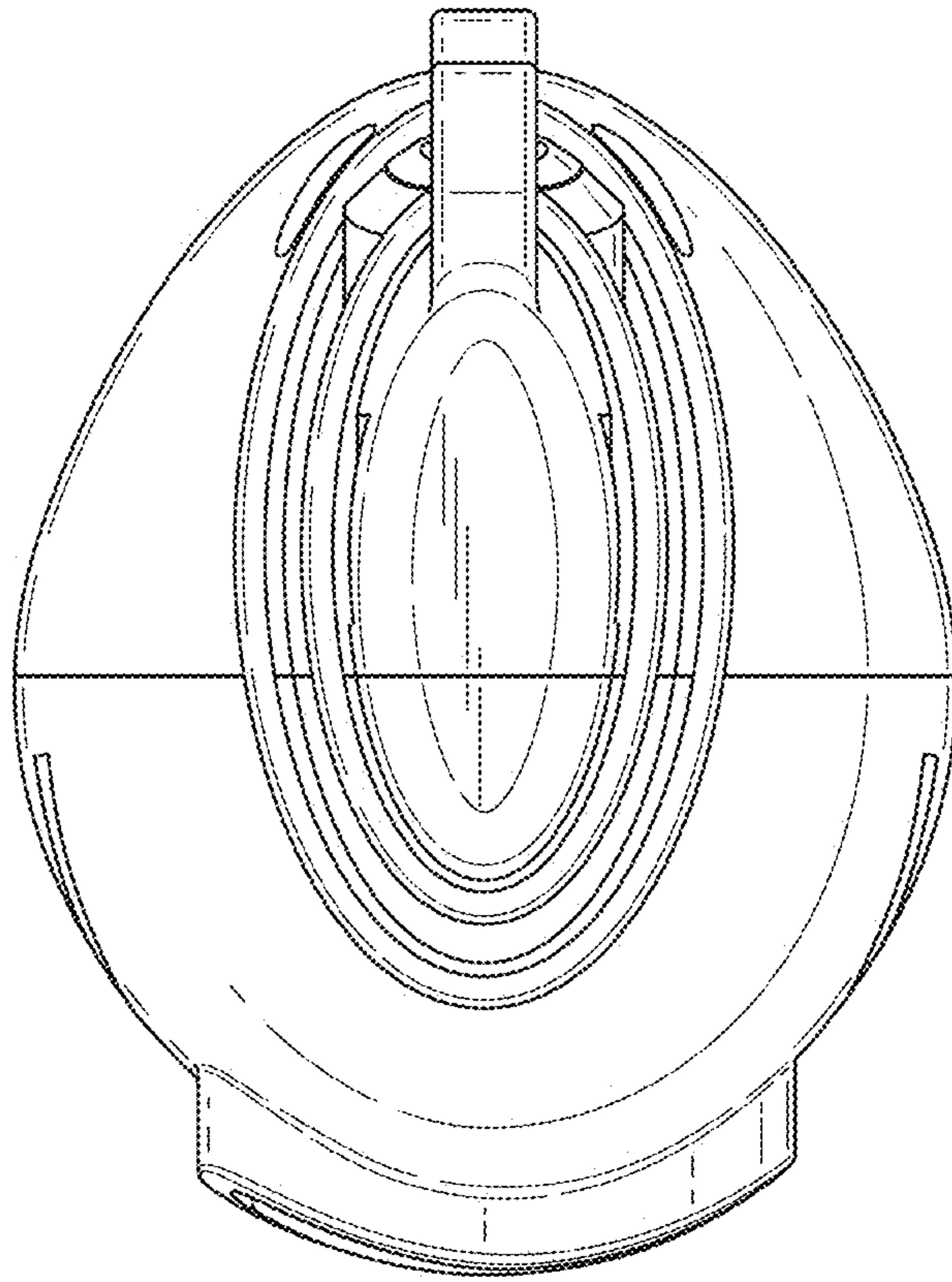


FIG. 6