



US00D918616S

(12) **United States Design Patent**
Zheng

(10) **Patent No.:** **US D918,616 S**

(45) **Date of Patent:** **** May 11, 2021**

(54) **STORAGE SHELF**

(71) Applicant: **Qiran Zheng**, Jinhua (CN)

(72) Inventor: **Qiran Zheng**, Jinhua (CN)

(**) Term: **15 Years**

(21) Appl. No.: **29/764,619**

(22) Filed: **Dec. 31, 2020**

(51) **LOC (13) Cl.** **23-02**

(52) **U.S. Cl.**

USPC **D6/523**

(58) **Field of Classification Search**

USPC D6/523, 518–519, 522, 527; 16/110.1,
16/412, 415; 108/28–29; 206/389, 557;
211/13.1, 16, 60.1, 86.01, 87.01, 88.01,
211/88.04, 100, 105.1, 105.2, 123, 126.1,
211/133.6, 134, 181.1, 182; 242/570,
242/590, 595–598, 560.2, 594; D24/524
CPC . A47K 10/38; A47K 2010/3253; A47J 47/16;
A47G 19/02; A47G 23/06; A47F 5/0018;
A47F 5/0043; A47F 5/04
See application file for complete search history.

(56) **References Cited**

U.S. PATENT DOCUMENTS

D472,414 S * 4/2003 Gilbert D6/523
D476,835 S * 7/2003 Lai D6/523
D493,643 S * 8/2004 Snell D6/523
D513,680 S 1/2006 Snell
6,988,691 B1 * 1/2006 Lai A47K 10/38
242/594
D642,410 S * 8/2011 Vaults, Jr. D6/524

D691,389 S * 10/2013 Snider D6/519
D775,850 S * 1/2017 Tsai D6/523
D878,081 S 3/2020 Kaselau
D895,318 S * 9/2020 Dratch D6/523

OTHER PUBLICATIONS

MyGift Enterprise LLC., Freestanding Industrial Pipe & Burnt Wood Toilet Paper Roll Holder—Mar. 25, 2021, www.mygift.com, URL: https://www.mygift.com/products/industrial-style-toilet-paper-roll-holder, 1 pg, retrieved Mar. 25, 2021 (Year: 2021).*

* cited by examiner

Primary Examiner — Wan Laymon
Assistant Examiner — Mark Booker

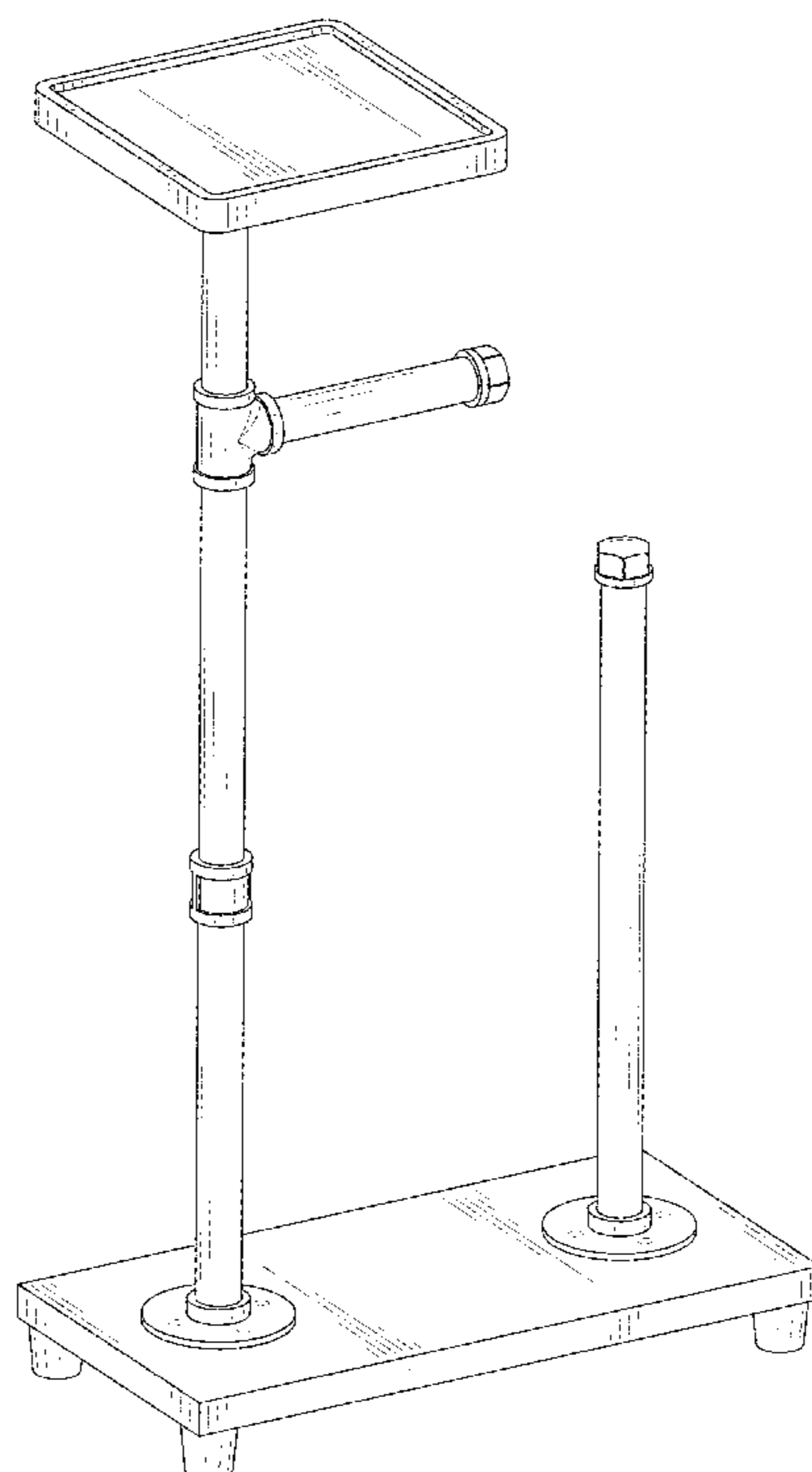
(57) **CLAIM**

The ornamental design for a storage shelf, as shown and described.

DESCRIPTION

FIG. 1 is a perspective view of a storage shelf showing my new design;
FIG. 2 is another perspective view thereof;
FIG. 3 is a front elevational view thereof
FIG. 4 is a rear elevational view thereof;
FIG. 5 is a left side elevational view thereof;
FIG. 6 is a right side elevational view thereof;
FIG. 7 is a top plan view thereof; and,
FIG. 8 is a bottom plan view thereof.
The broken lines in the drawings depict portions of the storage shelf that form no part of the claimed design.

1 Claim, 8 Drawing Sheets



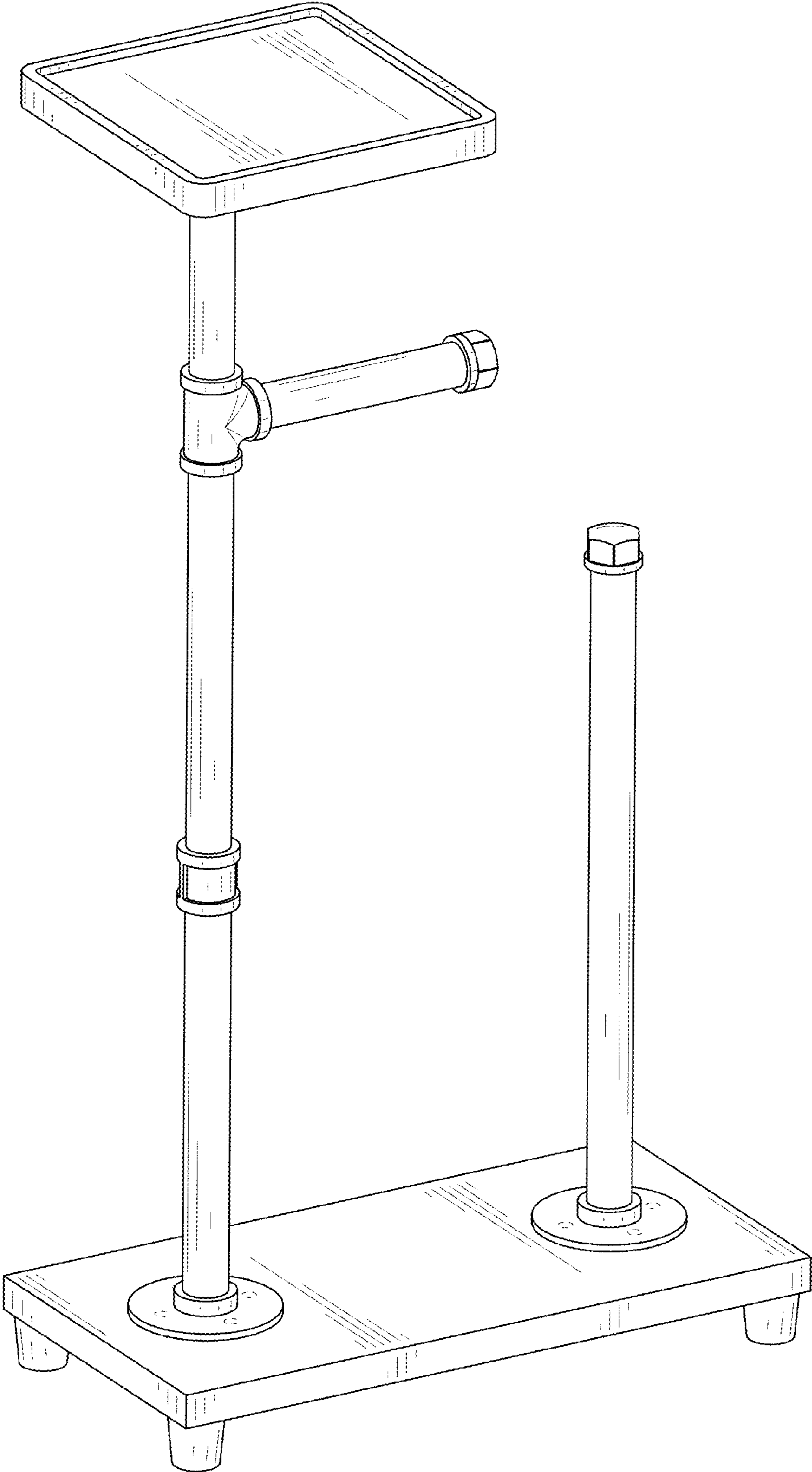


FIG. 1

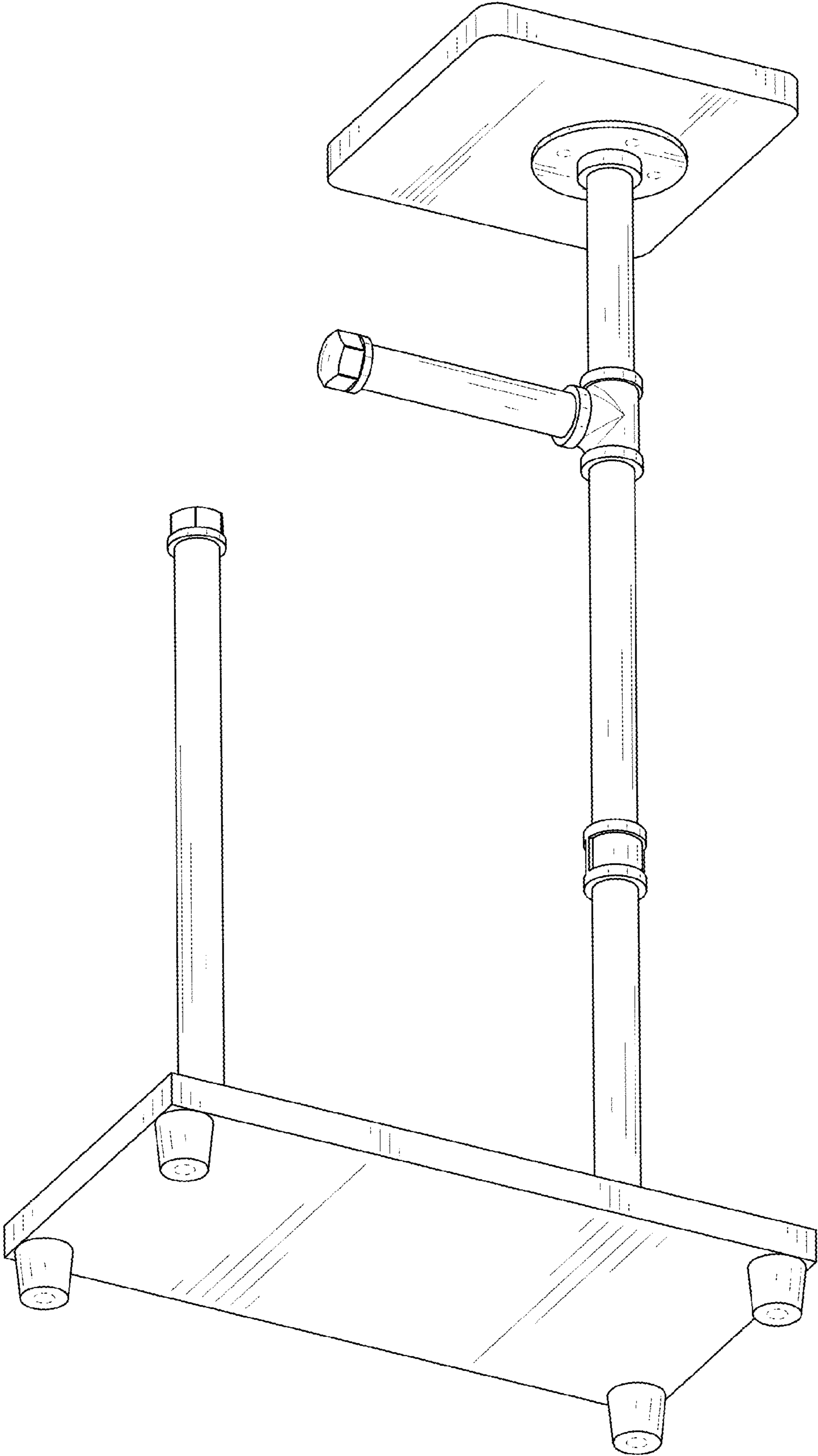


FIG. 2

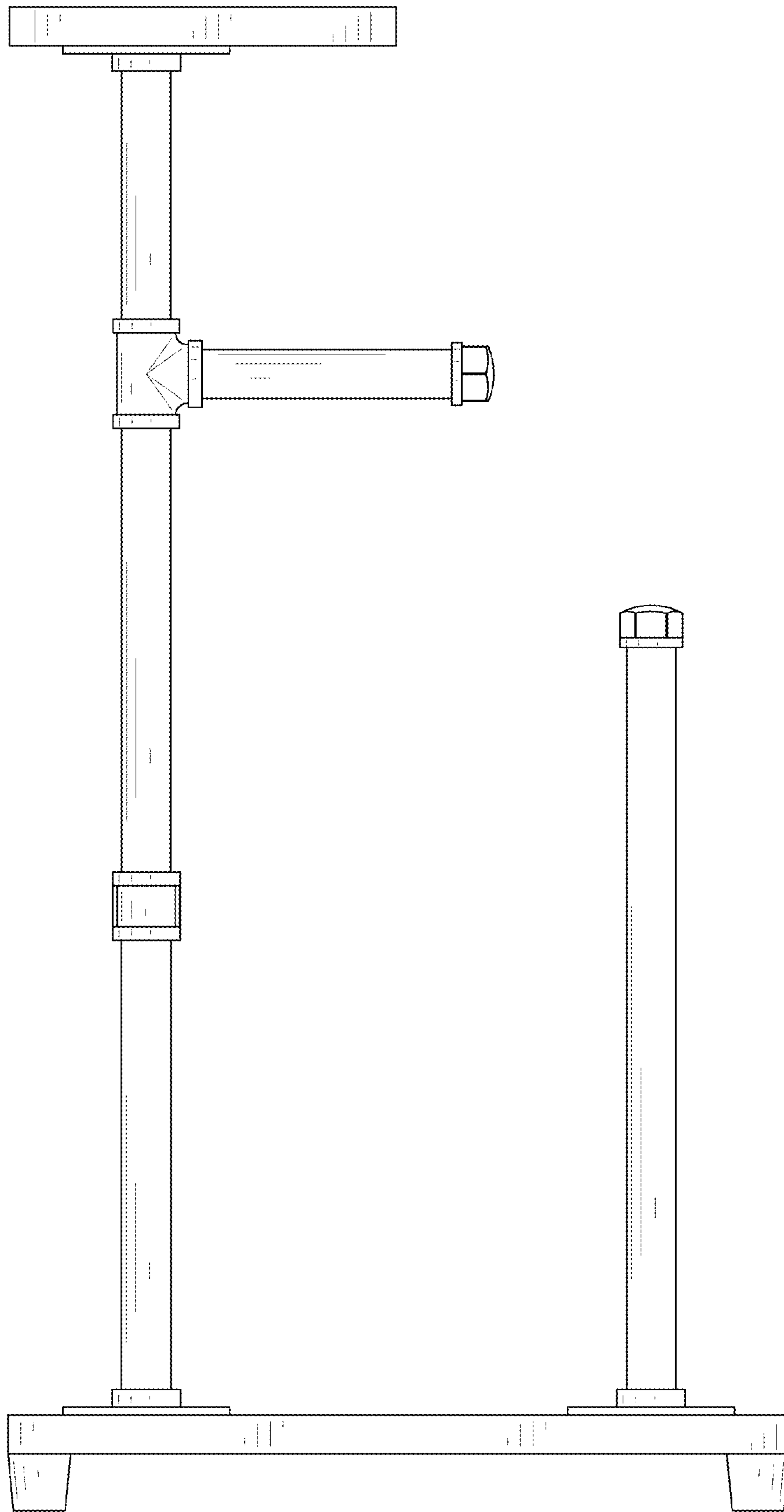


FIG. 3

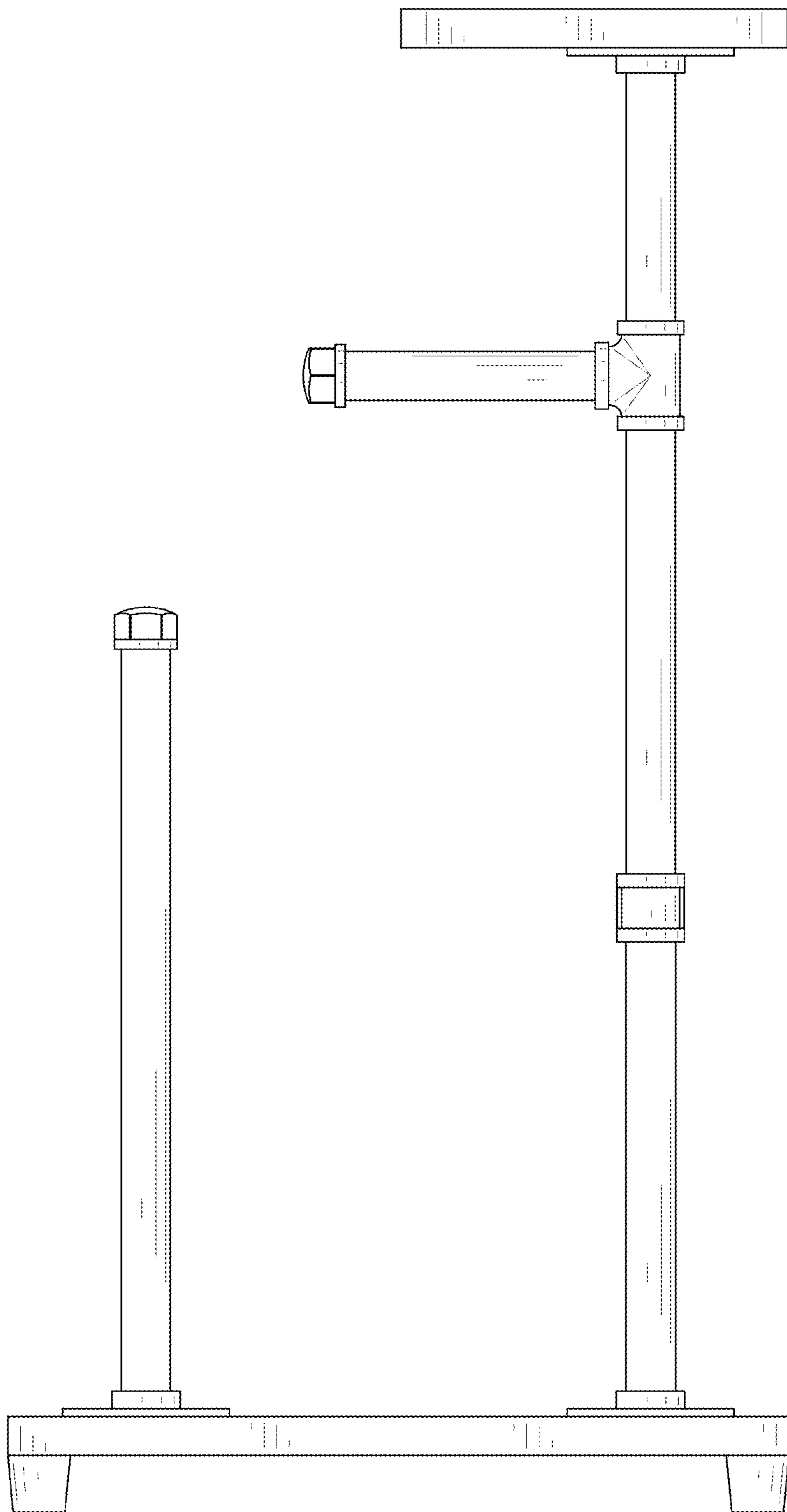


FIG. 4

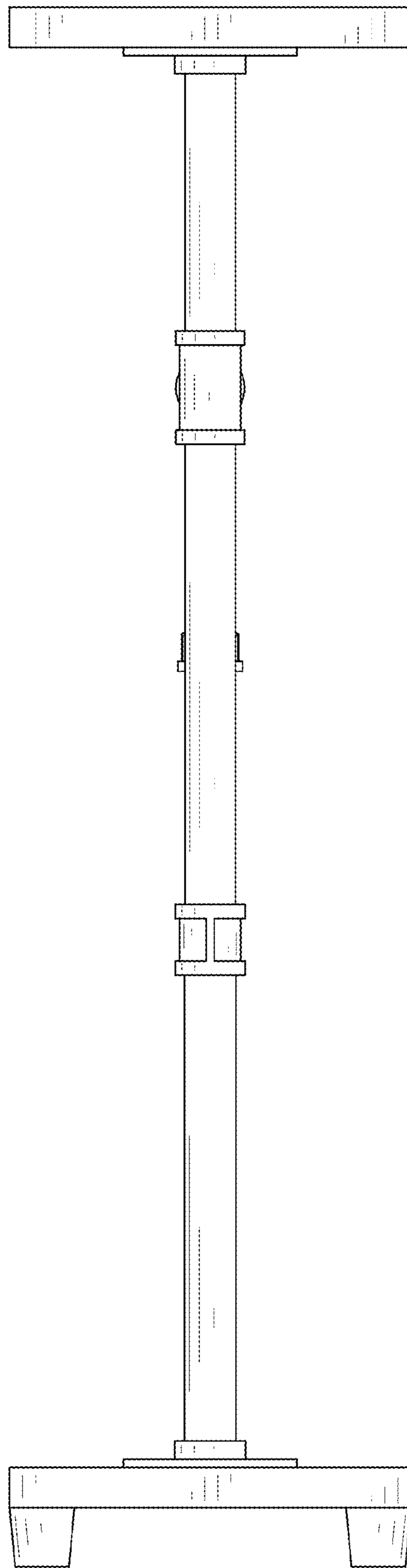


FIG. 5

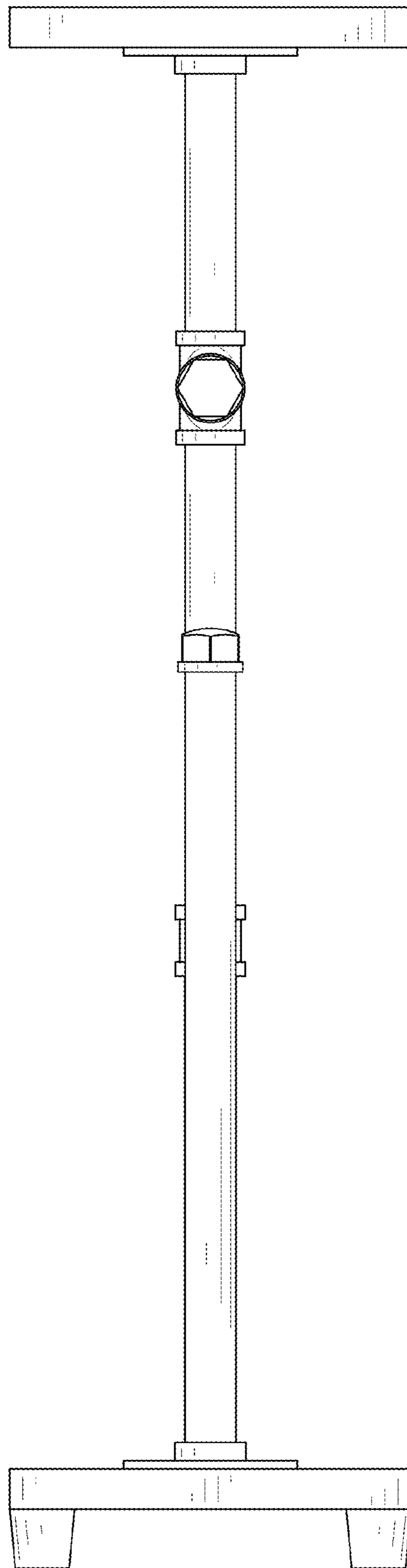


FIG. 6

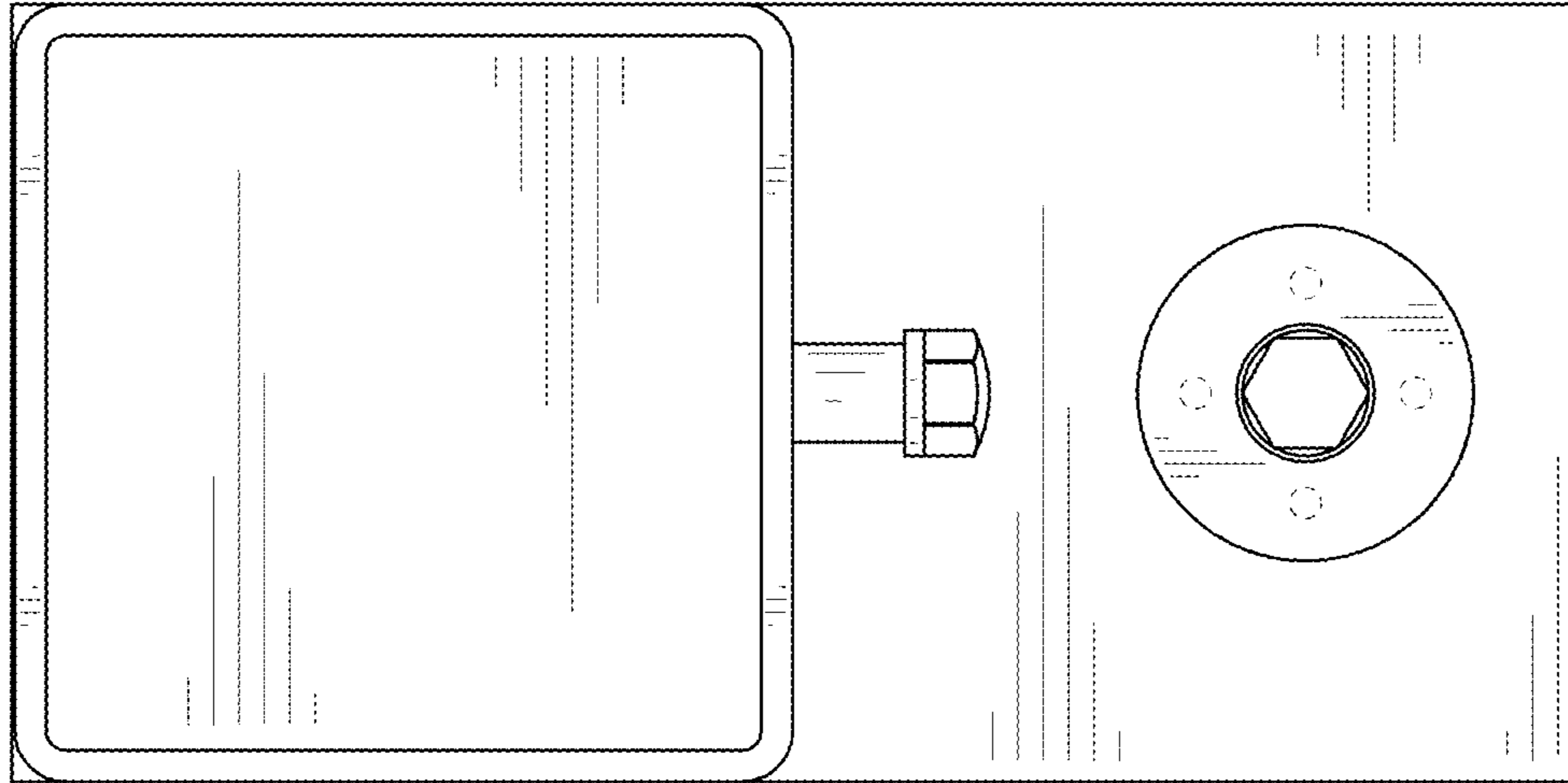


FIG. 7

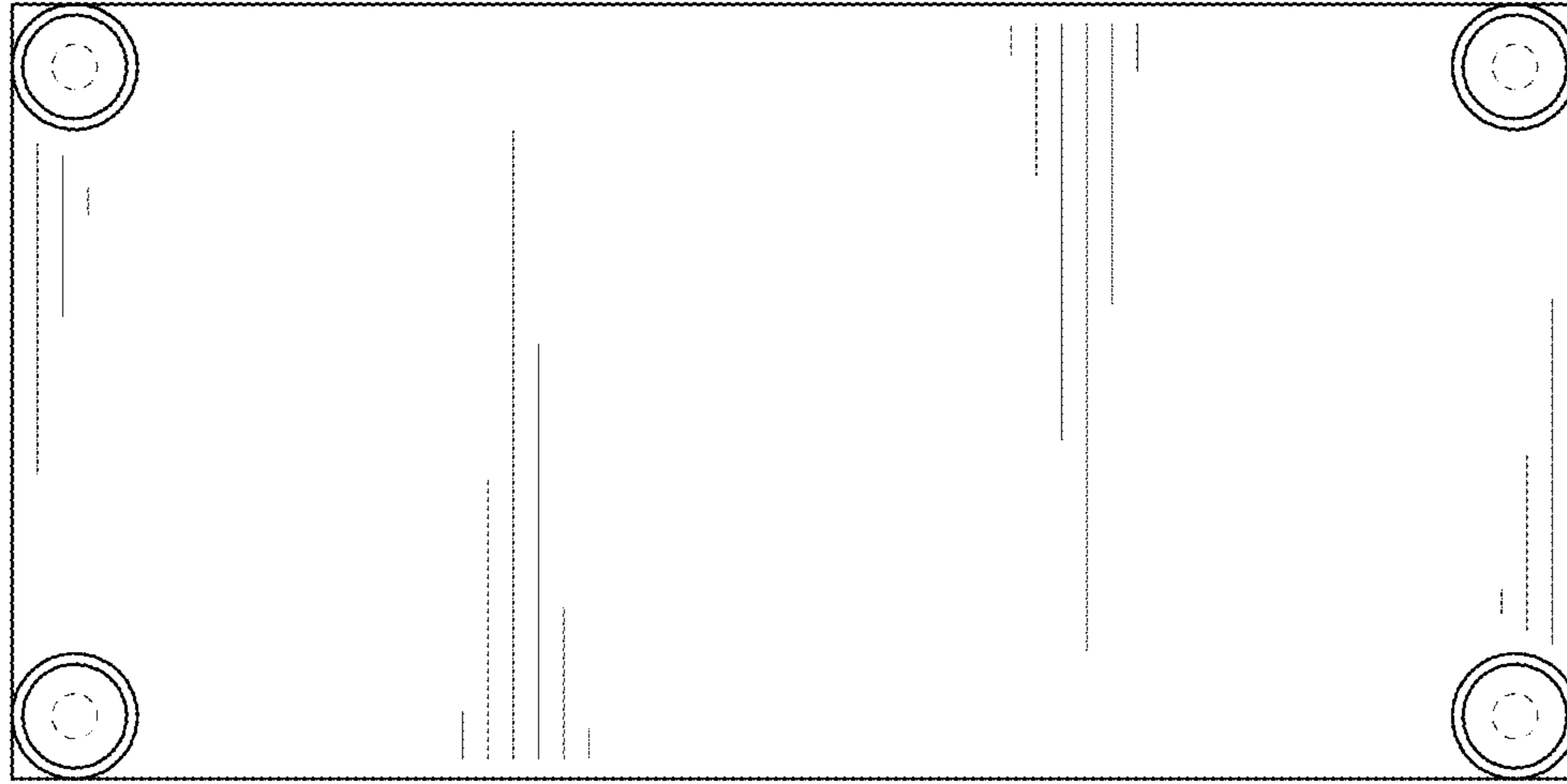


FIG. 8