



US00D918615S

(12) **United States Design Patent** (10) **Patent No.:** **US D918,615 S**  
**Orban et al.** (45) **Date of Patent:** **\*\* May 11, 2021**

(54) **PAPER DISPENSER**

(56) **References Cited**

(71) Applicant: **CASCADES CANADA ULC**,  
Montreal (CA)

U.S. PATENT DOCUMENTS

(72) Inventors: **Benoit Orban**, Saint-Lambert (CA);  
**Mélody Sue Myette**, Montreal (CA)

2,198,176 A 4/1940 Perrin  
3,010,670 A 11/1961 Jones et al.  
3,101,181 A 8/1963 Clelland et al.  
3,184,176 A 5/1965 Tucker et al.  
3,211,504 A 10/1965 Bump

(73) Assignee: **CASCADES CANADA ULC**,  
Montreal (CA)

(Continued)

(\*\*) Term: **15 Years**

FOREIGN PATENT DOCUMENTS

(21) Appl. No.: **29/659,946**

CA 2090778 A1 2/1994  
CA 2116671 C 10/1995

(22) Filed: **Aug. 14, 2018**

(Continued)

(30) **Foreign Application Priority Data**

*Primary Examiner* — Mark Booker

May 29, 2018 (CA) ..... CA 181664

(74) *Attorney, Agent, or Firm* — Marshall, Gerstein &  
Borun LLP

(51) **LOC (13) Cl.** ..... **23-02**

(57) **CLAIM**

(52) **U.S. Cl.**  
USPC ..... **D6/523**

The ornamental design for a paper dispenser, as shown and  
described.

(58) **Field of Classification Search**

**DESCRIPTION**

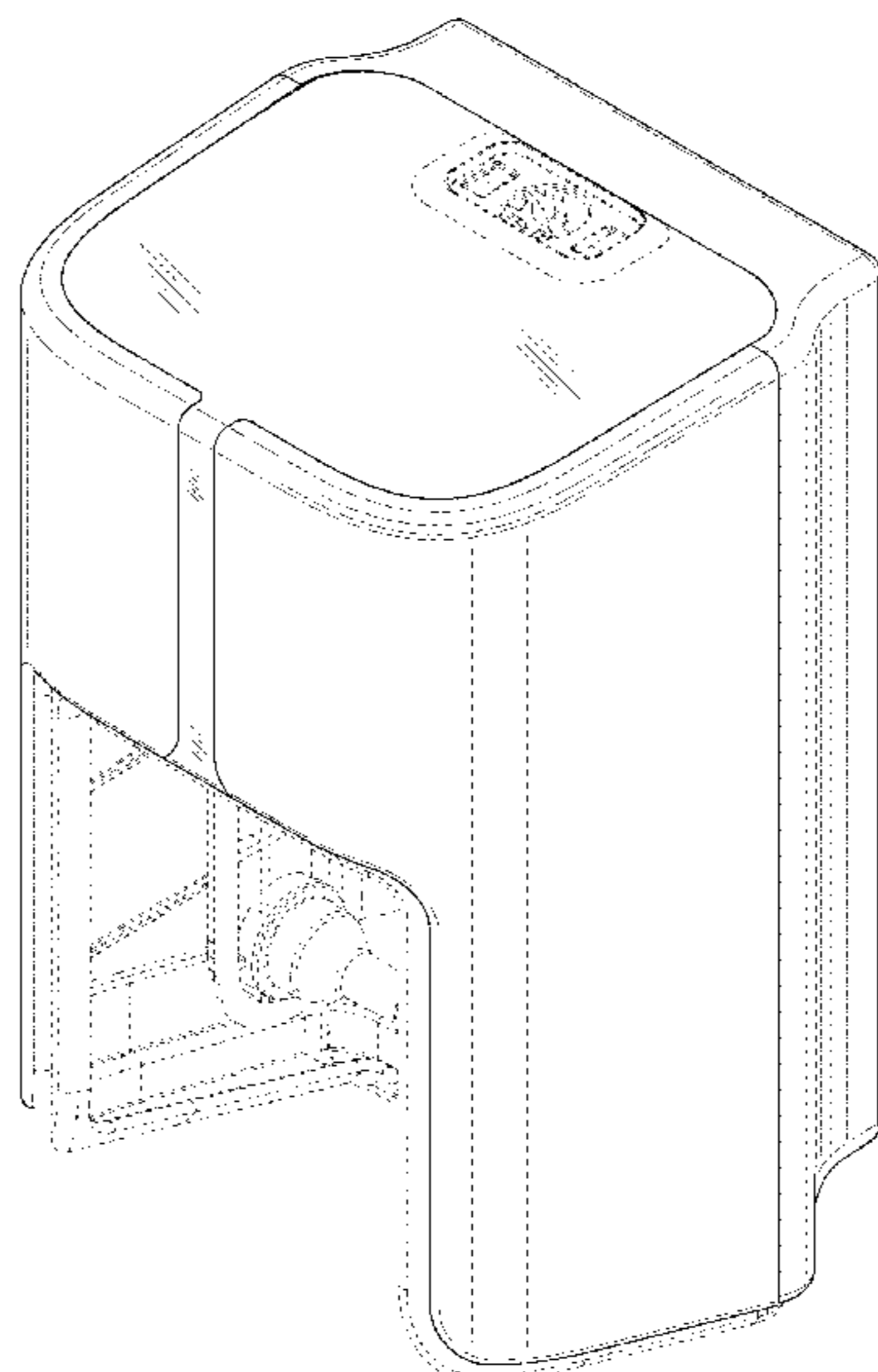
USPC ..... D15/199; D6/512, 515, 518, 520, 522,  
D6/542, 524, 543, 544, 545; 206/233,  
206/389, 401, 77.1, 581, 225, 229;  
211/45, 48, 88.04, 119.009, 85.12;  
221/26, 282, 283; 222/148, 149, 180,  
222/181.1, 631; 83/649  
CPC . A47F 1/085; A47F 7/163; A47F 7/16; B65H  
75/141; B65D 83/267; B65D 23/003;  
B65D 83/40; B65D 77/065; B65D  
35/242; B65D 85/672; B65D 83/08;  
B65D 83/05; B65D 85/04; B67D 3/0029;  
B67D 1/07; A47K 5/1217; A47K 5/02;  
A47K 10/025; A47K 10/10; A47K 10/04;  
A47K 1/09; A47K 17/003; A47K  
10/3818; A47K 2010/3233; A47K 13/242;  
A47K 10/32; A47K 2010/3226; A61C  
5/06

FIG. 1 is a perspective view of a paper dispenser;  
FIG. 2 is a front elevation view of the paper dispenser shown  
in FIG. 1;  
FIG. 3 is a rear elevation view of the paper dispenser shown  
in FIG. 1;  
FIG. 4 is left-side elevation view of the paper dispenser  
shown in FIG. 1;  
FIG. 5 is right-side elevation view of the paper dispenser  
shown in FIG. 1;  
FIG. 6 is a top plan view of the paper dispenser shown in  
FIG. 1; and,  
FIG. 7 is a bottom plan view of the paper dispenser shown  
in FIG. 1.

The broken lines shown in the figures represent portions of  
the paper dispenser that form no part of the claimed design.

See application file for complete search history.

**1 Claim, 7 Drawing Sheets**



(56)

References Cited

U.S. PATENT DOCUMENTS

3,329,366 A	7/1967	Batlas et al.	7,422,174 B2	9/2008	Elliott et al.	
3,361,504 A	1/1968	Maslow et al.	7,461,810 B2	12/2008	Goeking et al.	
3,437,388 A	4/1969	Jespersen	7,588,209 B2	9/2009	Demers	
3,484,052 A	12/1969	Clarke	7,648,097 B2	1/2010	Cattacin et al.	
3,586,252 A	6/1971	Sutton	D613,537 S *	4/2010	Pattberg .....	D6/520
3,620,466 A	11/1971	Bump	D619,838 S	7/2010	Kim	
3,677,485 A	7/1972	Berg	D620,290 S	7/2010	Herrera	
3,690,580 A	9/1972	Jespersen	7,841,558 B2	11/2010	Elliott et al.	
3,770,222 A	11/1973	Jespersen	7,861,964 B2	1/2011	Cittadino et al.	
3,948,454 A	4/1976	Bastian	7,866,593 B2	1/2011	Friesen et al.	
4,108,389 A	8/1978	Womack	7,878,444 B2	2/2011	Friesen et al.	
4,205,802 A	6/1980	Economakis	7,913,945 B2	3/2011	Friesen et al.	
4,389,026 A	6/1983	Willa et al.	7,967,235 B2	6/2011	Forman et al.	
4,410,221 A	10/1983	Vallis et al.	D641,578 S *	7/2011	Meyerhoffer .....	D6/518
4,422,584 A	12/1983	Dashnier et al.	D653,888 S	2/2012	Velazquez et al.	
4,422,585 A	12/1983	Schultz et al.	D654,740 S	2/2012	Cheng et al.	
4,432,261 A	2/1984	DeLuca	D656,766 S	4/2012	Velazquez et al.	
4,607,809 A	8/1986	Sineni et al.	D657,984 S *	4/2012	Hansen .....	D6/523
4,747,365 A	5/1988	Tusch	D660,013 S	5/2012	Tardif et al.	
4,872,601 A	10/1989	Sigmund	D666,035 S	8/2012	Velazquez et al.	
5,172,840 A	12/1992	Bloch et al.	D667,640 S	9/2012	Bosse et al.	
5,265,816 A	11/1993	Collins	8,256,644 B2	9/2012	Orgna	
5,271,574 A	12/1993	Formon et al.	D673,778 S	1/2013	Bosse et al.	
5,288,032 A	2/1994	Boone et al.	D674,633 S	1/2013	Green et al.	
5,310,129 A	5/1994	Whittington et al.	D676,248 S	2/2013	Bosse et al.	
5,449,127 A	9/1995	Davis	D677,085 S	3/2013	Velazquez et al.	
5,495,997 A	3/1996	Moody	D681,987 S	5/2013	Cittadino et al.	
5,628,474 A	5/1997	Krueger et al.	8,439,293 B2	5/2013	Hagleitner	
5,645,244 A	7/1997	Moody	8,511,600 B2	8/2013	Formon et al.	
5,669,576 A	9/1997	Moody	D688,895 S	9/2013	Sun Ting Kung et al.	
5,690,299 A	11/1997	Perrin et al.	D708,865 S	7/2014	Sun Ting Kung et al.	
5,762,286 A	6/1998	Schutz	D711,663 S	8/2014	Walters	
5,762,287 A	6/1998	Schutz	D727,058 S	4/2015	Morand	
5,813,624 A	9/1998	Grasso et al.	D727,652 S	4/2015	Sun Ting Kung et al.	
5,833,169 A	11/1998	Morand	D740,587 S	10/2015	Sun Ting Kung et al.	
5,868,342 A	2/1999	Moody et al.	9,192,268 B2	11/2015	Denis et al.	
5,873,542 A	2/1999	Perrin et al.	9,241,601 B2	1/2016	Case et al.	
5,954,256 A	9/1999	Niada	D754,453 S	4/2016	Mrvica	
6,027,002 A	2/2000	Granger	D756,683 S	5/2016	Morand	
6,036,134 A	3/2000	Moody	9,326,648 B2	5/2016	Trampolski	
6,089,499 A	7/2000	Robinson	9,370,283 B2	6/2016	Fellhoelter	
6,145,779 A	11/2000	Johnson et al.	D761,585 S	7/2016	Roche et al.	
6,202,956 B1	3/2001	Grasso et al.	D766,612 S	9/2016	Roche et al.	
D440,088 S *	4/2001	Leines .....	D767,297 S	9/2016	Madsen et al.	
D441,578 S *	5/2001	Andersson .....	D773,834 S	12/2016	Croteau et al.	
D447,372 S	9/2001	Fisscher	D775,849 S	1/2017	Brickl	
D447,373 S	9/2001	Fisscher	D781,067 S	3/2017	Cross et al.	
D447,657 S	9/2001	Fisscher	D782,830 S	4/2017	Enderby	
D447,897 S	9/2001	Fisscher	D782,842 S	4/2017	Morand et al.	
D447,898 S	9/2001	Fisscher	9,648,995 B2	5/2017	Elliott et al.	
D448,222 S	9/2001	Fisscher	D790,227 S	6/2017	Tambellini	
6,296,331 B1	10/2001	Tramontina	D791,498 S	7/2017	Brickl	
6,328,255 B1	12/2001	Moody et al.	D793,117 S	8/2017	Hagleitner	
6,364,245 B1	4/2002	Paal et al.	D794,341 S	8/2017	Enderby	
6,382,553 B1	5/2002	Lewis et al.	D796,223 S	9/2017	Madsen	
6,386,479 B1	5/2002	Lewis et al.	D796,866 S	9/2017	Johnson	
6,508,432 B2	1/2003	Krivulin	D796,867 S	9/2017	Johnson	
D472,398 S	4/2003	Sparkowski	D796,868 S	9/2017	Johnson	
6,592,068 B2	7/2003	Taylor et al.	D798,629 S	10/2017	Sinclair et al.	
D478,737 S	8/2003	Sparkowski	D799,235 S	10/2017	Madsen	
6,679,409 B2	1/2004	Petterson	D799,236 S	10/2017	Madsen	
6,752,349 B2	6/2004	Moody et al.	D799,692 S	10/2017	Buning-Weddewer	
6,766,976 B2	7/2004	Salaker et al.	D807,076 S *	1/2018	Kapiloff .....	D6/520
D504,041 S	4/2005	Dudley et al.	D886,488 S *	6/2020	Orban .....	D6/520
7,014,140 B2	3/2006	Elliott et al.	D888,458 S *	6/2020	Orban .....	D6/518
D522,781 S	6/2006	Wieser et al.	2002/0033405 A1	3/2002	Gergek	
D525,063 S	7/2006	Woods et al.	2002/0096595 A1	7/2002	Denton	
7,083,138 B2	8/2006	Elliott et al.	2002/0130215 A1	9/2002	Krivulin	
7,114,676 B2	10/2006	Elliott et al.	2004/0004151 A1	1/2004	Kapiloff et al.	
7,185,841 B2	3/2007	Kaufmann	2004/0004153 A1	1/2004	Kapiloff et al.	
D547,581 S	7/2007	Cittadino et al.	2004/0089762 A1	5/2004	Salaker et al.	
D551,474 S	9/2007	Cittadino et al.	2005/0167543 A1	8/2005	Elliott et al.	
D551,475 S	9/2007	Cittadino et al.	2006/0038054 A1	2/2006	Tramontina et al.	
7,374,128 B2	5/2008	Hendrix et al.	2006/0279020 A1	12/2006	Elliott et al.	
D572,058 S	7/2008	Cittadino et al.	2007/0205317 A1	9/2007	Miller	
			2007/0290092 A1	12/2007	Won	
			2008/0156926 A1	7/2008	Cattacin et al.	
			2008/0245922 A1	10/2008	Fellhoelter	
			2009/0065627 A1	3/2009	Goeking et al.	

(56)

References Cited

U.S. PATENT DOCUMENTS

2009/0072072 A1 3/2009 Elliott et al.  
 2009/0266928 A1 10/2009 Friesen et al.  
 2009/0266929 A1 10/2009 Friesen et al.  
 2009/0266930 A1 10/2009 Friesen et al.  
 2010/0206979 A1 8/2010 Collins  
 2010/0243660 A1 9/2010 Manasas  
 2011/0215187 A1 9/2011 Owurowa  
 2012/0256036 A1 10/2012 Osborne  
 2013/0075416 A1 3/2013 Boyce  
 2013/0270978 A1 10/2013 Black  
 2014/0076916 A1 3/2014 Boyce  
 2014/0103133 A1 4/2014 Muderlak et al.  
 2015/0076277 A1 3/2015 Elliott et al.  
 2015/0157177 A1 6/2015 Carper et al.  
 2016/0227969 A1 8/2016 Morris  
 2016/0256018 A1 9/2016 Viessman et al.  
 2017/0112336 A1 4/2017 Ruthven et al.  
 2017/0188760 A1 7/2017 Henson et al.  
 2017/0215659 A1 8/2017 Jefferson  
 2017/0251890 A1 9/2017 Groover  
 2017/0290471 A1 10/2017 Borke et al.  
 2017/0290472 A1 10/2017 Borke et al.  
 2017/0290473 A1 10/2017 Borke et al.

FOREIGN PATENT DOCUMENTS

CA 2192057 A1 6/1998  
 CA 2239526 A1 6/1999  
 CA 2171066 C 8/1999  
 CA 2300036 A1 9/2000  
 CA 2190806 C 10/2000  
 CA 2383206 A1 3/2001  
 CA 2326872 A1 6/2001  
 CA 2340853 A1 9/2001  
 CA 2305110 A1 10/2001

CA 2199092 C 11/2001  
 CA 2359128 A1 4/2003  
 CA 2381648 A1 4/2003  
 CA 2414887 A1 6/2003  
 CA 2465343 A1 6/2003  
 CA 2430462 A1 1/2004  
 CA 2217841 C 6/2005  
 CA 2494802 A1 7/2005  
 CA 2495163 A1 7/2005  
 CA 2526662 A1 5/2006  
 CA 2622388 A1 3/2007  
 CA 2577225 A1 9/2007  
 CA 2615407 A1 6/2008  
 CA 2756903 A1 12/2011  
 CA 2929466 A1 5/2015  
 CA 2978227 A1 10/2016  
 WO WO-1993004965 A1 3/1993  
 WO WO-1997013440 A1 4/1997  
 WO WO-1998011811 A1 3/1998  
 WO WO-2002024044 A2 3/2002  
 WO WO-2002053004 A1 7/2002  
 WO WO-2002074148 A1 9/2002  
 WO WO-2003047410 A1 6/2003  
 WO WO-2006050748 A1 5/2006  
 WO WO-2007035139 A1 3/2007  
 WO WO-2008042963 A2 4/2008  
 WO WO-2009135235 A2 11/2009  
 WO WO-2011154625 A1 12/2011  
 WO WO-2014058362 A1 4/2014  
 WO WO-2014098672 A1 6/2014  
 WO WO-2014200624 A1 12/2014  
 WO WO-2015066644 A2 5/2015  
 WO WO-2016166157 A1 10/2016  
 WO WO-2017084689 A1 5/2017  
 WO WO-2017105464 A1 6/2017  
 WO WO-2017178605 A1 10/2017  
 WO WO-2017180476 A1 10/2017

\* cited by examiner

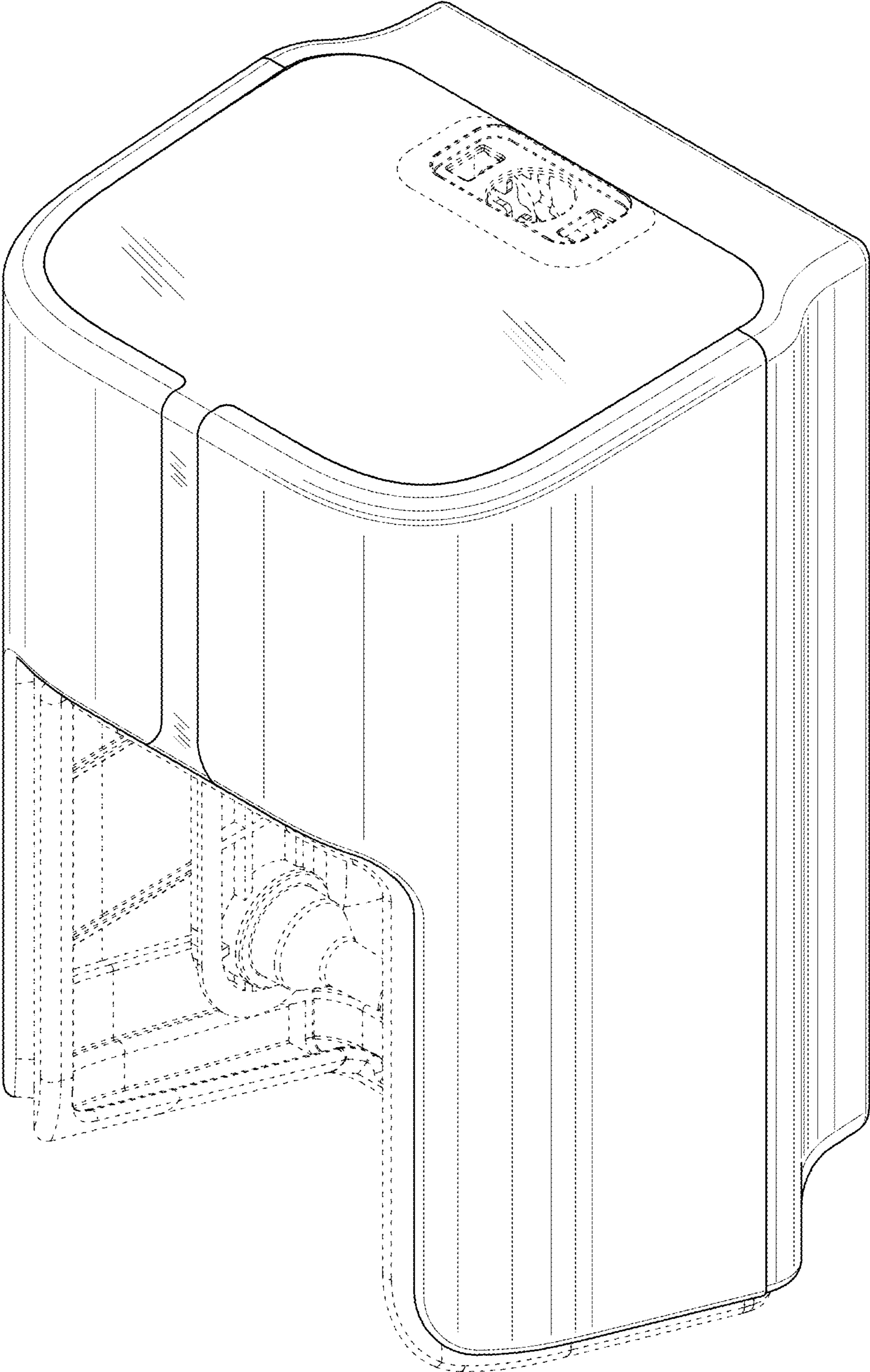


FIG. 1

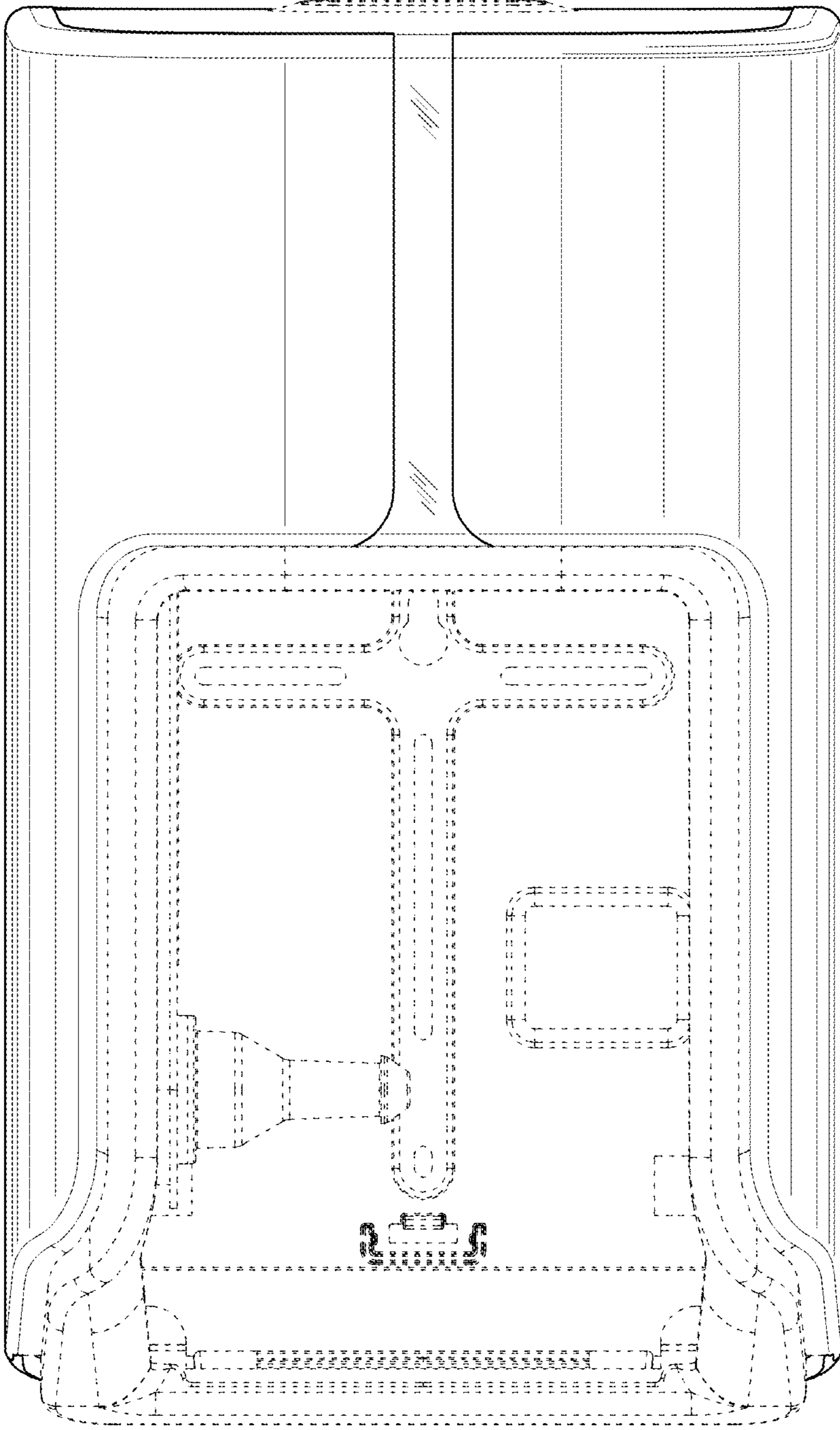


FIG. 2

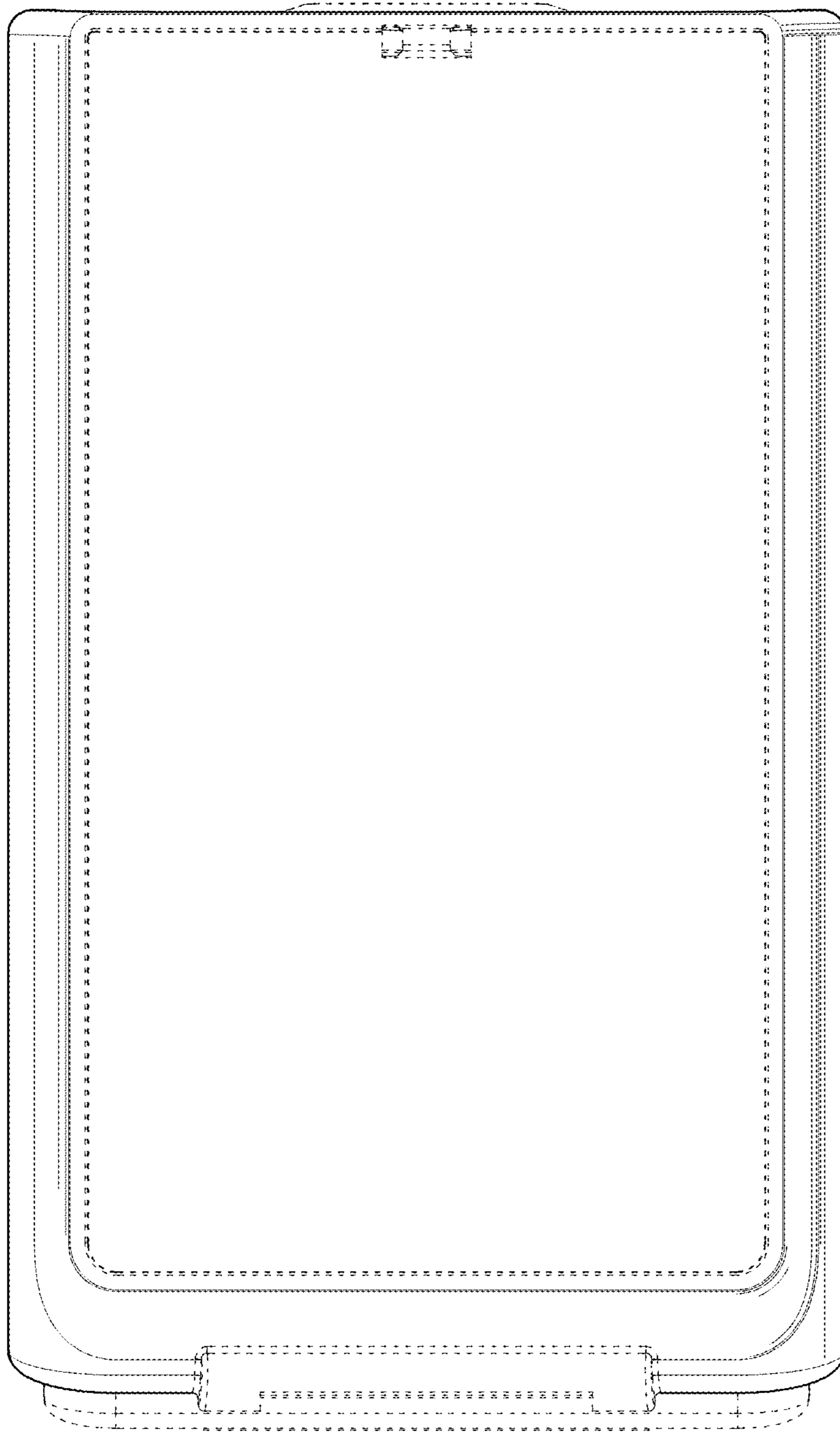


FIG. 3

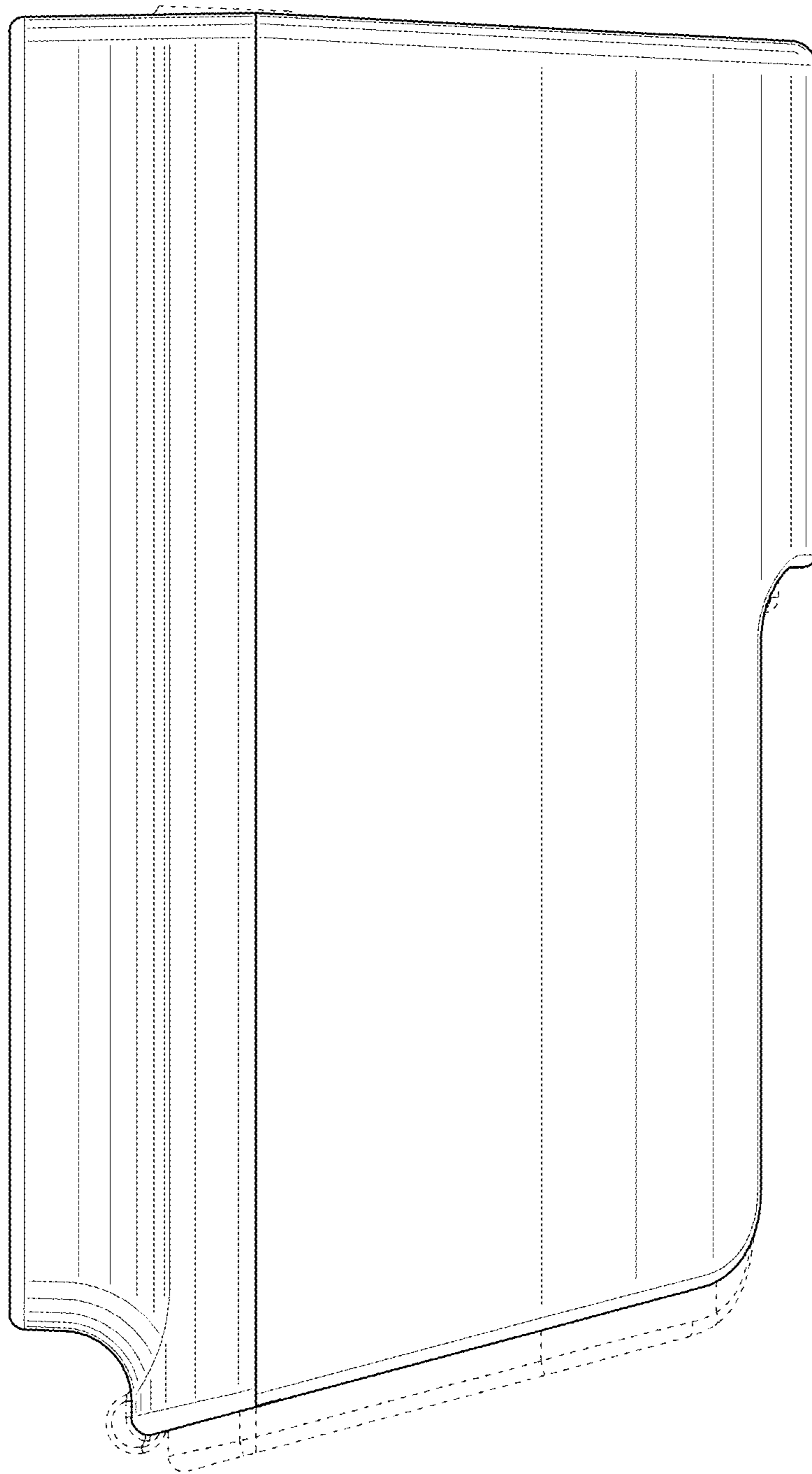


FIG. 4

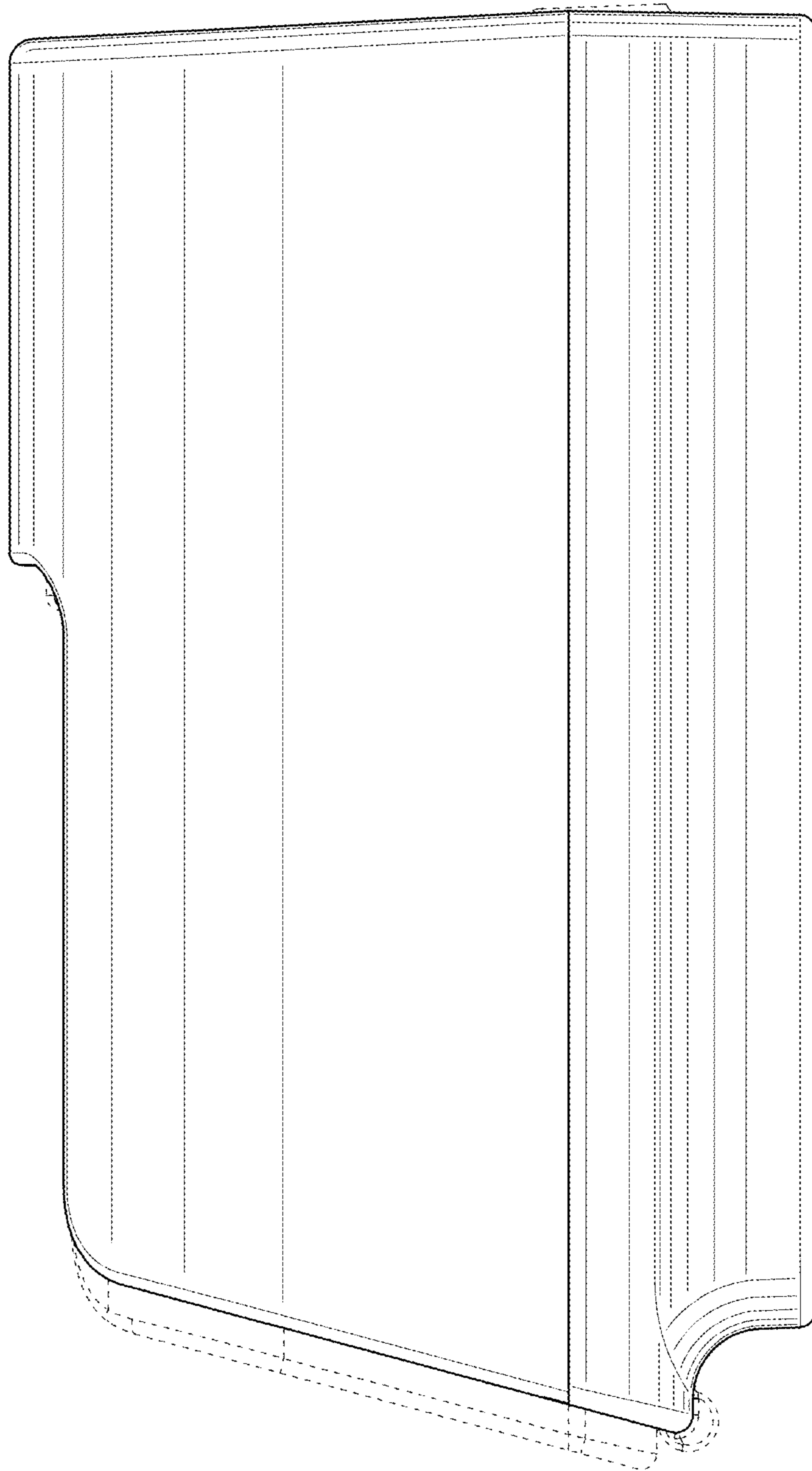


FIG. 5



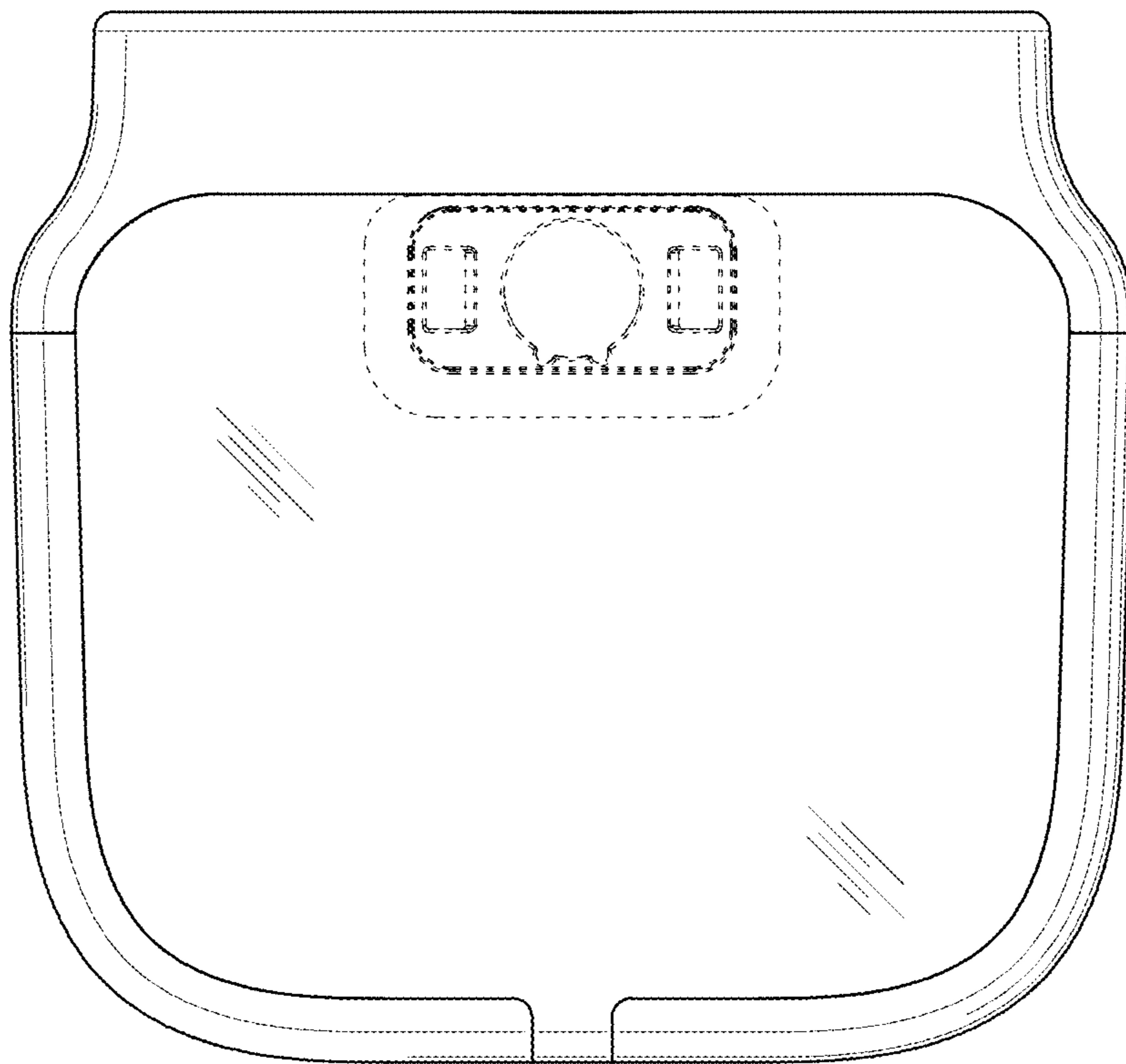


FIG. 6

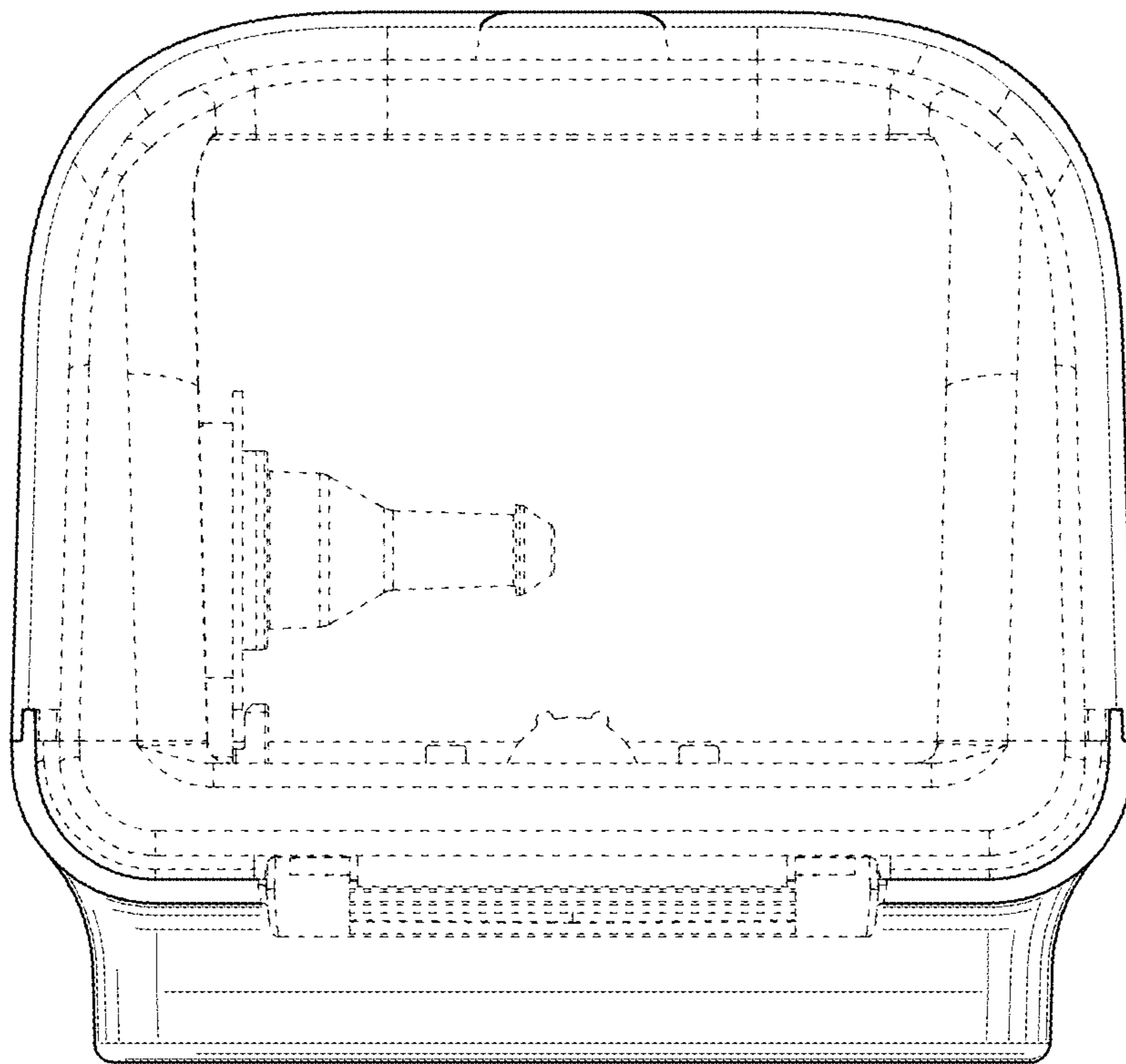


FIG. 7