



US00D918612S

(12) **United States Design Patent** (10) **Patent No.:** **US D918,612 S**  
**Mezger** (45) **Date of Patent:** **\*\* May 11, 2021**

(54) **CHAIR**

22/986; B60R 22/914; B60R 22/995;  
A47B 83/02; A47B 83/023; A47B  
83/024; A47B 85/04

(71) Applicant: **Boss Design Limited**, West Midlands  
(GB)

See application file for complete search history.

(72) Inventor: **Wolfgang C. R. Mezger**, Goeppingen,  
DE (US)

(56) **References Cited**

(73) Assignee: **Boss Design Limited**, West Midlands  
(GB)

U.S. PATENT DOCUMENTS

(\*\*) Term: **15 Years**

D320,507 S *	10/1991	Shields .....	D6/366
D347,333 S *	5/1994	Von Klier .....	D6/366
D426,973 S *	6/2000	Risdall .....	D6/375
D543,388 S *	5/2007	Machael .....	D6/366
D550,467 S *	9/2007	Koepke .....	D6/366
D642,393 S *	8/2011	Giugiaro .....	D6/366
D649,796 S *	12/2011	Lievore .....	D6/366
D715,570 S *	10/2014	Laub .....	D6/375
D715,571 S *	10/2014	Laub .....	D6/375
D718,949 S *	12/2014	Meda .....	D6/366

(21) Appl. No.: **29/711,488**

(22) Filed: **Oct. 31, 2019**

(Continued)

(30) **Foreign Application Priority Data**

May 24, 2019 (EM) ..... 006512570

*Primary Examiner* — Kevin K Rudzinski

(51) **LOC (13) Cl.** ..... **06-01**

*Assistant Examiner* — Paul D Bohannon

(52) **U.S. Cl.**

(74) *Attorney, Agent, or Firm* — Levenfeld Pearlstein,  
LLC

USPC ..... **D6/375**

(58) **Field of Classification Search**

(57) **CLAIM**

USPC ..... D6/333, 334, 341, 348, 349, 350, 352,  
D6/353, 360, 364, 369, 370, 371, 373,  
D6/374, 375, 376, 377, 379, 380, 390,  
D6/677, 692, 700, 708, 708.16, 716, 366;  
D16/237; D21/412, 419, 521

The ornamental design for a chair, as shown and described.

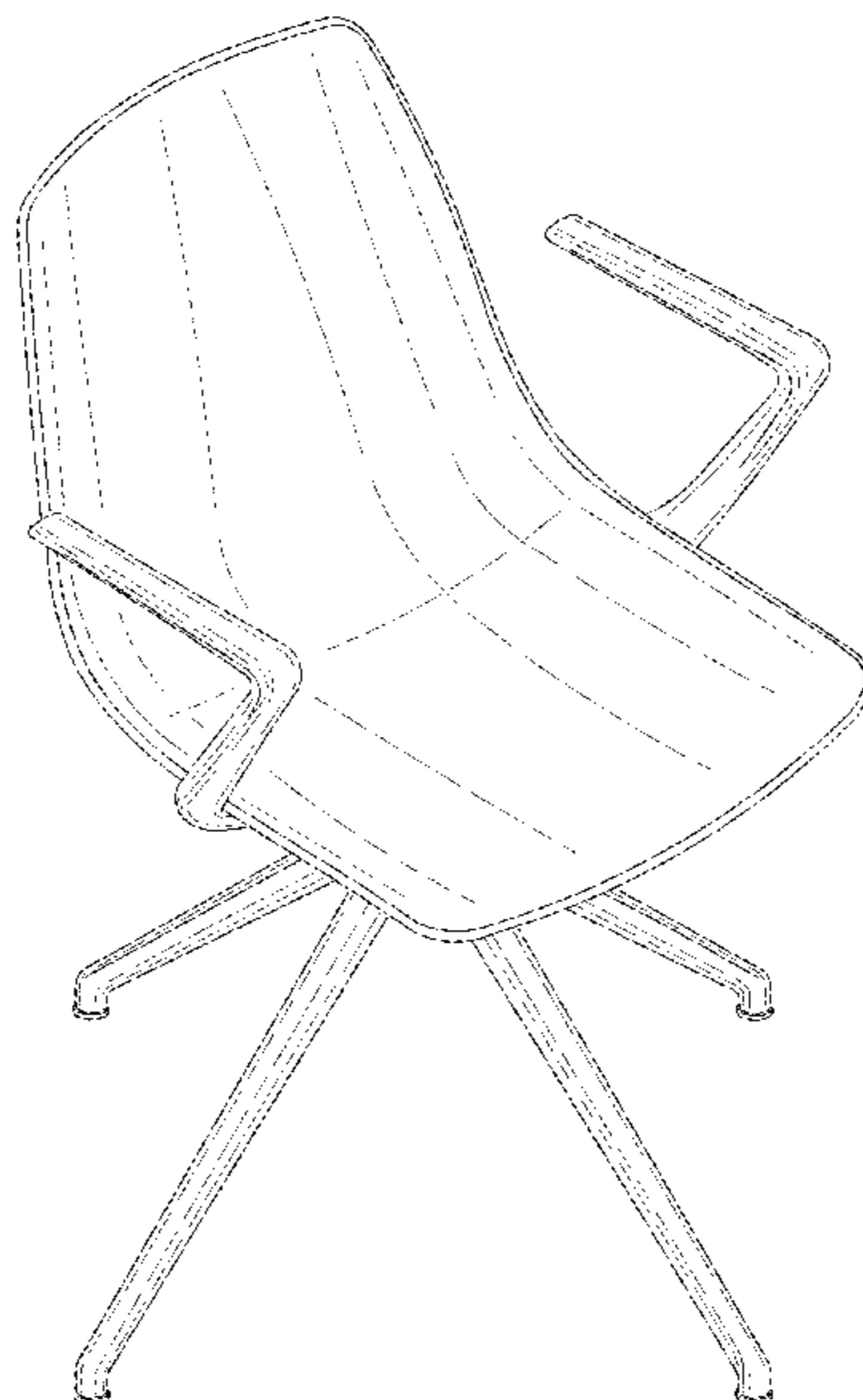
CPC ..... A47C 1/124; A47C 3/34; A47C 4/028;  
A47C 4/02; A47C 5/12; A47C 5/125;  
A47C 7/506; A47C 9/007; A47C 13/005;  
A47C 13/023; A47C 31/113; A47C 3/00;  
A47C 4/08; A47C 4/00; A47C 7/70;  
A47C 7/405; A47C 13/00; B60R 2/0284;  
B60R 2/062; B60R 22/001; B60R 22/24;  
B60R 22/28; B60R 22/58; B60R 22/64;  
B60R 22/68; B60R 22/80; B60R 22/99;  
B60R 22/245; B60R 22/643; B60R  
22/646; B60R 22/665; B60R 22/686;  
B60R 22/688; B60R 22/803; B60R

**DESCRIPTION**

FIG. 1 is a top, front, left-hand side perspective view of a chair embodying the principles of my new design; FIG. 2 is a top, rear left-hand side perspective view thereof; FIG. 3 is a front view thereof; FIG. 4 is a rear view thereof; FIG. 5 is a side view thereof as seen from the left-hand side of FIG. 3, the opposite side being a mirror image thereof; FIG. 6 is a top view thereof; and, FIG. 7 is a bottom view thereof.

The broken lines shown in the drawings are for the purpose of illustrating portions of the article and form no part of the claimed design.

**1 Claim, 7 Drawing Sheets**



(56)

**References Cited**

U.S. PATENT DOCUMENTS

D748,927 S \* 2/2016 Feichtner ..... D6/375  
D875,454 S \* 2/2020 Walker ..... D6/716.2

\* cited by examiner



FIG. 1



FIG. 2

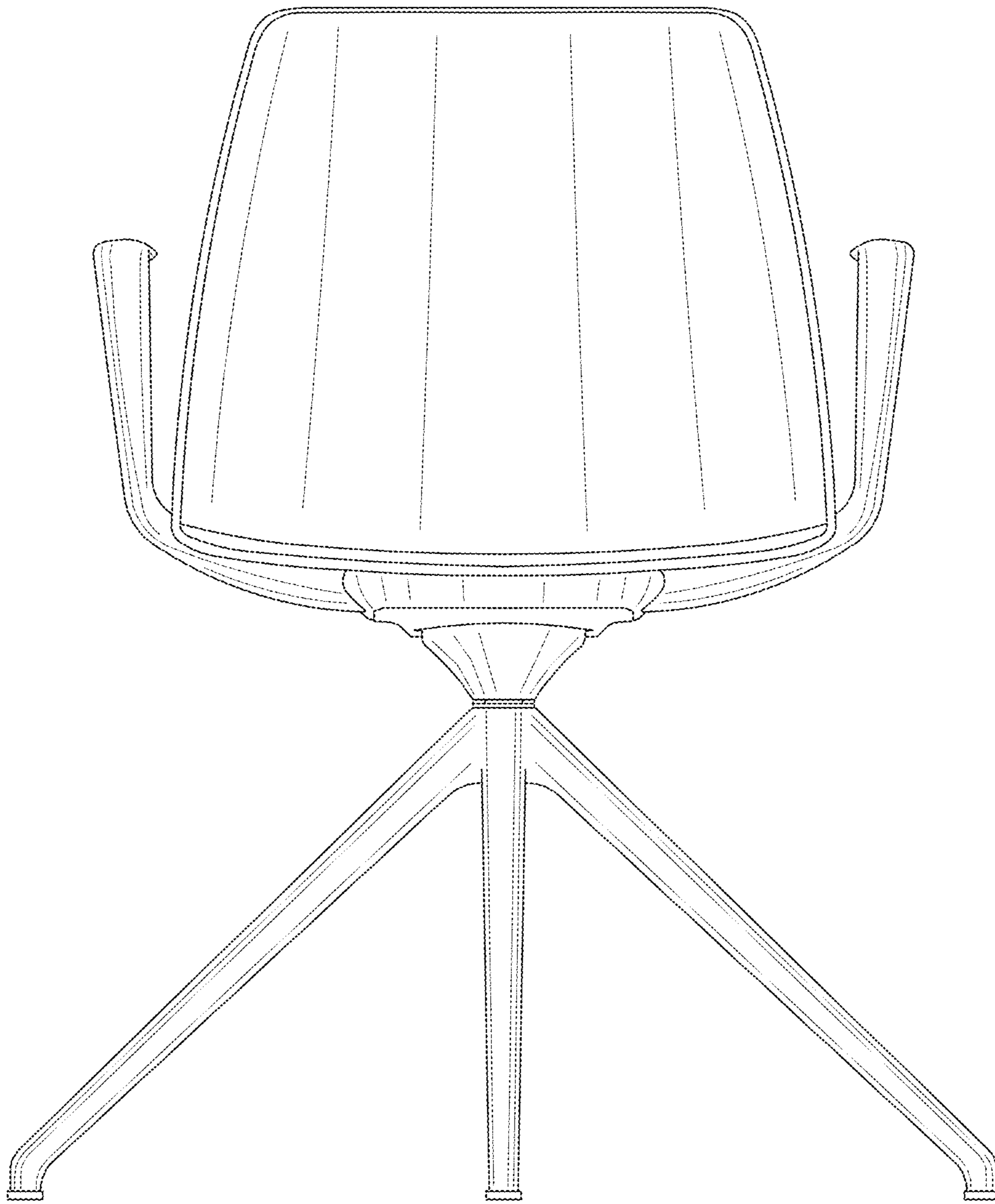


FIG. 3

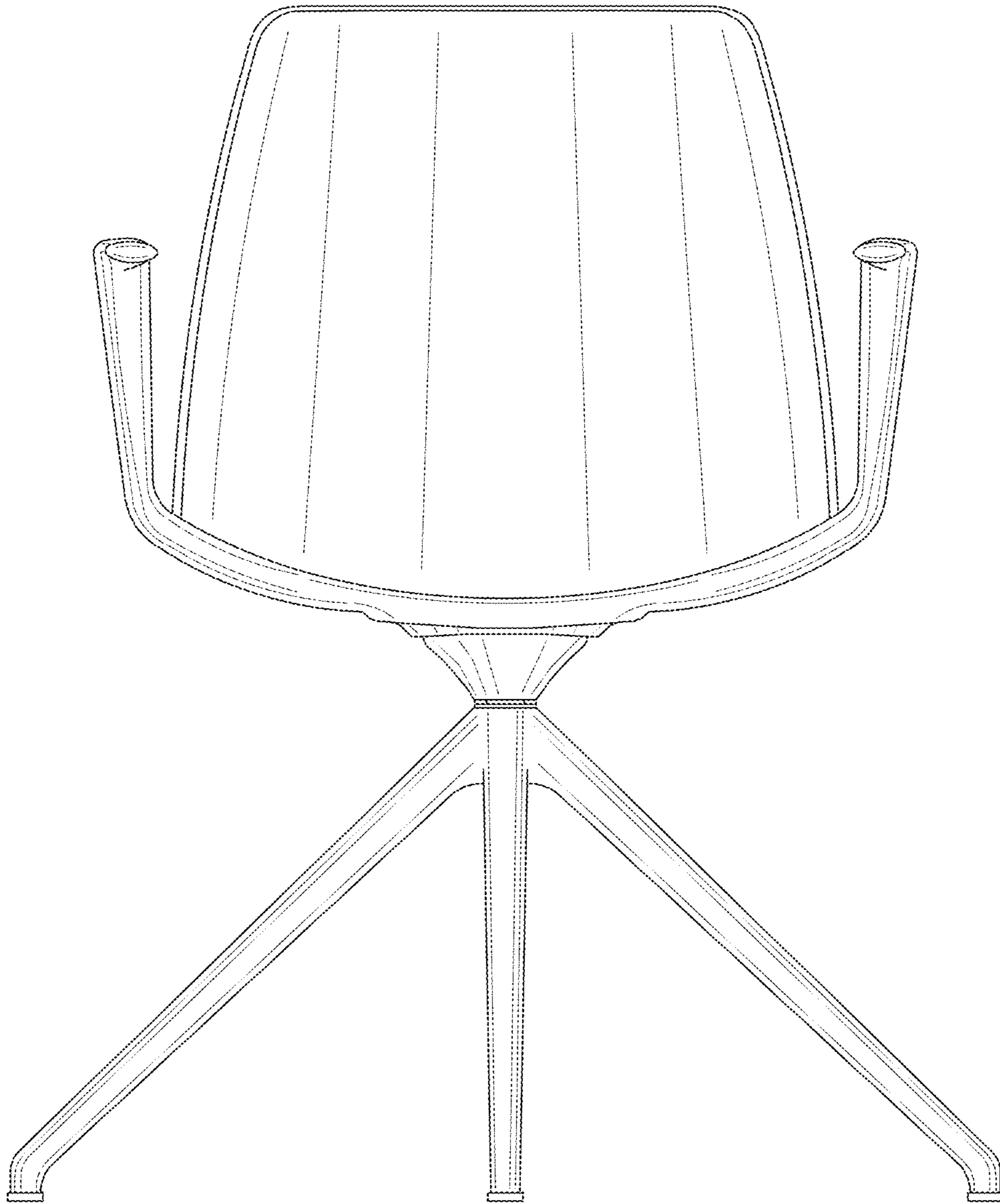


FIG. 4

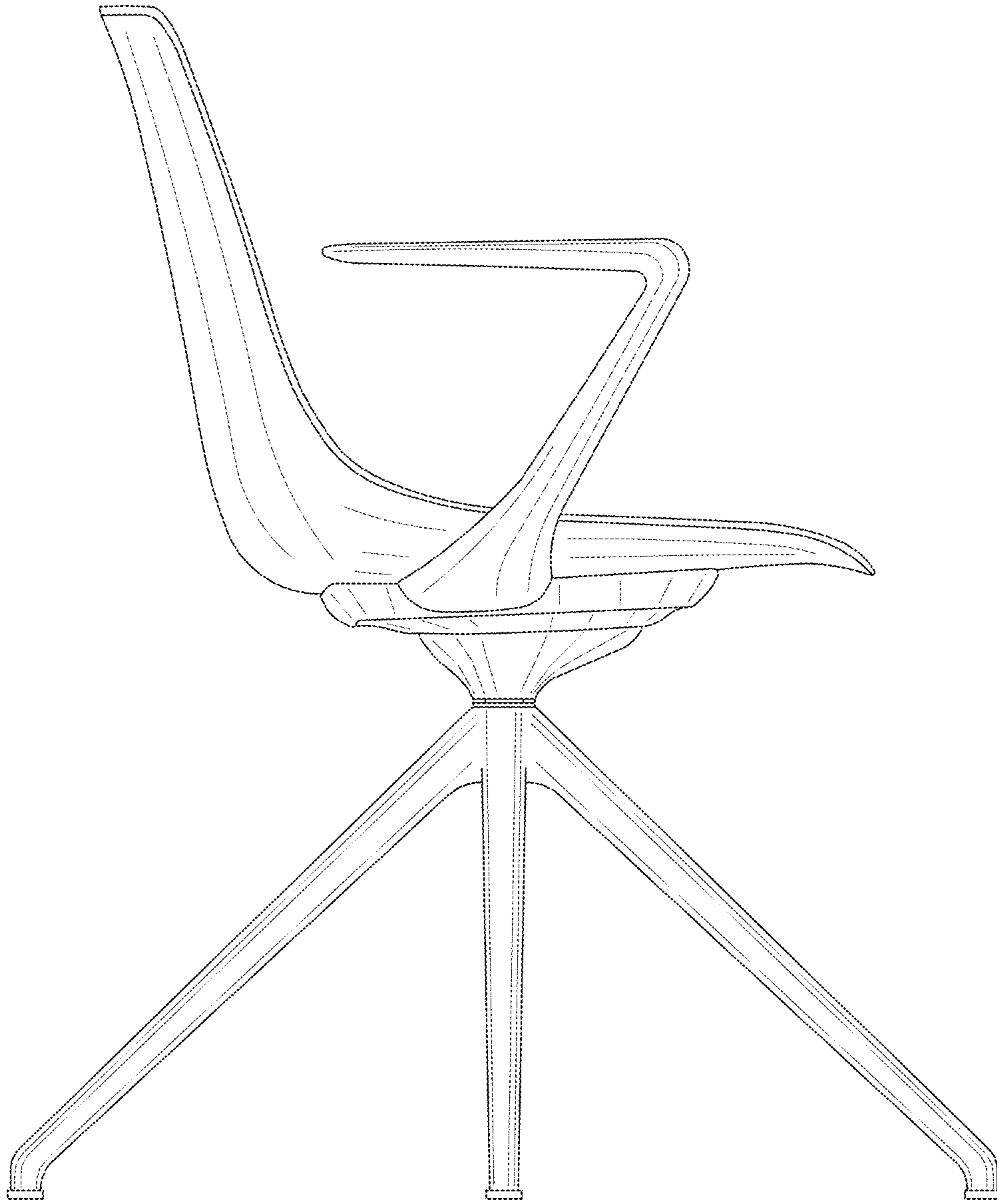


FIG. 5

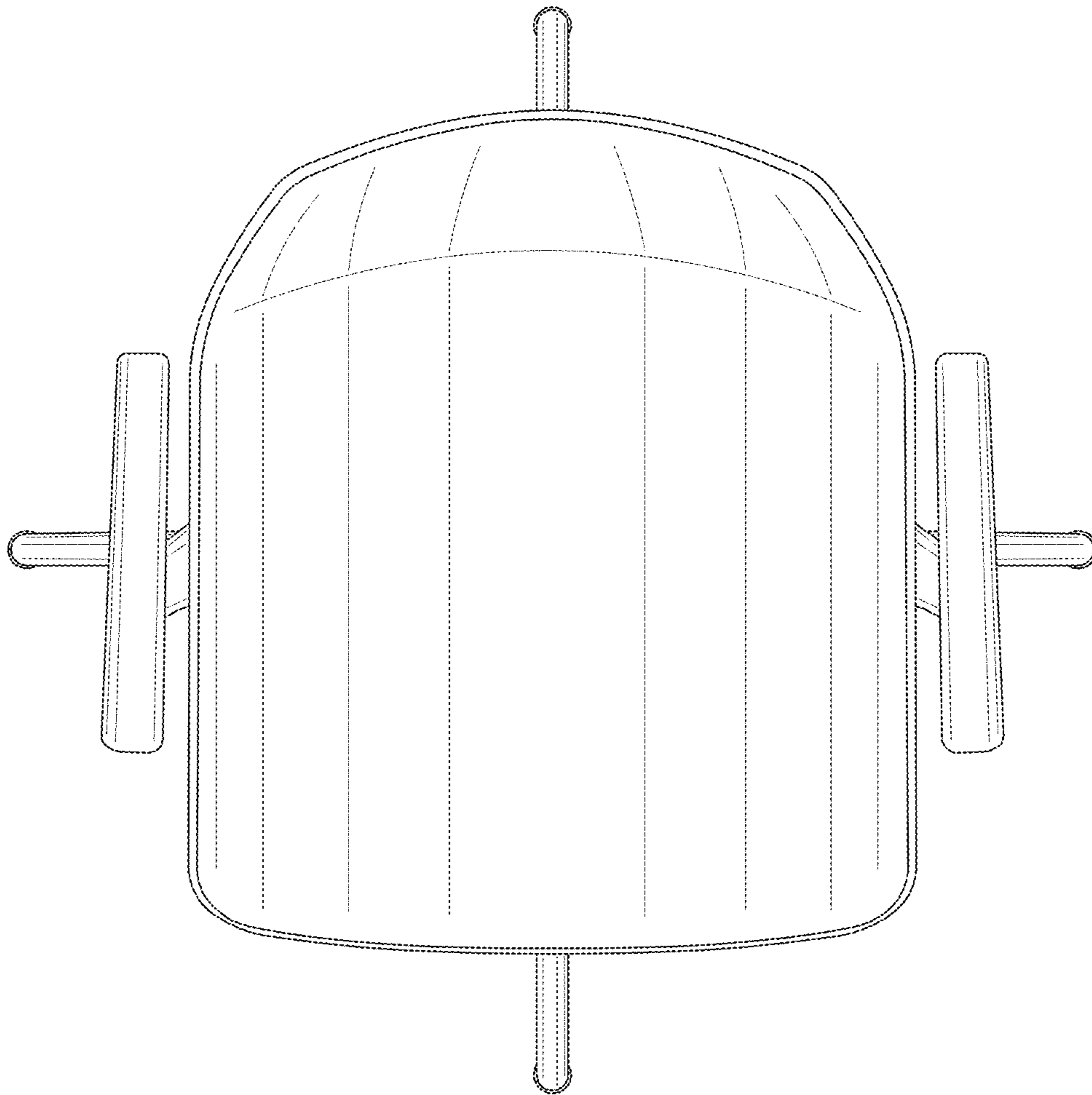


FIG. 6



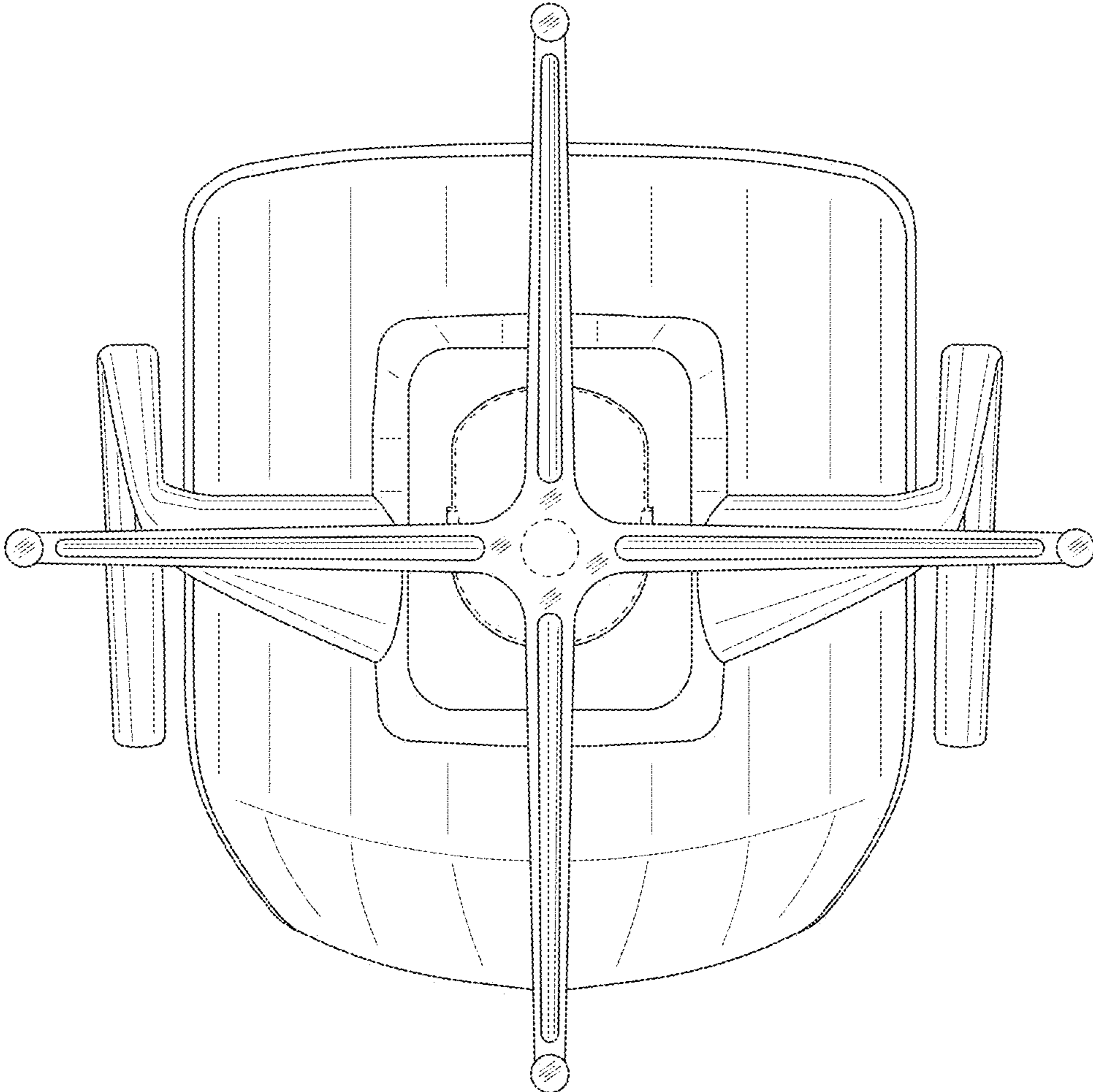


FIG. 7