



US00D918610S

(12) **United States Design Patent** (10) **Patent No.:** **US D918,610 S**
Bonorand et al. (45) **Date of Patent:** **** *May 11, 2021**

(54) **BUS SEAT**

(71) Applicant: **GRAMMER AG**, Amberg (DE)

(72) Inventors: **Cristoffel Bonorand**, Zurich (CH);
Lukas Waegli, Dietikon (CH);
Christian Harbeke, Zurich (CH)

(73) Assignee: **GRAMMER AG**, Amberg (DE)

(*) Notice: This patent is subject to a terminal disclaimer.

(**) Term: **15 Years**

(21) Appl. No.: **29/680,304**

(22) Filed: **Feb. 14, 2019**

(30) **Foreign Application Priority Data**

Aug. 22, 2018 (EP) 005616984-0003

(51) **LOC (13) Cl.** **06-01**

(52) **U.S. Cl.**
USPC **D6/356**

(58) **Field of Classification Search**

USPC D6/334, 356, 360, 369, 370, 374, 376,
D6/716, 716.1, 716.2, 716.3, 716.4,
D6/716.5, 716.7, 366, 335, 342, 364, 375;
D21/521, 533, 548; D12/133; D14/172
CPC A61H 2201/0149; B60N 2/06; B60N 2/20;
B60N 2/22; B60N 2/58; B60N 2/68;
B60N 2/80; B60N 2/643; B60N 2/888;
B60N 2/859; B60N 2/1615; B60N
2/7035; B60N 2/42745; B60N 2002/0272;
B60N 2205/35; B60N 2/44; B60N 2/56;
B60N 2/206; B60N 2/366; B60N 2/933;
B60N 2/222; B60N 2/2245; B60N
2/686; B60N 2/688; F16B 2/08; F16B
2/803; F16B 45/00

See application file for complete search history.

(56) **References Cited**

U.S. PATENT DOCUMENTS

D138,510 S *	8/1944	Dreyfuss	D6/356
D138,511 S *	8/1944	Dreyfuss	D6/356
D196,720 S *	10/1963	Johnson	D6/366
D201,355 S *	6/1965	Cavalli	D6/366
D209,743 S *	1/1968	Mulhauser, Jr.	D6/366
D211,523 S *	6/1968	Duern	D6/335
D249,306 S *	9/1978	Bengtsson	D6/342
D402,125 S *	12/1998	Dryburgh	D6/356

(Continued)

OTHER PUBLICATIONS

“This Train Seat Will Make Your Head Spin” Sep. 15, 2010, wired.com, site visited Feb. 19, 2020 <<https://www.wired.com/2010/09/seymourpowell-train-seat/>> (Year: 2010).*

Primary Examiner — Kevin K Rudzinski

Assistant Examiner — Paul D Bohannon

(74) *Attorney, Agent, or Firm* — Von Rohrscheidt Patents

(57) **CLAIM**

The ornamental design for a bus seat, as shown and described.

DESCRIPTION

FIG. 1 illustrates a front left side perspective view of the bus seat showing the new design.

FIG. 2 illustrates a right side view of the bus seat in FIG. 1.

FIG. 3 illustrates a bottom view of the bus seat in FIG. 1.

FIG. 4 illustrates a top view of the bus seat in FIG. 1.

FIG. 5 illustrates a rear view of the bus seat in FIG. 1.

FIG. 6 illustrates a right side view of the bus seat in FIG. 1.

FIG. 7 illustrates a left side view of the bus seat in FIG. 1.

FIG. 8 illustrates a front view of the bus seat in FIG. 1; and,

FIG. 9 illustrates a back left perspective view of the bus seat in FIG. 1.

1 Claim, 9 Drawing Sheets



(56)

References Cited

U.S. PATENT DOCUMENTS

D405,275	S *	2/1999	Dryburgh	D6/335
D558,468	S *	1/2008	Lade	D6/334
D677,918	S *	3/2013	Citterio	D6/366
D698,162	S *	1/2014	Kita	D6/335
9,828,101	B2 *	11/2017	Shih	B64D 11/0646
2011/0278884	A1 *	11/2011	Marchesi	B64D 11/06 297/135

* cited by examiner



FIG. 1



FIG. 2

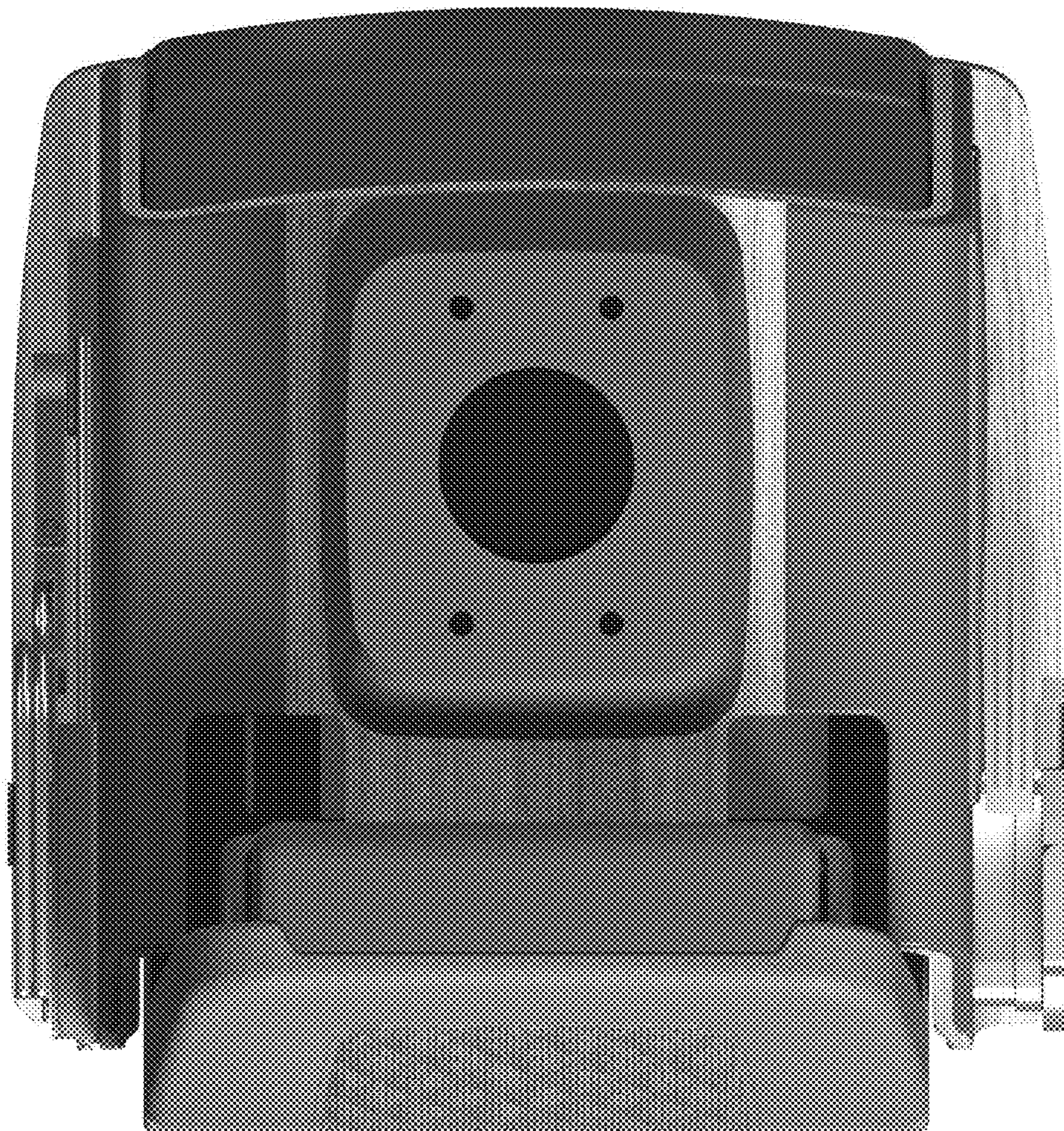


FIG. 3



FIG. 4

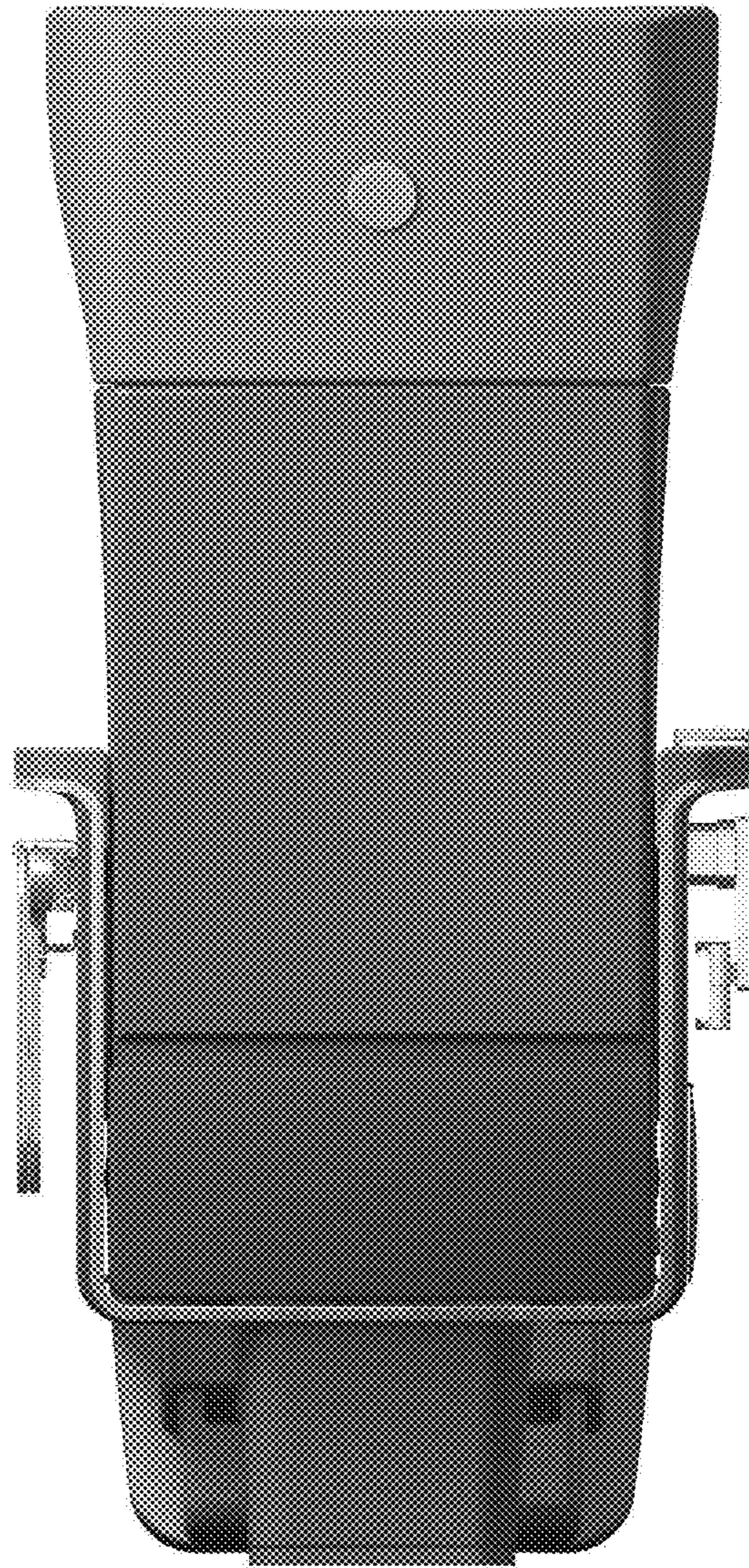


FIG. 5

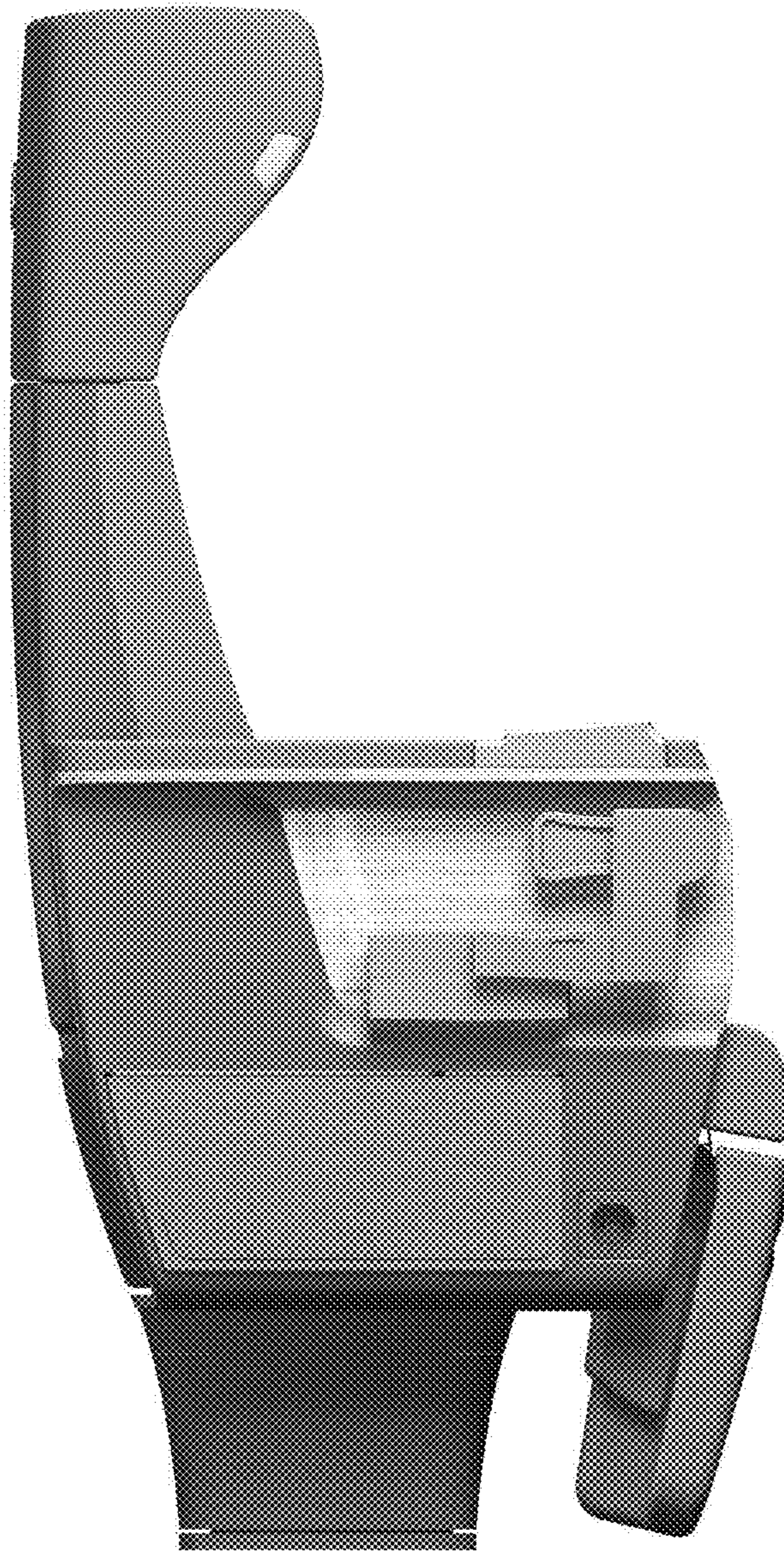


FIG. 6

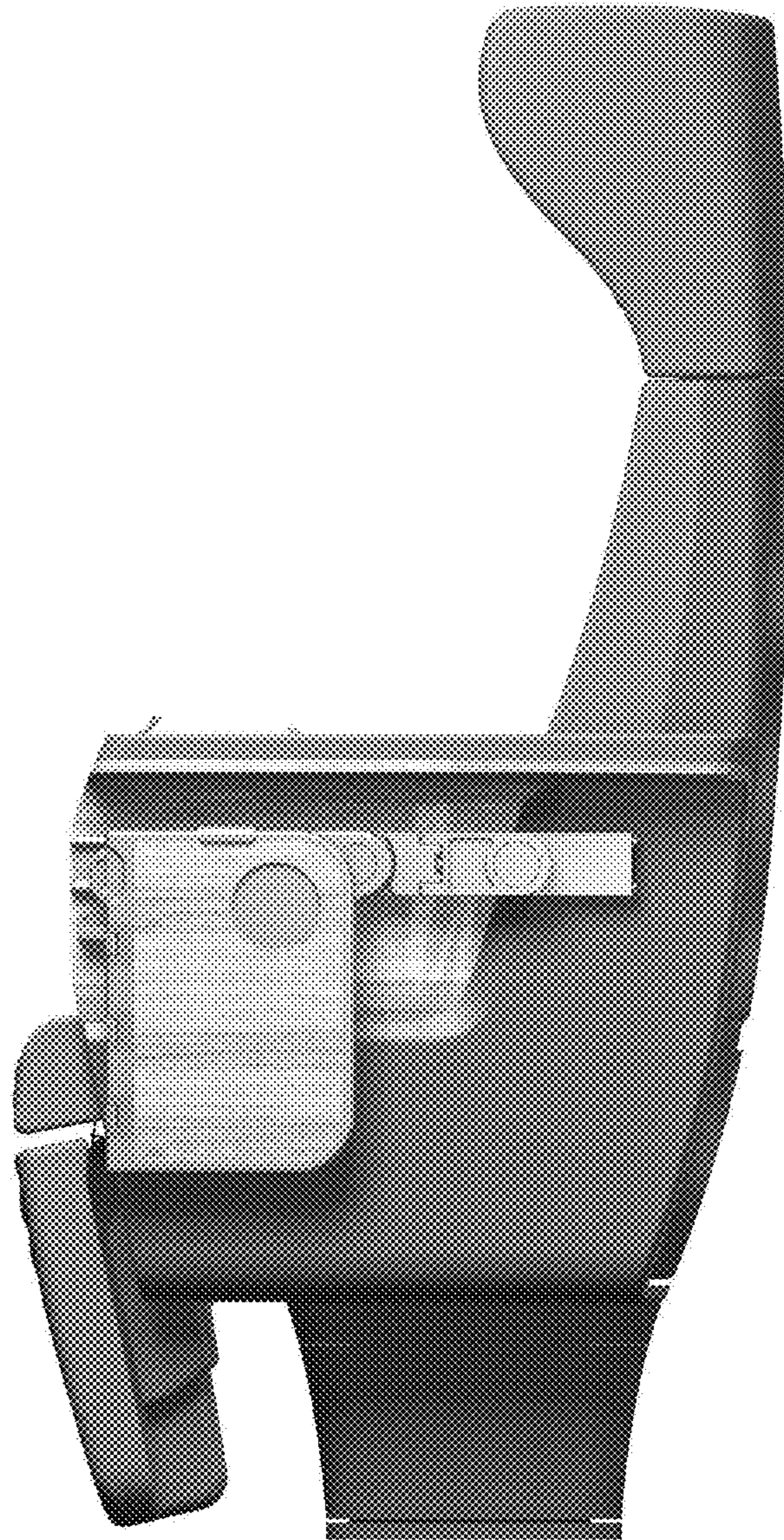


FIG. 7

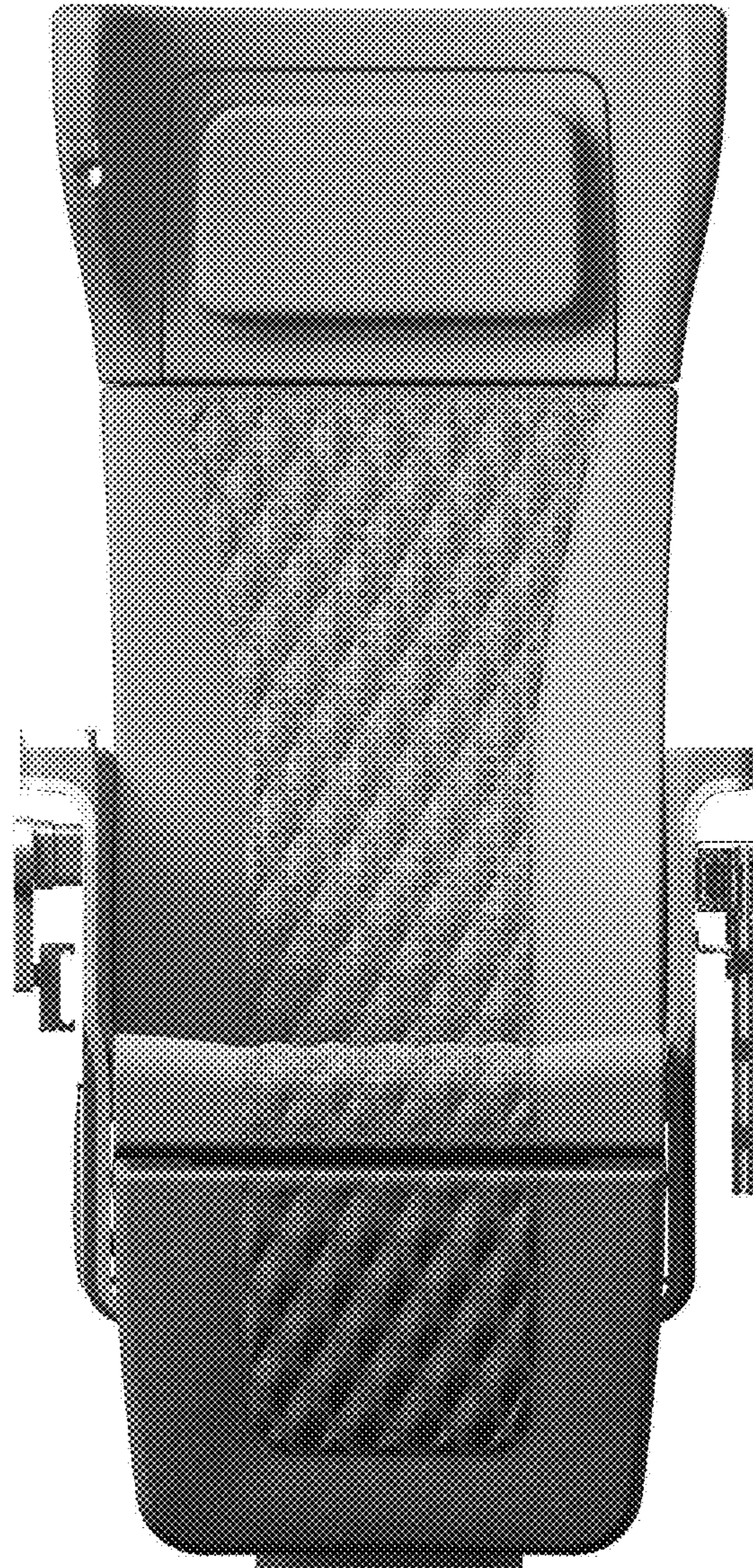


FIG. 8



FIG. 9