



US00D918609S

(12) **United States Design Patent** (10) **Patent No.:** **US D918,609 S**
Zhao (45) **Date of Patent:** **** May 11, 2021**

(54) **STOOL**
(71) Applicant: **Wanfo (Shenzhen) Intelligent Technology Co., Ltd., Guangdong (CN)**
(72) Inventor: **David Zhao, Guangdong (CN)**
(73) Assignee: **Wanfo (Shenzhen) Intelligent Technology Co., Ltd., Shenzhen (CN)**

D650,147 S * 12/2011 Kerr D1/106
D873,042 S * 1/2020 Dai D6/353
D878,067 S * 3/2020 You D6/353
D891,798 S * 8/2020 Dai D6/353
D893,204 S * 8/2020 Dai D6/353
D899,117 S * 10/2020 Dai D6/353
D906,742 S * 1/2021 Dai D6/686
2013/0341988 A1 * 12/2013 Walker A47C 9/007
297/423.17
2020/0015592 A1 * 1/2020 Zaifman A47B 13/081

(**) Term: **15 Years**
(21) Appl. No.: **29/719,804**
(22) Filed: **Jan. 8, 2020**

(30) **Foreign Application Priority Data**
Nov. 12, 2019 (CN) 201930621747.2
(51) **LOC (13) Cl.** **06-01**
(52) **U.S. Cl.**
USPC **D6/353**
(58) **Field of Classification Search**
USPC D6/334-338, 340-343, 349-353, 355,
D6/364-365, 691-691.9, 692-692.6,
D6/716-716.1; D25/65
CPC A47B 7/00-02; A47C 11/00; A47C 12/00;
A47C 13/00; A47C 16/00; A47C
16/02-04; A47C 9/00-105; A47K 17/02;
A47K 17/028
See application file for complete search history.

(56) **References Cited**
U.S. PATENT DOCUMENTS
3,715,996 A * 2/1973 Rolfshus A47B 3/10
297/311
D357,588 S * 4/1995 Fachinger D6/302

OTHER PUBLICATIONS

Vamvo Portable Folding Stool, Camping Retractable Stool, Telescopic Stool. [online] First available Jan. 9, 2020. Retrieved from URL: <https://www.amazon.co.uk/Vamvo-Portable-Retractable-Telescopic-Gardening/dp/B083NR5B26>.*

* cited by examiner

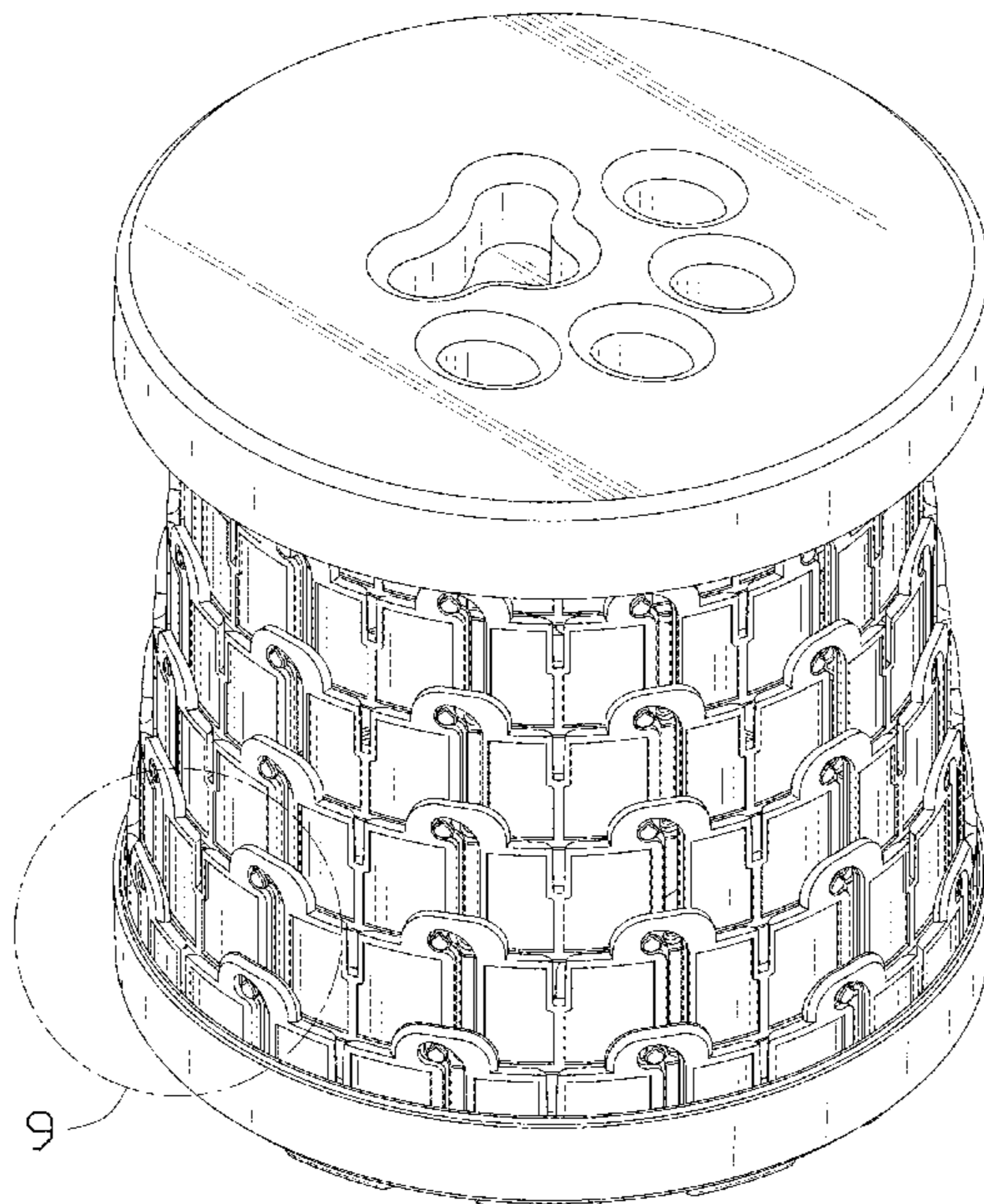
Primary Examiner — Vy N Koenig

(57) **CLAIM**
The ornamental design for a stool, as shown and described.

DESCRIPTION

FIG. 1 is a top, front and left side perspective view of a stool showing my new design;
FIG. 2 is a bottom, front and right side perspective view thereof;
FIG. 3 is a front elevational view thereof;
FIG. 4 is a rear elevational view thereof;
FIG. 5 is a right side view thereof;
FIG. 6 is a left side view thereof;
FIG. 7 is a top plan view thereof;
FIG. 8 is a bottom plan view thereof;
FIG. 9 is an enlarged view of portion 9 in FIG. 1; and,
FIG. 10 is an enlarged view of portion 10 in FIG. 2.

1 Claim, 10 Drawing Sheets



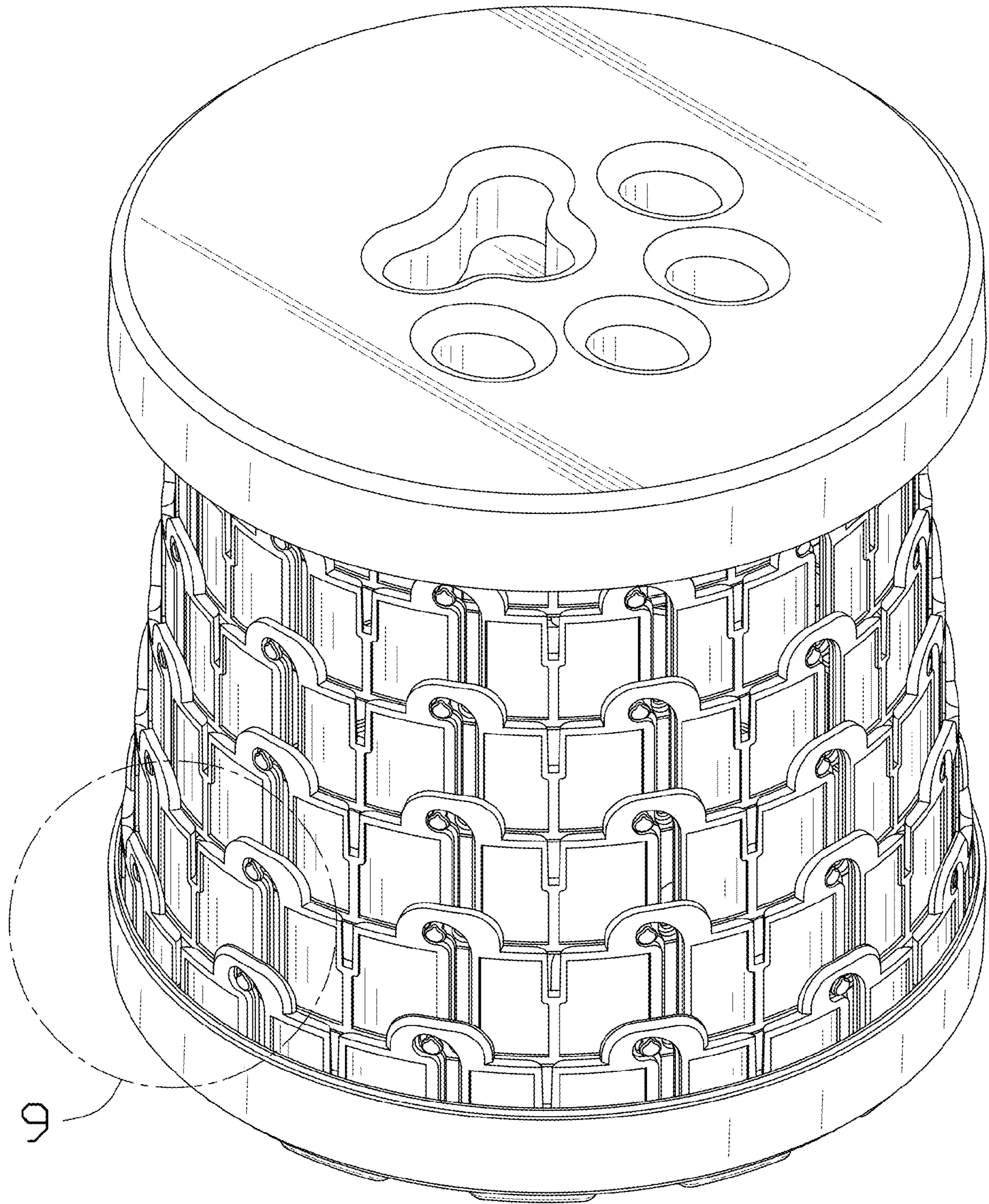


FIG. 1

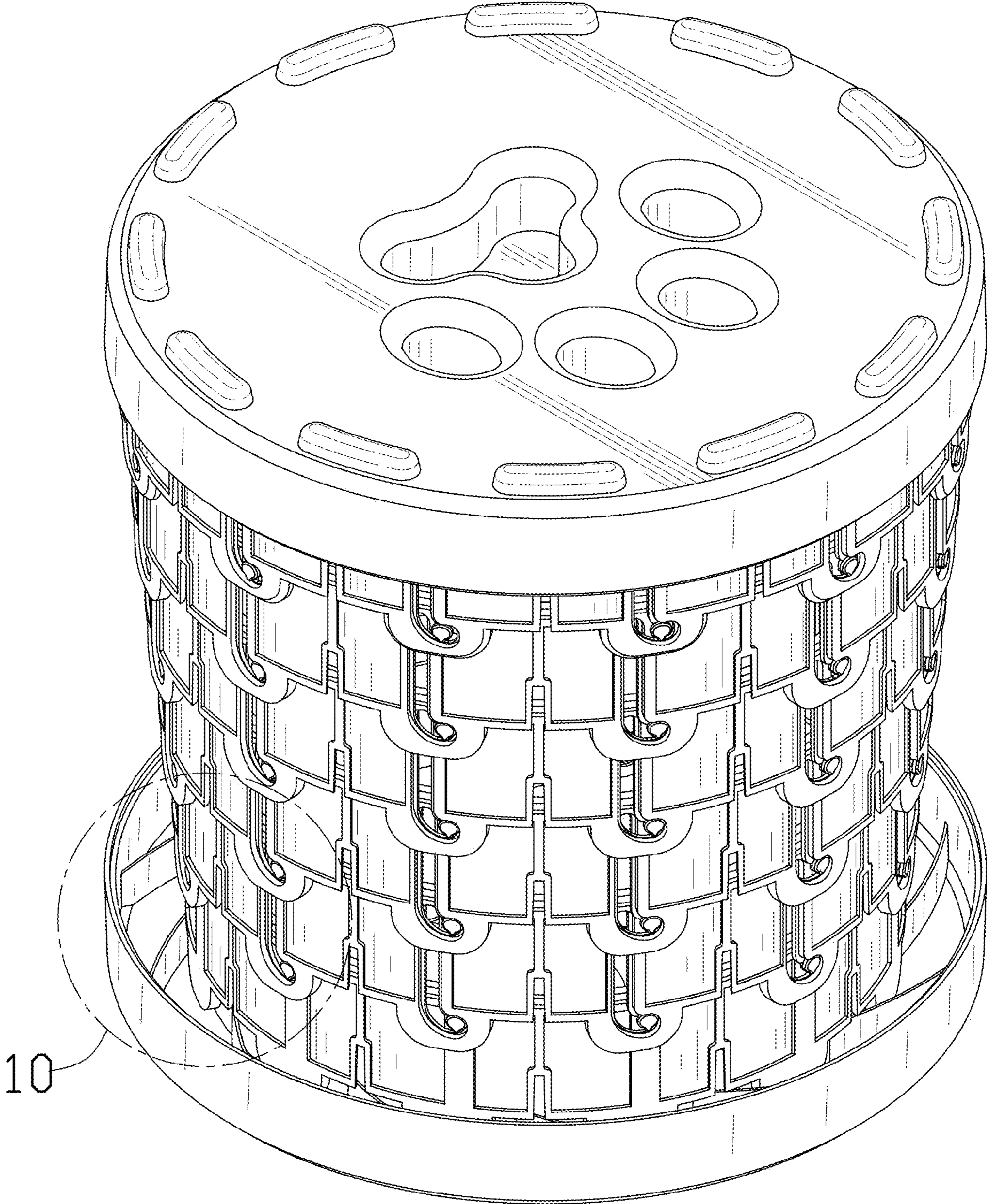


FIG. 2

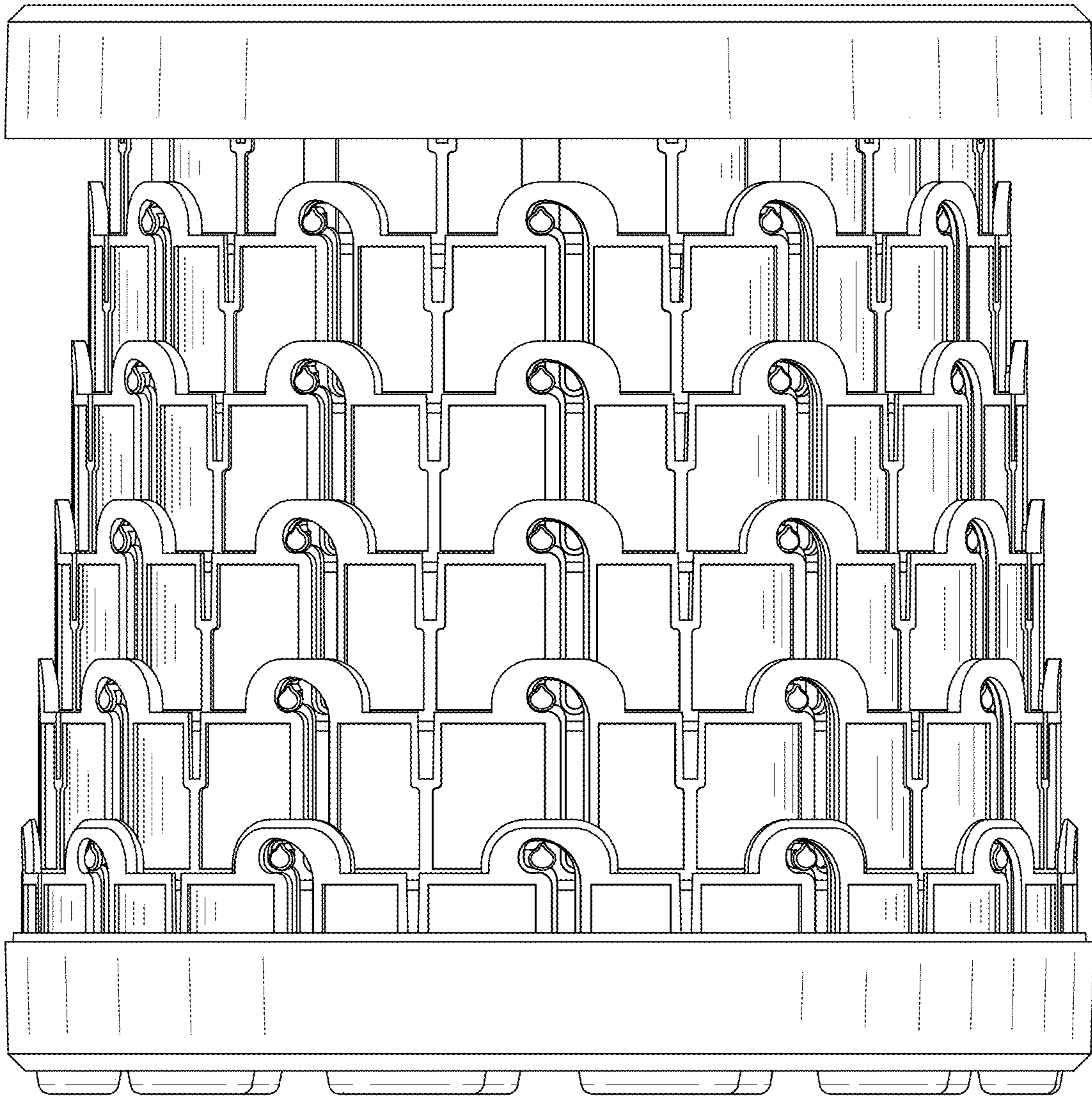


FIG. 3

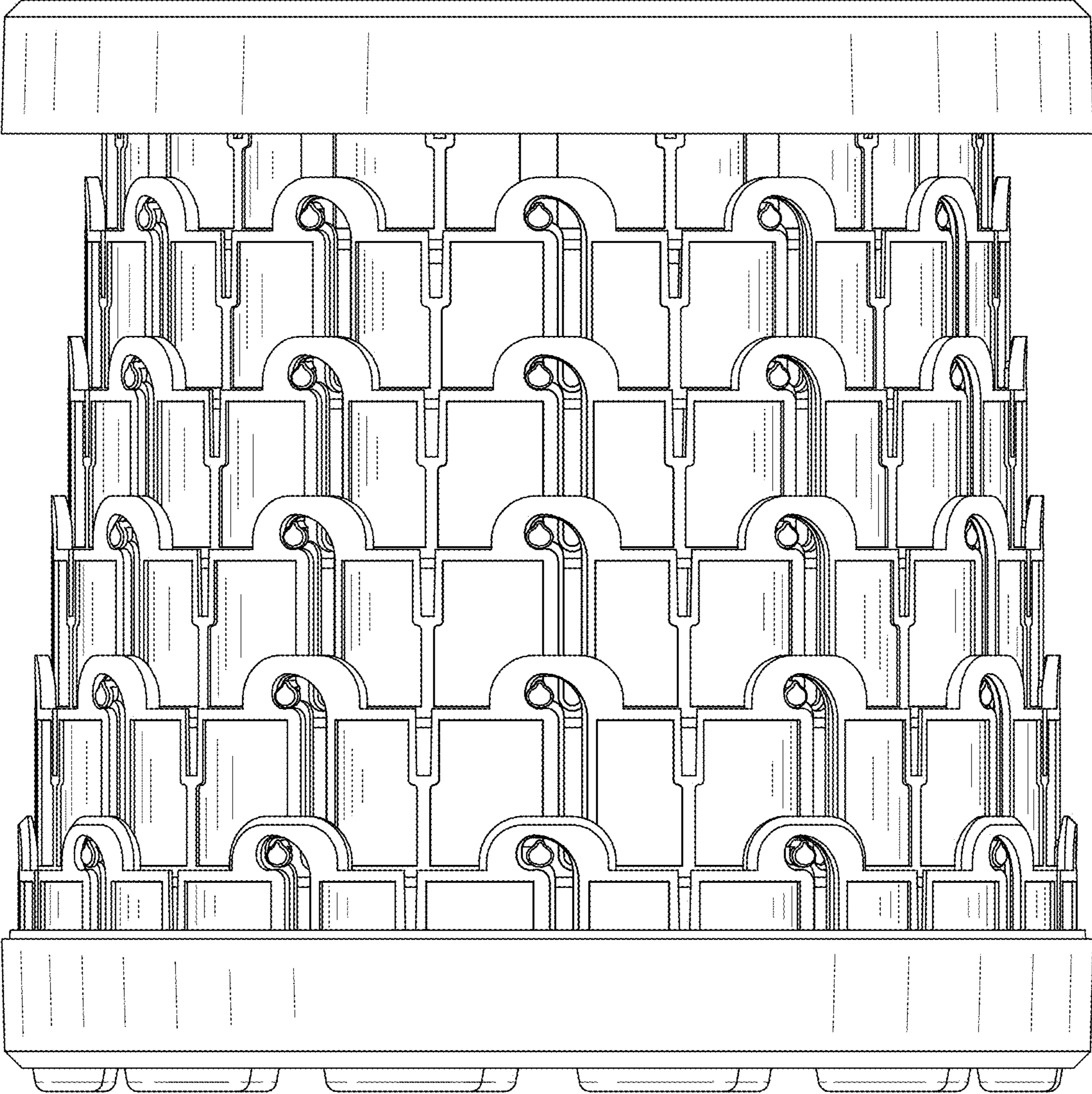


FIG. 4

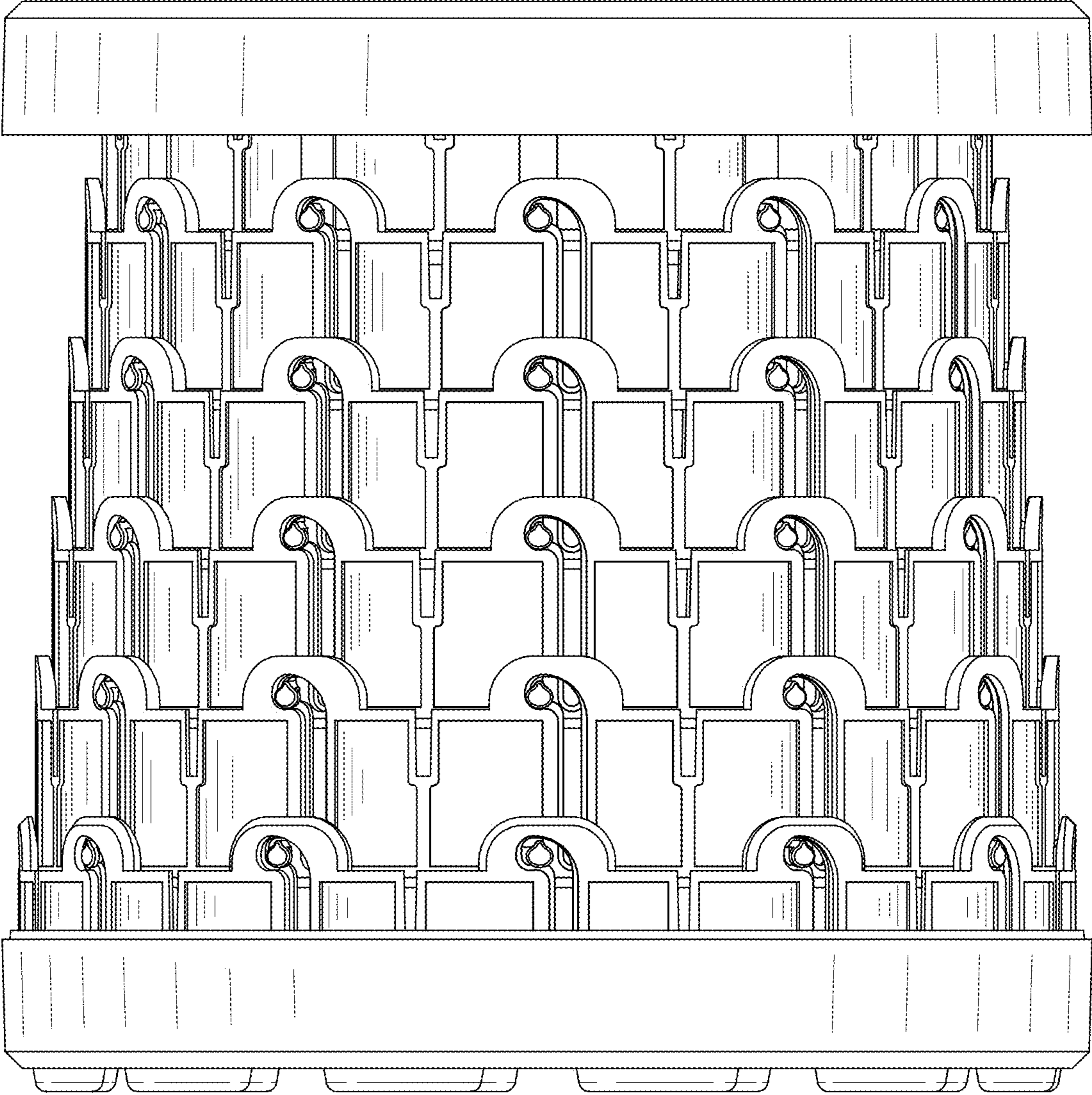


FIG. 5

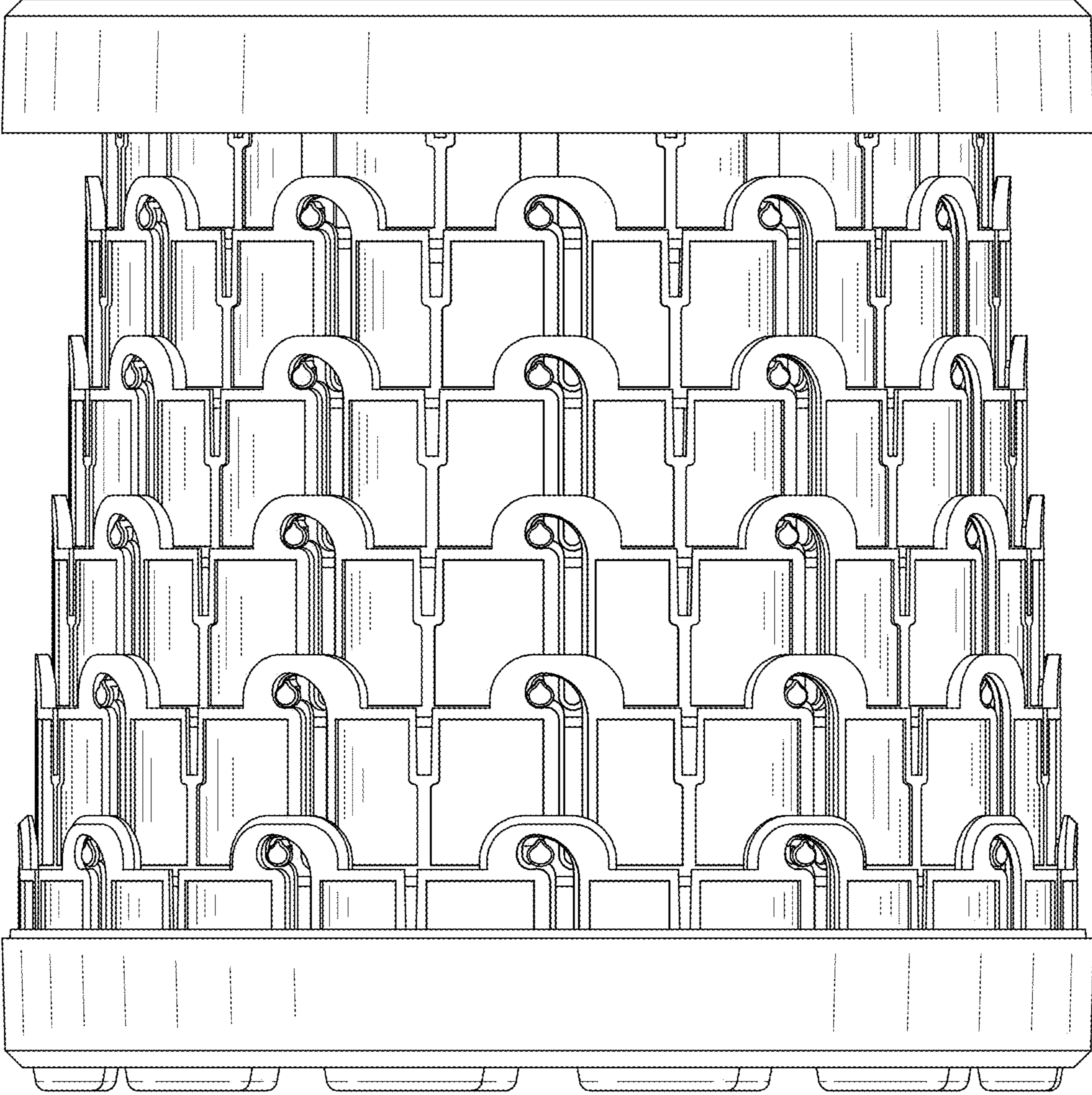


FIG. 6

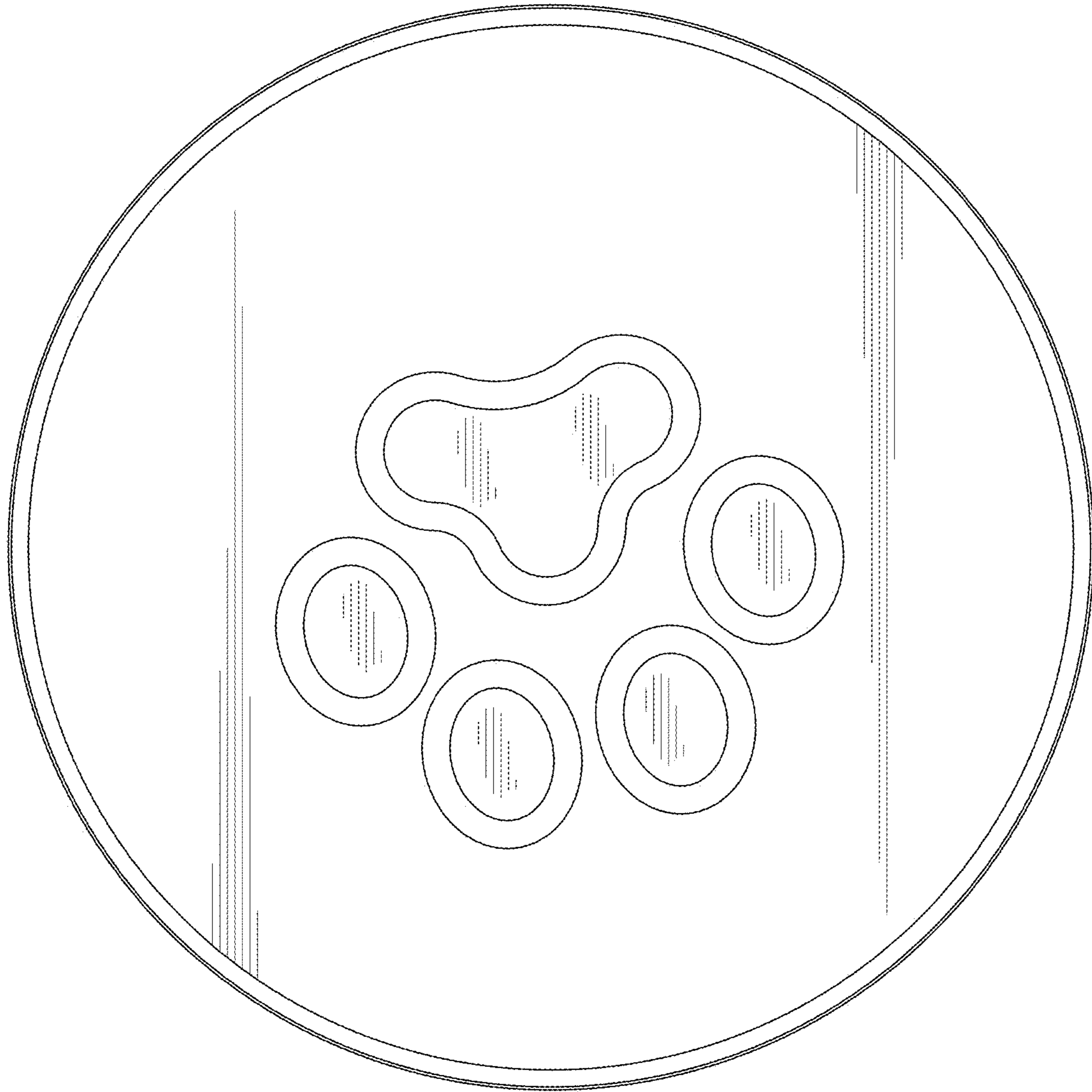


FIG. 7

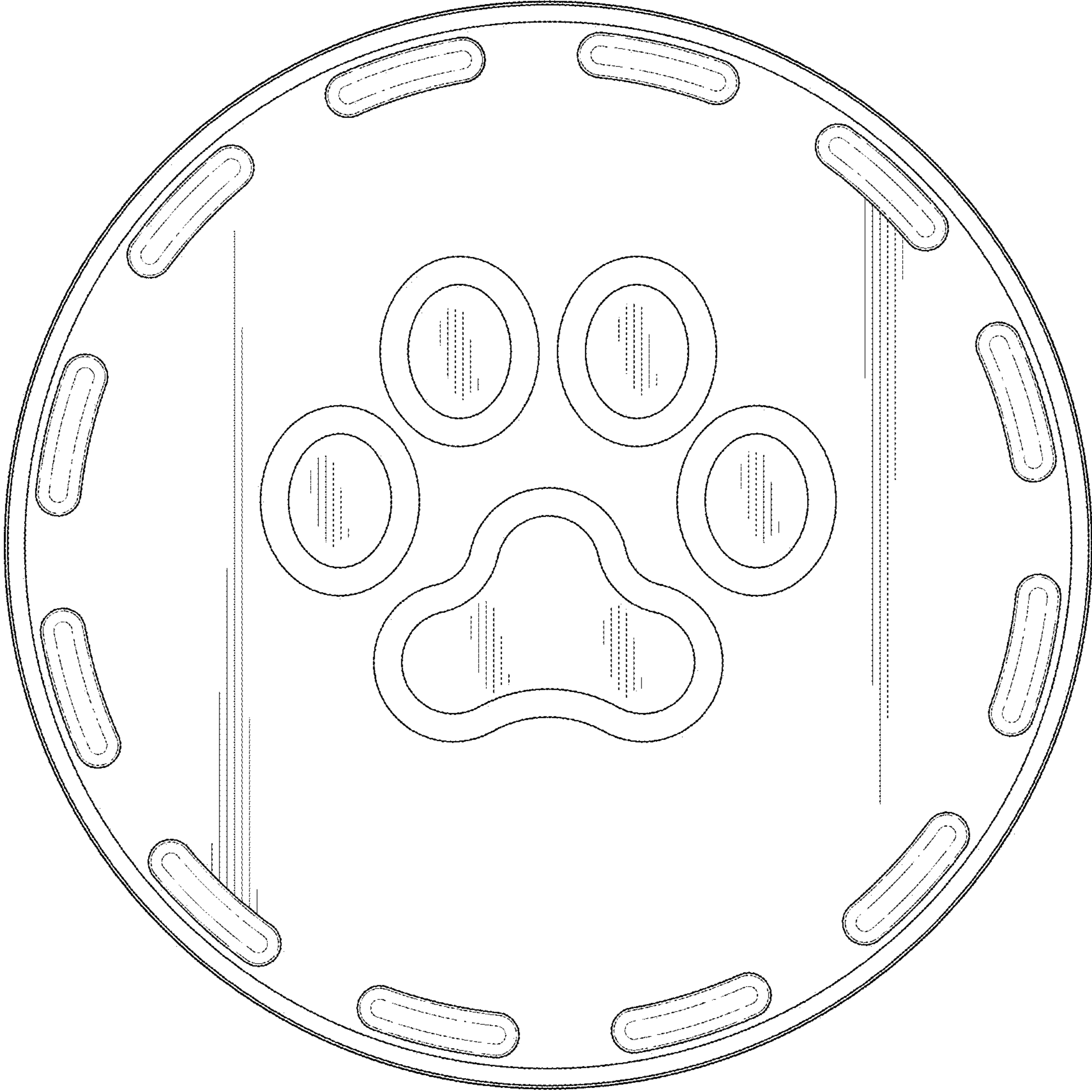


FIG. 8

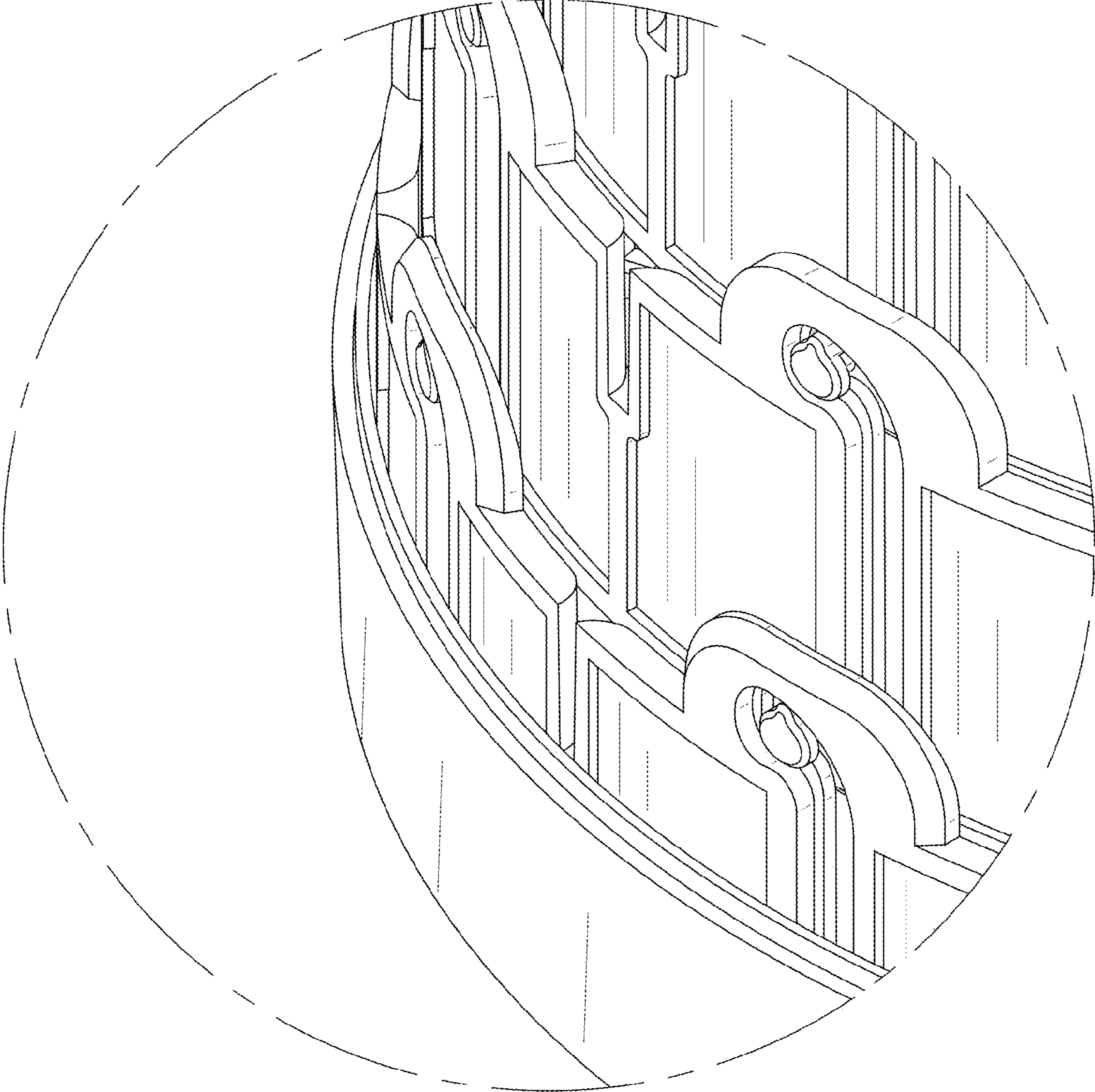


FIG. 9

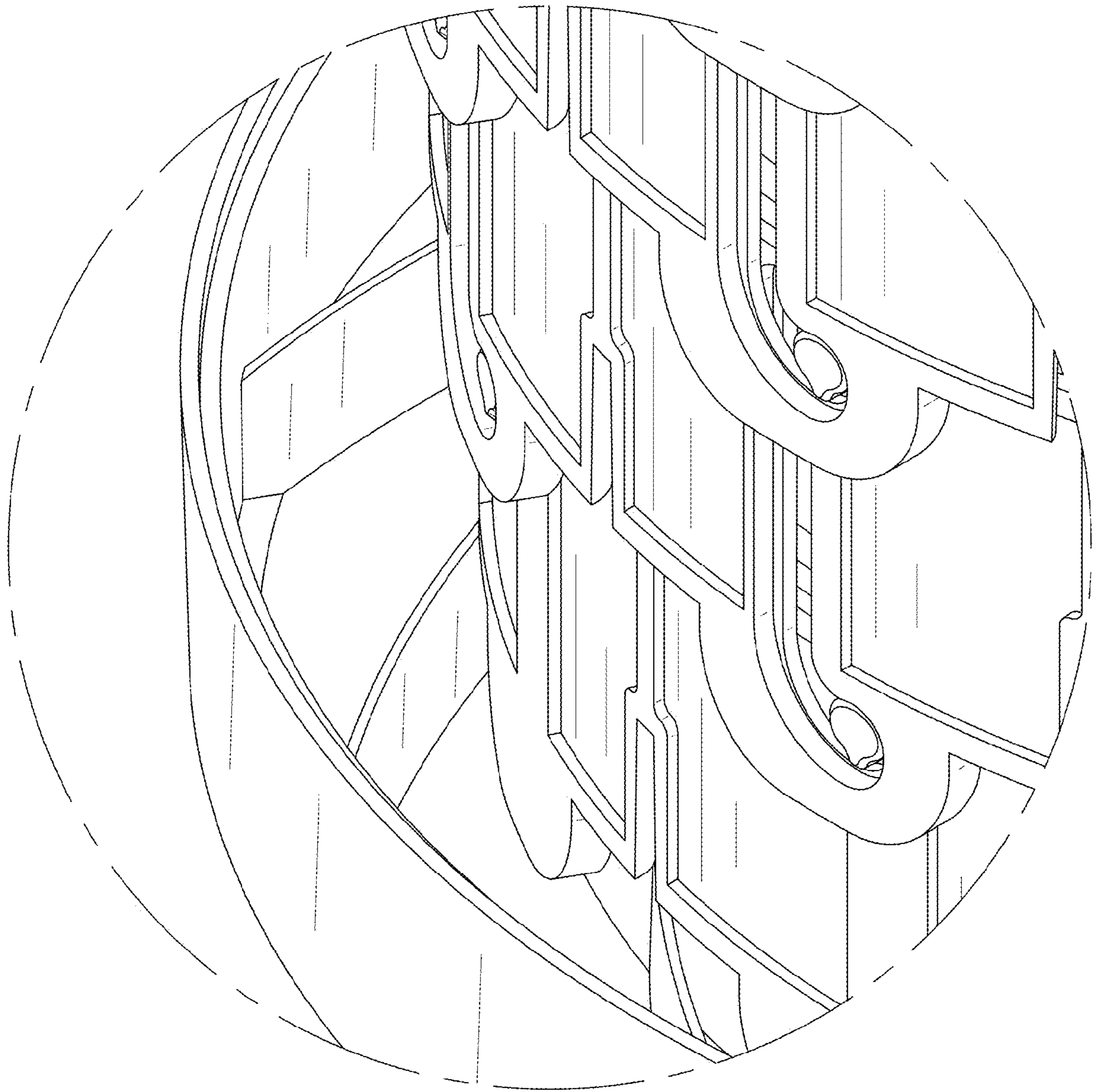


FIG. 10