



US00D918606S

(12) **United States Design Patent**
Rashid

(10) **Patent No.:** **US D918,606 S**

(45) **Date of Patent:** **** *May 11, 2021**

(54) **STOOL**

(71) Applicant: **Karim Rashid**, New York, NY (US)

(72) Inventor: **Karim Rashid**, New York, NY (US)

(73) Assignee: **Norix Group, Inc.**, West Chicago, IL (US)

(*) Notice: This patent is subject to a terminal disclaimer.

(**) Term: **15 Years**

(21) Appl. No.: **29/628,027**

(22) Filed: **Nov. 30, 2017**

(51) **LOC (13) Cl.** **06-01**

(52) **U.S. Cl.**
USPC **D6/349**

(58) **Field of Classification Search**
USPC D6/334-338, 340-343, 349-353, 355,
D6/358, 364-365, 597, 691-691.9,
D6/692-692.6, 716-716.1
CPC A47B 7/00-02; A47C 11/00; A47C 12/00;
A47C 13/00; A47C 16/00; A47C 16/02;
A47C 16/04; A47C 9/00-105; A47K
17/02; A47K 17/028

See application file for complete search history.

(56) **References Cited**

U.S. PATENT DOCUMENTS

D207,708 S * 5/1967 Michals D6/351
4,208,072 A * 6/1980 Iskendarian A47C 3/04
108/150

D406,470 S * 3/1999 Lin D6/349
D776,963 S * 1/2017 Baylar D6/692
D777,487 S * 1/2017 Baylar D6/692.3
D800,463 S * 10/2017 Kim D6/351

OTHER PUBLICATIONS

Tonik Modern Furniture Hospitality Furniture Stools Side Tables.
[online] Retrieved Nov. 1, 2018 from URL: <https://tonikworld.com/product/illuminated-swizzle/>.*

* cited by examiner

Primary Examiner — Vy N Koenig

(74) *Attorney, Agent, or Firm* — James D Palmatier;
Applied Patent Services, PC

(57) **CLAIM**

The ornamental design for a stool, as shown and described.

DESCRIPTION

FIG. 1 is a top plan view for a stool showing my new design.
FIG. 2 is a front elevation view thereof.
FIG. 3 is a bottom plan view thereof.
FIG. 4 is a back elevation view thereof.
FIG. 5 is a left elevation view thereof.
FIG. 6 is a right elevation view thereof.
FIG. 7 is a top perspective view thereof; and,
FIG. 8 is a bottom perspective view thereof.
The broken line portion of the drawings is included to show portions of the stool that forms no part of the claimed design.

1 Claim, 2 Drawing Sheets

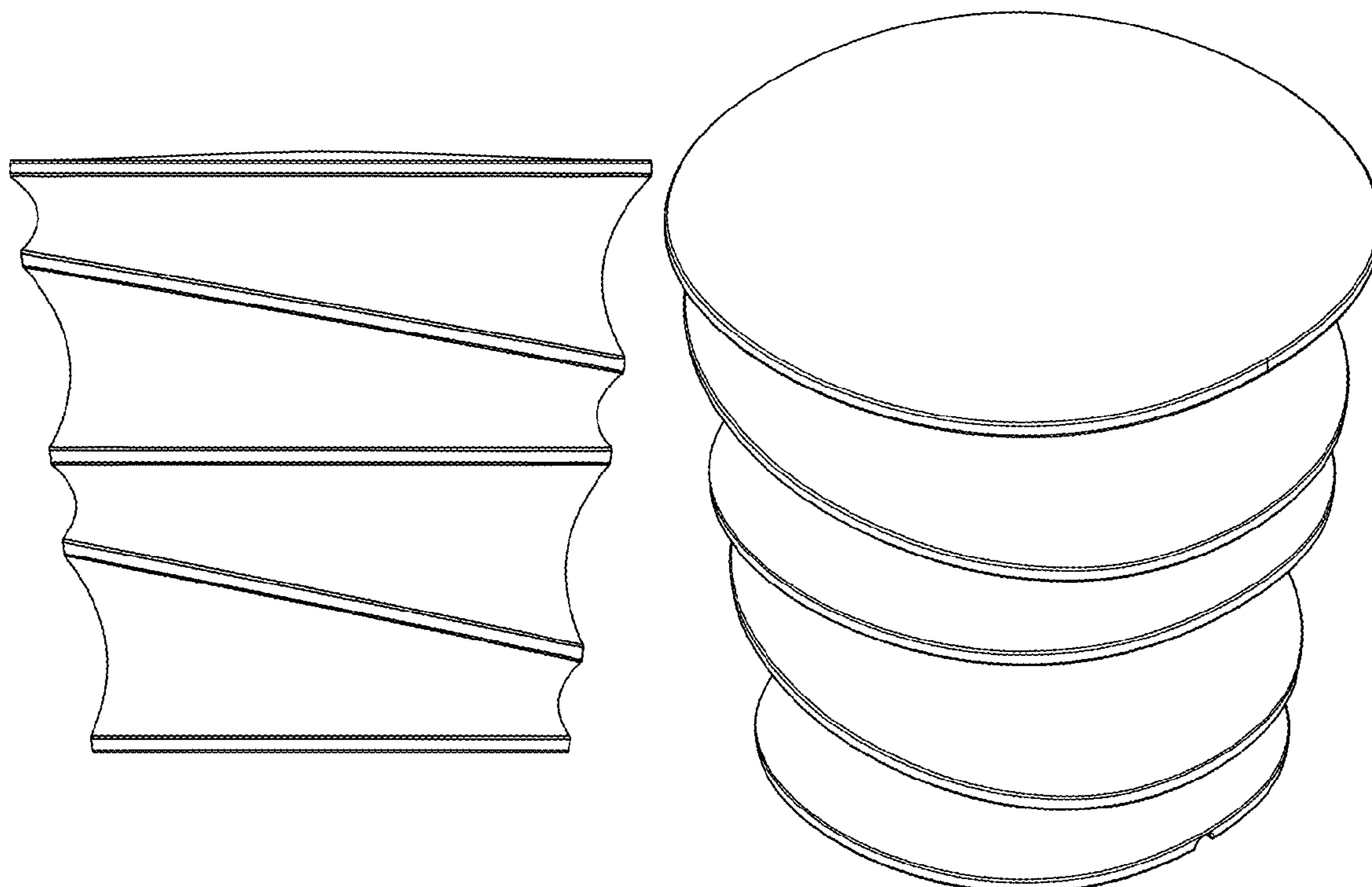


FIG.1

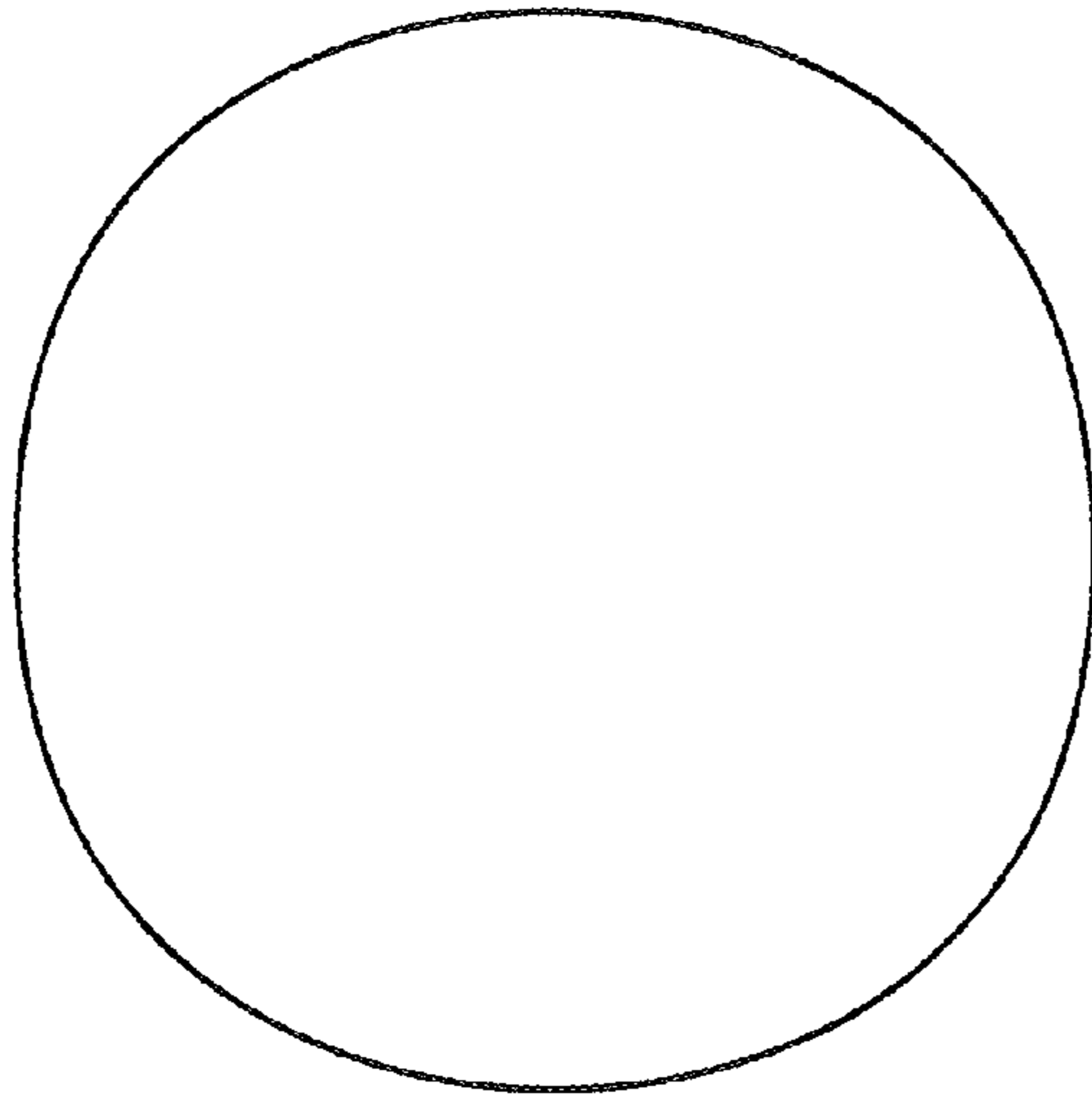


FIG.4

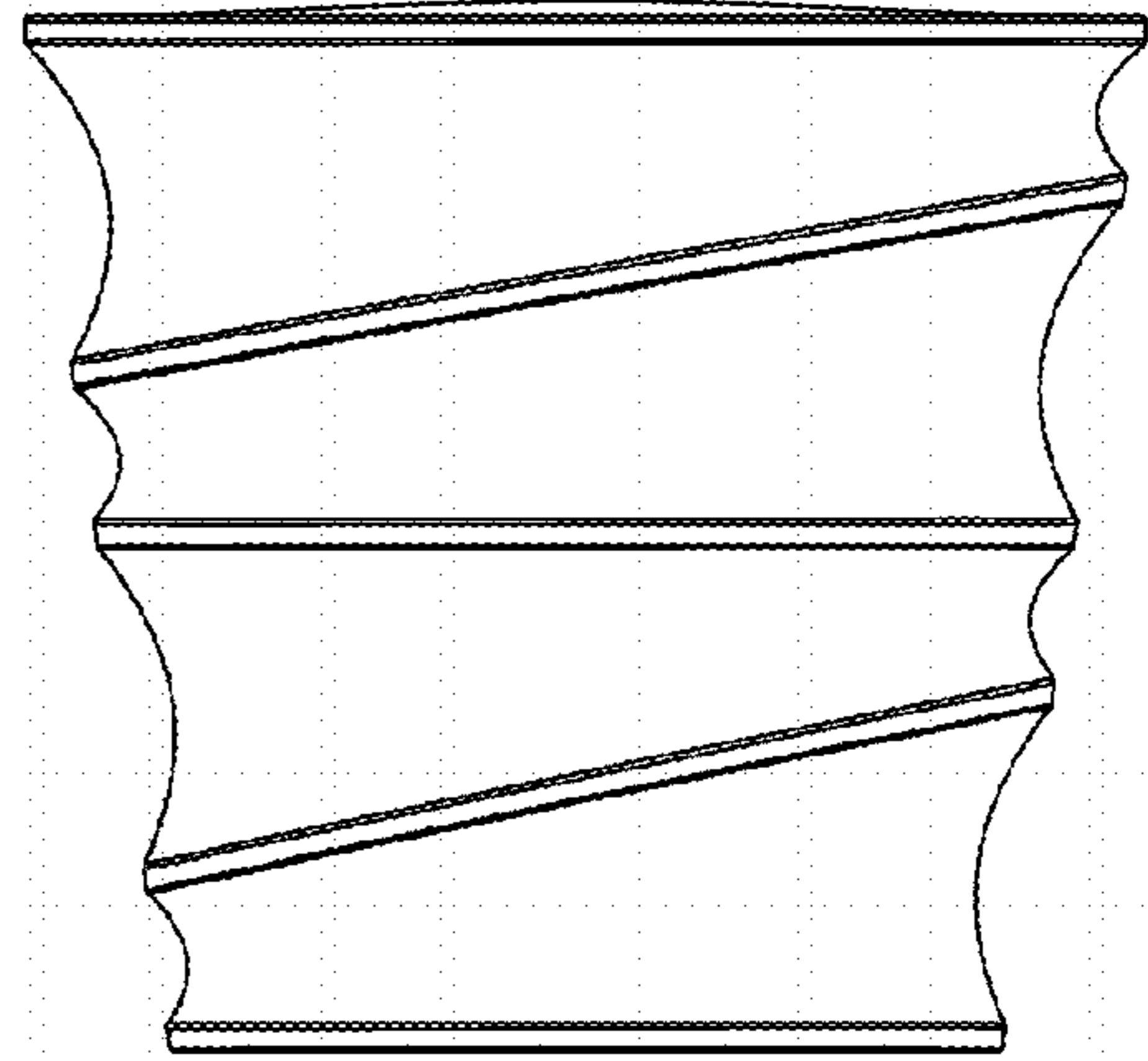


FIG. 2

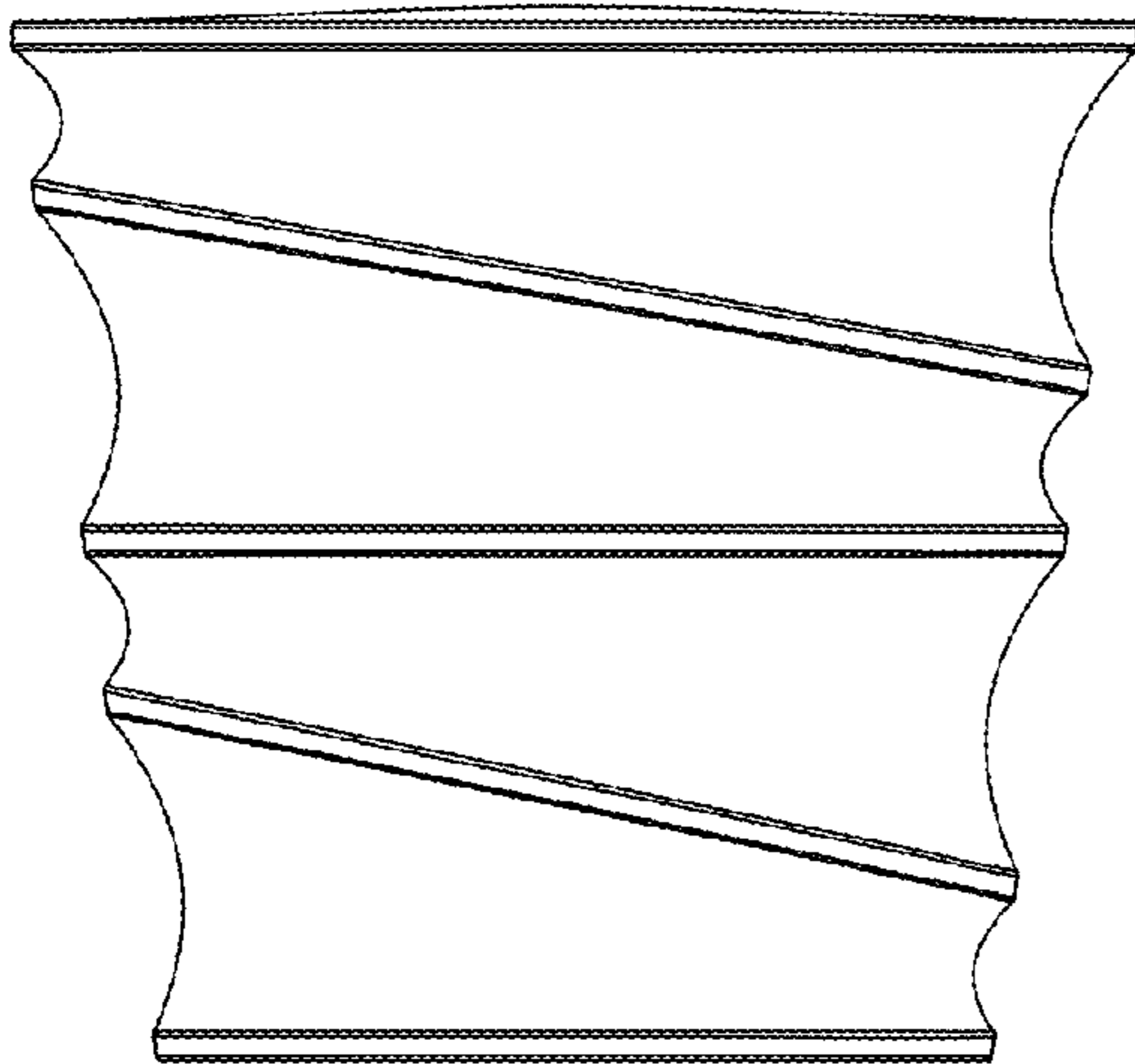
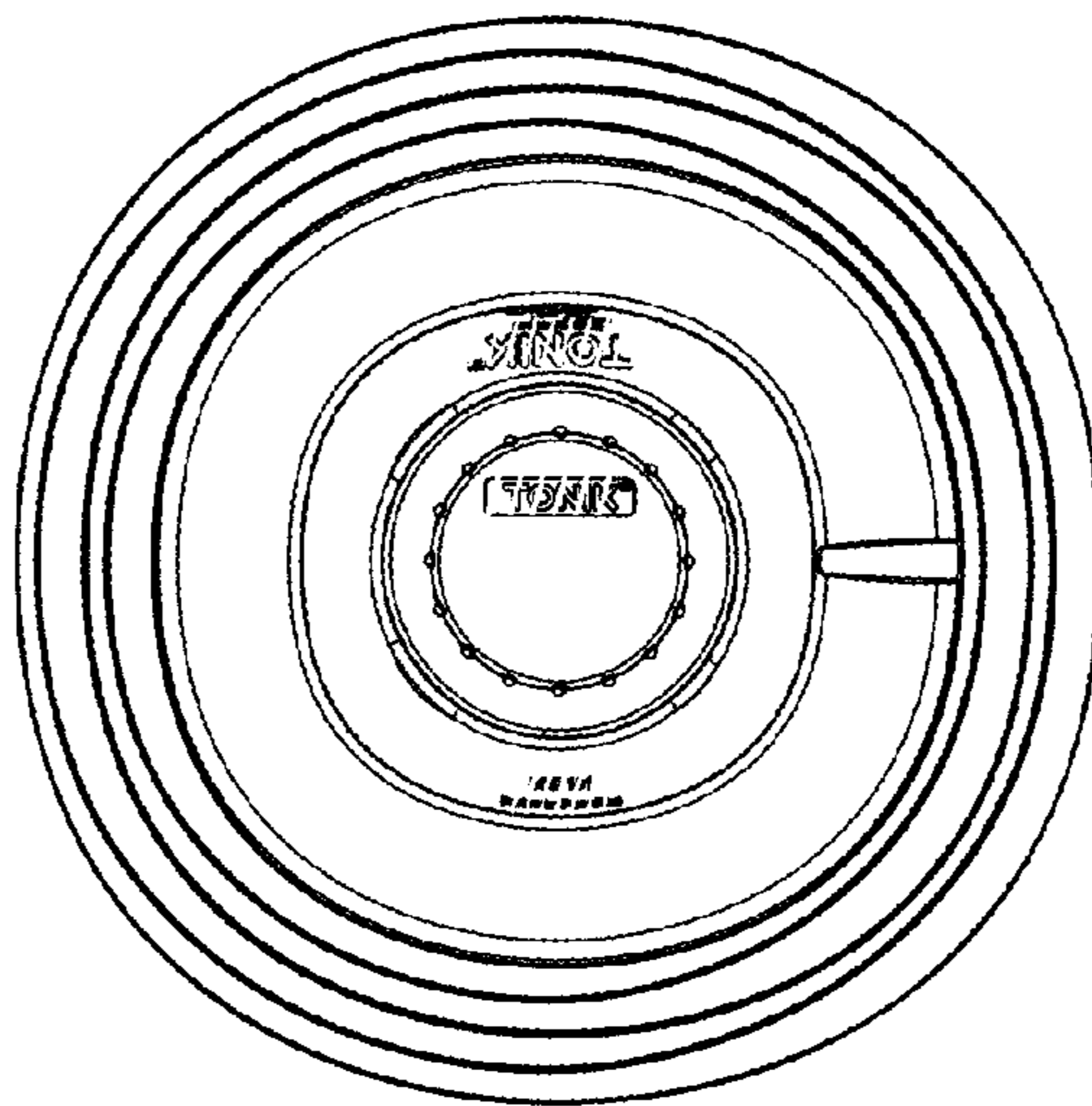


FIG.3



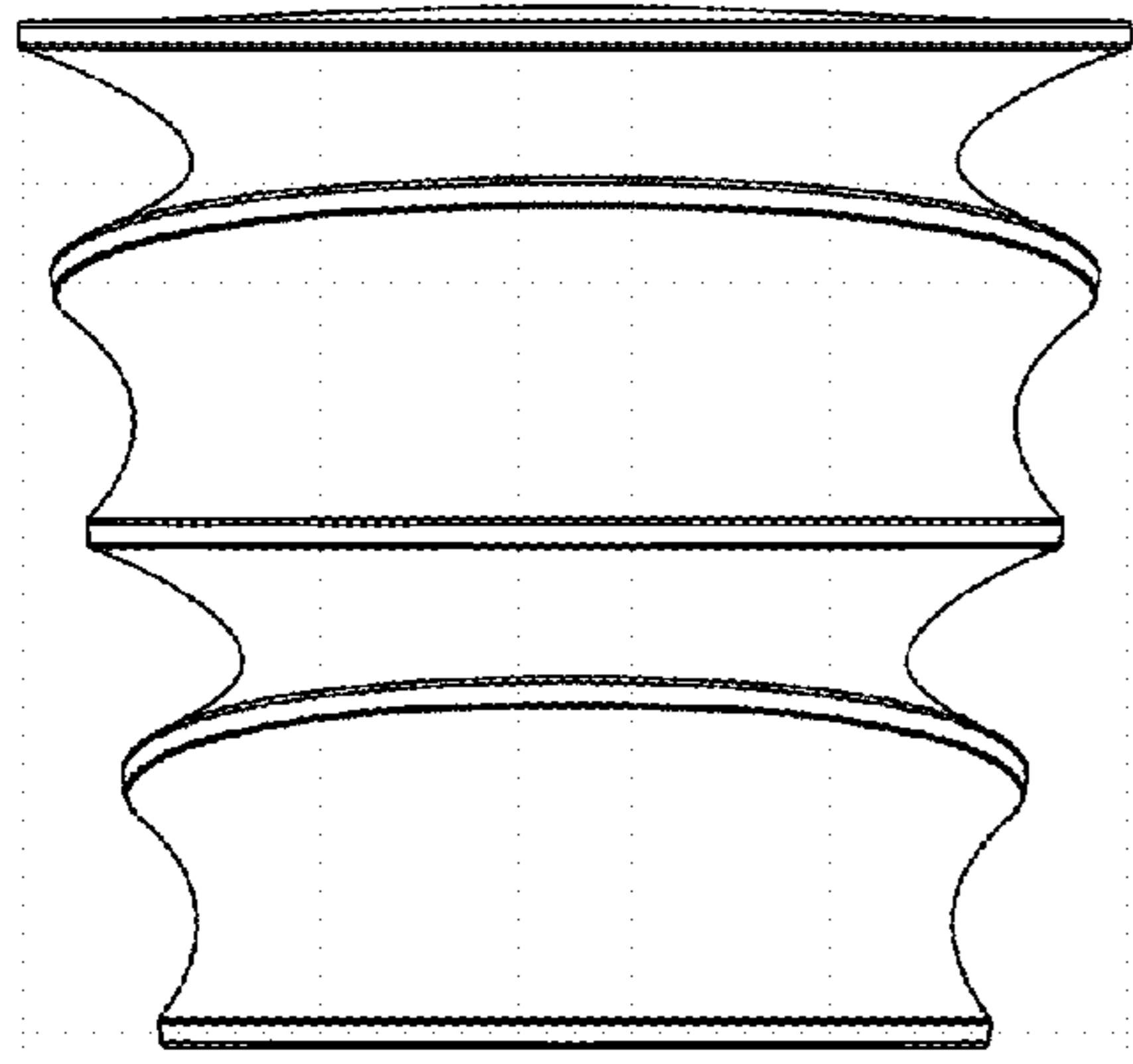


FIG. 5

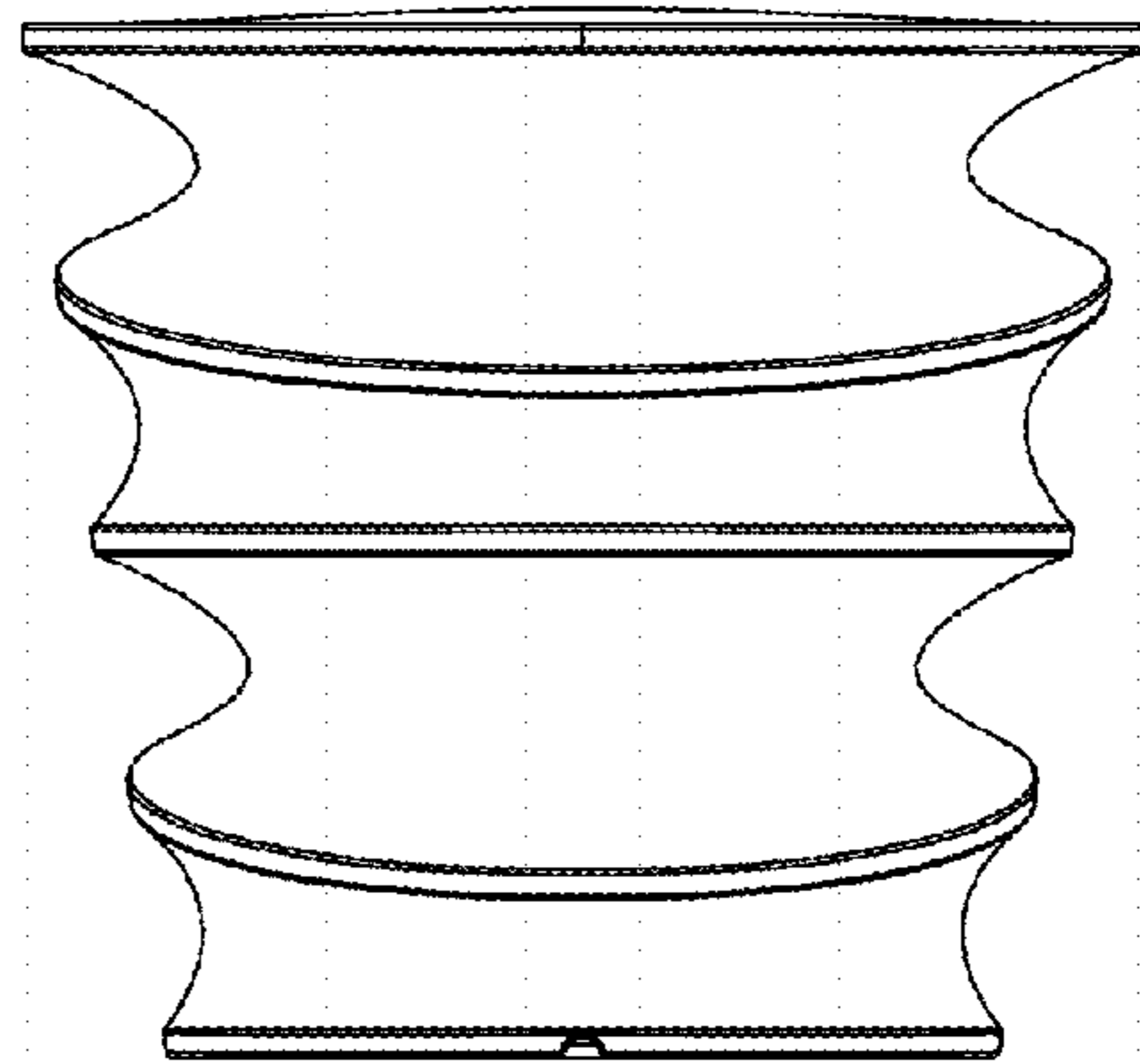


FIG. 6

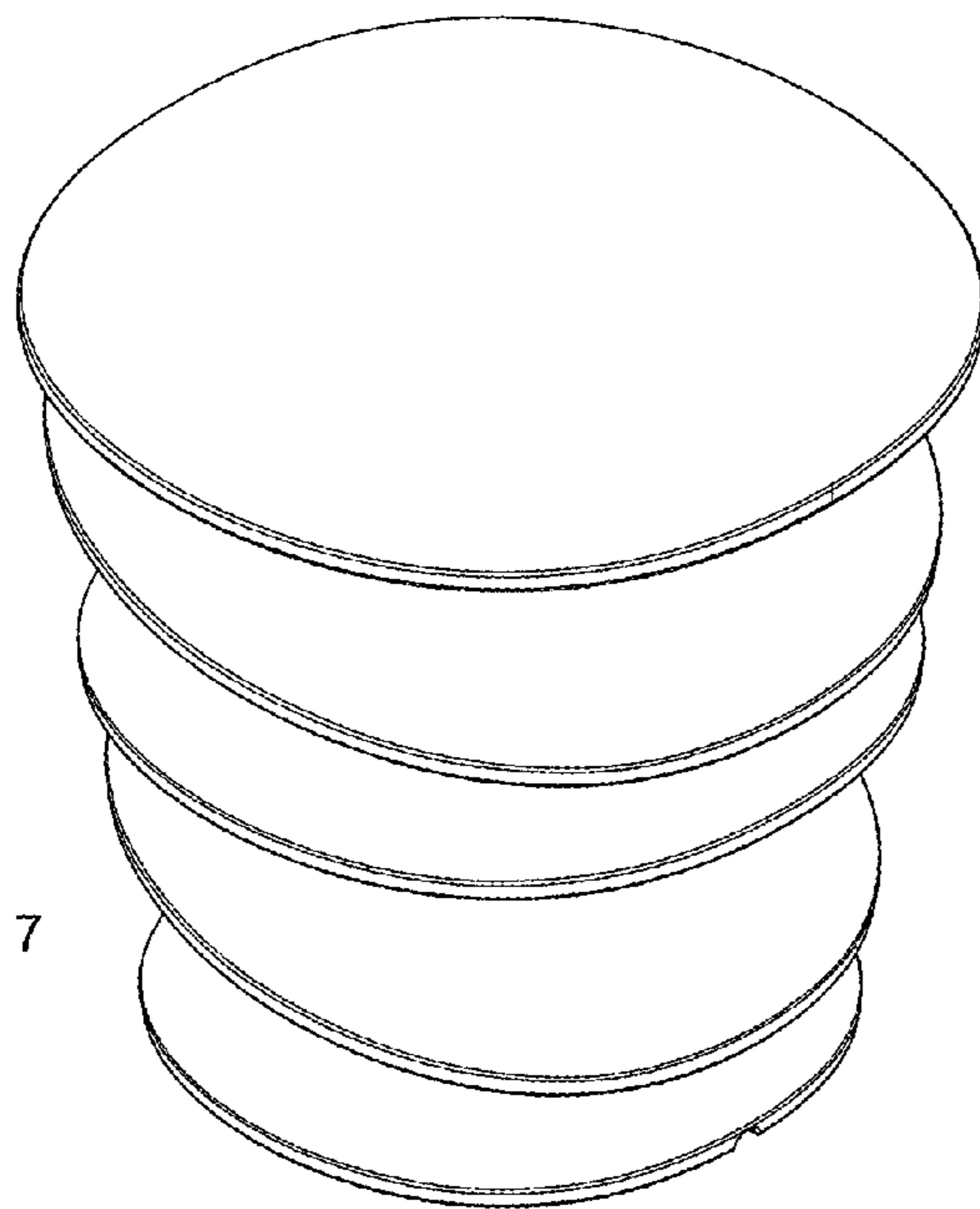


FIG. 7

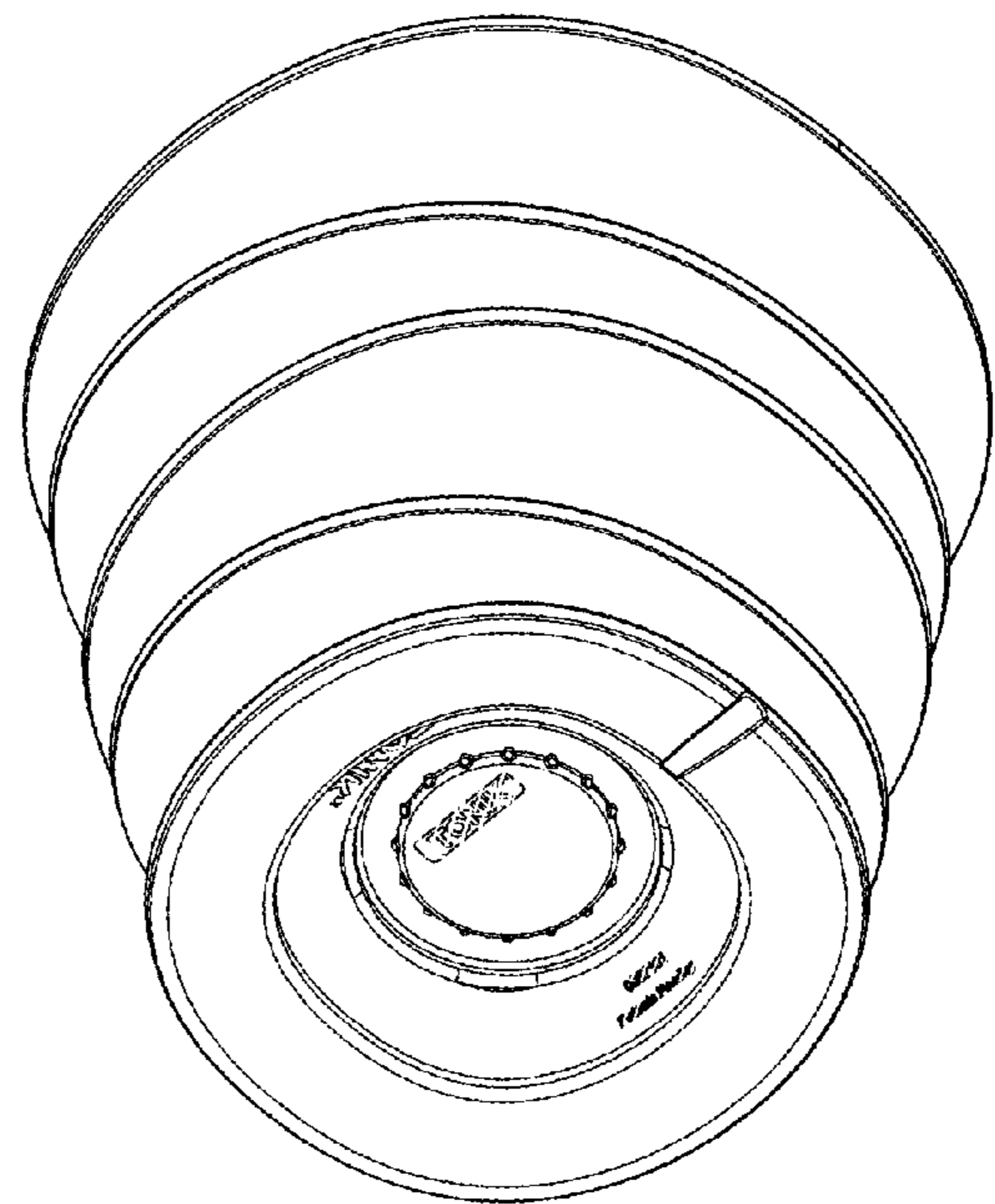


FIG. 8