



US00D918603S

(12) **United States Design Patent** (10) **Patent No.:** **US D918,603 S**
Bassant (45) **Date of Patent:** **** May 11, 2021**

(54) **WALL MIRROR**

D649,790 S * 12/2011 Pitot D6/309
D652,220 S * 1/2012 Pitot D6/309
D657,576 S * 4/2012 Pitot D6/309

(Continued)

(71) Applicant: **Astro Lighting Ltd.**, Harlow (GB)

(72) Inventor: **James Edward Bassant**, Harlow (GB)

(73) Assignee: **ASTRO LIGHTING LTD.**, Harlow (GB)

FOREIGN PATENT DOCUMENTS

CN 107304989 10/2017
CN 107319856 11/2017

(**) Term: **15 Years**

OTHER PUBLICATIONS

(21) Appl. No.: **29/726,110**

Astro Orb, [online], [site visited Nov. 7, 2020]. Available from internet. <URL:https://www.astrolighting.com/capsule-collection/orb>, 3 pages (Year: 2020).*

(22) Filed: **Feb. 28, 2020**

(Continued)

(30) **Foreign Application Priority Data**

Jan. 23, 2020 (EM) 007547906-0008

(51) **LOC (13) Cl.** **26-05**

(52) **U.S. Cl.**
USPC **D6/309**; D26/56

(58) **Field of Classification Search**
USPC D26/37-51, 72; D6/300, 308
CPC F21L 2003/00; F21L 4/00; F21L 4/005;
F21L 4/02; F21L 4/025; F21L 4/027;
F21L 4/04; F21L 4/08; F21L 2005/00;
F21L 7/00; F21L 11/00; F21L 13/00;
F21L 13/04; F21L 13/08; F21L 14/02;
F21L 17/00; F21L 19/00; F21L 25/00;
A47G 1/0616; A47G 1/0622

See application file for complete search history.

Primary Examiner — Lakiya G Rogers

Assistant Examiner — Carissa C Fitts

(74) *Attorney, Agent, or Firm* — Kane Kessler, P.C.;
Barry E. Negrin

(57) **CLAIM**

The ornamental design for a wall mirror, as shown and described.

DESCRIPTION

FIG. 1 is a top-front perspective view of a wall mirror, showing our new design, with the mirror swiveled to the side.

FIG. 2 is a front elevational view thereof.

FIG. 3 is a rear elevational view thereof.

FIG. 4 is a left elevational view thereof.

FIG. 5 is a right elevational view thereof.

FIG. 6 is a top plan view thereof.

FIG. 7 is a bottom plan view thereof; and,

FIG. 8 is a top-front perspective view thereof in an alternate configuration with the mirror swiveled to the front.

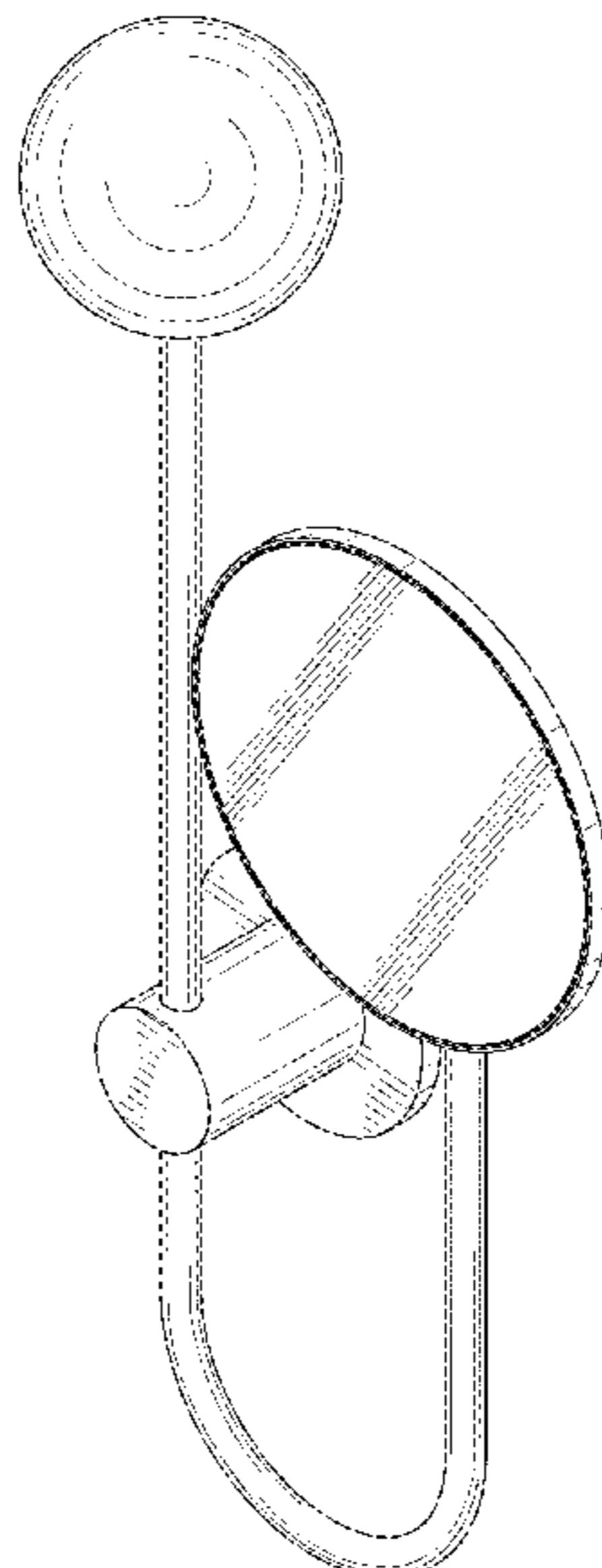
The broken lines in the drawings depict portions of the wall mirror that form no part of the claimed design.

(56) **References Cited**

U.S. PATENT DOCUMENTS

3,711,695 A 1/1973 Orbach
3,714,409 A 1/1973 Trudeau
D300,374 S * 3/1989 Dziurman D26/51
D348,906 S * 7/1994 Hubble D20/41
D454,701 S * 3/2002 Eric D6/308
D524,469 S * 7/2006 Pitot D26/37
D549,968 S * 9/2007 Pitot D6/312

1 Claim, 8 Drawing Sheets



(56)

References Cited

U.S. PATENT DOCUMENTS

D698,962	S	*	2/2014	Waldmann	D26/51
D737,580	S	*	9/2015	Tsai	D6/300
D751,829	S	*	3/2016	Yang	D6/309
D835,316	S	*	12/2018	Edgar	D26/51
D835,317	S	*	12/2018	Edgar	D26/51
D845,652	S	*	4/2019	Yang	D6/309
D846,288	S	*	4/2019	Yang	D6/309
D873,034	S	*	1/2020	Boehm	D6/309
D873,474	S	*	1/2020	Wang	D26/107
D874,161	S	*	2/2020	Yang	D6/309
D877,521	S	*	3/2020	Boehm	D6/309
D885,769	S	*	6/2020	Wang	D6/309

OTHER PUBLICATIONS

<https://www.marthastewart.com/shop/volume-lighting-volume-lighting-lawrence-1-light-5-25-in-chrome-indoor-vanity-wall-sconce-or-wall-mount-with-clear-glass-round-sphere-globe-orb-shade-pfcf4921a50eccee4917f55917d457561.htm>.

https://www.thebathoutlet.com/Makeup-Mirrors/product-search/9148?gclid=CjwKCAiAhTyBRAvEiwAln2qB8FBk9IU41ZOrvfkphe2_UC8c0e8UZ4EO1bT3e6T6_nLgDqWEDfBoCRVcQAvD_BwE.

* cited by examiner

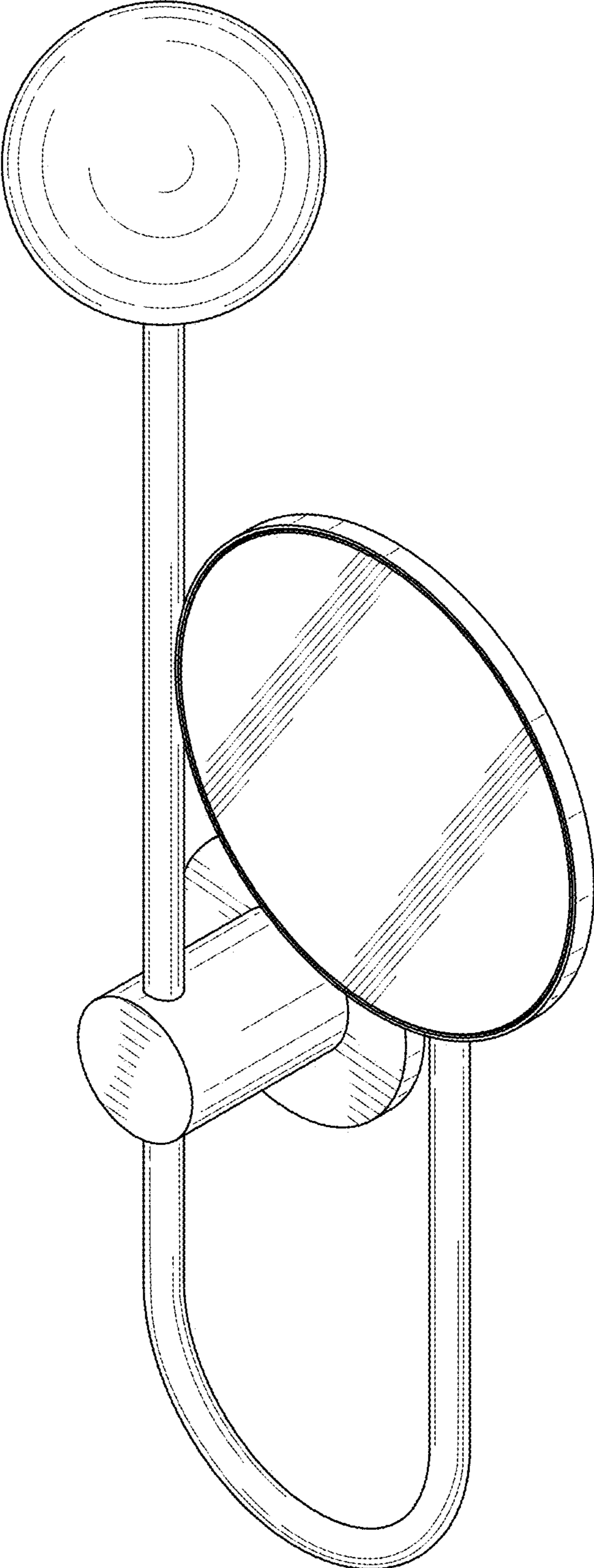


FIG. 1

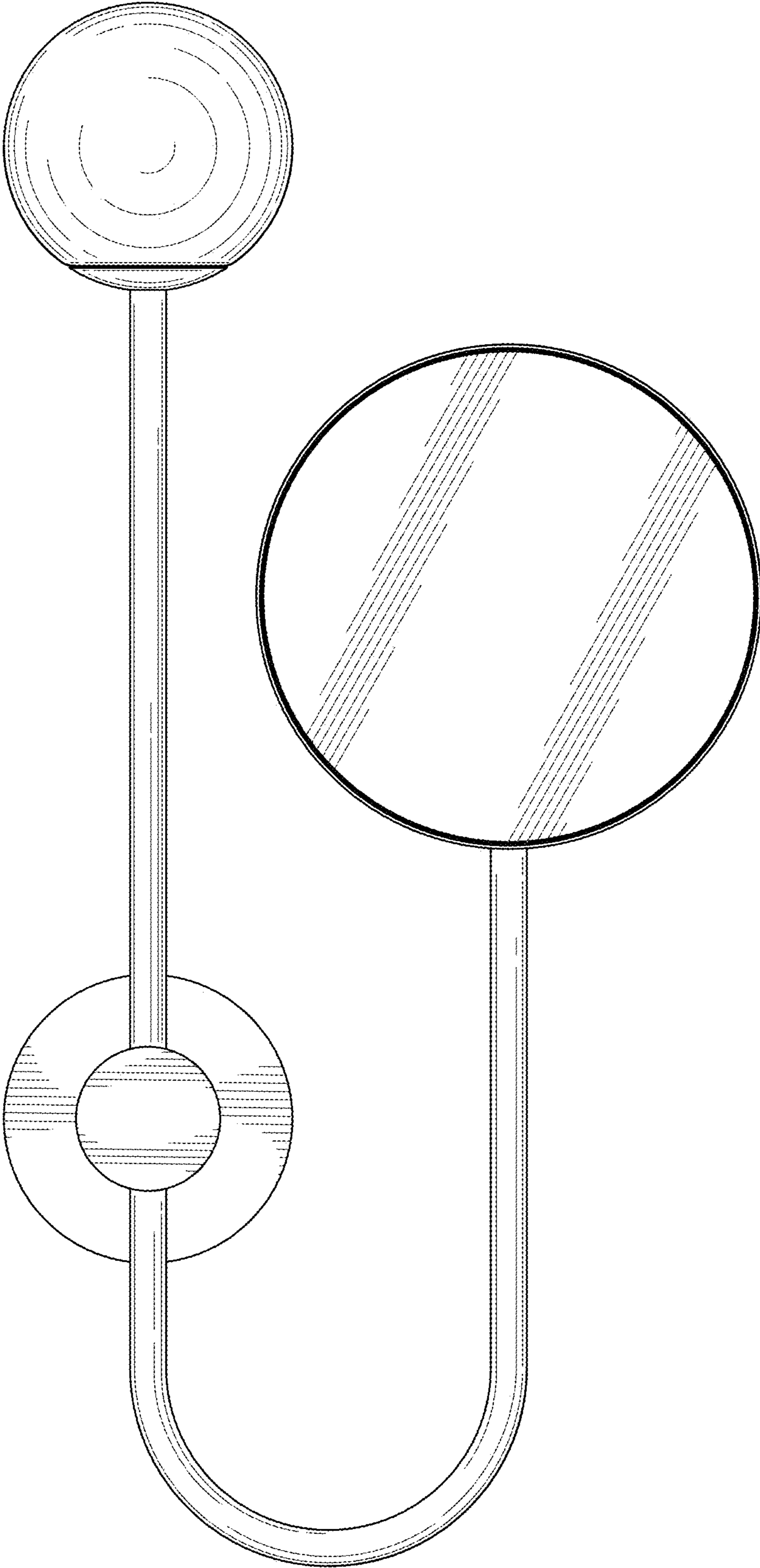


FIG. 2

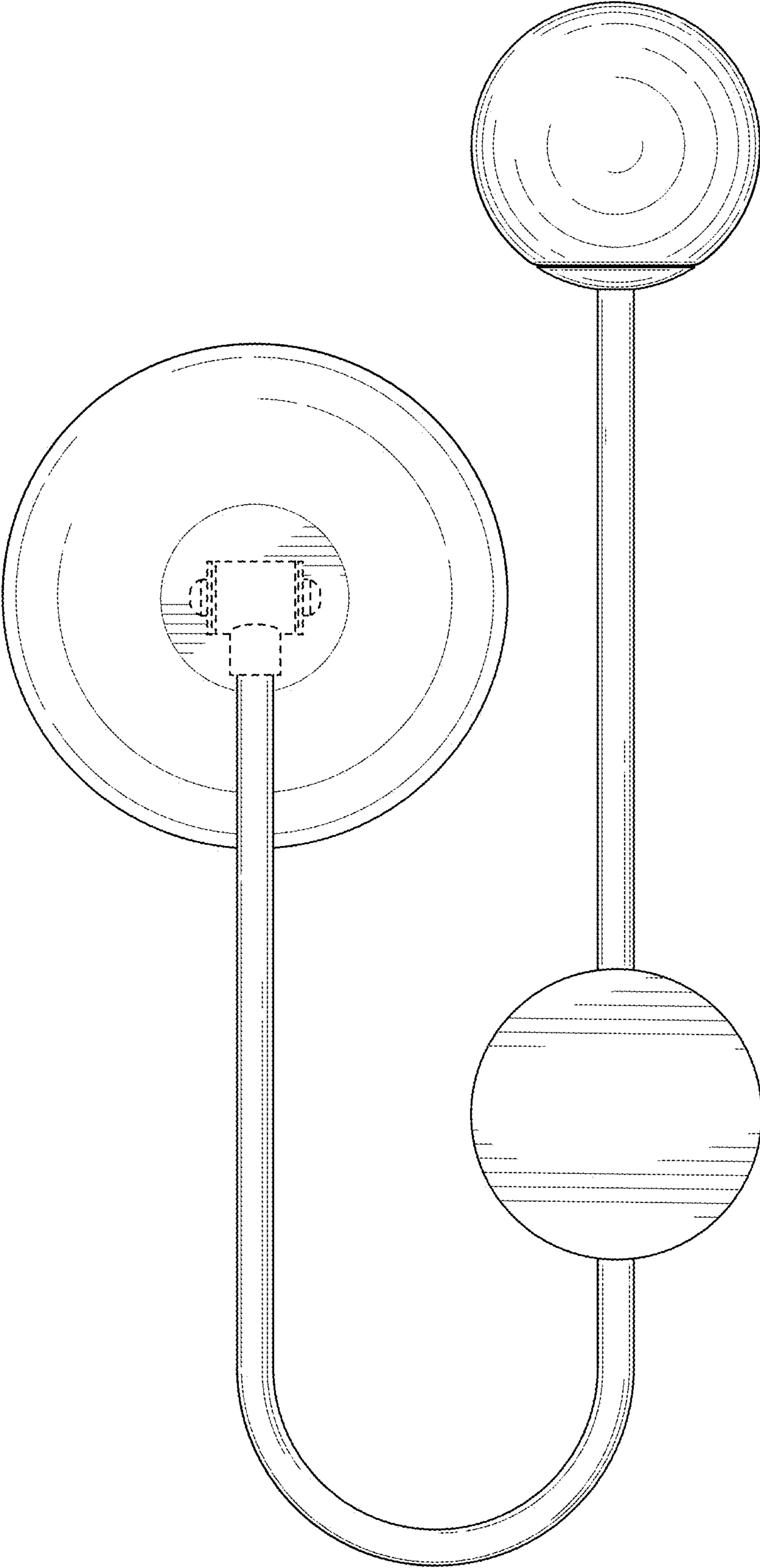


FIG. 3

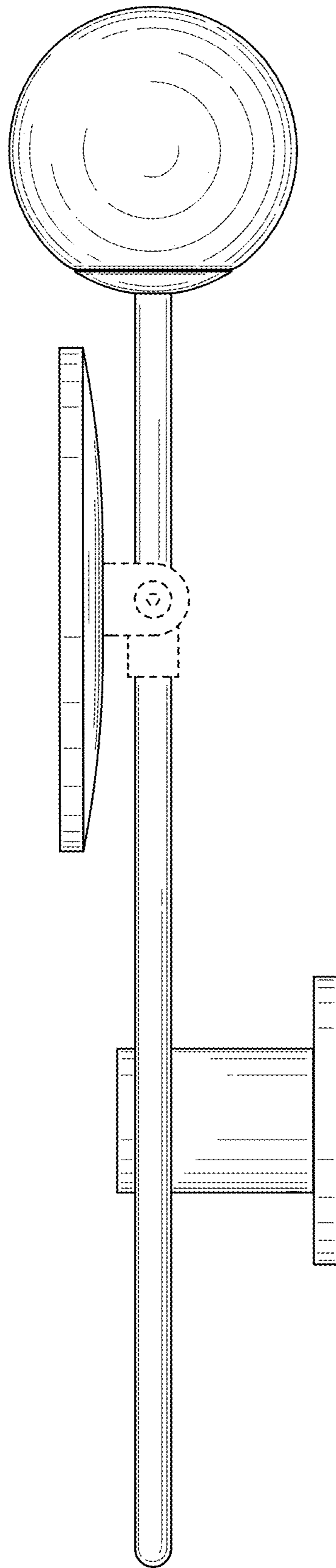


FIG. 4

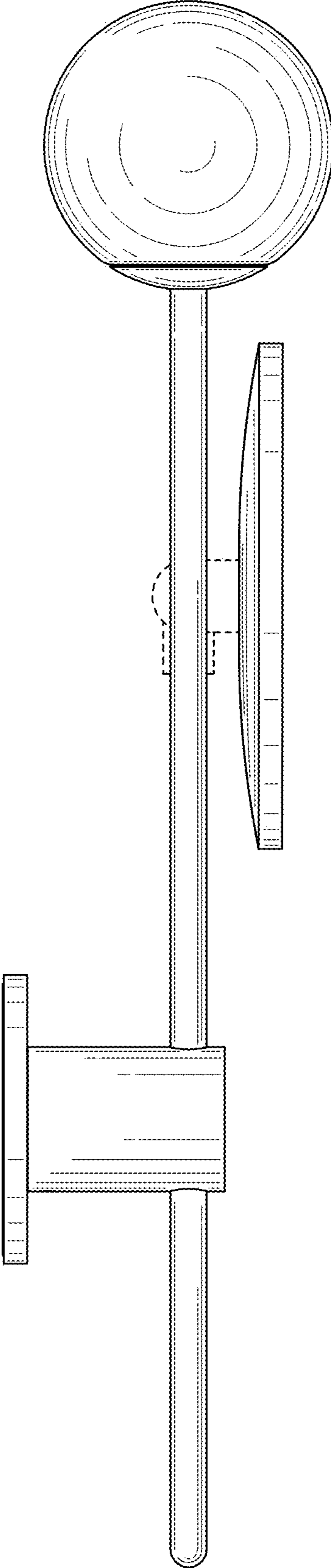


FIG. 5

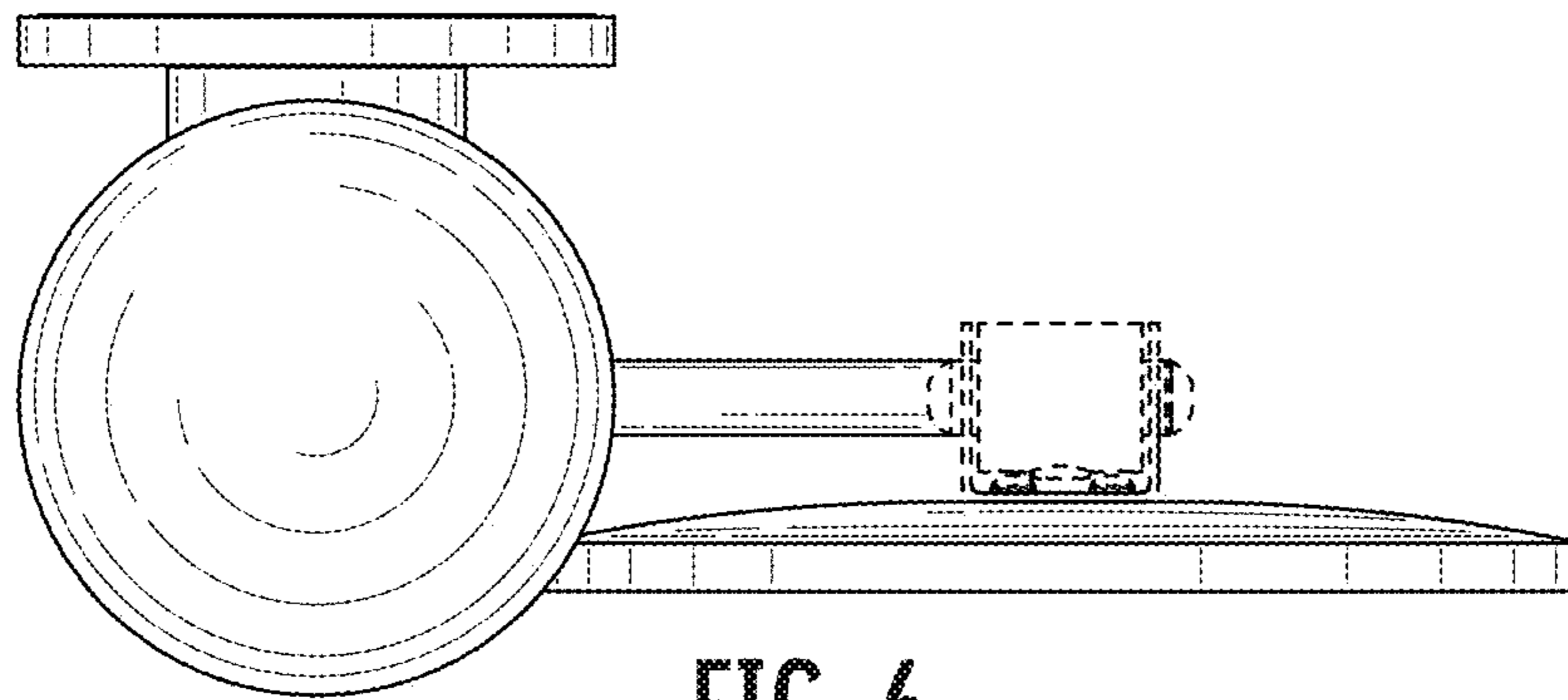


FIG. 6

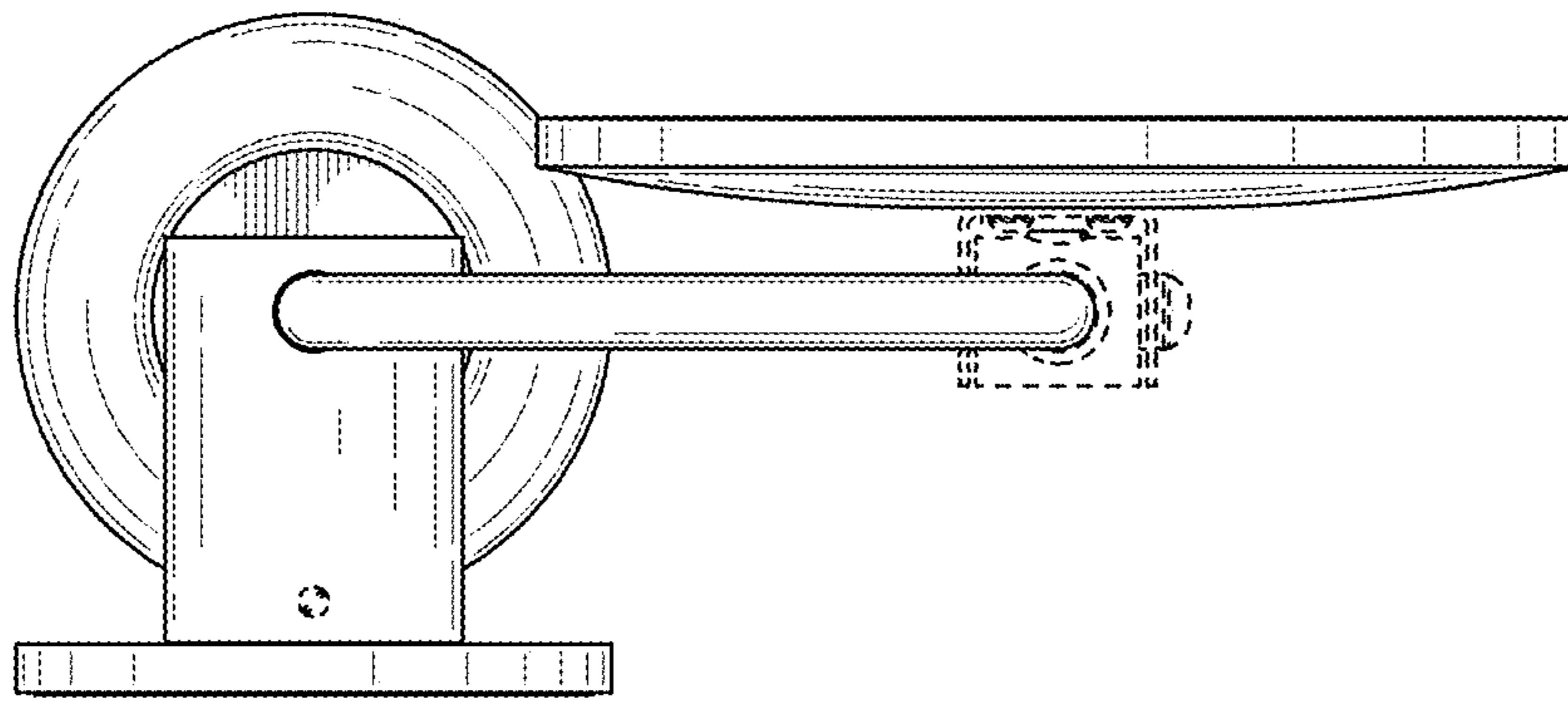


FIG. 7

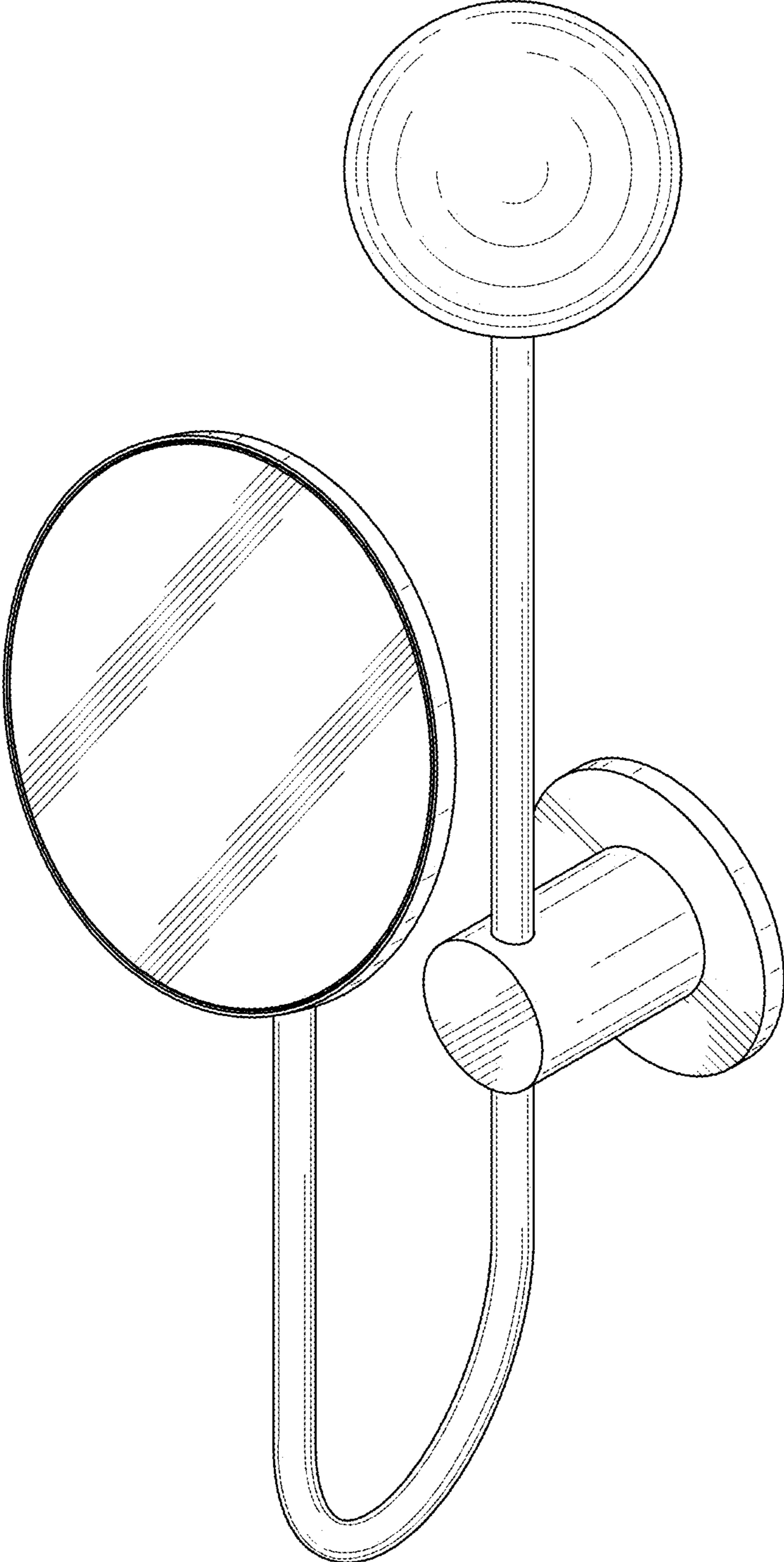


FIG. 8