



US00D918602S

(12) **United States Design Patent** (10) **Patent No.:** **US D918,602 S**
Chen (45) **Date of Patent:** **** May 11, 2021**

(54) **VANITY MIRROR**

FOREIGN PATENT DOCUMENTS

(71) Applicant: **EKO DEVELOPMENT LTD.,**
Guangzhou (CN)

CN 305058102 * 3/2019
DE 102004042929 A1 3/2006
JP D1648097 * 12/2019

(72) Inventor: **Yizhi Chen,** Guangzhou (CN)

Primary Examiner — Deanna L Pratt

(73) Assignee: **EKO Development Limited,**
Guangzhou (CN)

(74) *Attorney, Agent, or Firm* — William Dippert;
Laurence Greenberg; Werner Stemer

(**) Term: **15 Years**

(57) **CLAIM**

The ornamental design for a vanity mirror, as shown and described.

(21) Appl. No.: **29/678,681**

DESCRIPTION

(22) Filed: **Jan. 30, 2019**

(51) **LOC (13) Cl.** **06-07**

(52) **U.S. Cl.**
USPC **D6/309; D6/312**

(58) **Field of Classification Search**
USPC D6/300, 301, 308, 309, 310, 312
CPC A47G 1/00; A47G 1/0633; A47G 1/0622;
A47G 1/04; A47G 2200/08; A47G
2200/085; A45D 42/20; F21V 33/004
See application file for complete search history.

FIG. 1 is a perspective view of the vanity mirror of my new design.

FIG. 2 is a top plan view thereof.

FIG. 3 is a rear elevation view thereof.

FIG. 4 is a right-side elevation view thereof.

FIG. 5 is a front elevation view thereof.

FIG. 6 is a bottom plan view thereof.

FIG. 7 is a left-side elevation view thereof.

FIG. 8 is another perspective view thereof, shown in an alternate position of use.

FIG. 9 is a front elevation view thereof.

FIG. 10 is a top plan view thereof.

FIG. 11 is a rear elevation view thereof.

FIG. 12 is a right-side elevation view thereof, where the left-side elevation view thereof will be the reverse.

FIG. 13 is another perspective view thereof, shown in another alternate position of use.

FIG. 14 is a top plan view thereof.

FIG. 15 is a front elevation view thereof.

FIG. 16 is a right-side elevation view thereof, where the left-side elevation view thereof will be the reverse; and,

FIG. 17 is a rear elevation view thereof.

The broken lines in the drawings represent portions of the vanity mirror that are for illustrative purposes only and do not form a part of the claimed design.

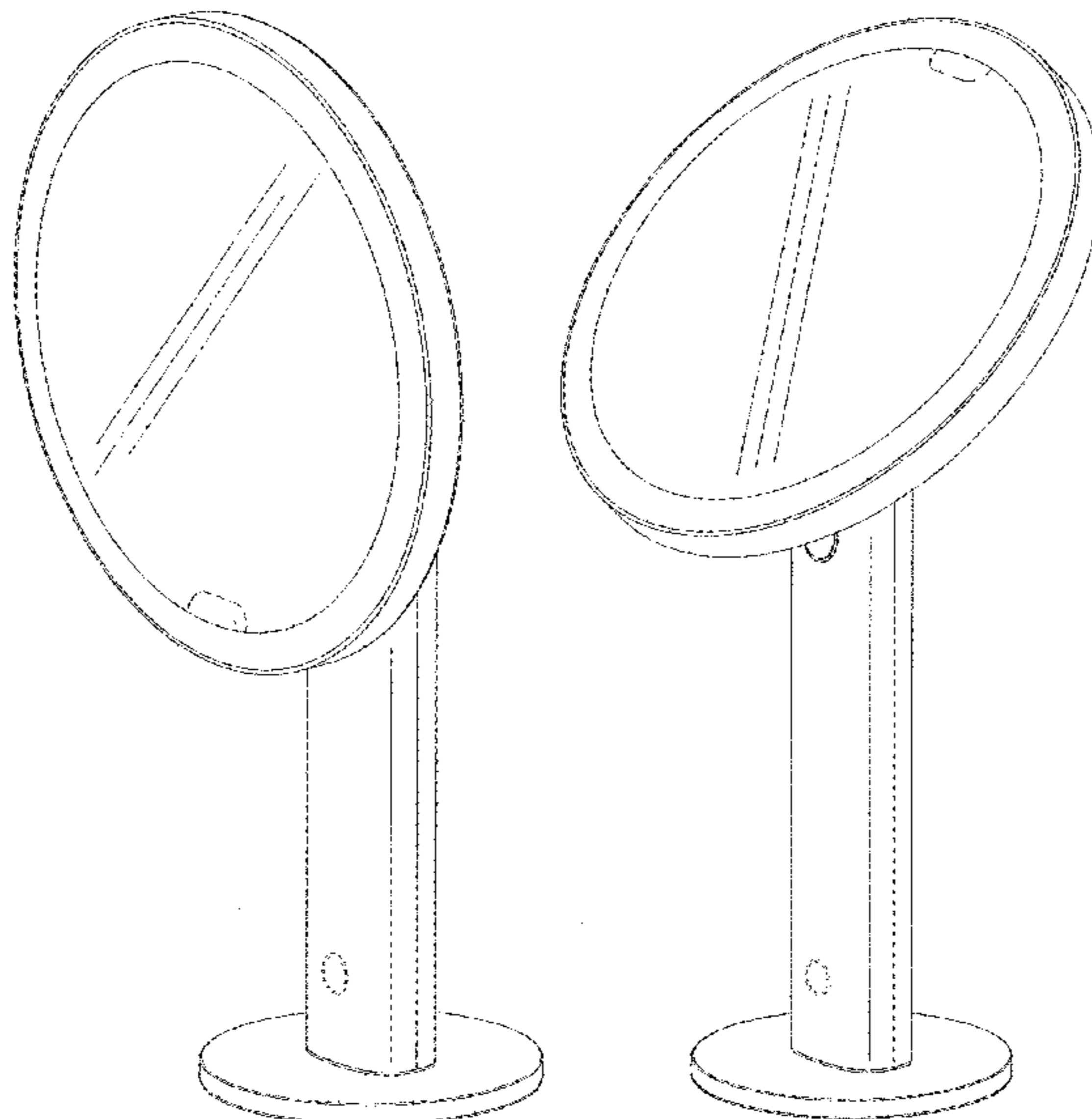
(56) **References Cited**

U.S. PATENT DOCUMENTS

D509,369 S 9/2005 Snell
7,048,406 B1 5/2006 Shih
D699,448 S 2/2014 Yang et al.
D699,952 S 2/2014 Yang et al.
D701,050 S 3/2014 Yang et al.
D736,001 S 8/2015 Yang et al.
D737,060 S 8/2015 Yang et al.
D751,829 S 3/2016 Yang et al.
D754,446 S 4/2016 Yang et al.
D785,345 S 5/2017 Yang et al.
9,638,410 B2 5/2017 Yang et al.
9,897,306 B2 2/2018 Yang et al.
D816,350 S 5/2018 Yang et al.
D835,723 S * 12/2018 Basha D20/41

(Continued)

1 Claim, 9 Drawing Sheets



(56)

References Cited

U.S. PATENT DOCUMENTS

D846,288	S	*	4/2019	Yang	D6/309
D850,125	S	*	6/2019	Wang	D6/309
D891,123	S	*	7/2020	Li	D6/310
D892,508	S	*	8/2020	Yang	D6/309
D895,306	S	*	9/2020	Liu	D6/310
D897,695	S	*	10/2020	Yang	D6/309
2010/0033988	A1		2/2010	Chiu et al.		

* cited by examiner

Fig. 1

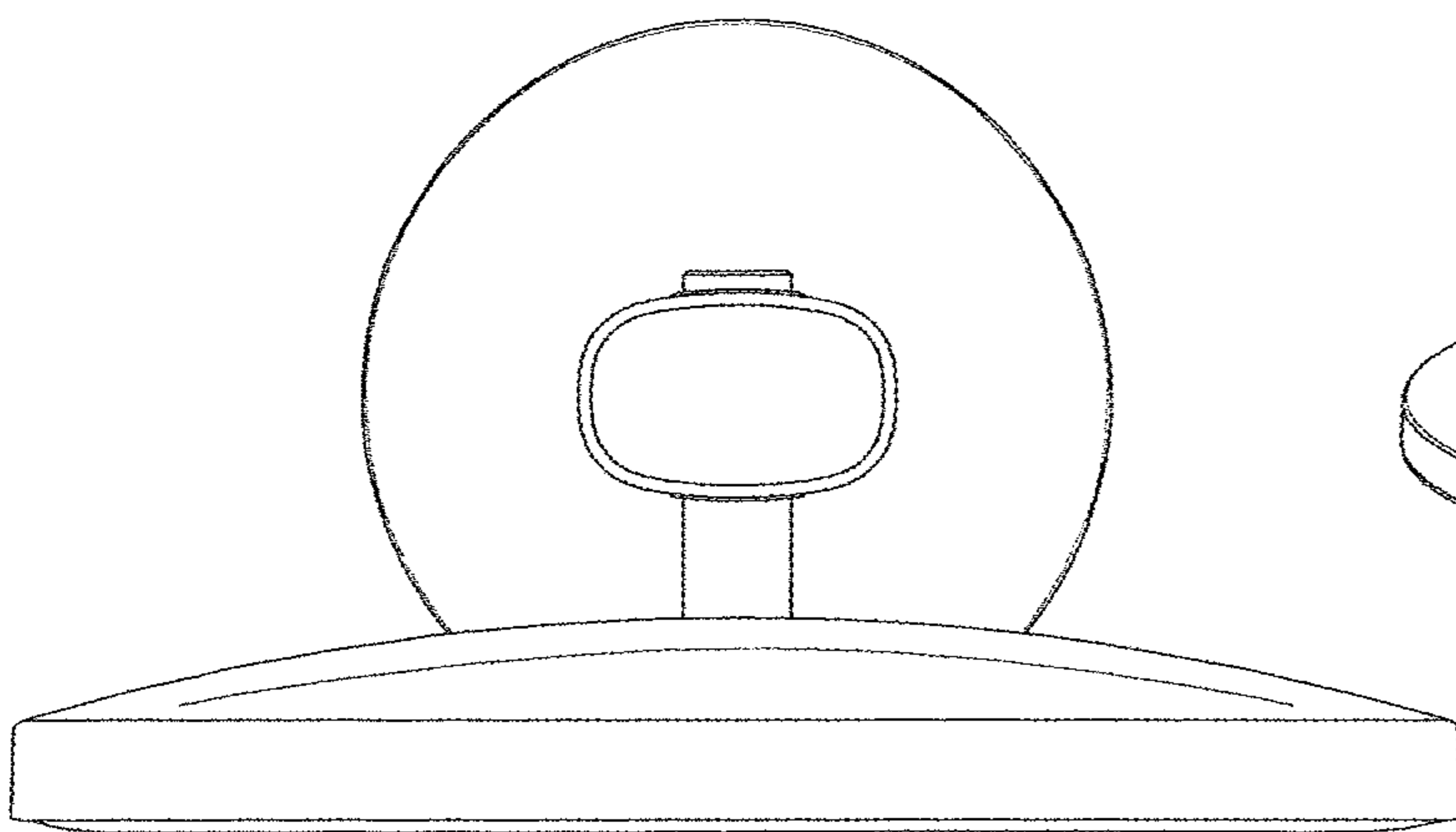
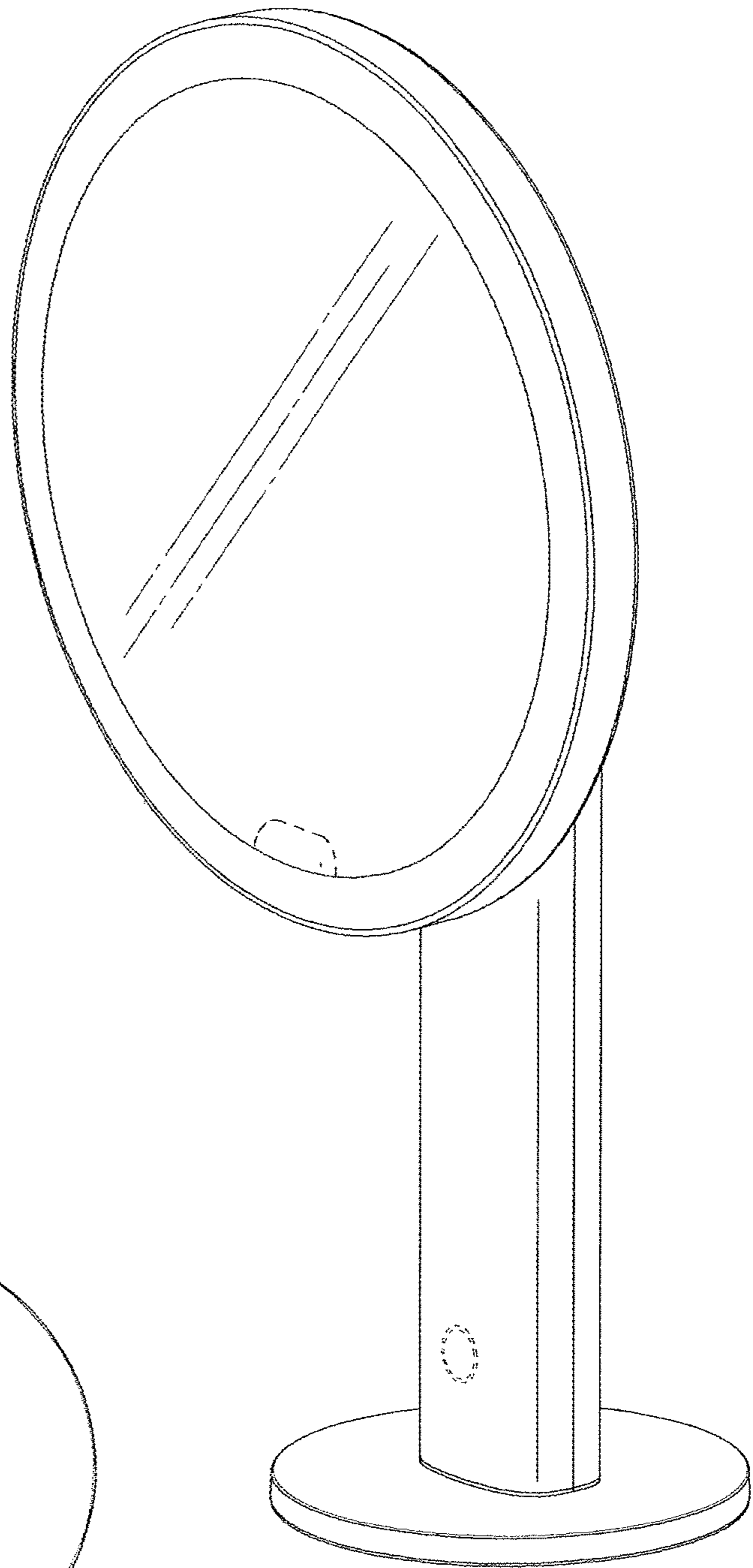


Fig. 2

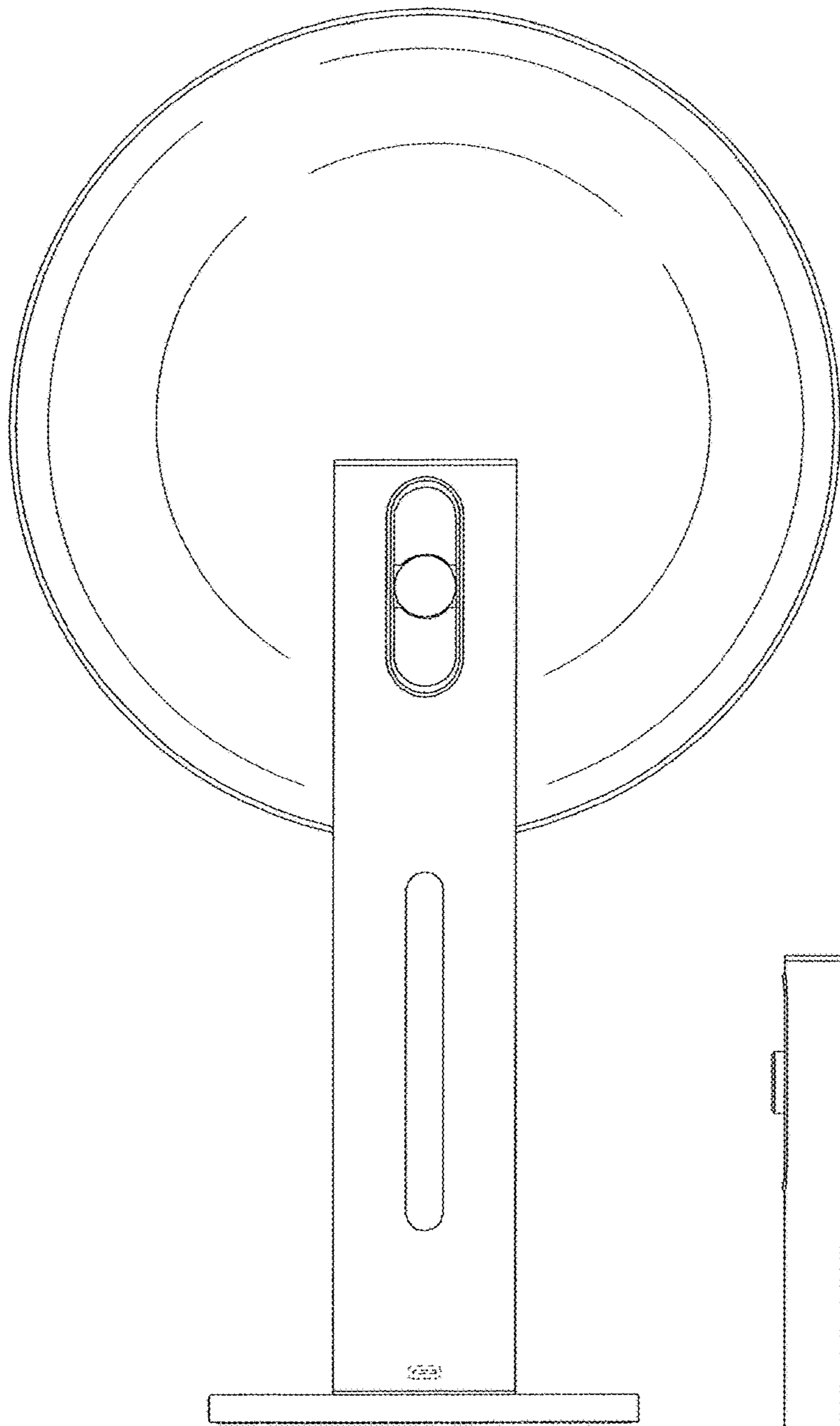


Fig. 3

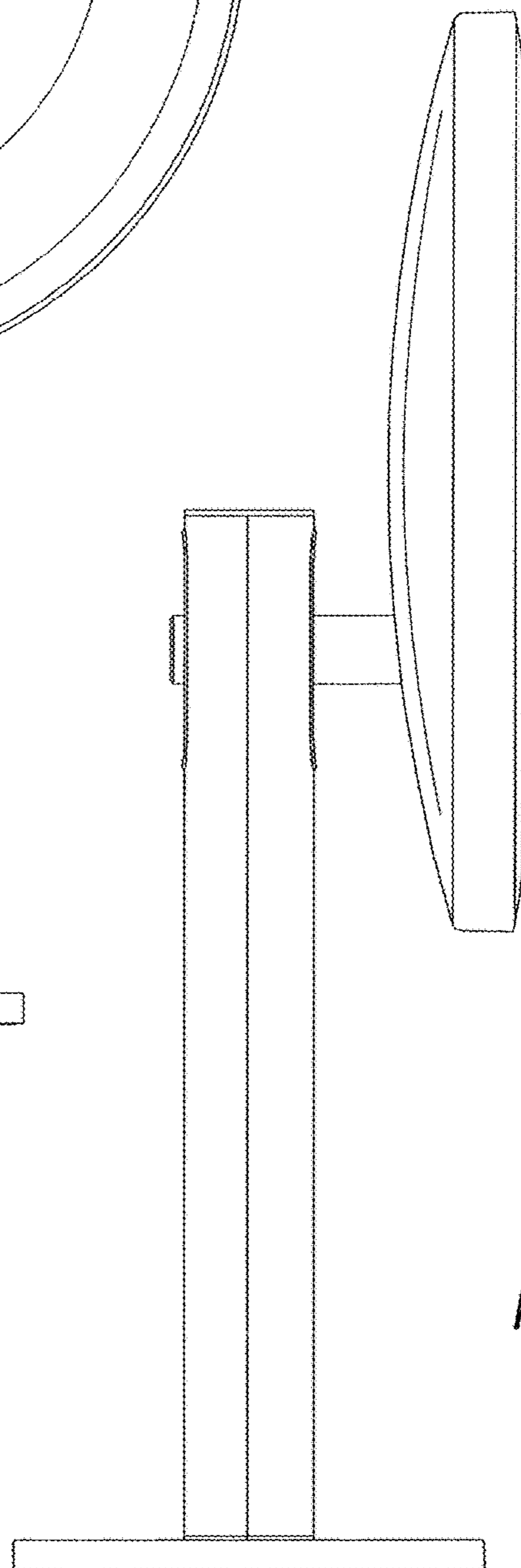


Fig. 4

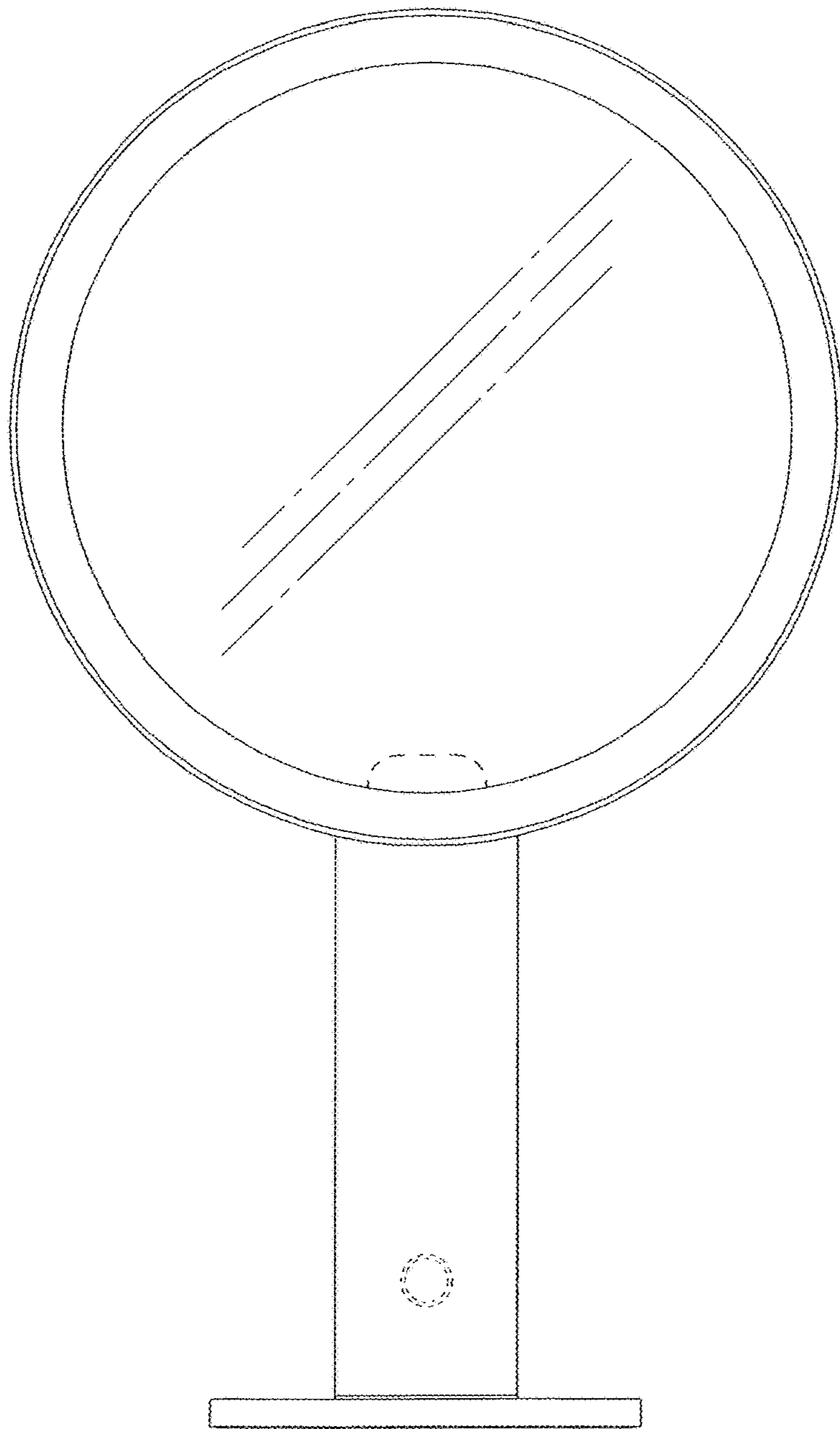


Fig. 5

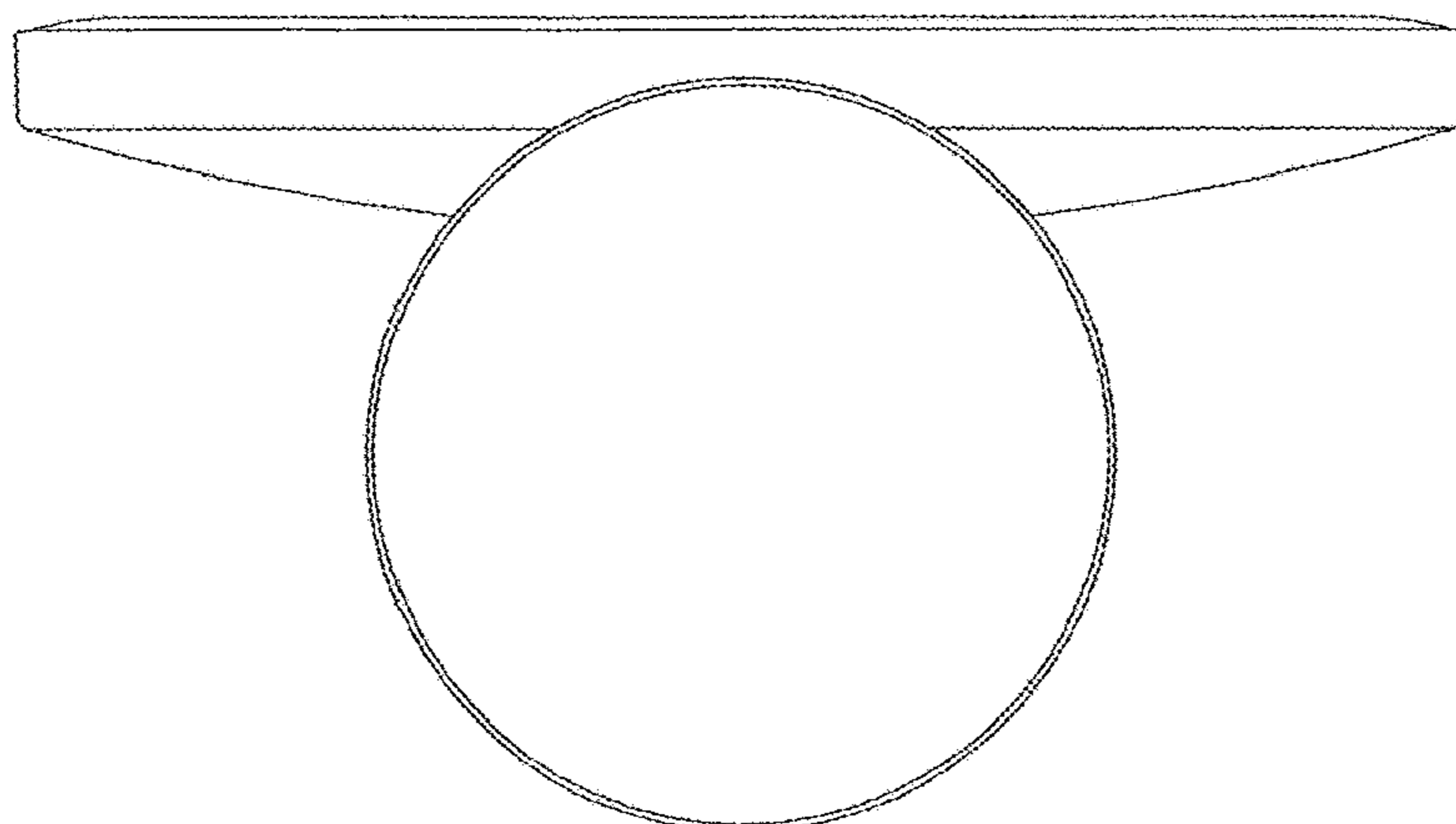


Fig. 6

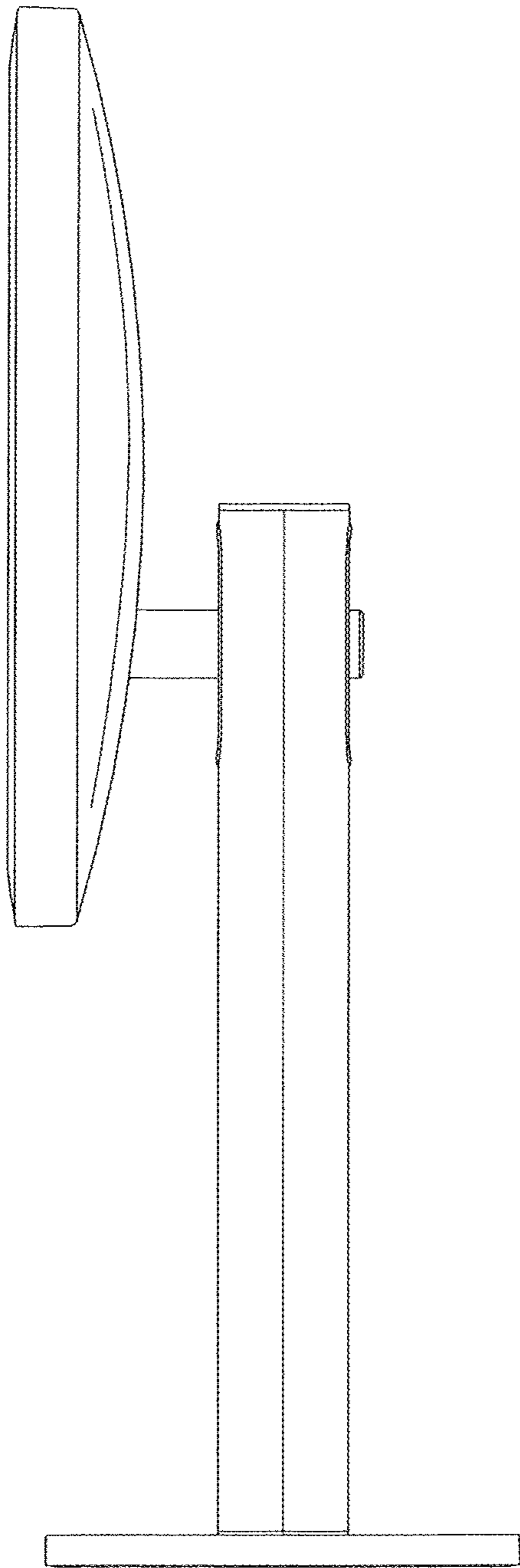


Fig. 7

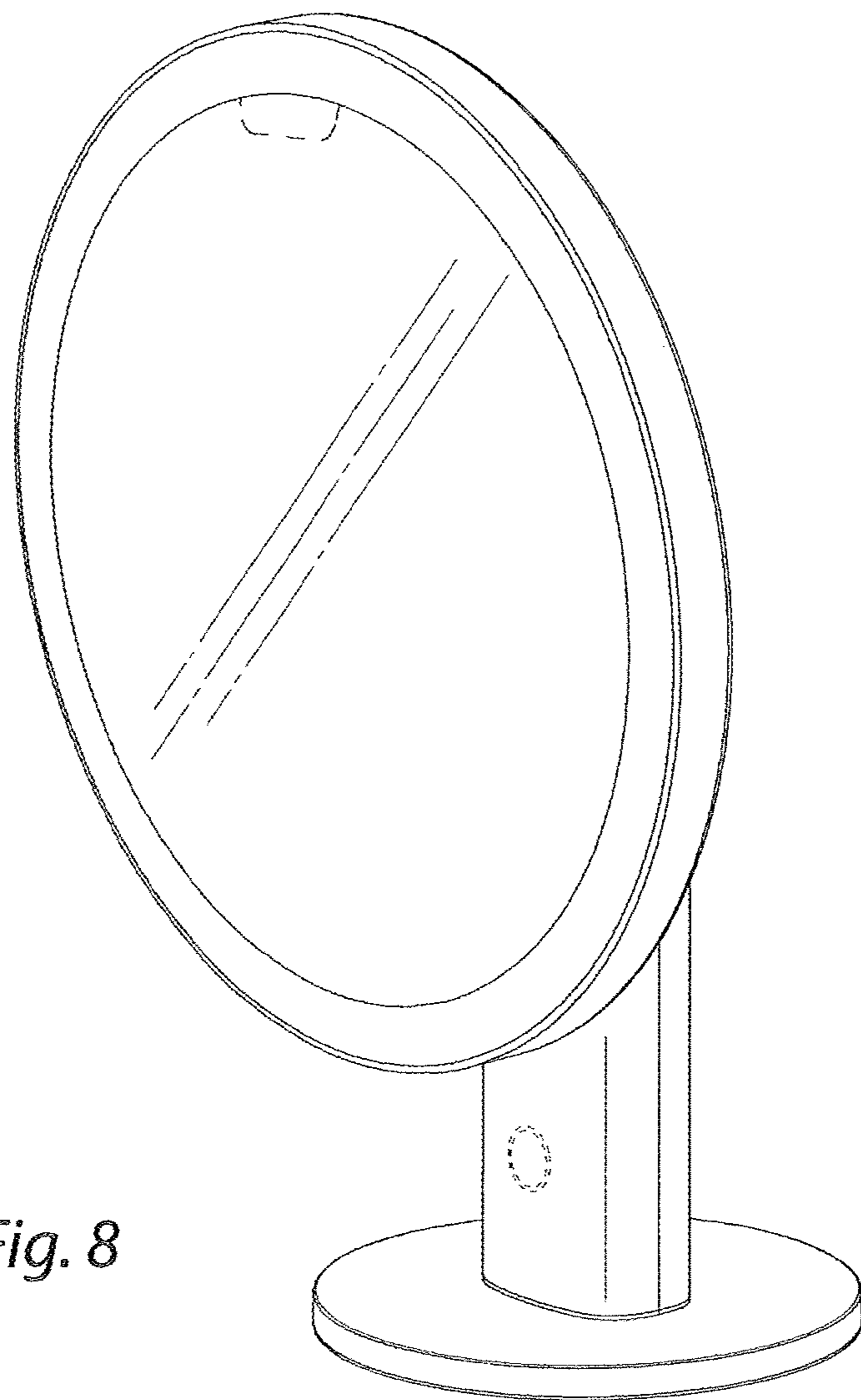


Fig. 8

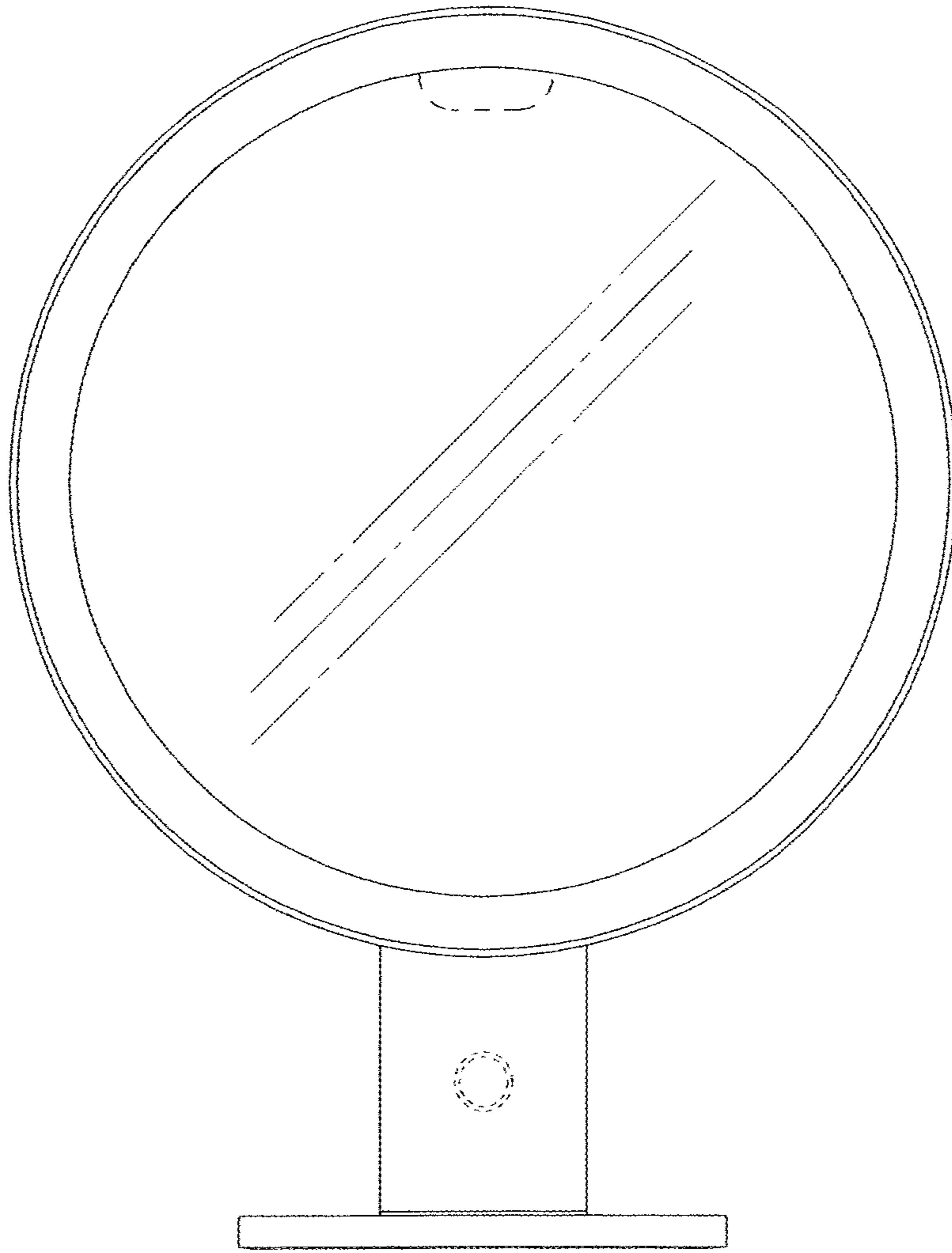


Fig. 9

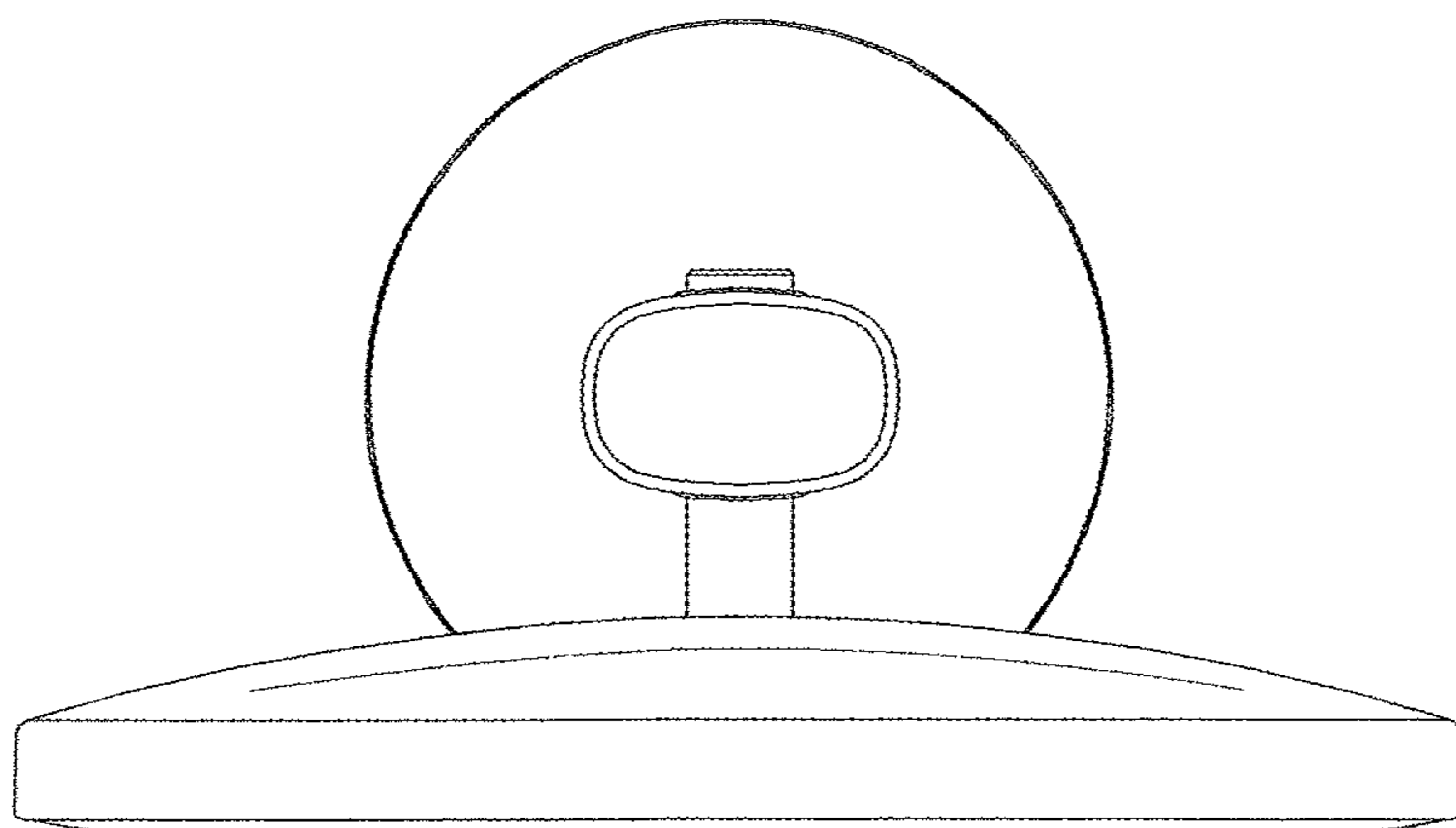


Fig. 10

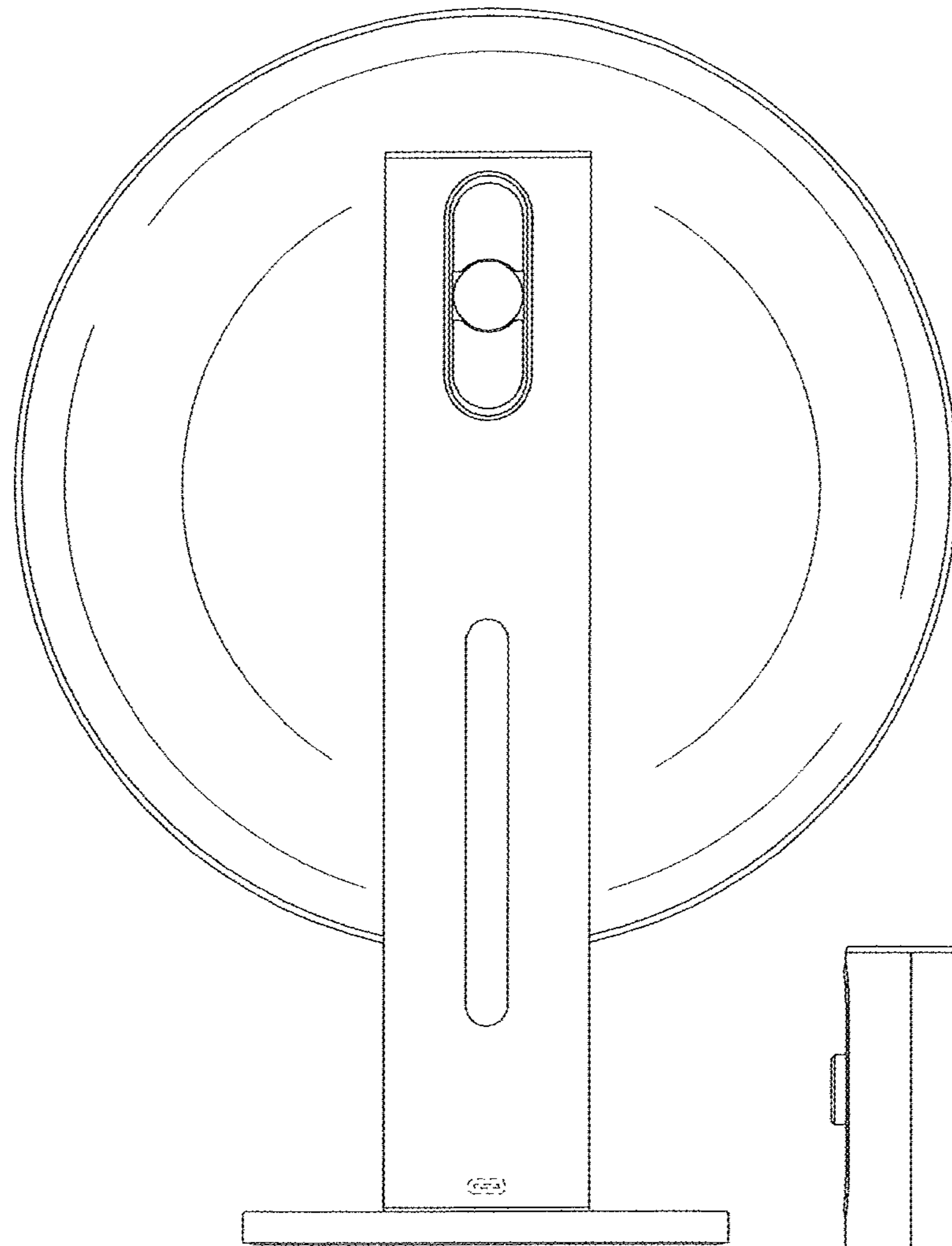
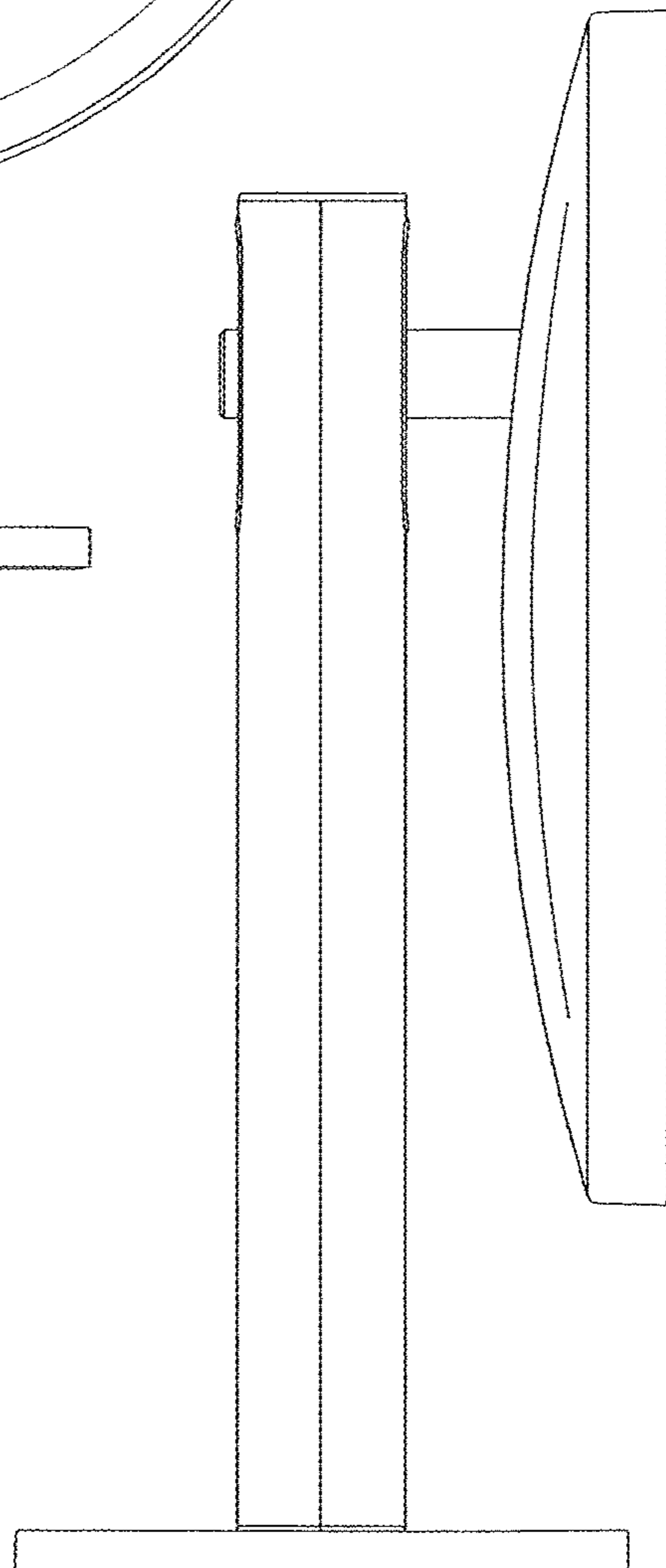


Fig. 11

Fig. 12



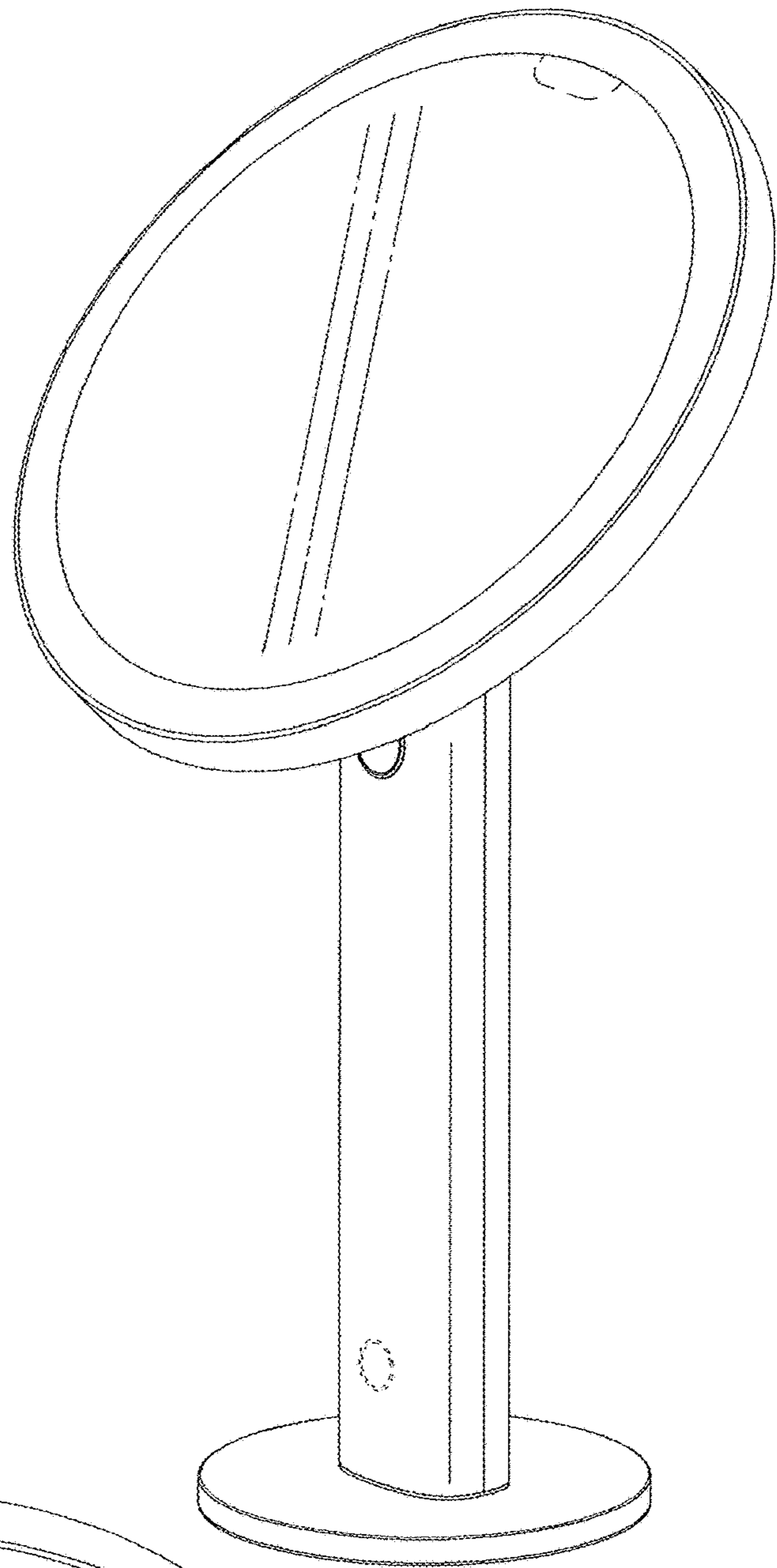


Fig. 13

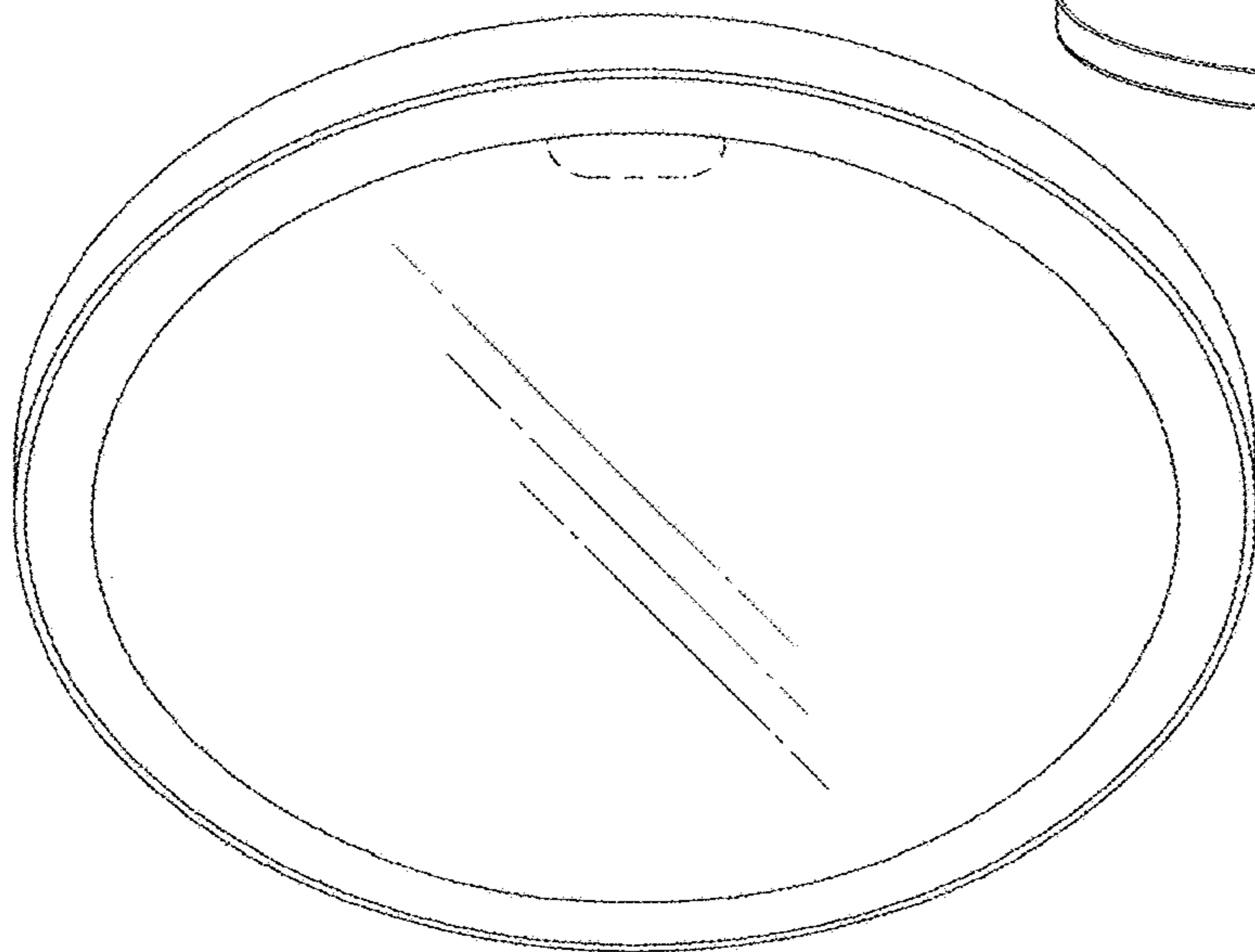


Fig. 14

Fig. 15

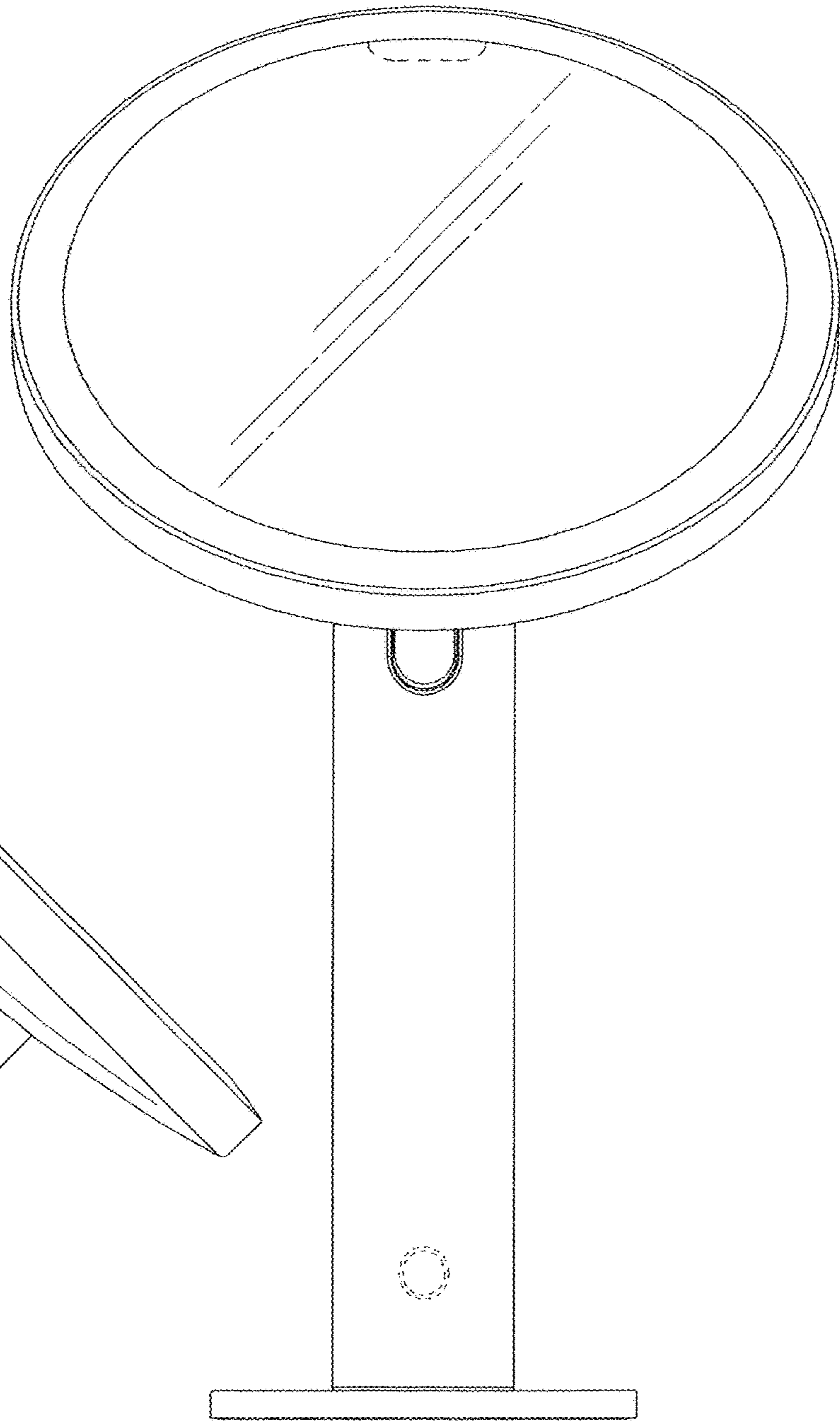
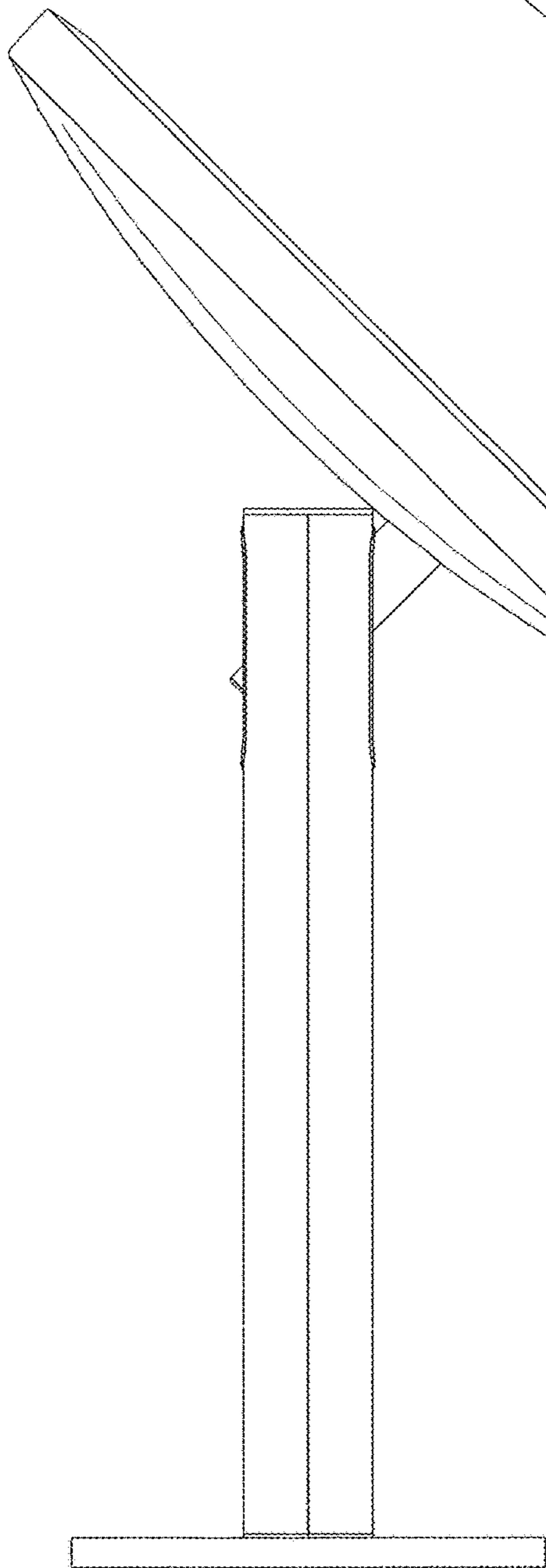


Fig. 16



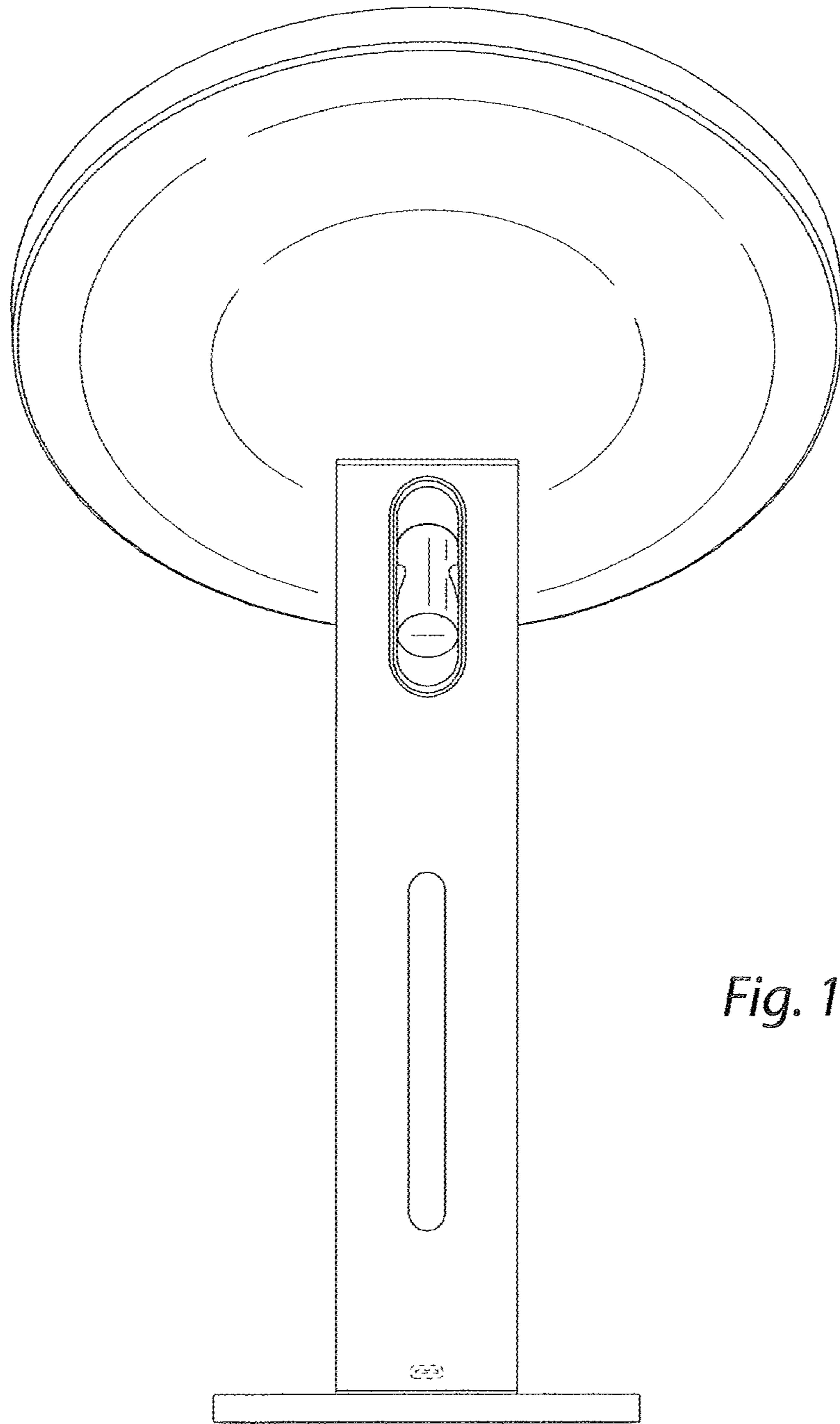


Fig. 17