



US00D918601S

(12) **United States Design Patent**
Liu

(10) **Patent No.:** **US D918,601 S**

(45) **Date of Patent:** **** May 11, 2021**

(54) **MIRROR**

EM 008168884-001 * 9/2020
EM 008168884-002 * 9/2020

(71) Applicant: **ShenZhen JianYuanDa Mirror Technology Co., Ltd, Shenzhen (CN)**

* cited by examiner

(72) Inventor: **Changwei Liu, ShenZhen (CN)**

Primary Examiner — Deanna L Pratt

(**) Term: **15 Years**

(57) **CLAIM**

(21) Appl. No.: **29/750,523**

The ornamental design for a mirror, as shown and described.

(22) Filed: **Sep. 15, 2020**

DESCRIPTION

(51) **LOC (13) Cl.** **06-07**

(52) **U.S. Cl.**
USPC **D6/300**

(58) **Field of Classification Search**
USPC D6/300–314
CPC .. A47G 1/00; A47G 2001/002; F21V 33/004;
A45D 42/10
See application file for complete search history.

(56) **References Cited**

U.S. PATENT DOCUMENTS

D407,119 S	*	3/1999	Kwan	D20/21
D879,480 S	*	3/2020	Yang	D6/308
D882,279 S	*	4/2020	Zhu	D6/308
D889,856 S	*	7/2020	Liu	D6/310
D895,306 S		9/2020	Liu		
D898,384 S	*	10/2020	Liu	D6/308

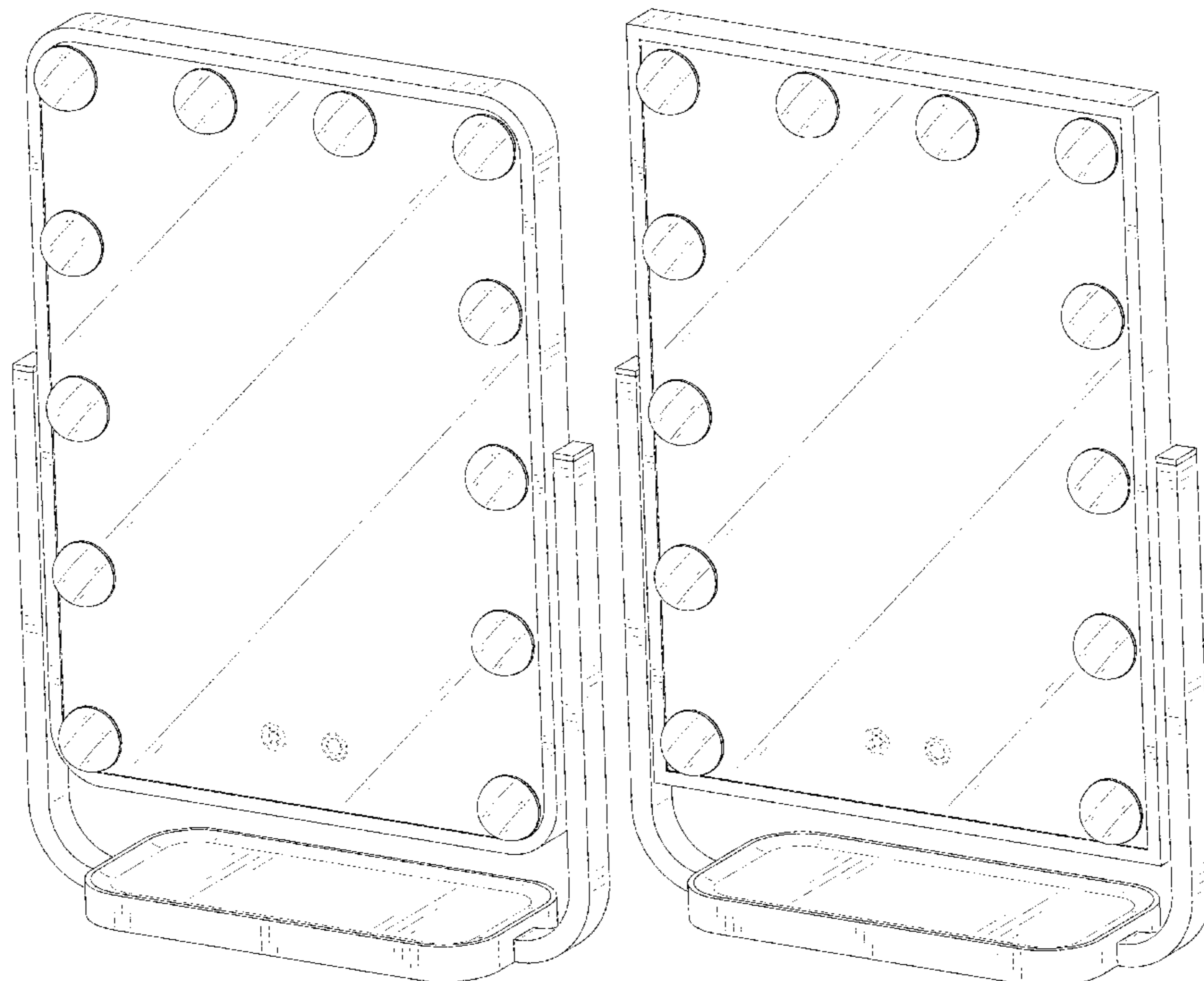
FOREIGN PATENT DOCUMENTS

CN	306271363	*	1/2021
CN	30640233	*	2/2021

FIG. 1 is a front and top perspective view of a first embodiment of a mirror, showing my new design;
FIG. 2 is a back and bottom perspective view thereof;
FIG. 3 is a front view thereof;
FIG. 4 is a back view thereof;
FIG. 5 is a left side view thereof;
FIG. 6 is a right side view thereof;
FIG. 7 is a top view thereof;
FIG. 8 is a bottom view thereof;
FIG. 9 is a front and top perspective view of a second embodiment of the mirror;
FIG. 10 is a back and bottom perspective view thereof;
FIG. 11 is a front view thereof;
FIG. 12 is a back view thereof;
FIG. 13 is a left side view thereof;
FIG. 14 is a right side view thereof;
FIG. 15 is a top view thereof; and,
FIG. 16 is a bottom view thereof.

The broken lines in the figures illustrate portions of the mirror that form no part of the claimed design.

1 Claim, 16 Drawing Sheets



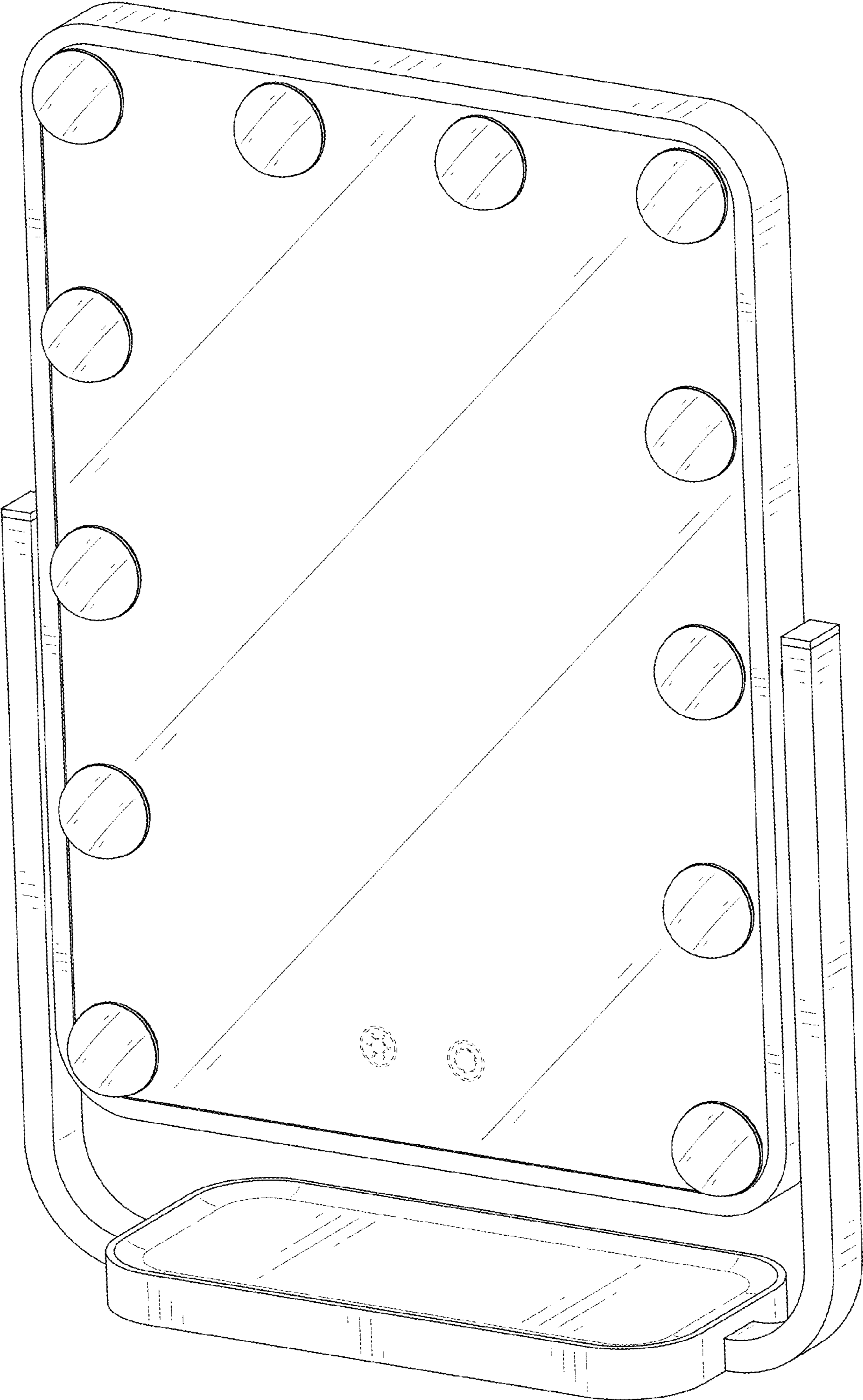


FIG. 1

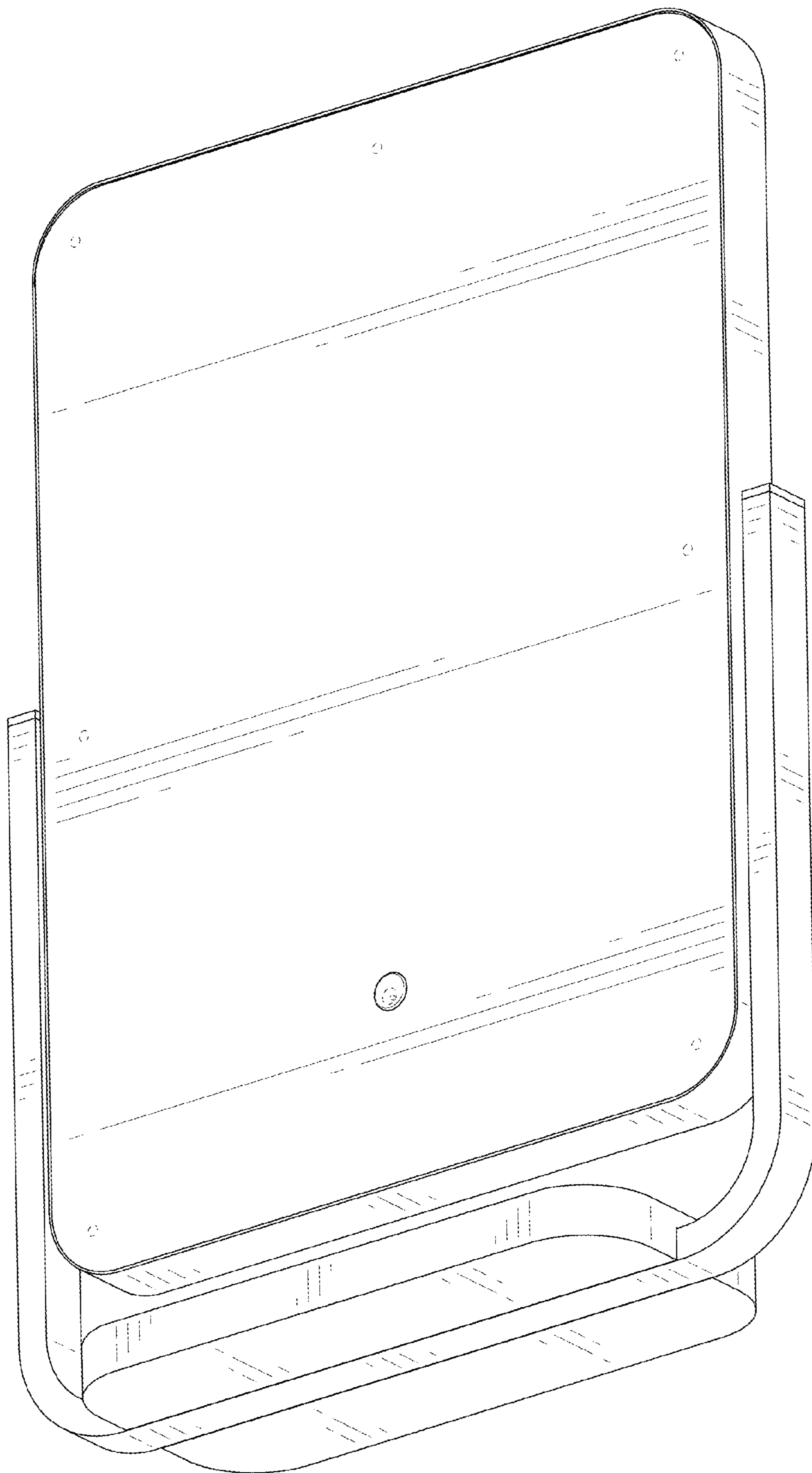


FIG. 2

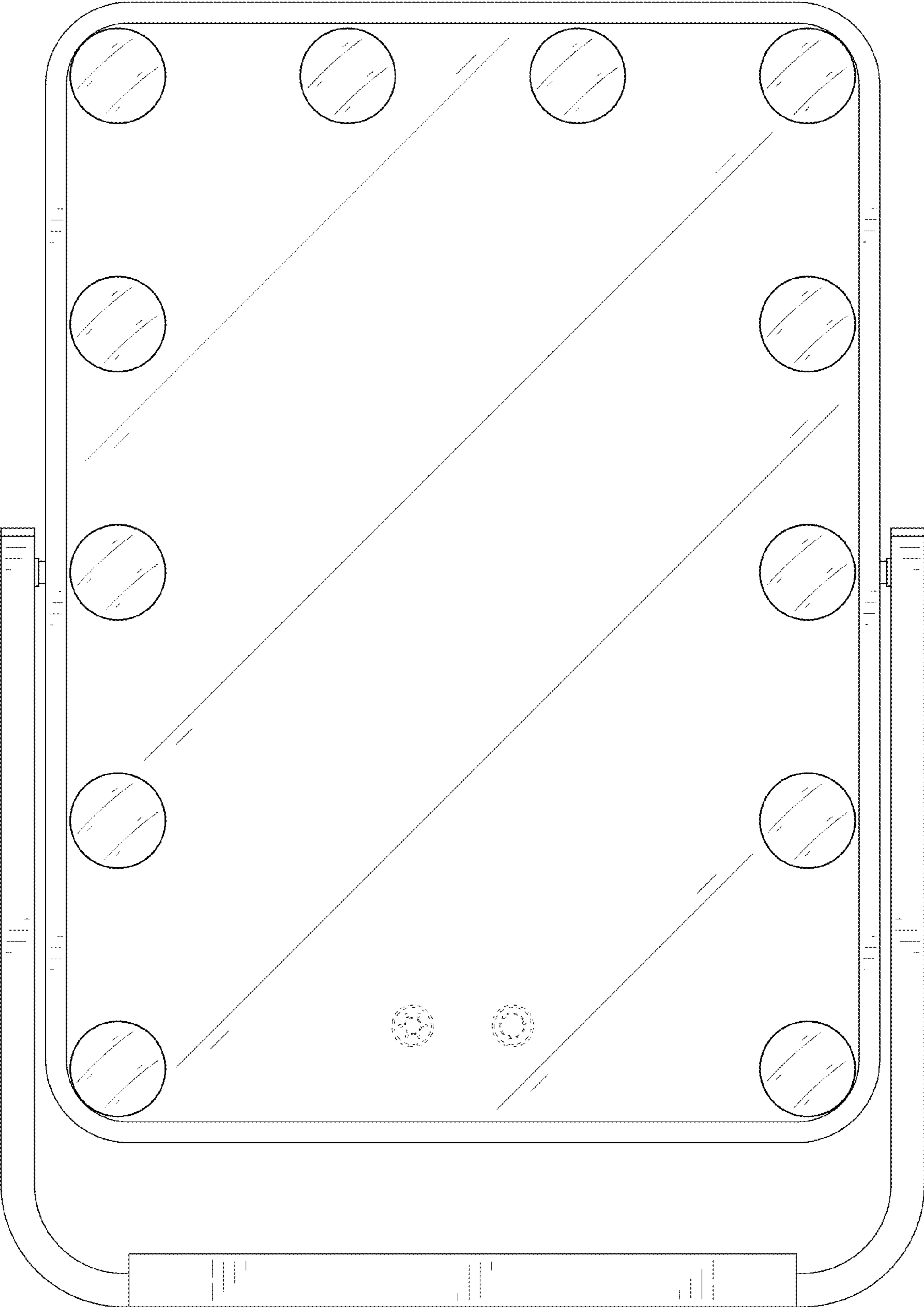


FIG. 3

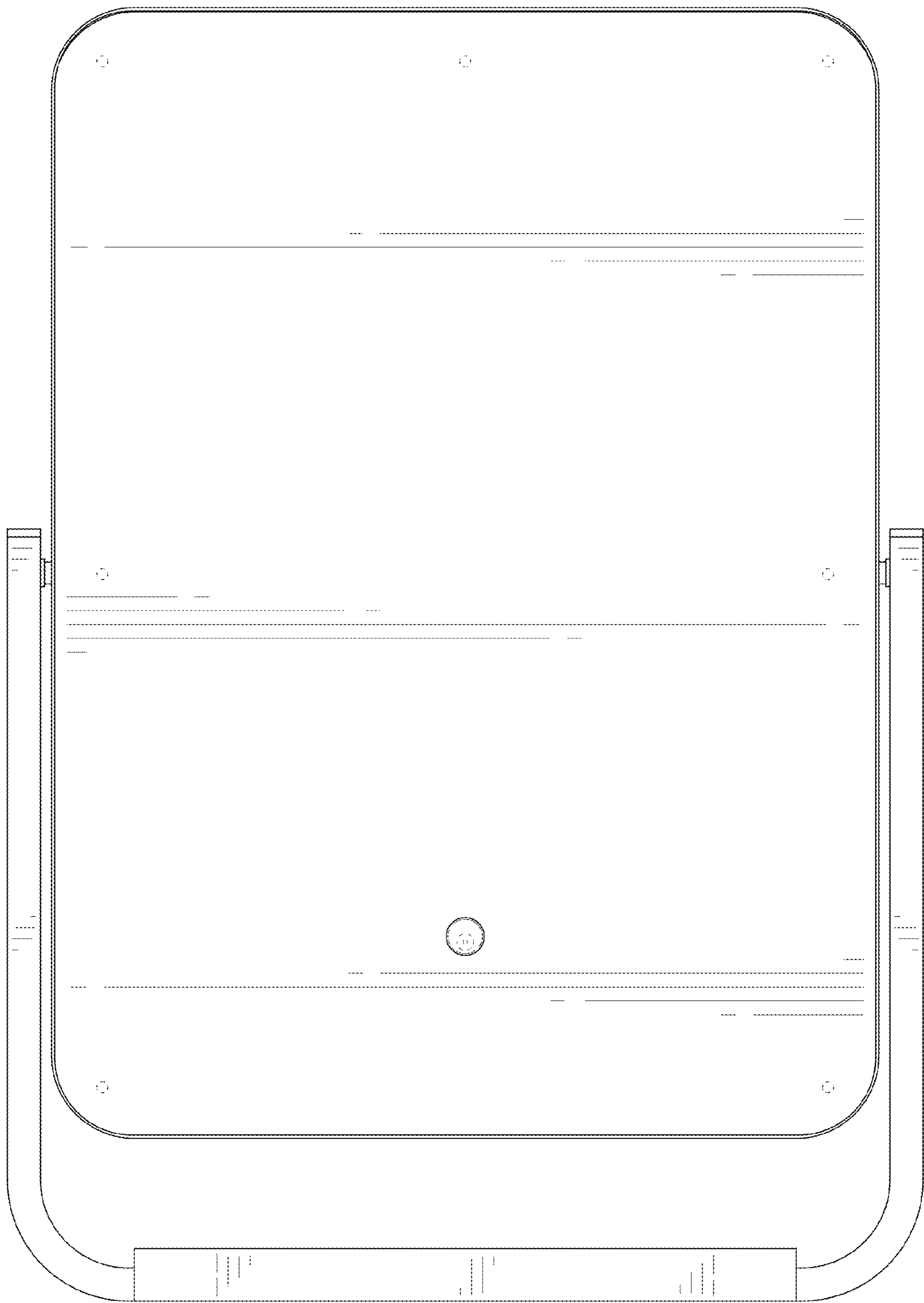


FIG. 4

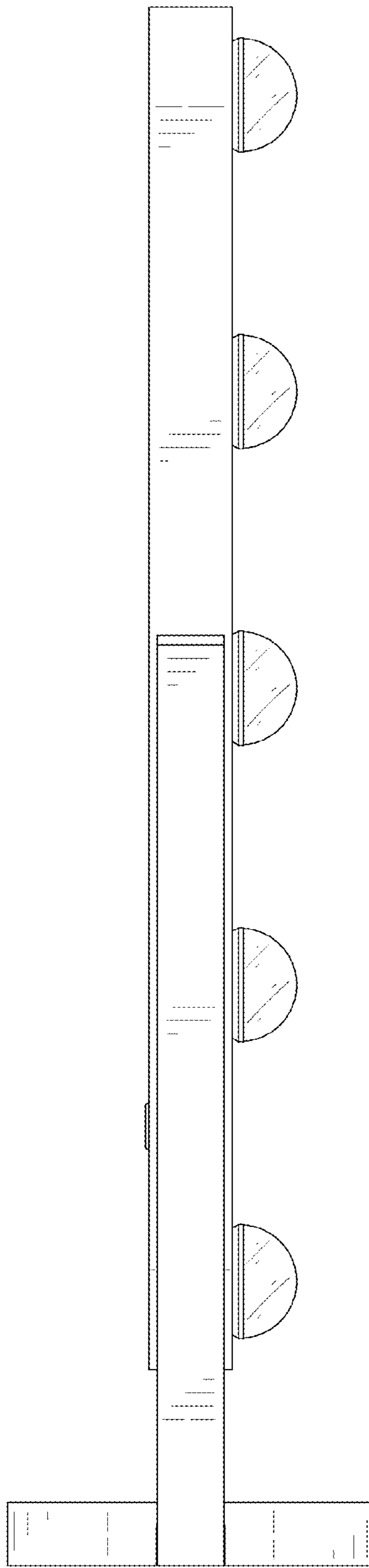


FIG. 5

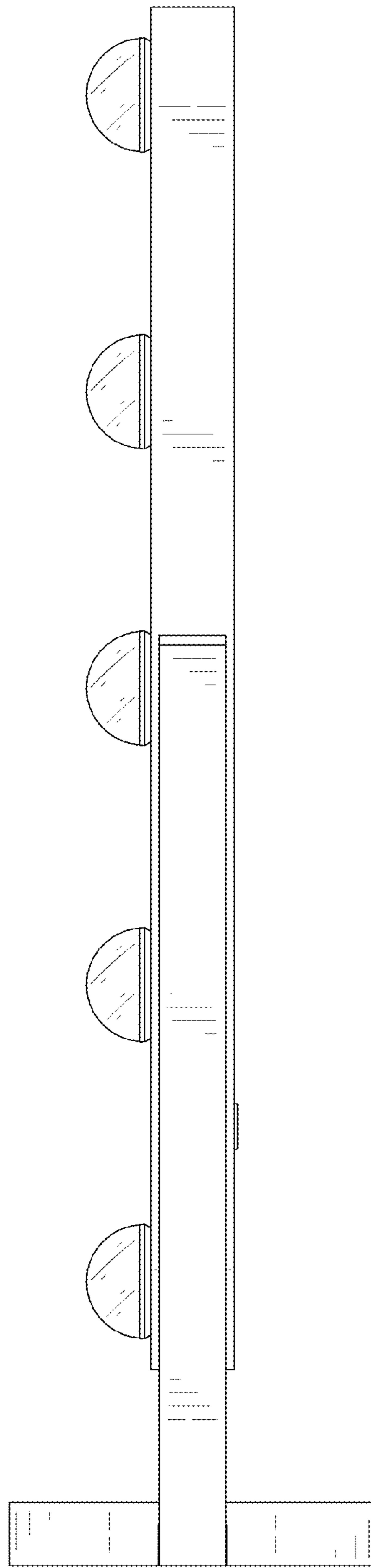


FIG. 6

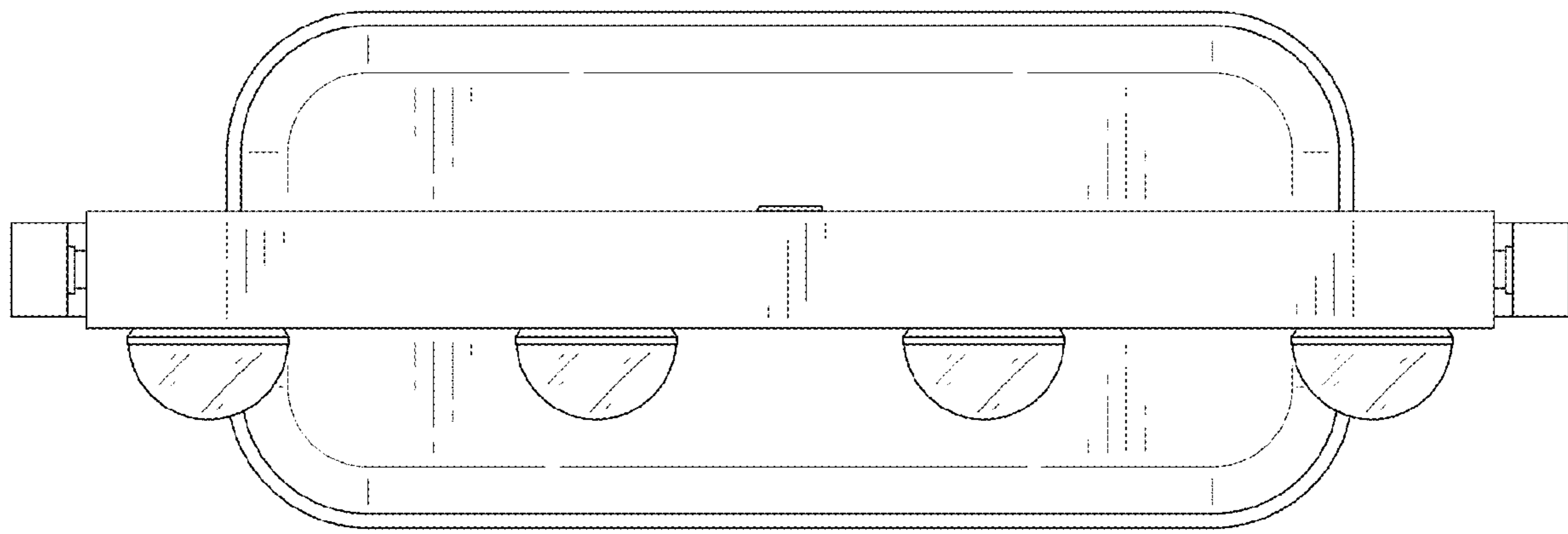


FIG. 7



FIG. 8

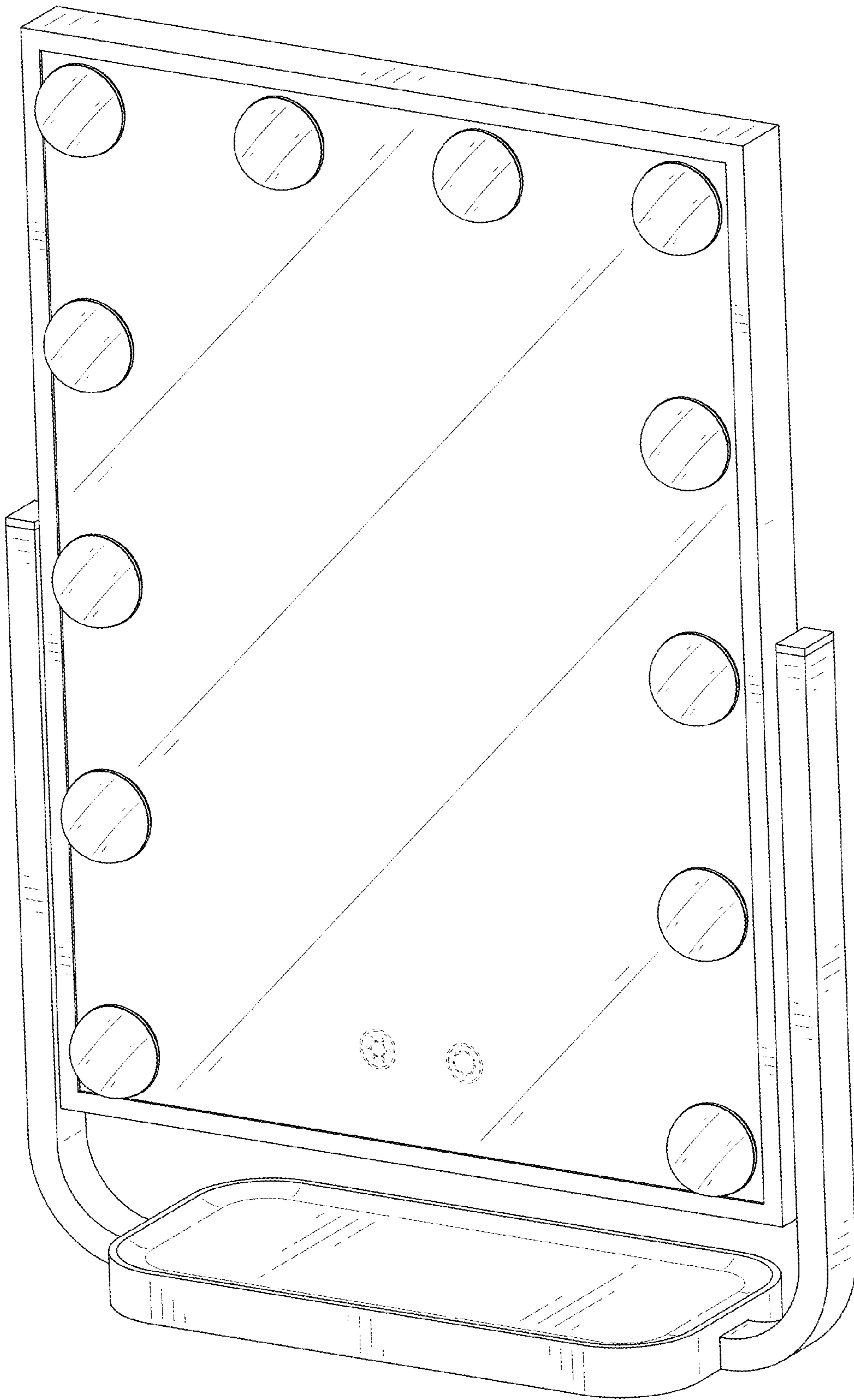


FIG. 9

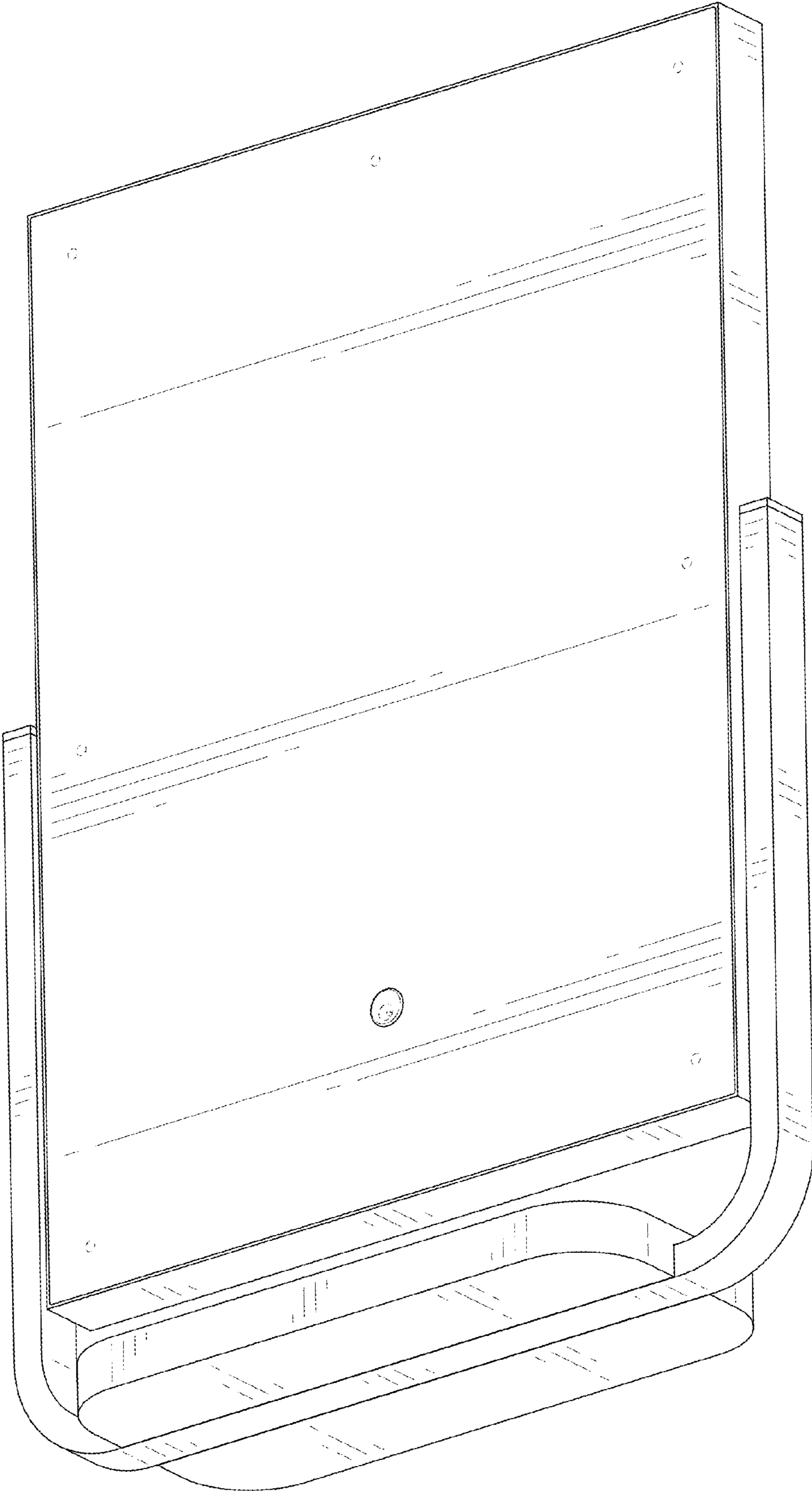


FIG. 10

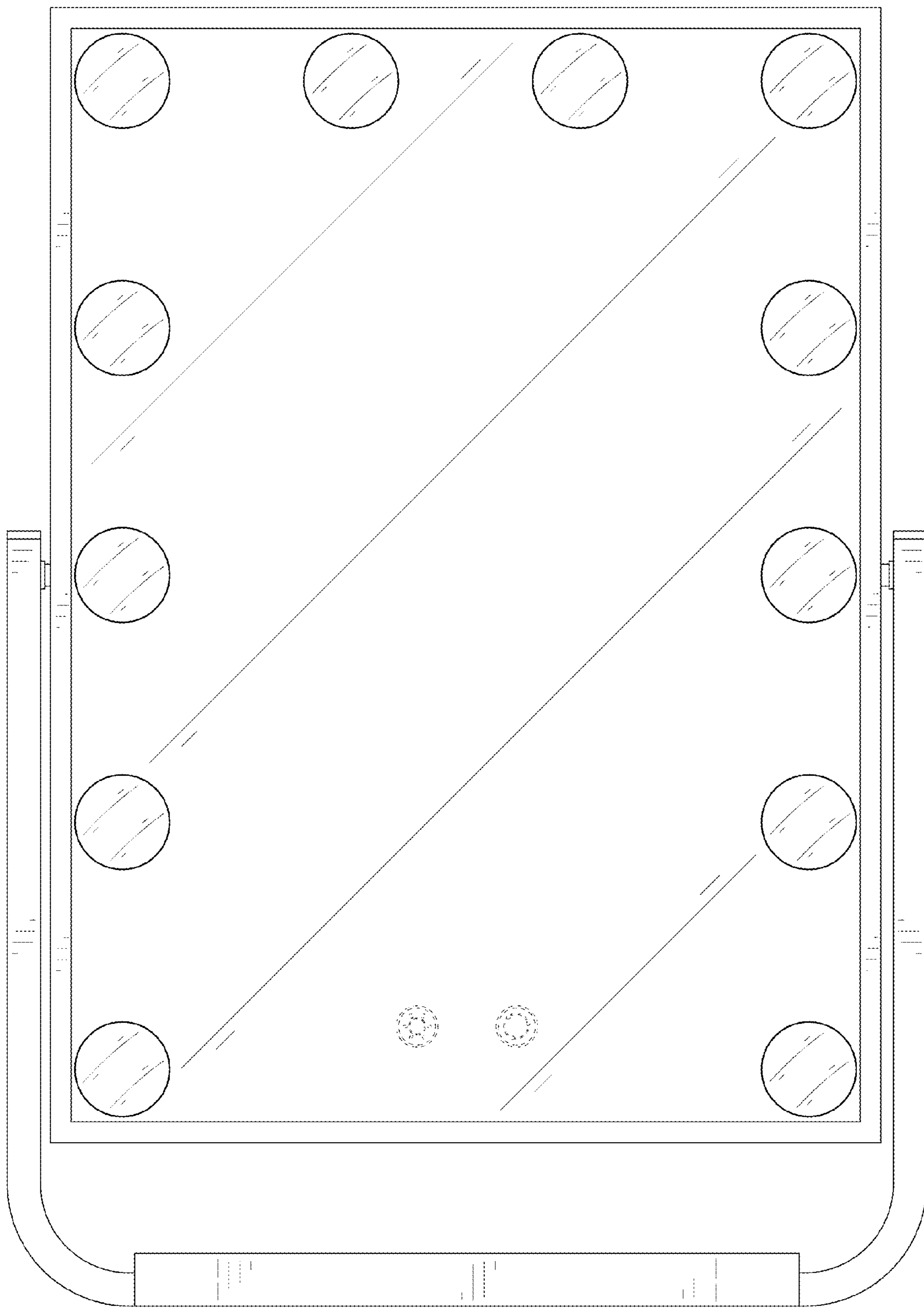


FIG. 11

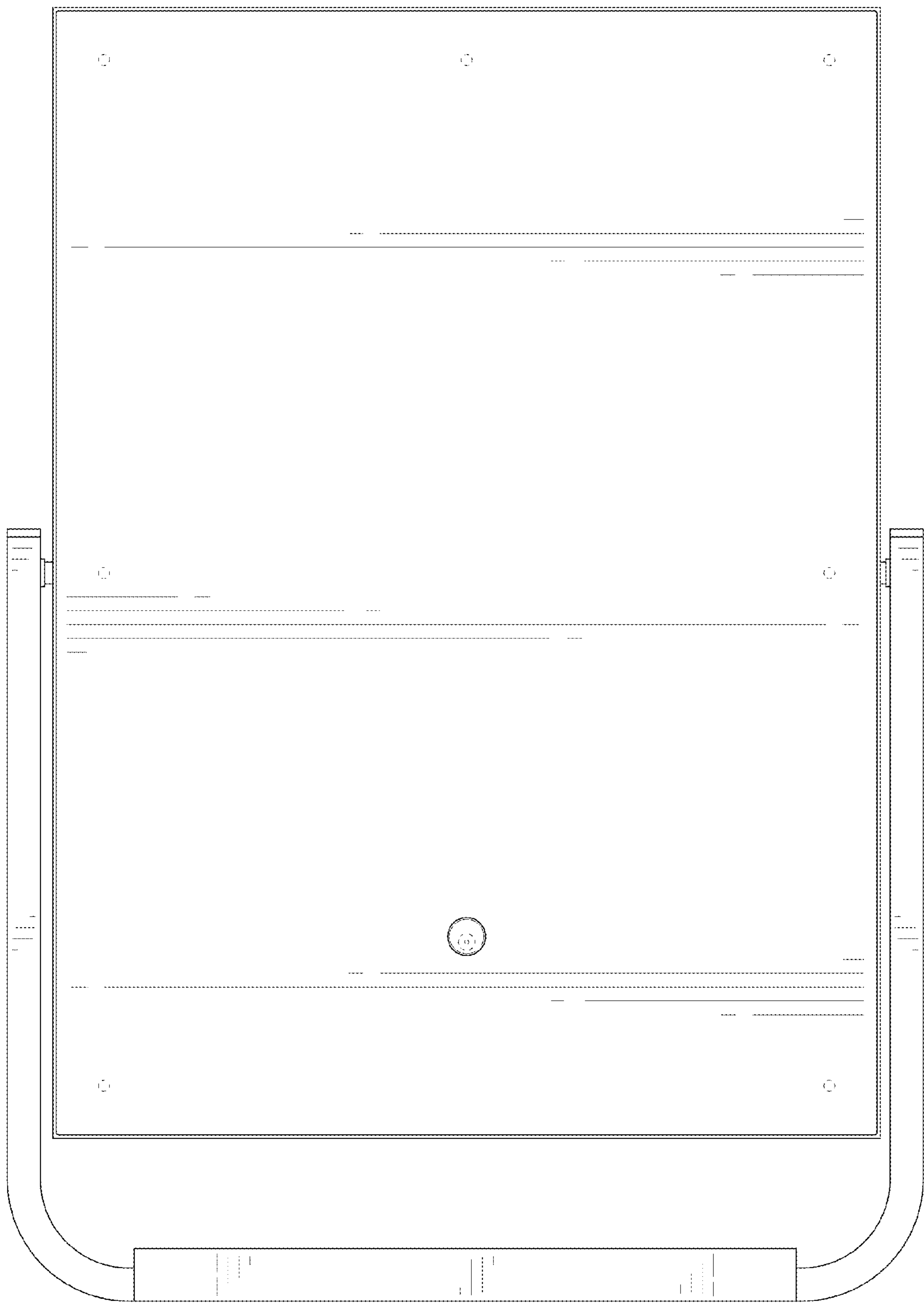


FIG. 12

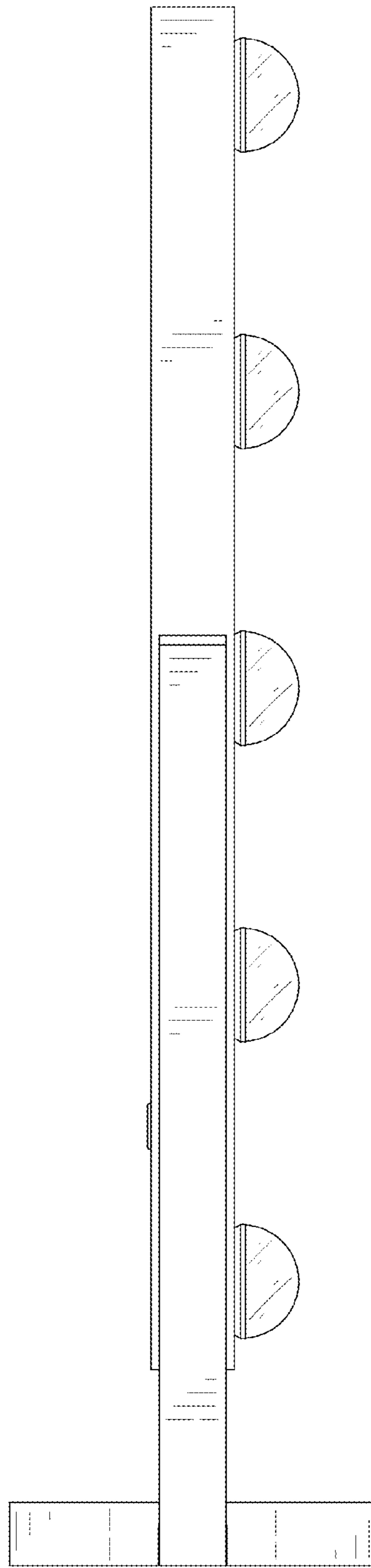


FIG. 13

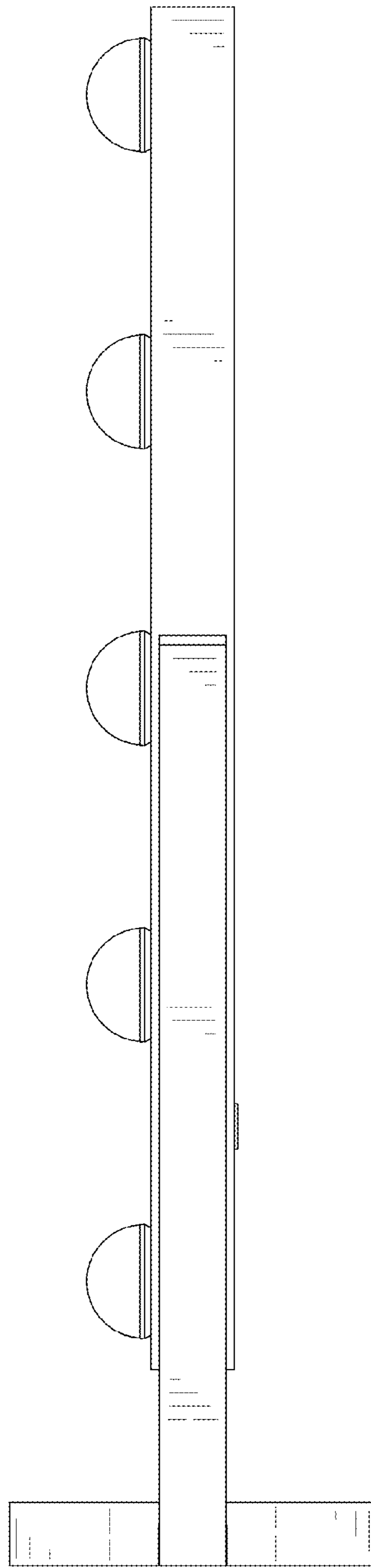


FIG. 14

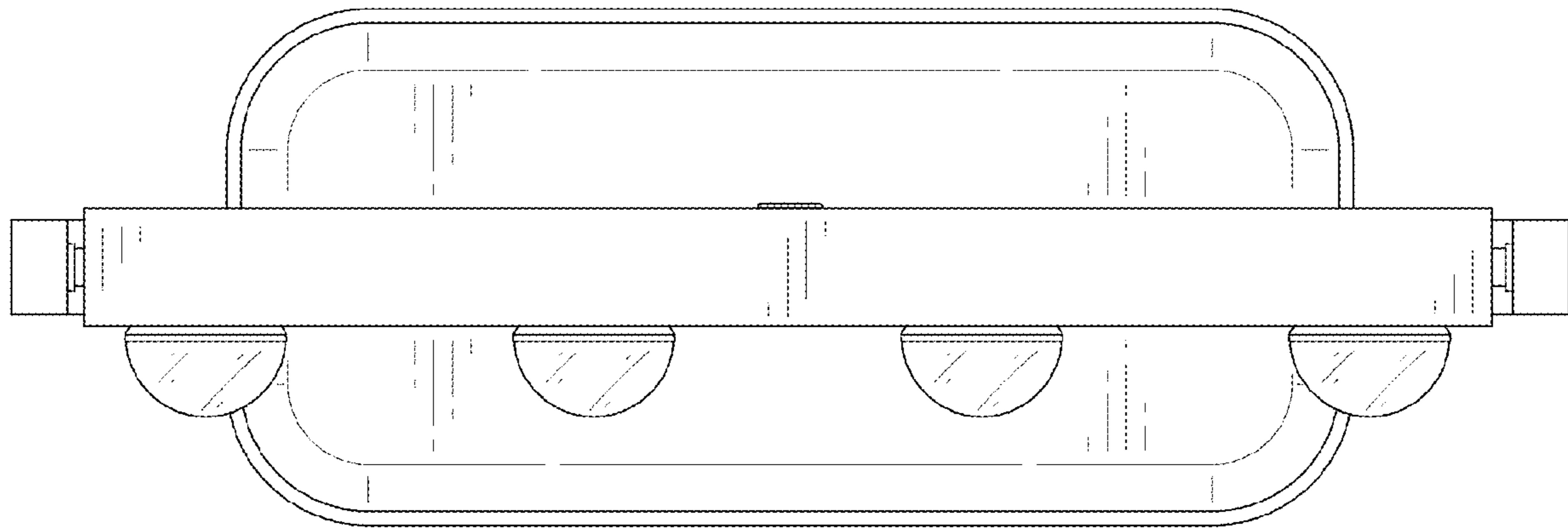


FIG. 15

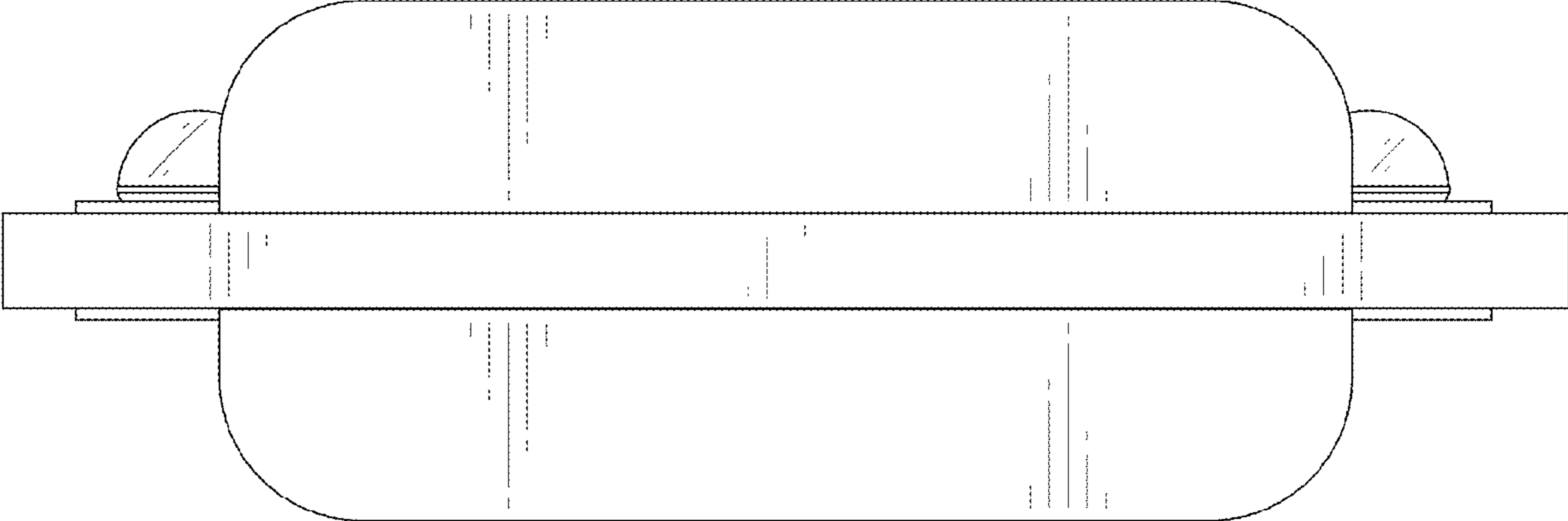


FIG. 16