



US00D918594S

(12) **United States Design Patent**  
**Pawluskiewicz**

(10) **Patent No.:** **US D918,594 S**

(45) **Date of Patent:** **\*\* May 11, 2021**

(54) **BRUSH**

(71) Applicant: **Spectrum Diversified Designs, LLC**,  
Streetsboro, OH (US)

(72) Inventor: **Jan Pawluskiewicz**, Seattle, WA (US)

(73) Assignee: **SPECTRUM DIVERSIFIED  
DESIGNS, LLC**, Streetsboro, OH (US)

(\*\*) Term: **15 Years**

(21) Appl. No.: **29/704,443**

(22) Filed: **Sep. 5, 2019**

(51) **LOC (13) Cl.** ..... **04-01**

(52) **U.S. Cl.**  
USPC ..... **D4/138**

(58) **Field of Classification Search**  
USPC ..... D4/114, 115, 116, 118, 119, 120, 121,  
D4/127, 128, 129, 130, 131, 132, 133,  
D4/134, 135, 136, 137, 138, 199; D28/7,  
D28/63; D32/35, 40, 49, 52; D7/393,  
D7/395; D8/DIG. 7  
CPC ..... A46B 5/02; A46B 2200/3033  
See application file for complete search history.

(56) **References Cited**

**U.S. PATENT DOCUMENTS**

D238,242 S	*	12/1975	Schwartzman	.....	D32/52
D319,120 S	*	8/1991	Kuhn	.....	D32/52
D439,053 S	*	3/2001	Hay	.....	D4/114
D764,806 S	*	8/2016	Prat-Pfister	.....	D4/127
D802,307 S	*	11/2017	Peterson	.....	D4/127

D850,118 S	*	6/2019	Renner	.....	D4/127
D887,720 S	*	6/2020	Kauffman	.....	D4/127
2005/0084317 A1	*	4/2005	Kliegman	.....	A46B 11/0013 401/6

**FOREIGN PATENT DOCUMENTS**

CN 30445603 \* 2/2018

**OTHER PUBLICATIONS**

Twist N' Scrub Palm Brush, Spectrum Diversified Designs, LLC website, <https://www.spectrumdiversified.com/products/twist-n-scrub-palm-brush>, dated Aug. 15, 2019, 1 page.

\* cited by examiner

*Primary Examiner* — Karen E Eldridge Powers

(74) *Attorney, Agent, or Firm* — Tucker Ellis LLP

(57) **CLAIM**

The ornamental design for a brush, as shown and described.

**DESCRIPTION**

FIG. 1 is a perspective view of a brush showing my new design.

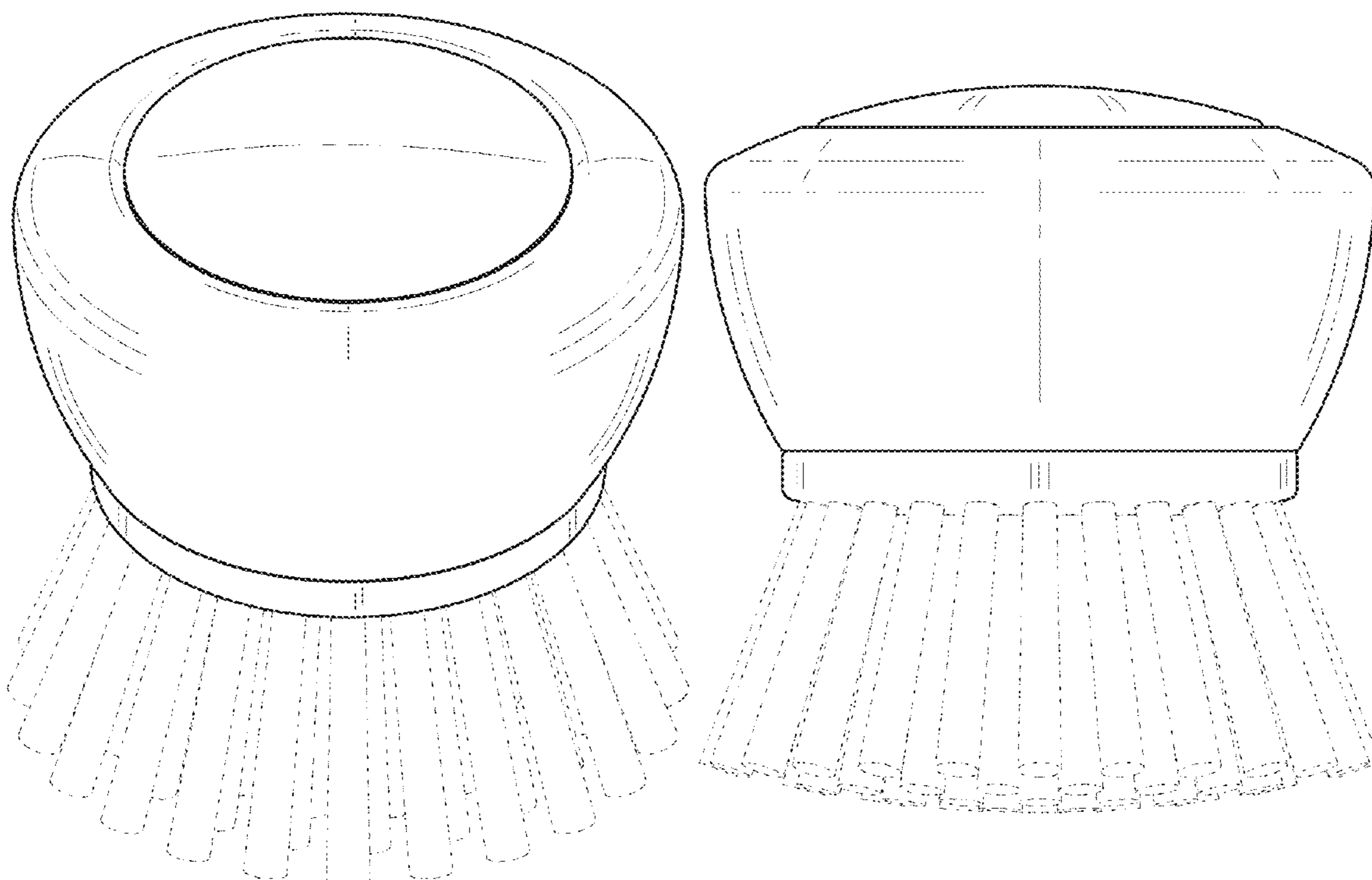
FIG. 2 is a front elevation view thereof; a rear elevation view, right side elevation view, and left side elevation view being the same.

FIG. 3 is a top plan view thereof; and,

FIG. 4 is a bottom plan view thereof.

The broken lines show portions of the design that form no part of the claimed design.

**1 Claim, 4 Drawing Sheets**



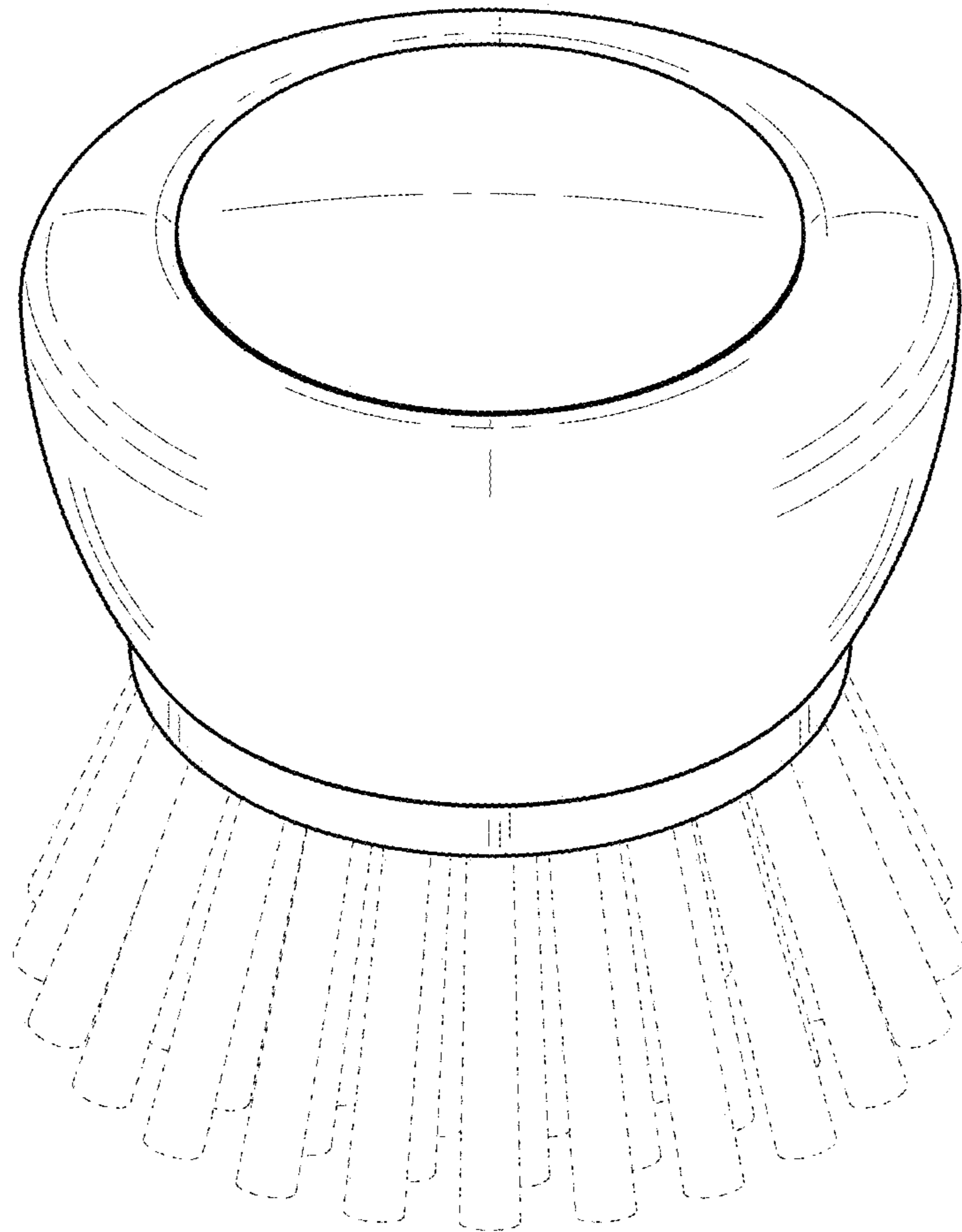


FIG. 1

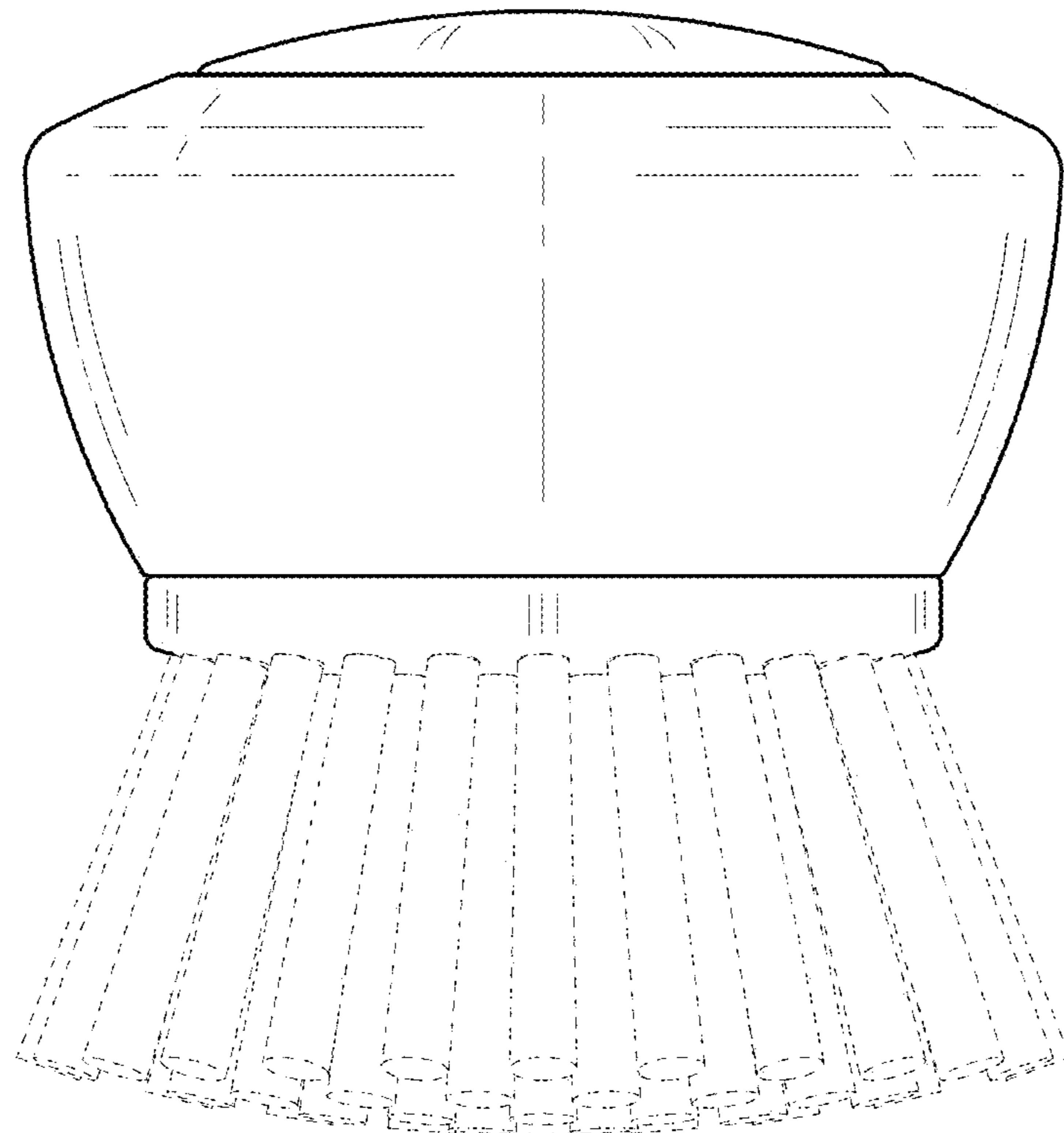


FIG. 2

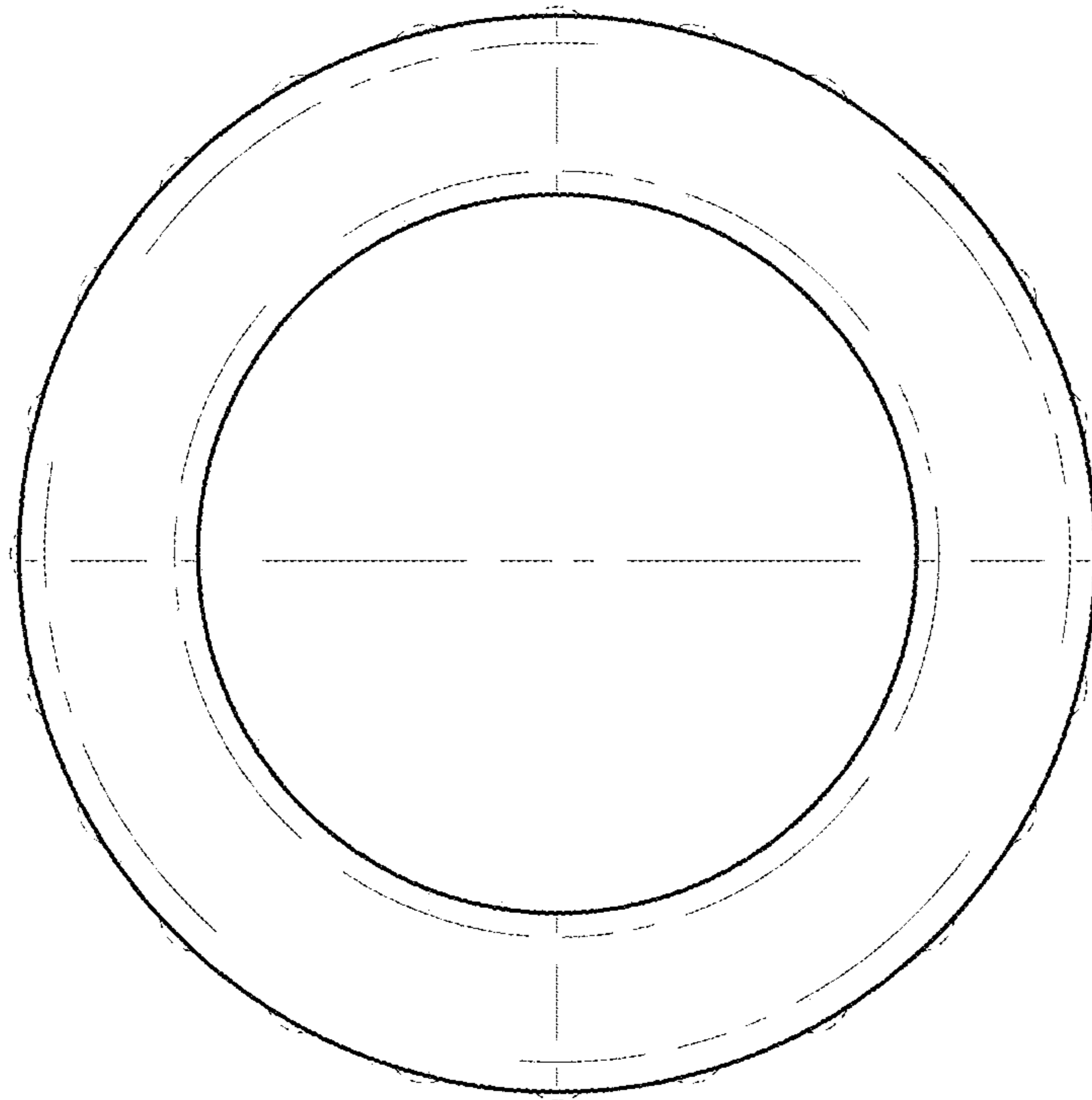


FIG. 3

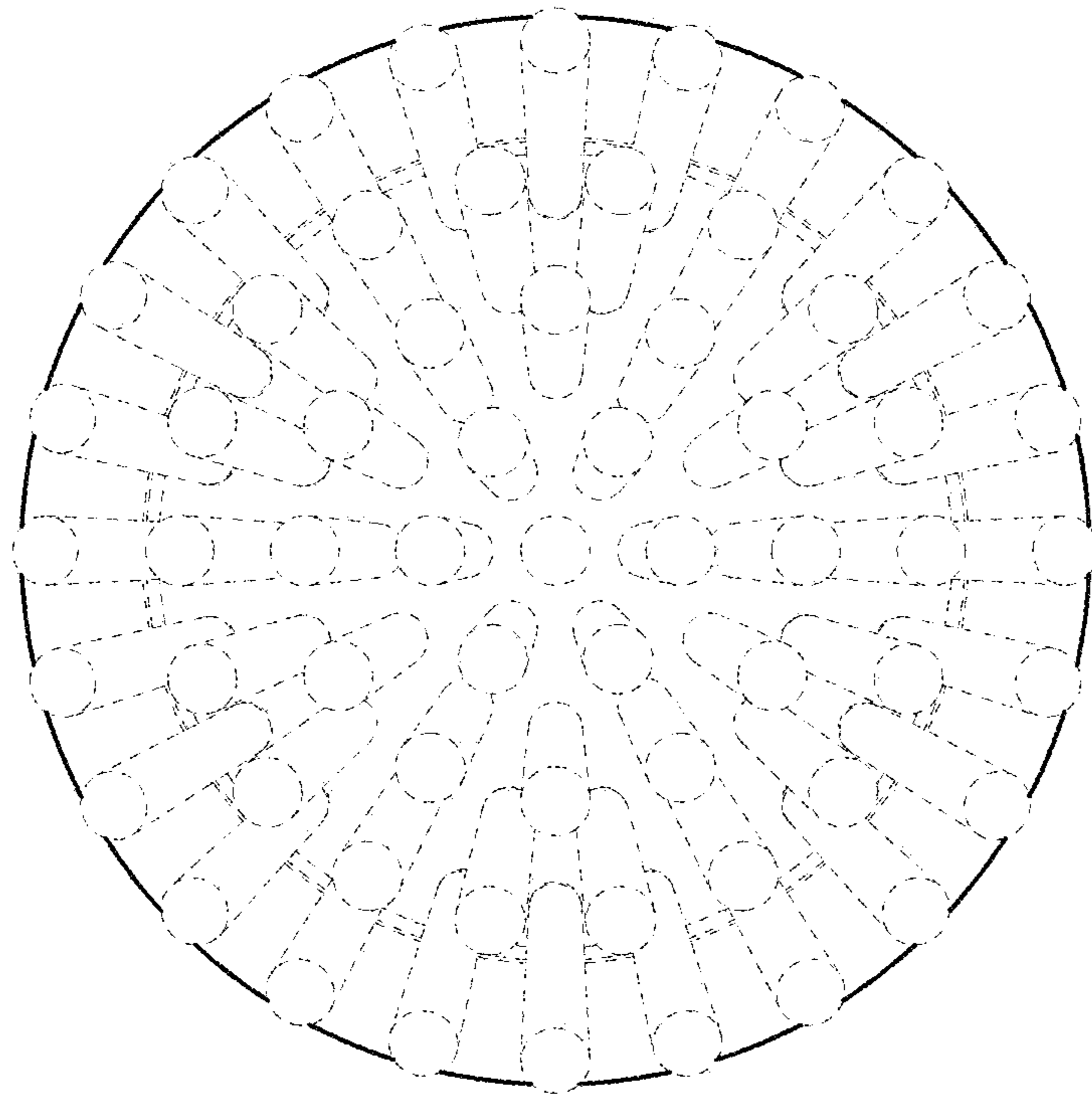


FIG. 4