



US00D918592S

(12) **United States Design Patent**
Tang

(10) **Patent No.:** **US D918,592 S**

(45) **Date of Patent:** **** May 11, 2021**

(54) **SNOW BRUSH**

(71) Applicant: **Liang Tang**, Guangzhou (CN)

(72) Inventor: **Liang Tang**, Guangzhou (CN)

(73) Assignee: **IMPRESSWIT LIMITED**, N.T. (HK)

(**) Term: **15 Years**

(21) Appl. No.: **29/730,171**

(22) Filed: **Apr. 1, 2020**

(51) **LOC (13) Cl.** **04-01**

(52) **U.S. Cl.**
USPC **D4/118**

(58) **Field of Classification Search**
USPC D4/116-118, 121, 130, 132, 134, 138;
D32/35, 40-42, 46, 49, 51, 52
CPC .. A46B 3/18; A46B 5/00; A46B 9/021; A46B
11/00; A46B 11/0003; A46B 2200/1053;
A45D 40/26; A45D 40/265
See application file for complete search history.

(56) **References Cited**

U.S. PATENT DOCUMENTS

D290,553 S *	6/1987	Clivio	A46B 15/0081 D4/115
D453,075 S	1/2002	Liu	
D459,847 S	7/2002	Ingram	
D485,031 S *	1/2004	Anderson	A46B 15/0081 D32/42
D501,726 S *	2/2005	Liu	D4/118
D547,551 S	7/2007	Sickler	
D562,000 S *	2/2008	Liu	D4/118
D597,315 S *	8/2009	Hoffelner	D4/118
D625,521 S	10/2010	Barnes	
D715,059 S	10/2014	Seehoff	

9,145,112 B1 *	9/2015	Ihde	A46B 15/0081
D760,460 S	6/2016	Kunnas et al.	
D771,891 S	11/2016	Bennett et al.	
D785,338 S	5/2017	Henningsen	
D834,328 S *	11/2018	Thompson	A47L 13/42 D4/118
D838,493 S	1/2019	Thuma et al.	
D841,918 S	2/2019	Tschopp	
2007/0234497 A1 *	10/2007	Lee	A47L 13/42 15/144.1
2011/0188923 A1 *	8/2011	Lafleur	A46B 15/0081 403/53
2019/0328125 A1 *	10/2019	Lafleur	A46B 15/0081

OTHER PUBLICATIONS

https://www.amazon.com/MATCC-Removal-Scraper-Detachable-Windshield/dp/B07TTC3NF9/ref=sr_1_2?dchild=1&keywords=snow+brush+Matcc&qid=1585363328&sr=8-2.

* cited by examiner

Primary Examiner — Keli L Hill

(57) **CLAIM**

The ornamental design for a snow brush, as shown and described.

DESCRIPTION

FIG. 1 is a perspective view of a snow brush showing my new design;
FIG. 2 is a front elevation view thereof;
FIG. 3 is a rear elevation view thereof;
FIG. 4 is a left side elevation view thereof;
FIG. 5 is a right side elevation view thereof;
FIG. 6 is a top plan view thereof; and,
FIG. 7 is a bottom plan view thereof.

1 Claim, 7 Drawing Sheets

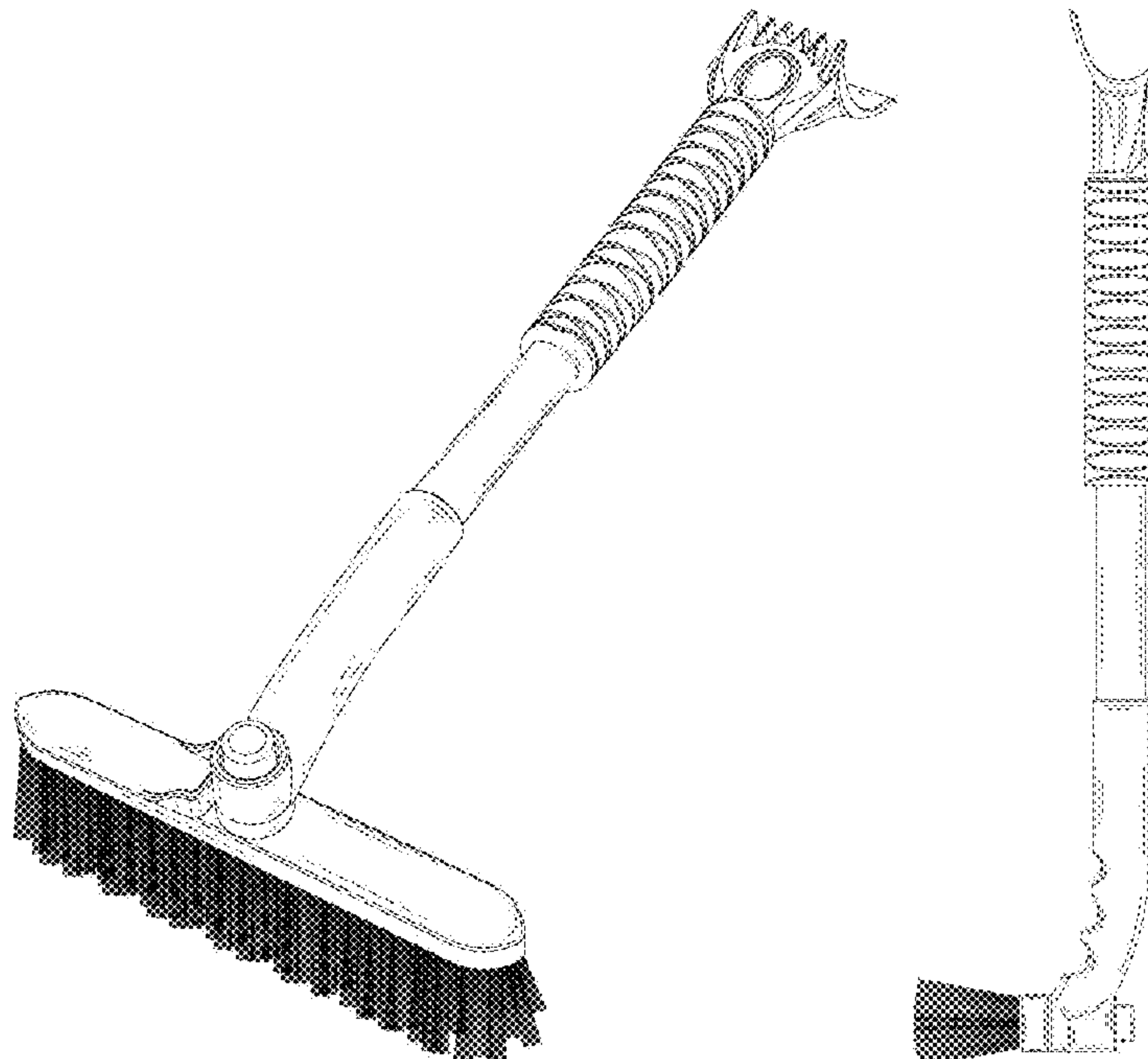




FIG.1

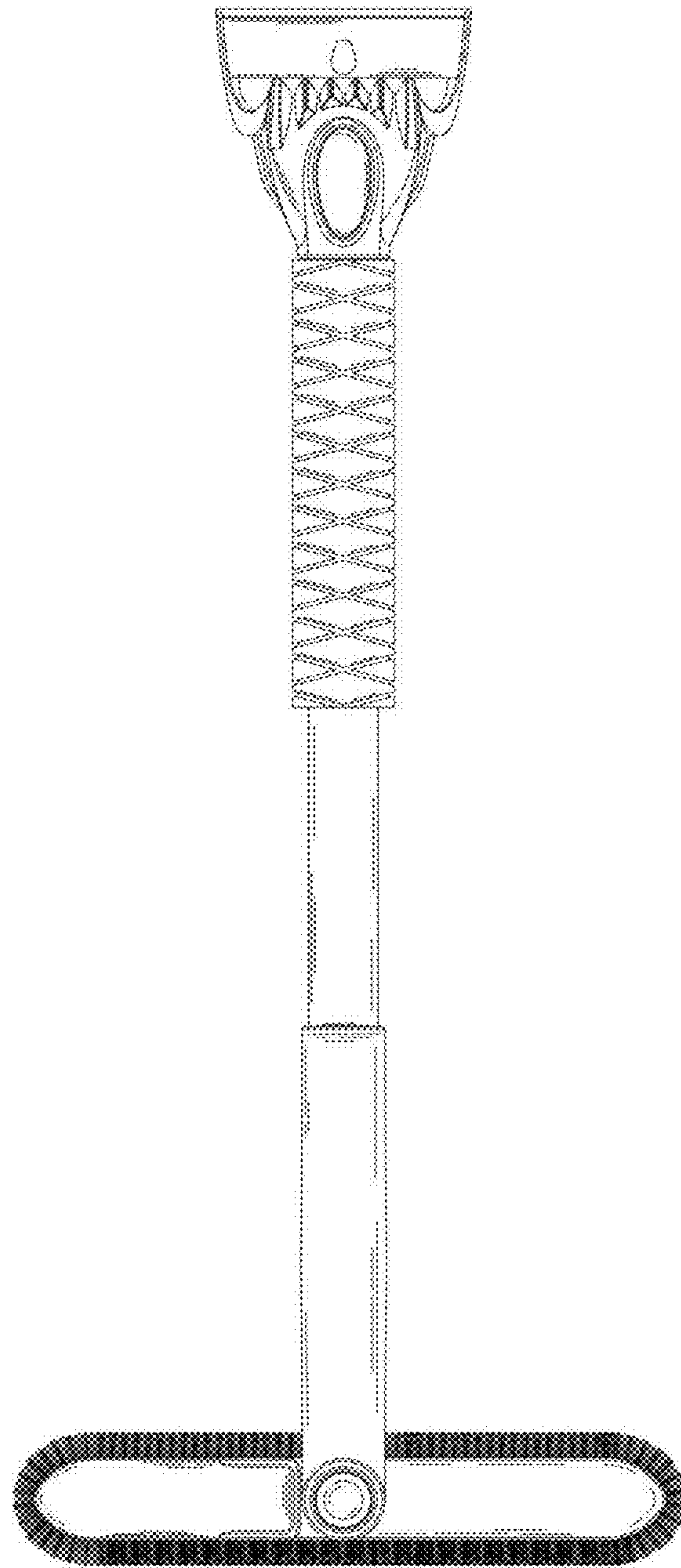


FIG.2

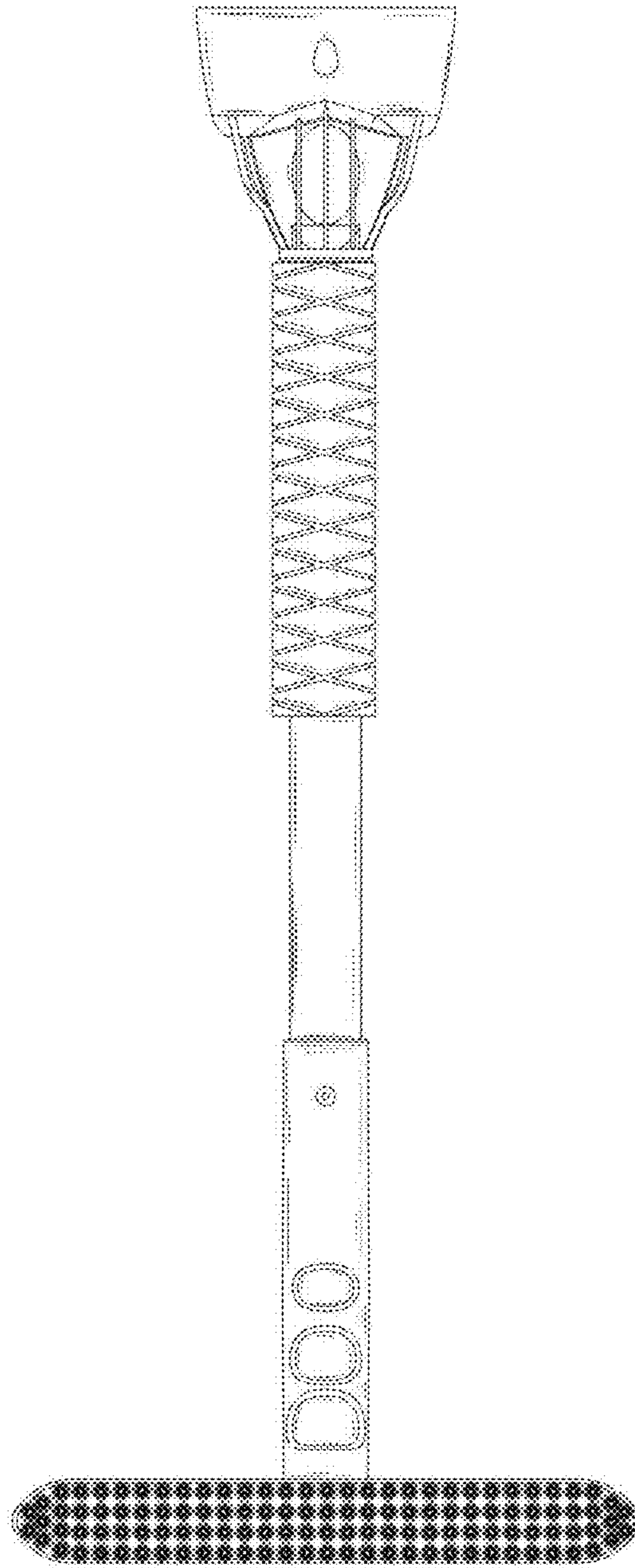


FIG.3

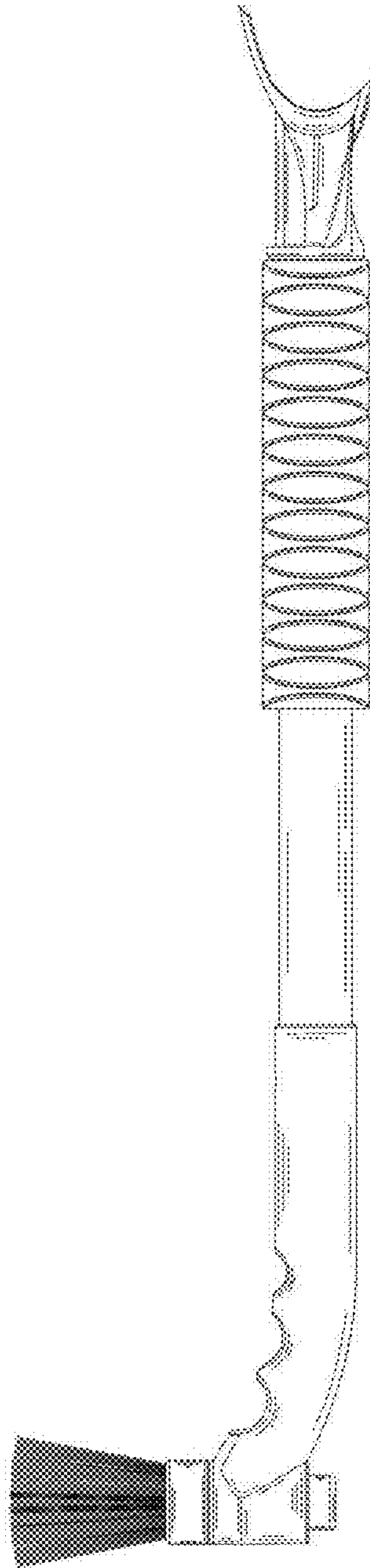


FIG.4

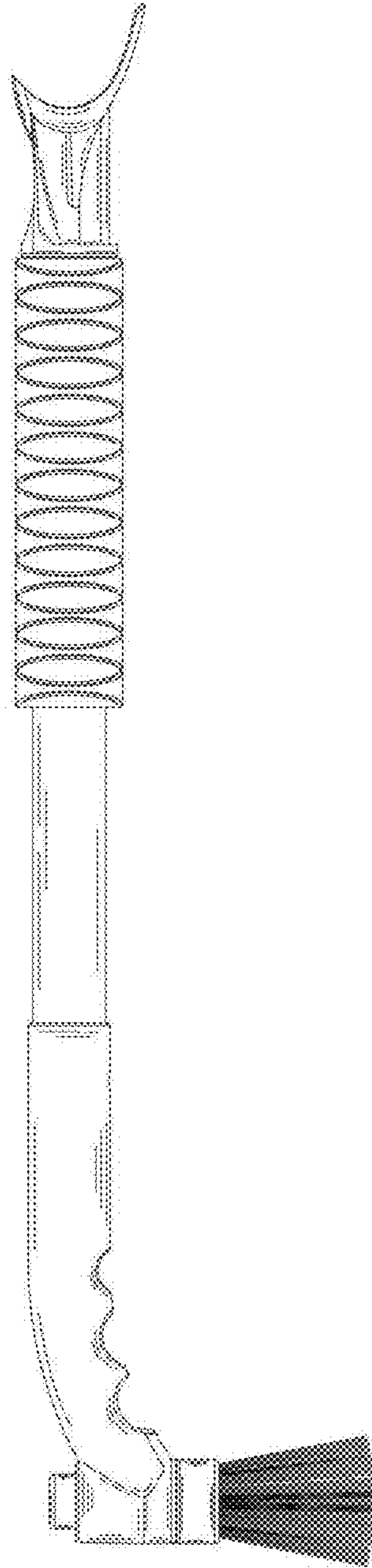


FIG.5

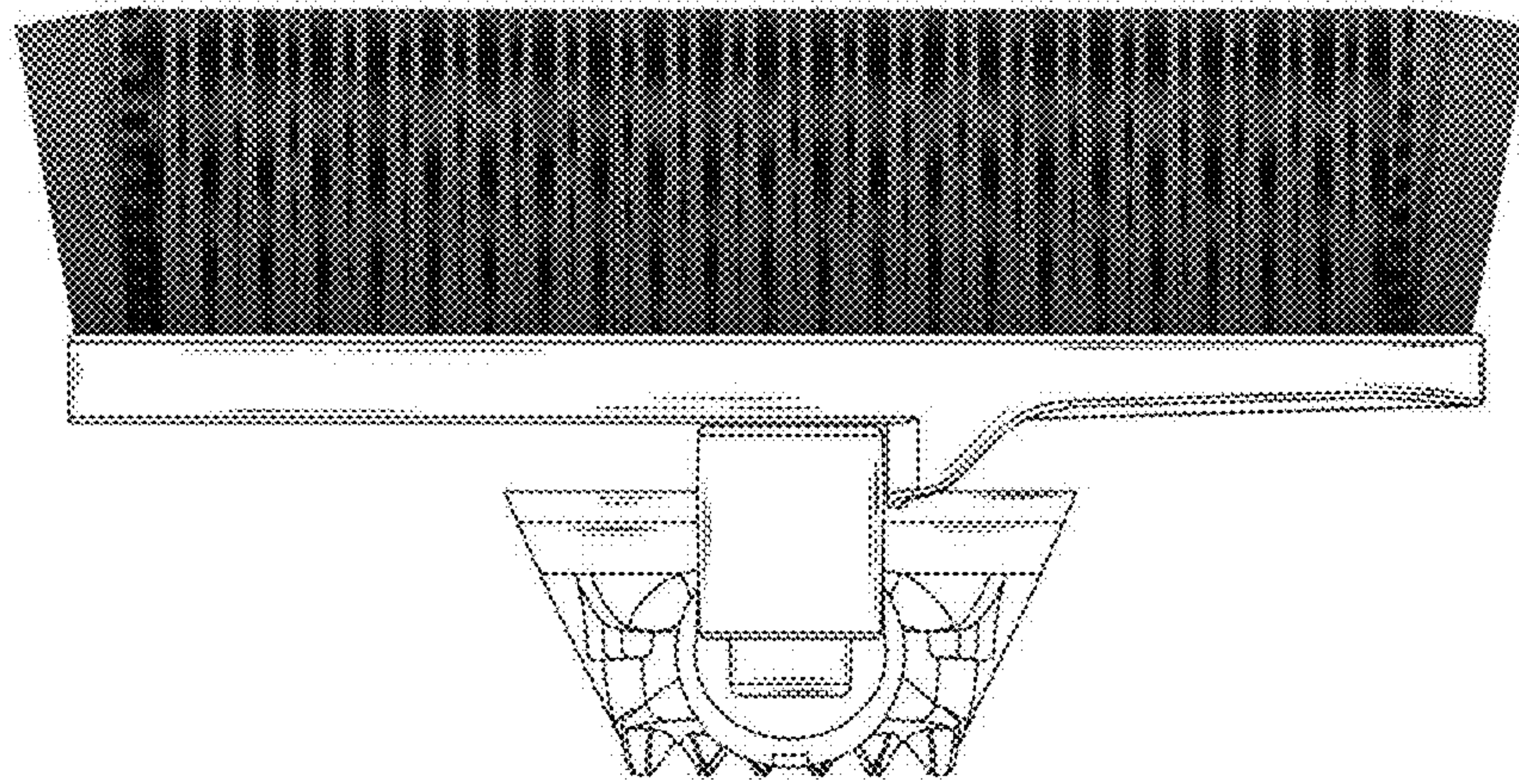


FIG.6

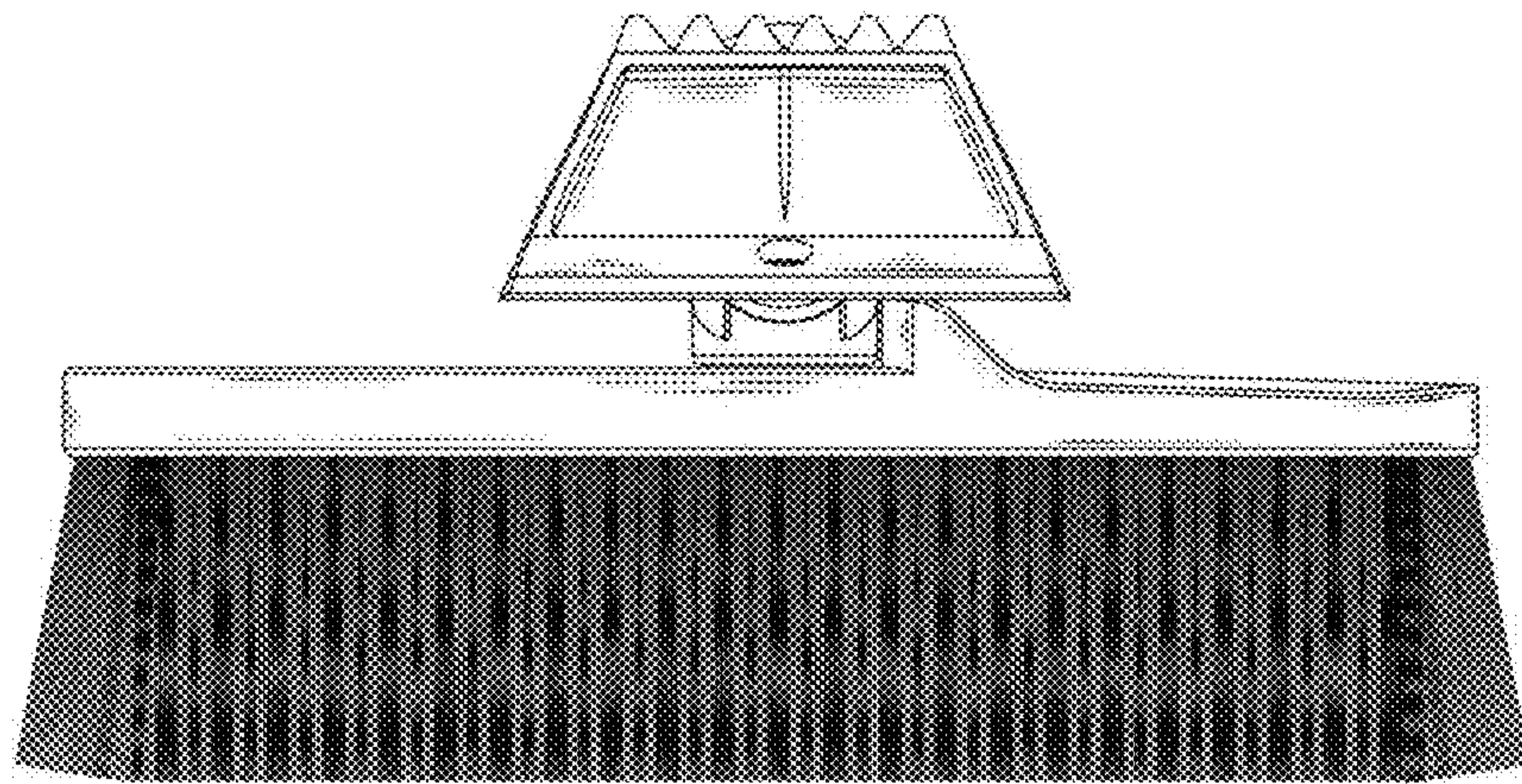


FIG. 7