



US00D918585S

(12) **United States Design Patent** (10) **Patent No.:** **US D918,585 S**  
**Nichols** (45) **Date of Patent:** **\*\* May 11, 2021**

(54) **HAIR MASSAGE DEVICE**

(71) Applicant: **Thomas Nichols**, Laguna Niguel, CA (US)

(72) Inventor: **Thomas Nichols**, Laguna Niguel, CA (US)

(\*\*) Term: **15 Years**

(21) Appl. No.: **29/611,796**

(22) Filed: **Jul. 25, 2017**

**Related U.S. Application Data**

(60) Division of application No. 29/533,741, filed on Jul. 21, 2015, and a continuation of application No. 29/523,204, filed on Apr. 7, 2015, now abandoned.

(51) **LOC (13) Cl.** ..... **04-02**

(52) **U.S. Cl.**  
USPC ..... **D4/100**

(58) **Field of Classification Search**

USPC ..... D4/100, 101, 102, 104, 116, 117, 118,  
D4/121, 124, 125, 127, 128, 129, 130,  
D4/131, 132, 134, 135, 136, 138, 199

(Continued)

(56) **References Cited**

**U.S. PATENT DOCUMENTS**

1,487,374 A \* 3/1924 De Bassini ..... A45D 24/24  
132/108  
2,946,072 A \* 7/1960 Filler ..... A46B 7/04  
15/110

(Continued)

*Primary Examiner* — Steven J Czyz

(74) *Attorney, Agent, or Firm* — Knobbe, Martens, Olson & Bear, LLP

(57) **CLAIM**

What is claimed is the ornamental design for a hair massage device, as shown.

**DESCRIPTION**

FIG. 1 is a perspective view of the hair massage device;  
FIG. 2 is a left side view thereof;

FIG. 3 is a right side view thereof;  
FIG. 4 is a front view thereof;  
FIG. 5 is a back view thereof;  
FIG. 6 is a top view thereof;  
FIG. 7 is a bottom view thereof;  
FIG. 8 is a perspective view of the bottom jaw assembly of the hair massage device;  
FIG. 9 is a left side view thereof;  
FIG. 10 is a right side view thereof;  
FIG. 11 is a front view thereof;  
FIG. 12 is a back view thereof;  
FIG. 13 is a top view thereof;  
FIG. 14 is a bottom view thereof;  
FIG. 15 is a perspective view of the top jaw assembly of the hair massage device;  
FIG. 16 is a left side view thereof;  
FIG. 17 is a right side view thereof;  
FIG. 18 is a front view thereof;  
FIG. 19 is a back view thereof;  
FIG. 20 is a top view thereof;  
FIG. 21 is a bottom view thereof;  
FIG. 22 is a perspective view of the fine tooth comb attachment for the hair massage device, shown separately for ease of disclosure;  
FIG. 23 is a perspective view of the bristle brush attachment for the hair massage device, shown separately for ease of disclosure;  
FIG. 24 is a perspective view of the coarse tooth comb attachment for the hair massage device, shown separately for ease of disclosure;  
FIG. 25 is a side view of the fine tooth comb attachment for the hair massage device, shown separately for ease of disclosure;  
FIG. 26 is a side view of the bristle brush attachment for the hair massage device, shown separately for ease of disclosure;  
FIG. 27 is a side view of the coarse tooth comb attachment for the hair massage device, shown separately for ease of disclosure;  
FIG. 28 is an end view of the fine tooth comb attachment for the hair massage device, shown separately for ease of disclosure;

(Continued)

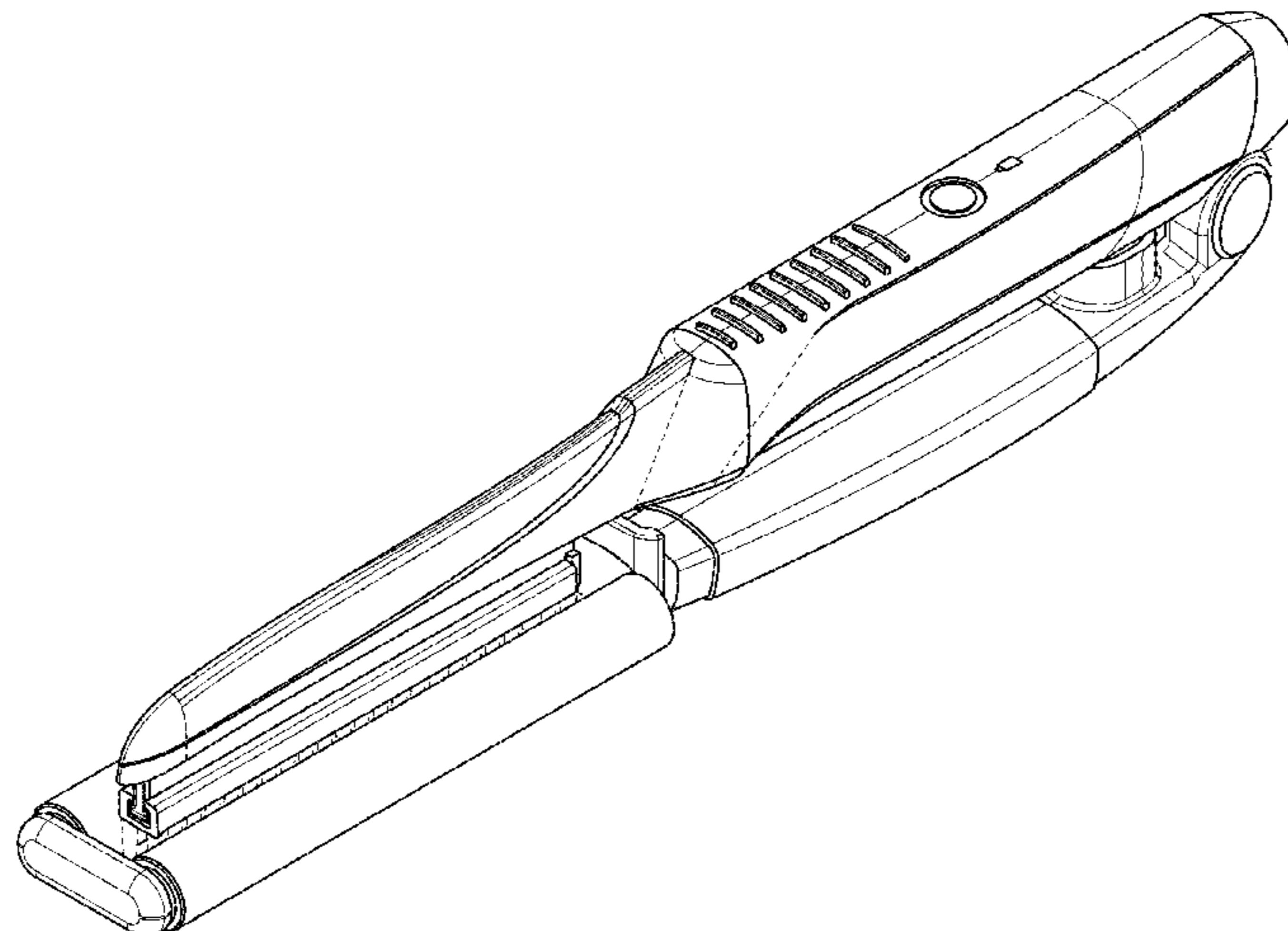


FIG. 29 is an end view of the bristle brush attachment for the hair massage device, shown separately for ease of disclosure; and,

FIG. 30 is an end view of the coarse tooth comb attachment for the hair massage device, shown separately for ease of disclosure.

The broken lines depict portions of the article that form no part of the claimed design.

**1 Claim, 15 Drawing Sheets**

(58) **Field of Classification Search**

CPC ..... A46B 5/00; A46B 5/0004; A46B 5/0008; A46B 5/0012; A46B 5/002; A46B 5/0095; A46B 9/04; A46B 11/0006; A46B 2200/1026; A46B 2200/102; A46B 2200/104; A61B 17/24; A61H 7/002; A61H 7/004; A61H 7/005

See application file for complete search history.

(56) **References Cited**

U.S. PATENT DOCUMENTS

3,491,777 A \* 1/1970 Grosbard ..... A46B 7/02  
132/120  
D299,279 S \* 1/1989 Reeves ..... D28/35

D331,840 S \* 12/1992 Garner ..... 401/289  
D370,304 S \* 5/1996 Schach ..... D28/10  
D422,793 S \* 4/2000 Levin ..... D28/25  
D432,792 S \* 10/2000 Sivan ..... D4/133  
D434,566 S \* 12/2000 Mann ..... D32/35  
D442,331 S \* 5/2001 Pannozzo ..... D28/7  
D456,610 S \* 5/2002 Kwong ..... D4/120  
D457,730 S \* 5/2002 McCurrach ..... D28/10  
D471,364 S \* 3/2003 Kwong ..... D4/120  
D516,317 S \* 3/2006 Wong ..... D4/108  
D525,035 S \* 7/2006 McCay ..... D4/120  
D626,749 S \* 11/2010 Ragosta ..... D4/100  
D663,528 S \* 7/2012 Wong ..... D4/108  
8,220,100 B2 \* 7/2012 Diamond ..... A46B 5/0012  
132/132  
8,752,559 B1 \* 6/2014 Tsai ..... A45D 24/22  
132/108  
D735,477 S \* 8/2015 Anderson ..... D4/116  
D742,120 S \* 11/2015 Dalton ..... D4/108  
D749,326 S \* 2/2016 Rennette ..... D4/121  
2005/0016557 A1 \* 1/2005 Fasan ..... A45D 1/18  
132/132  
2005/0076930 A1 \* 4/2005 Yuen ..... A45D 2/002  
132/132  
2007/0068545 A1 \* 3/2007 Dallianis ..... A45D 24/26  
132/116  
2008/0110471 A1 \* 5/2008 Oliver ..... A45D 24/02  
132/148  
2008/0210251 A1 \* 9/2008 Dallianis ..... A45D 24/26  
132/116  
2017/0013932 A1 \* 1/2017 Nichols ..... A45D 24/007

\* cited by examiner

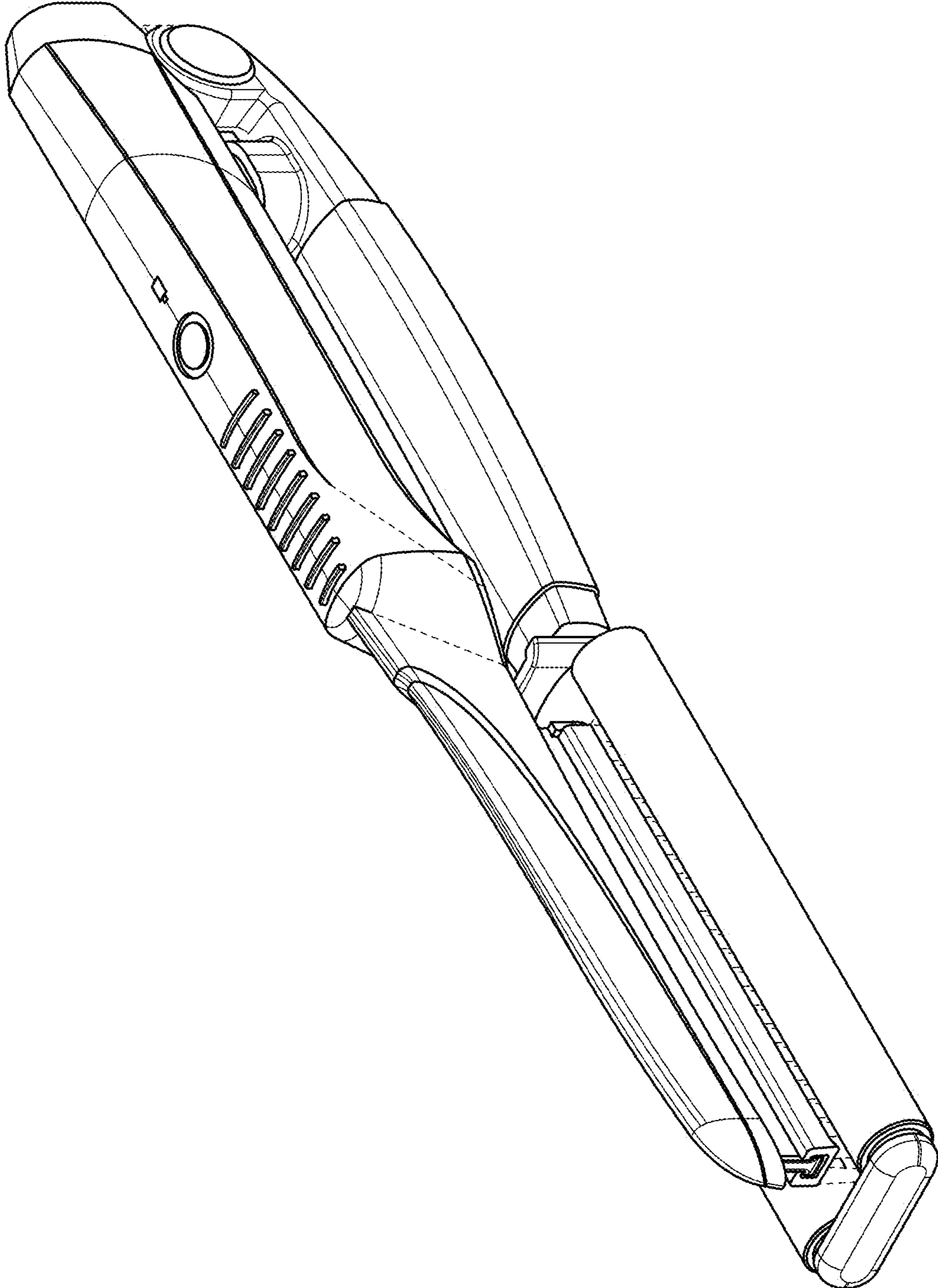


FIG. 1

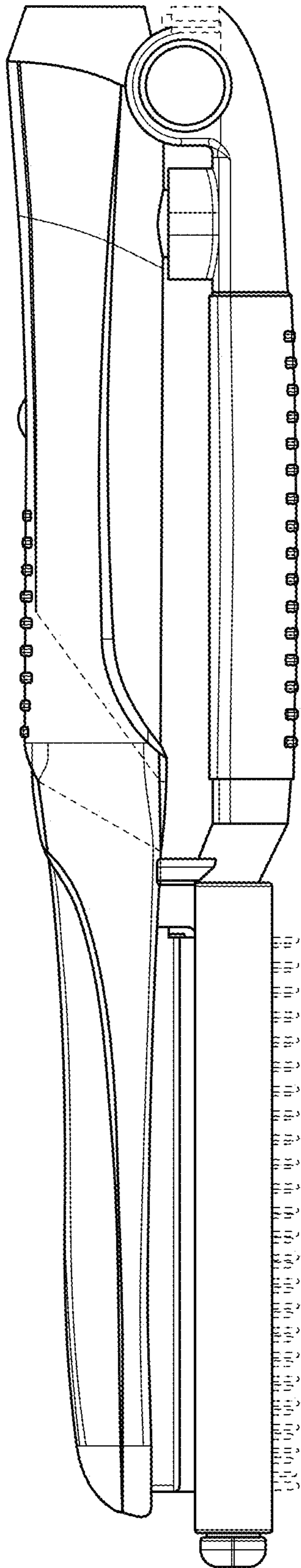


FIG. 2

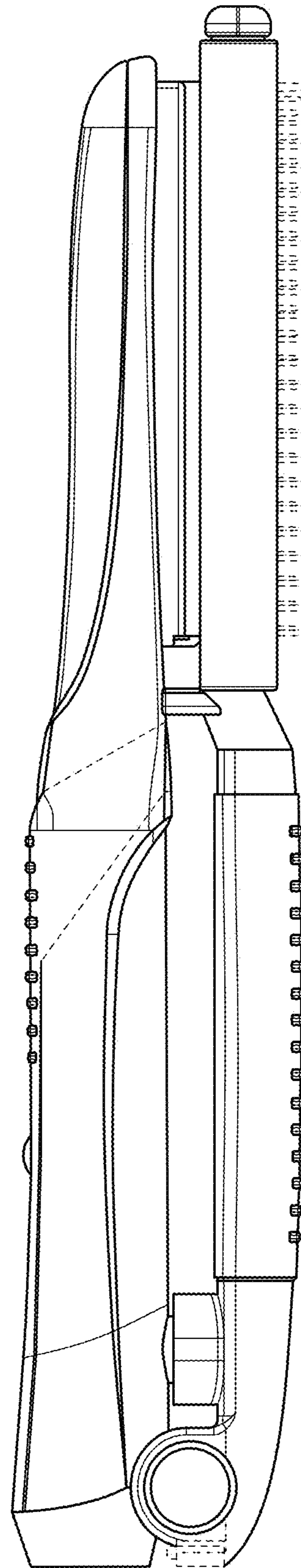


FIG. 3

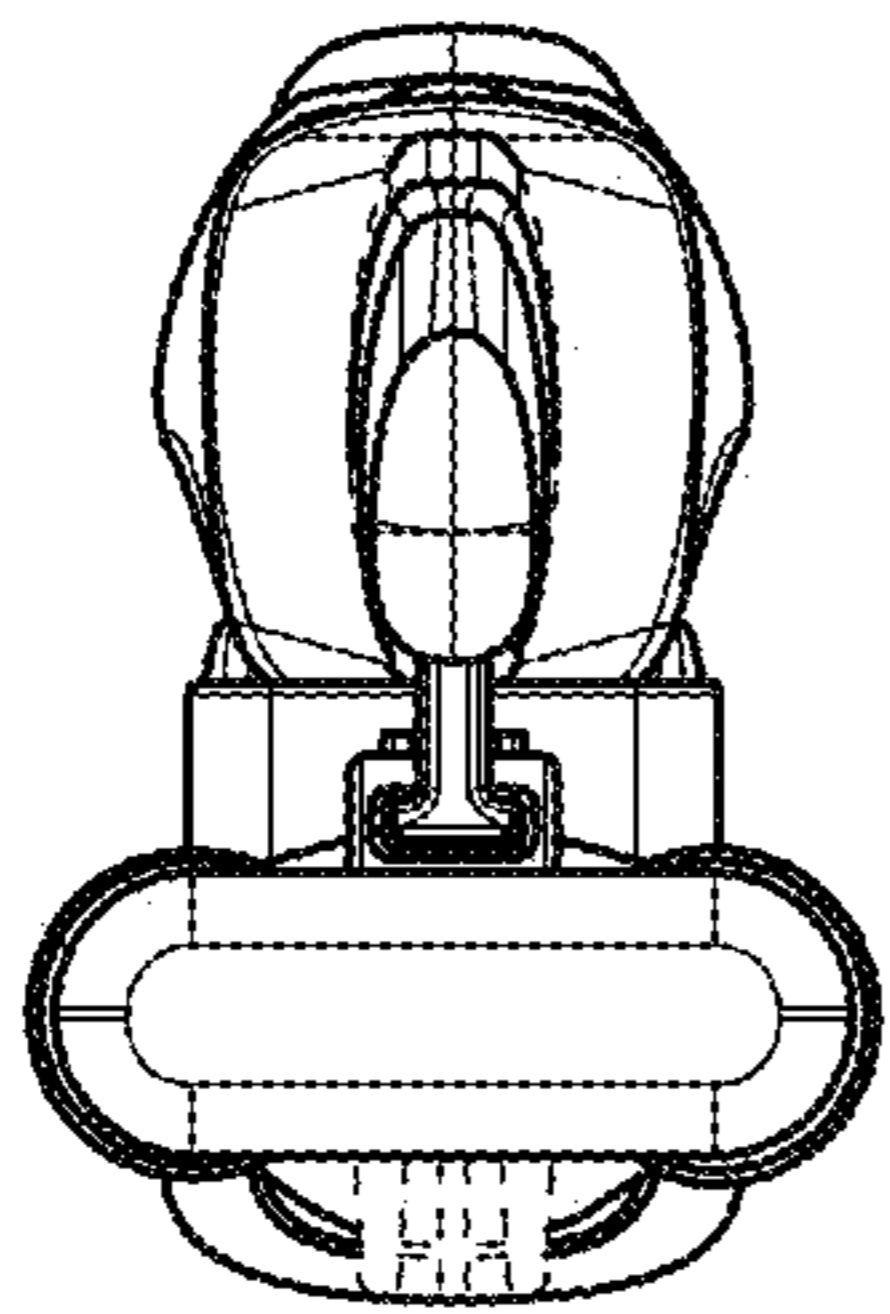


FIG. 4

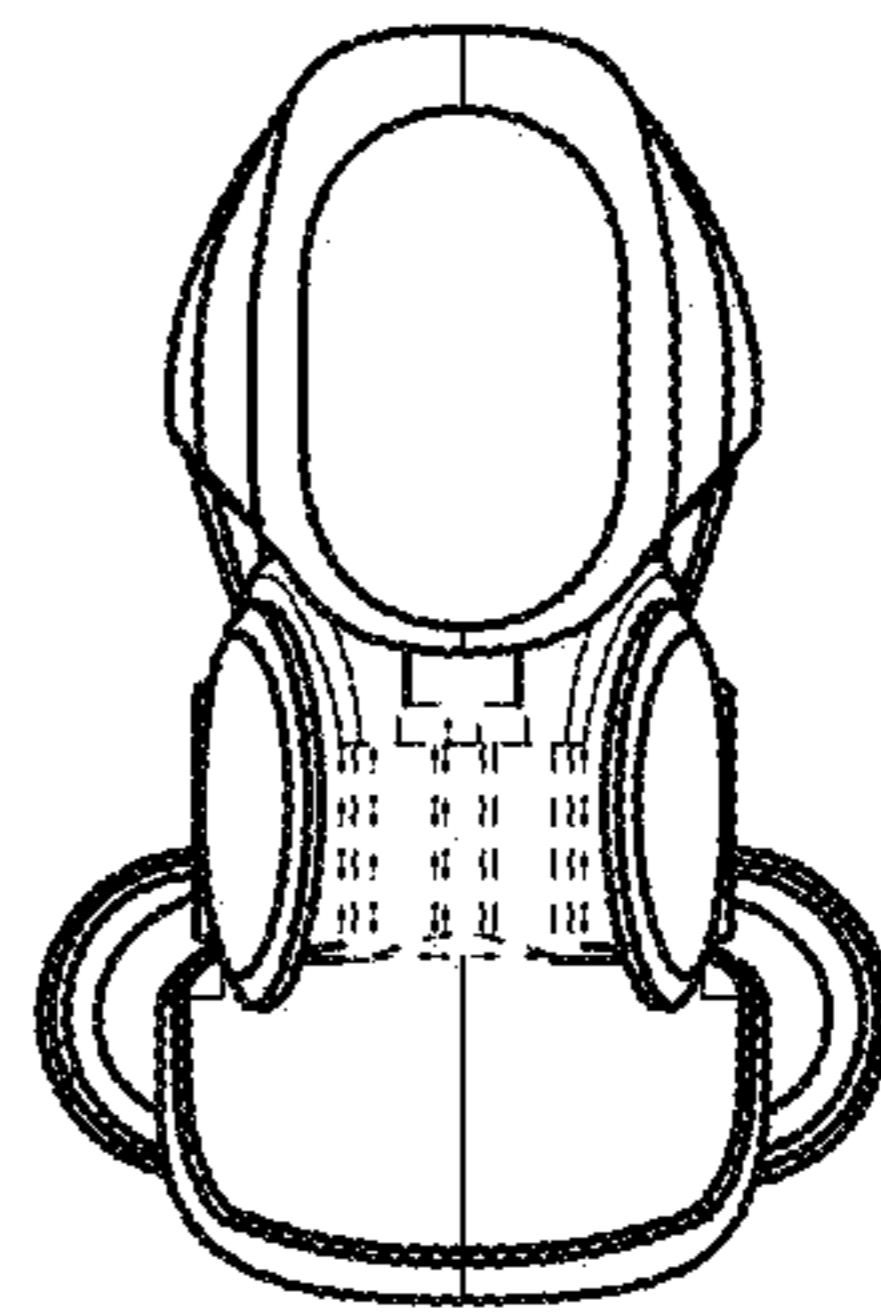


FIG. 5

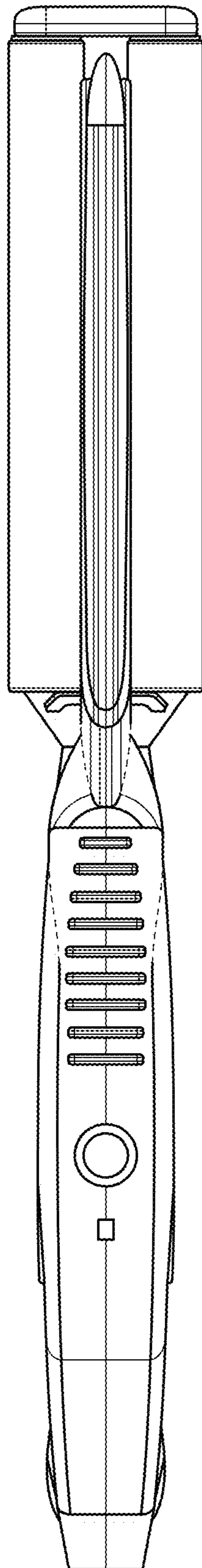


FIG. 6

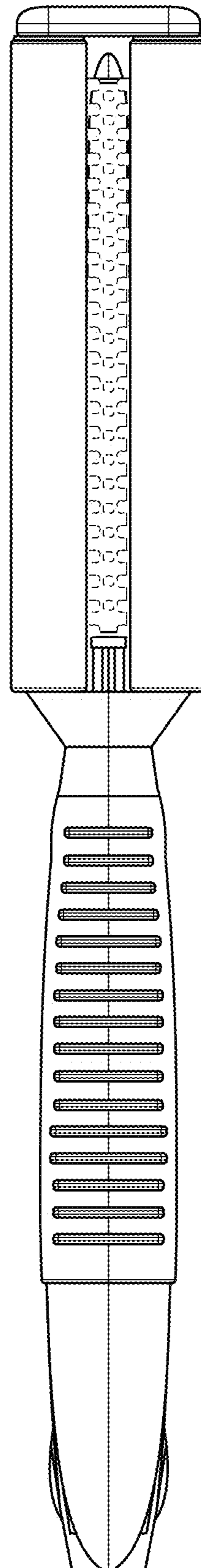


FIG. 7

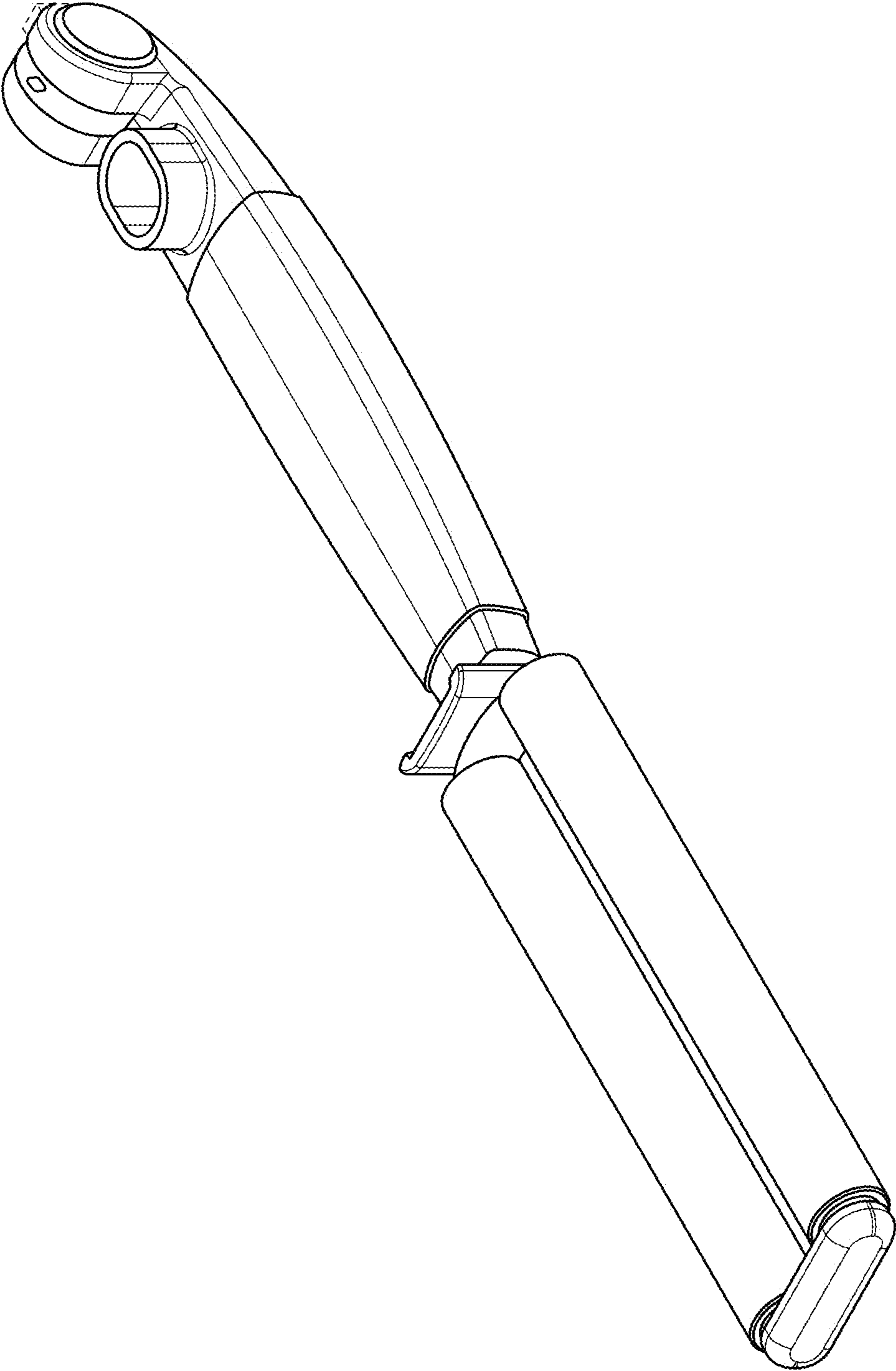


FIG. 8

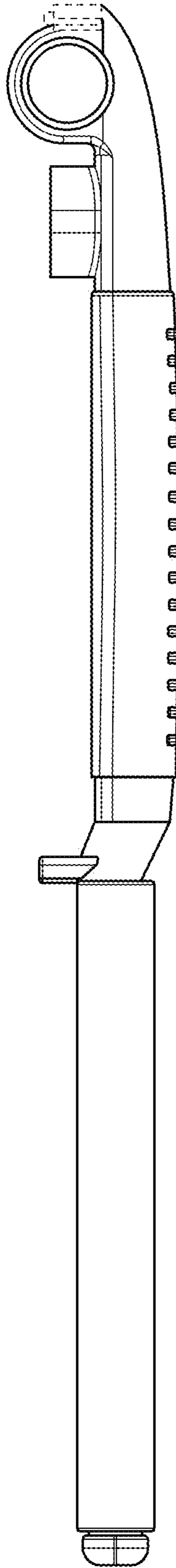


FIG. 9

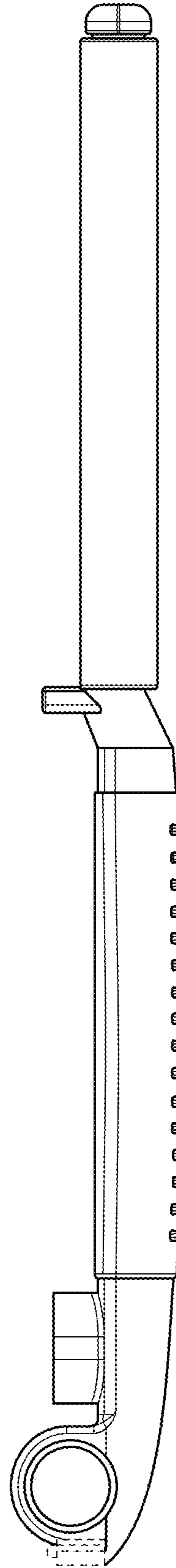


FIG. 10



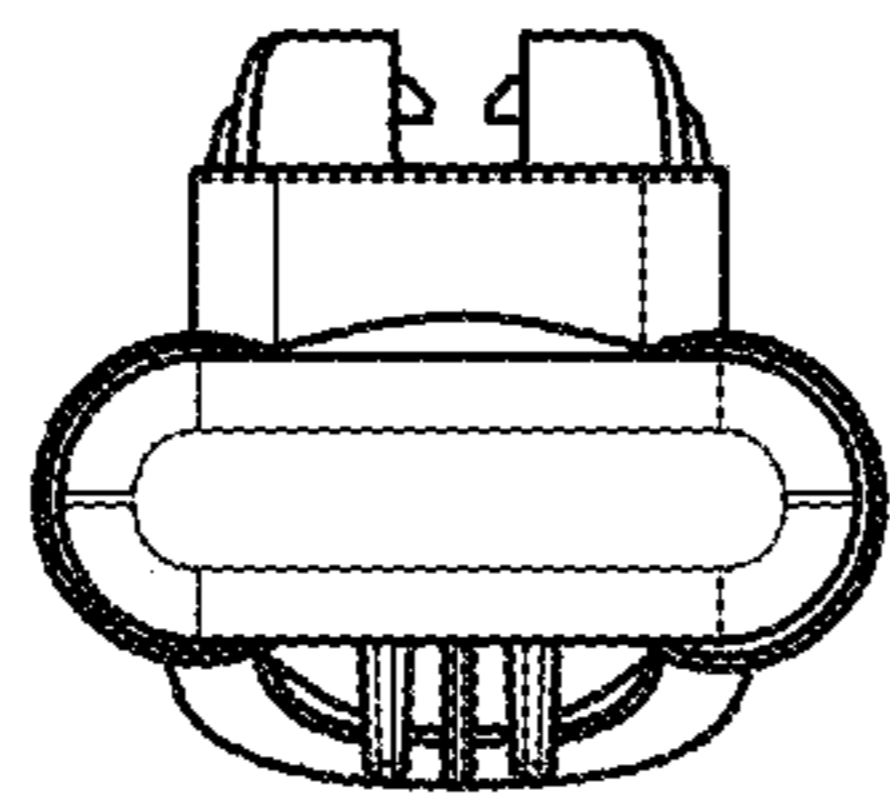


FIG. 11

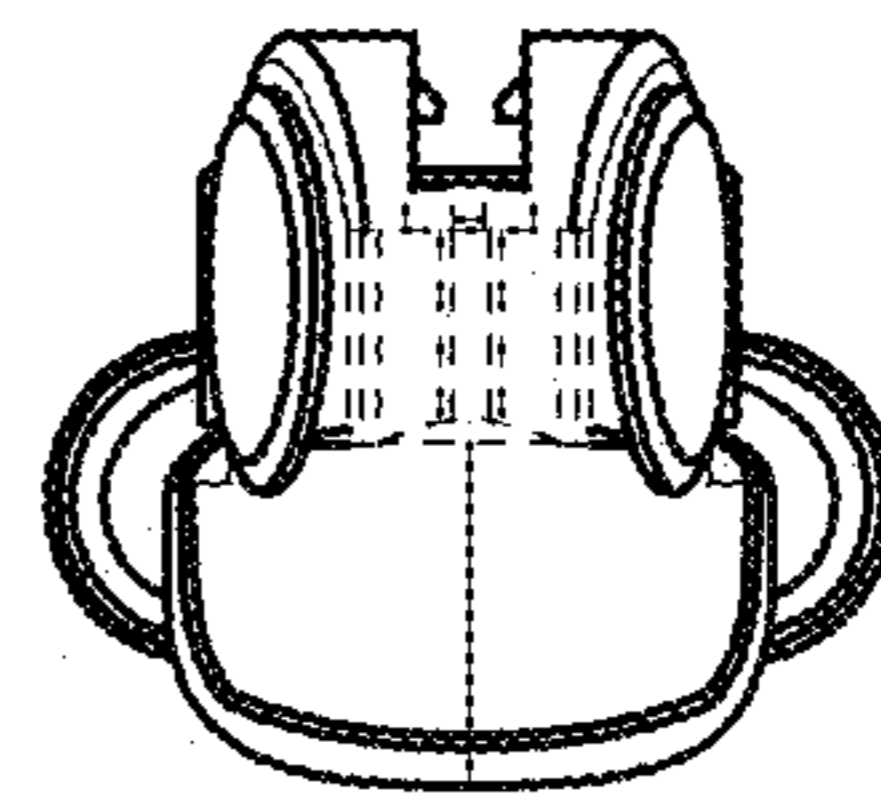


FIG. 12

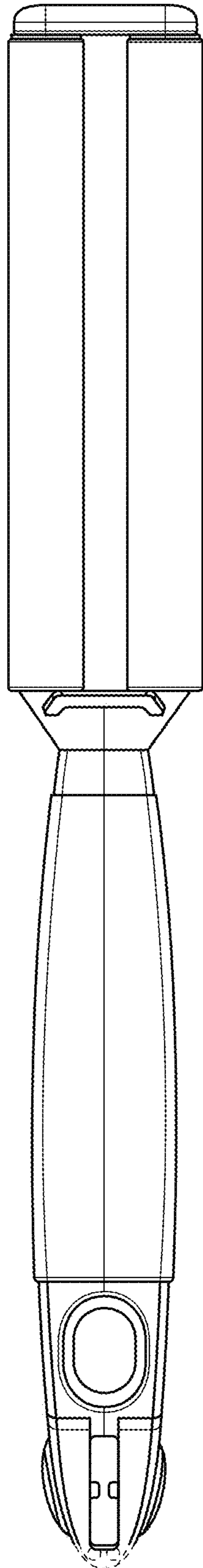


FIG. 13

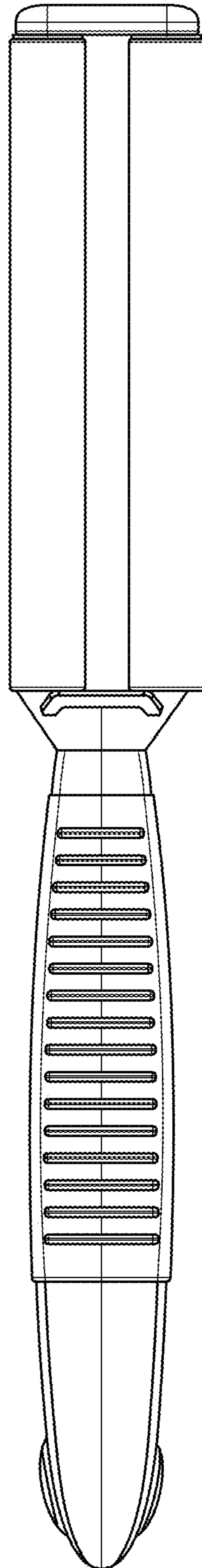


FIG. 14

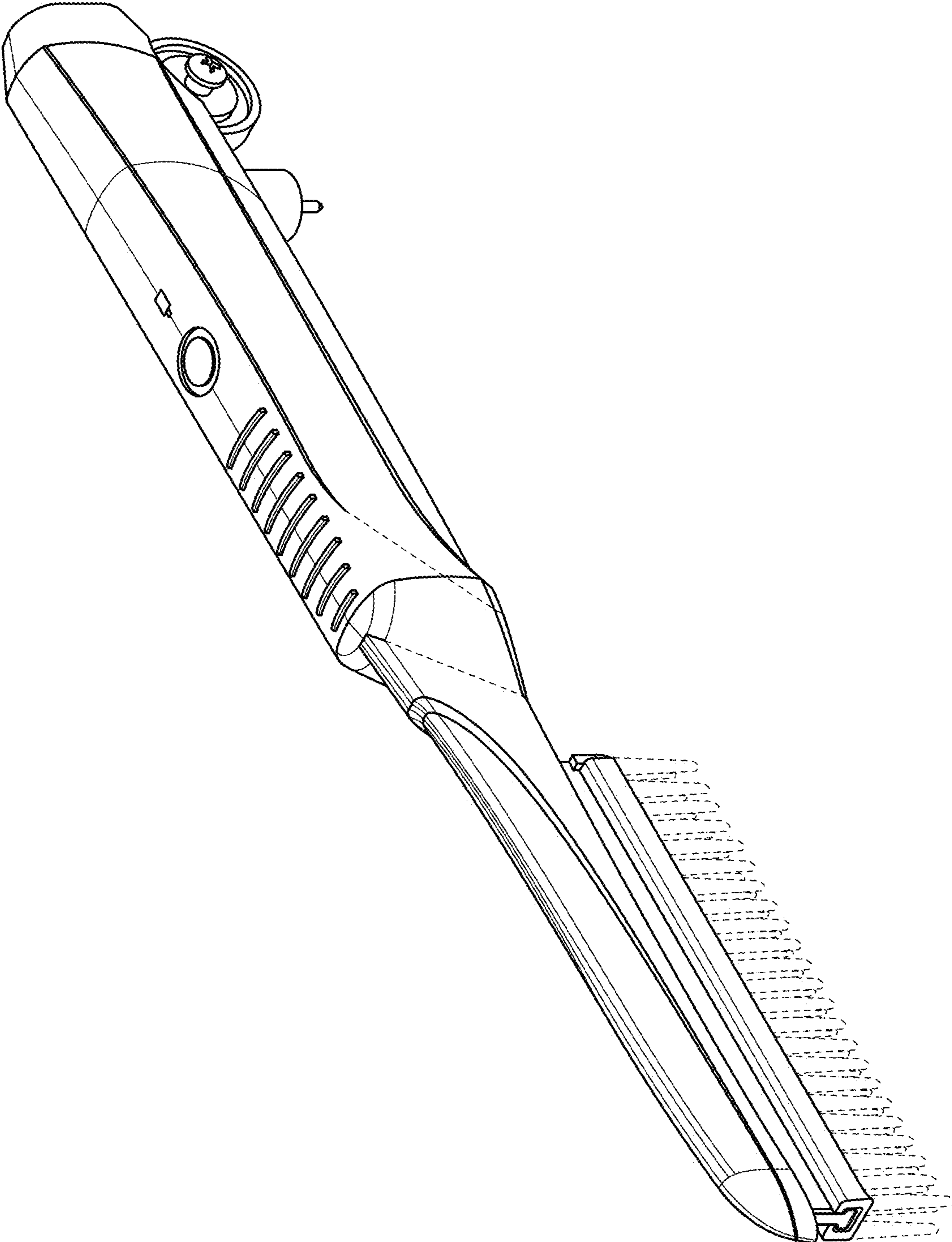


FIG. 15

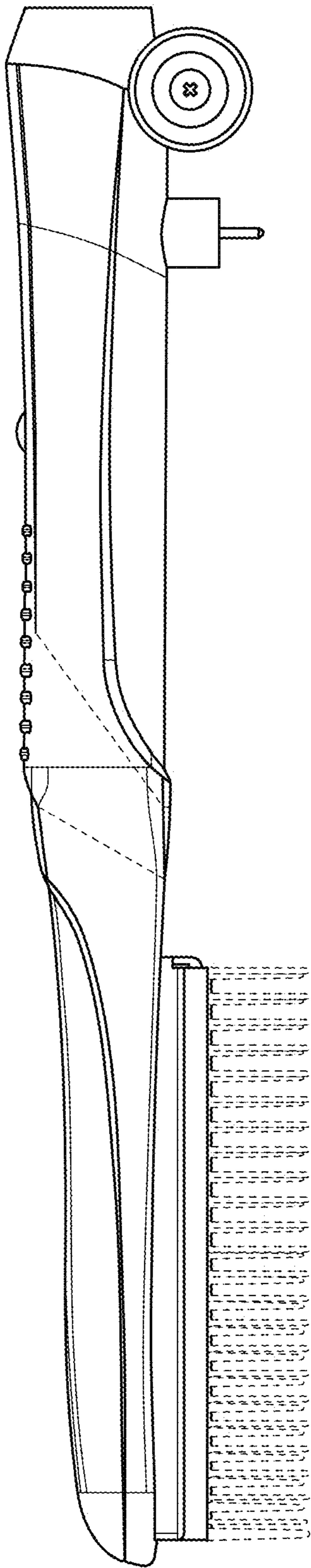


FIG. 16

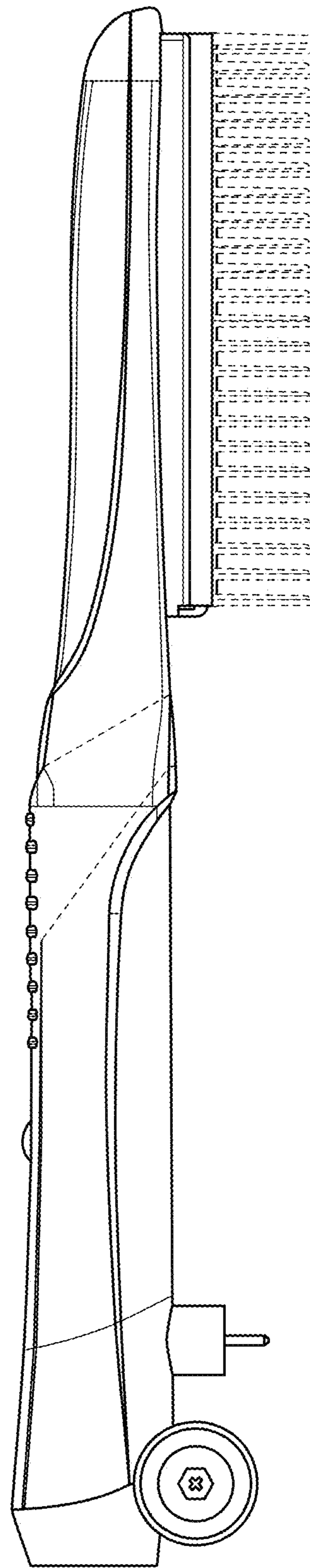


FIG. 17

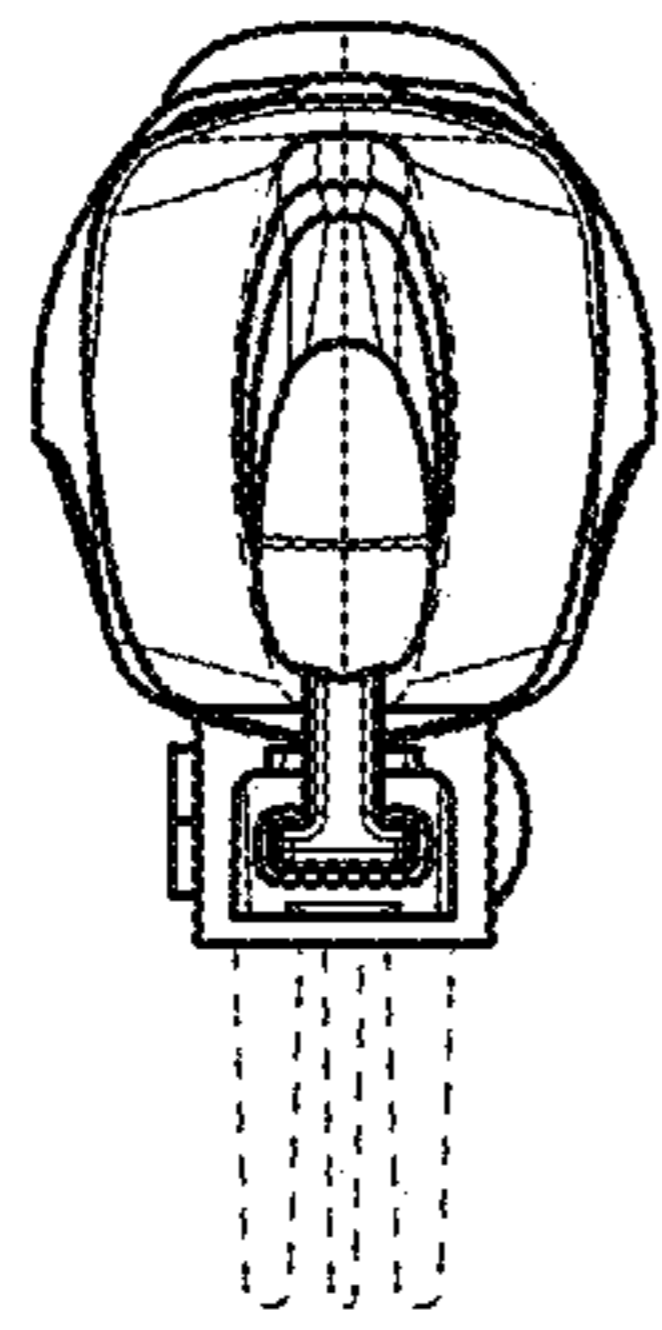


FIG. 18

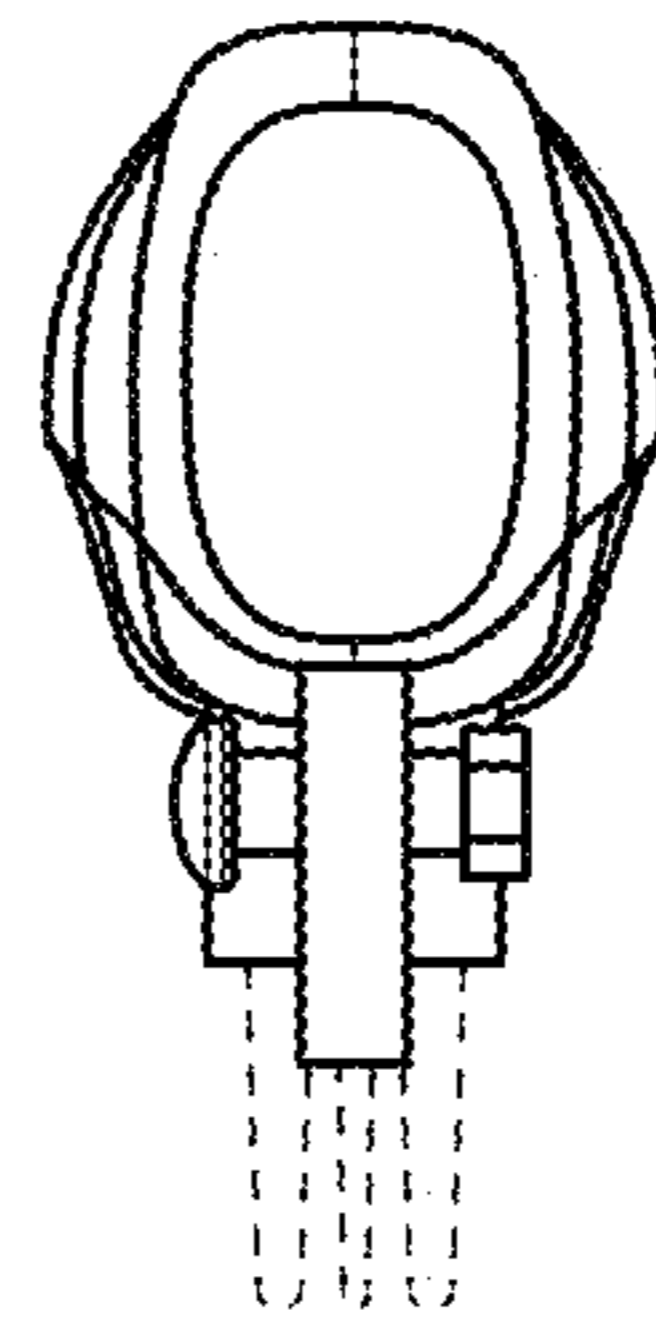


FIG. 19

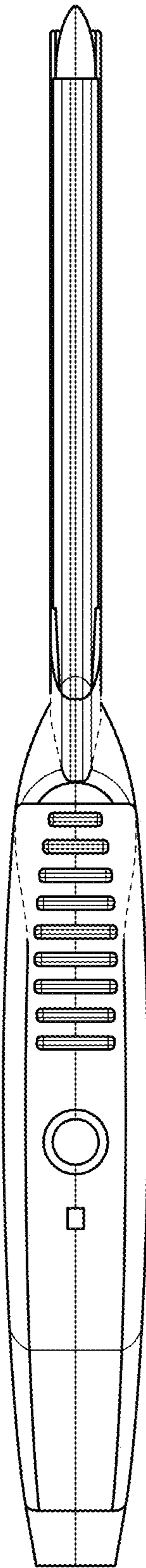


FIG. 20

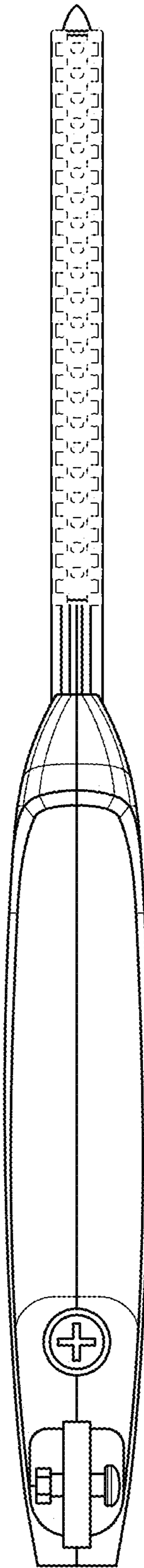


FIG. 21

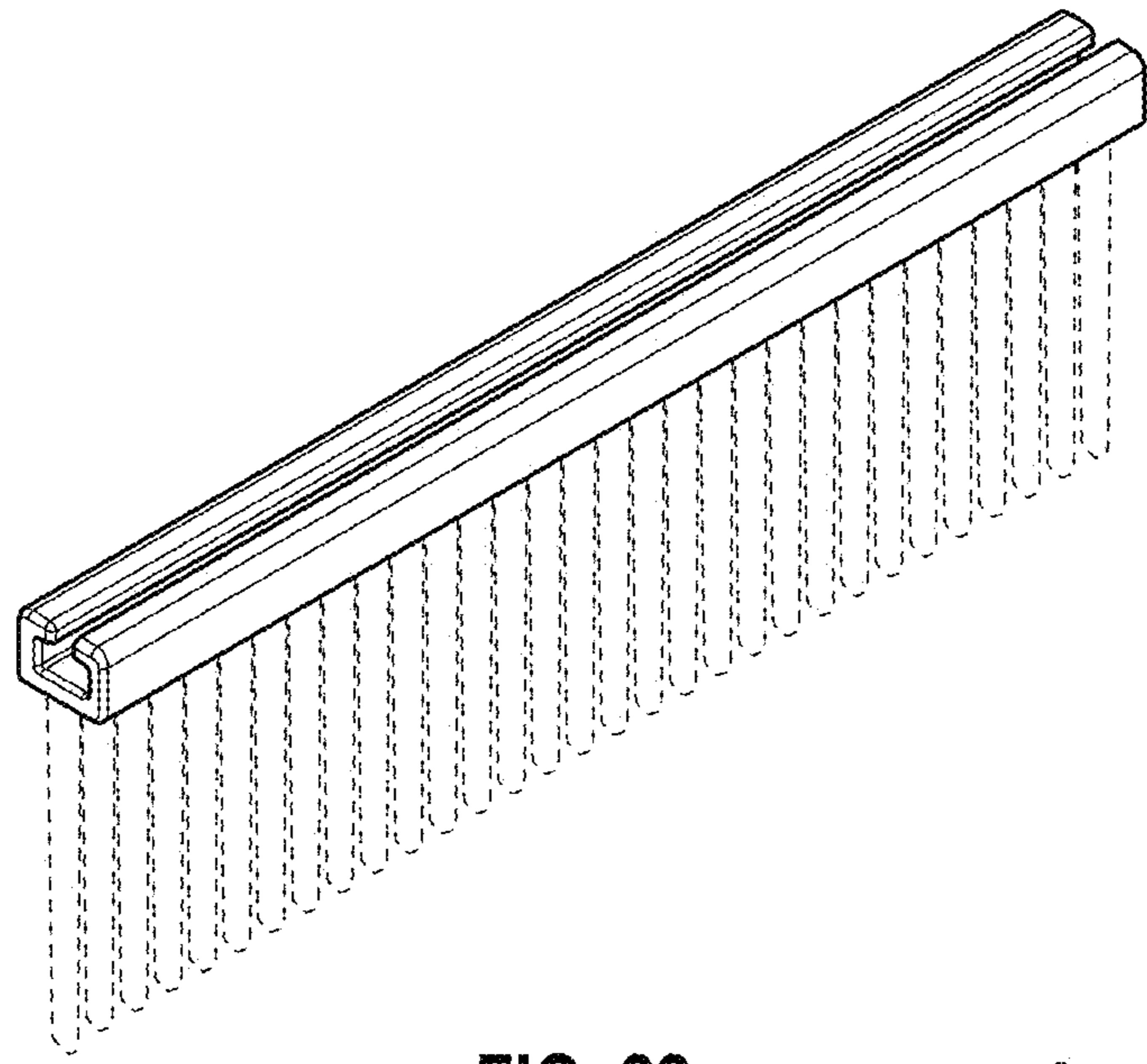


FIG. 22

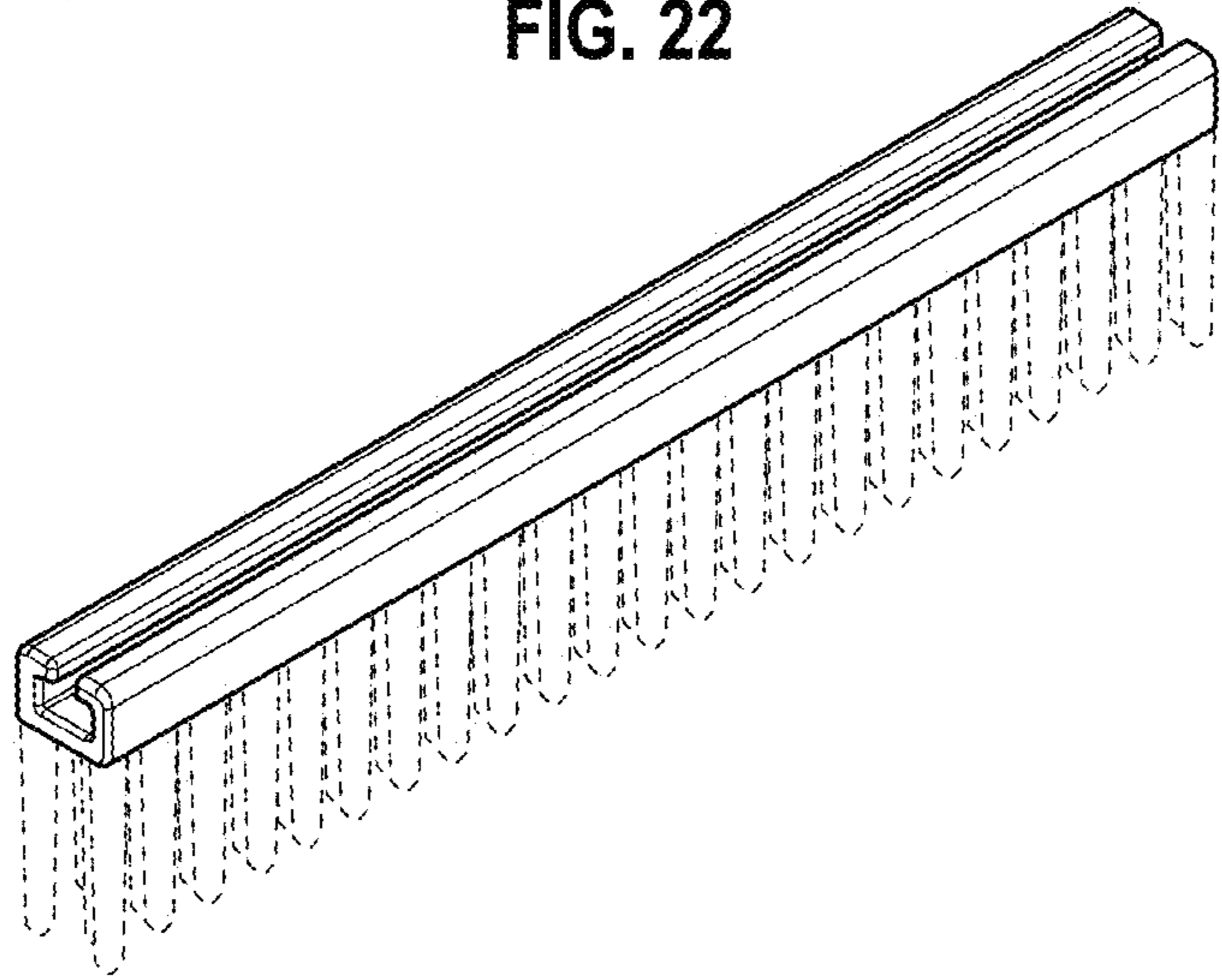


FIG. 23

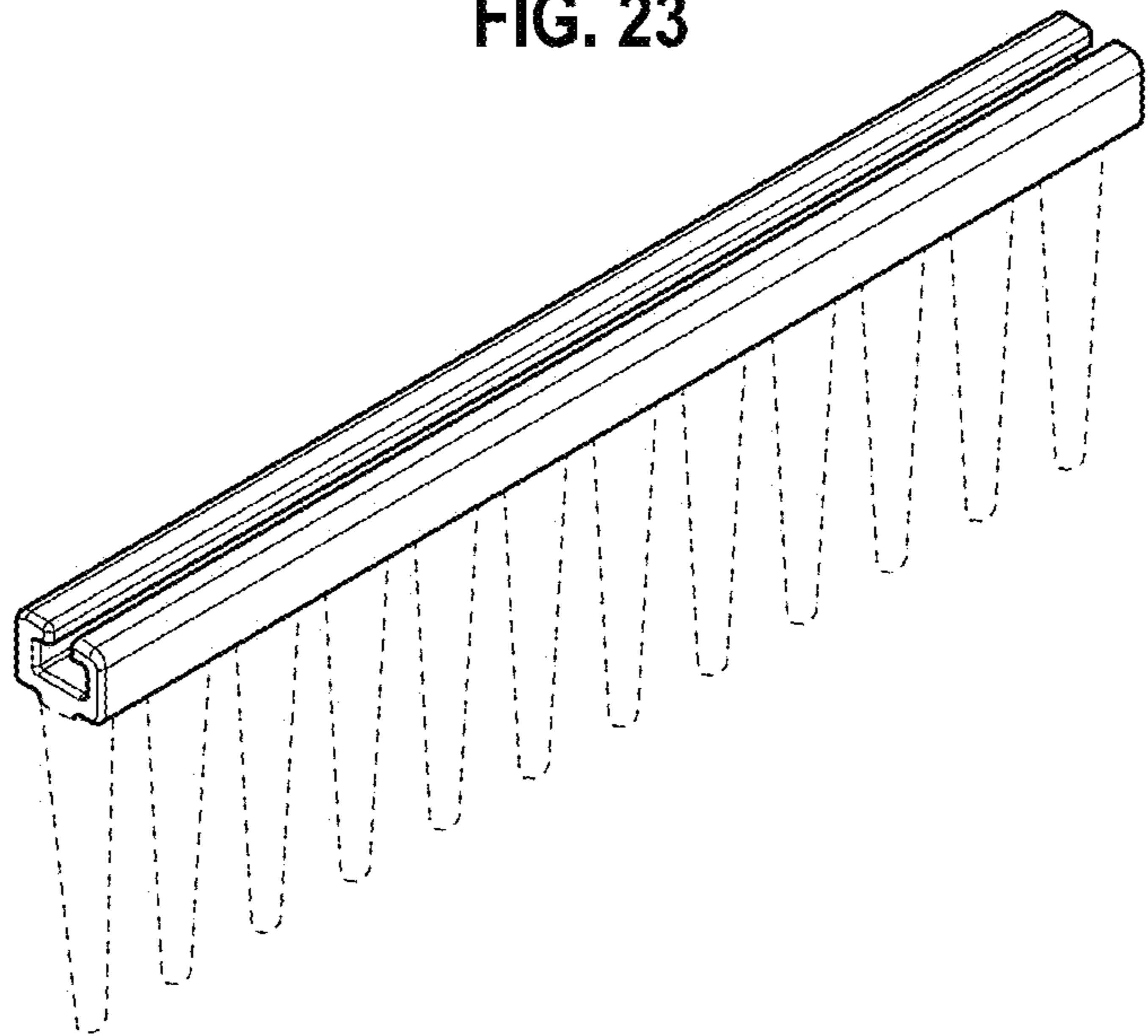


FIG. 24

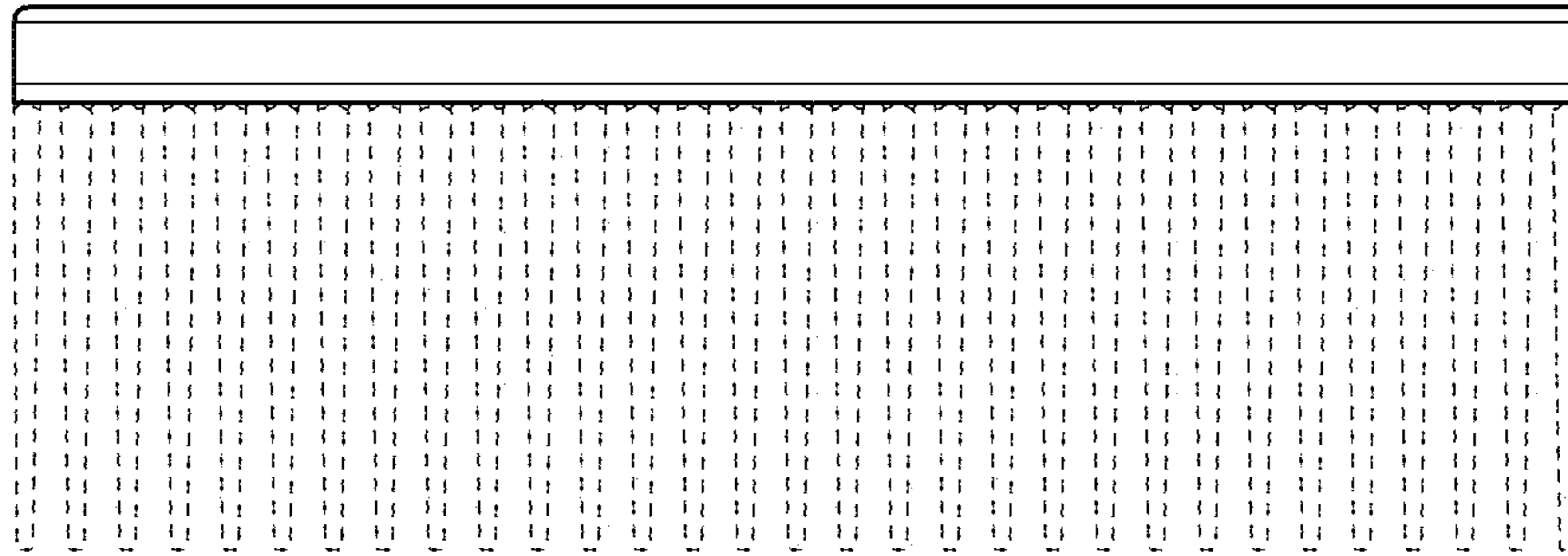


FIG. 25

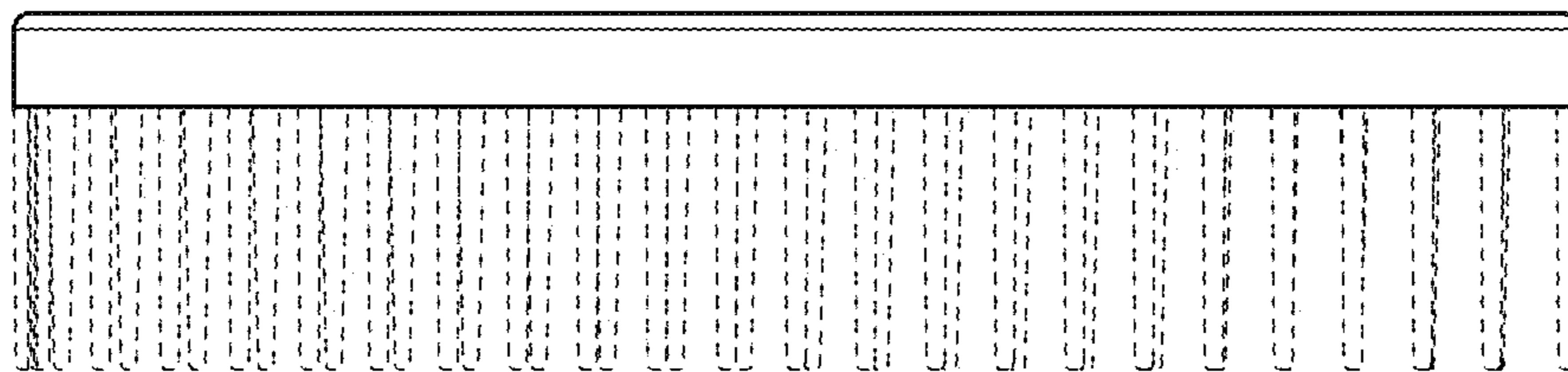


FIG. 26

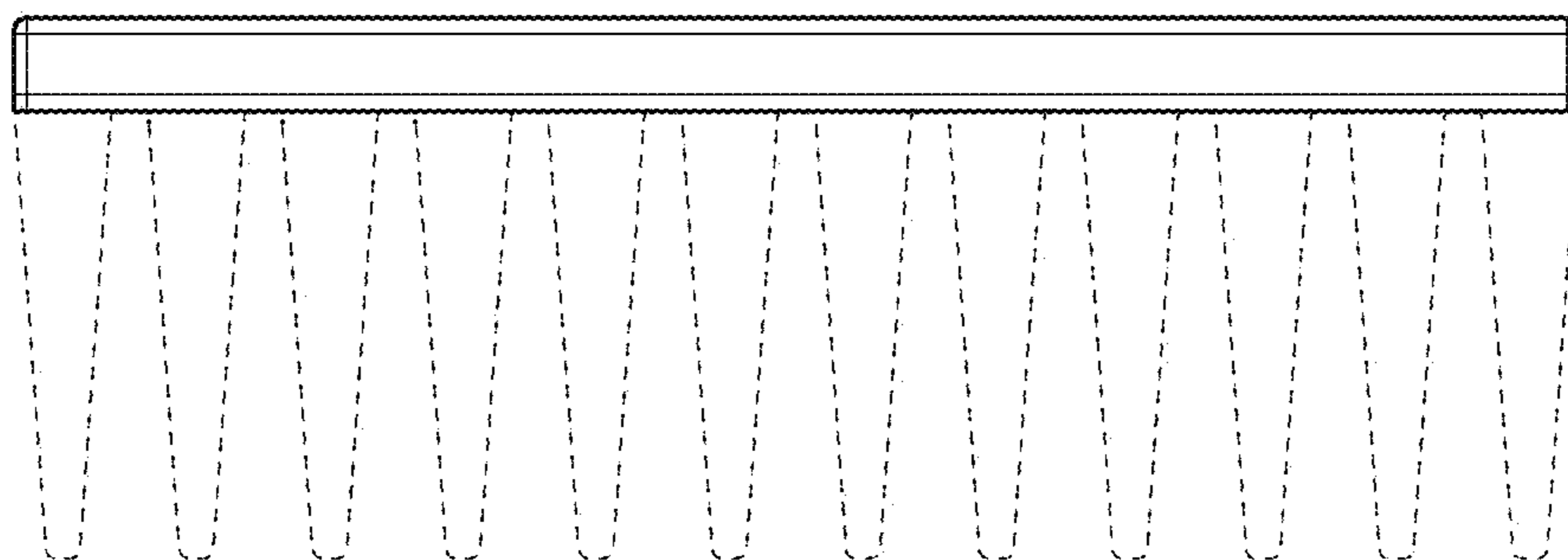


FIG. 27



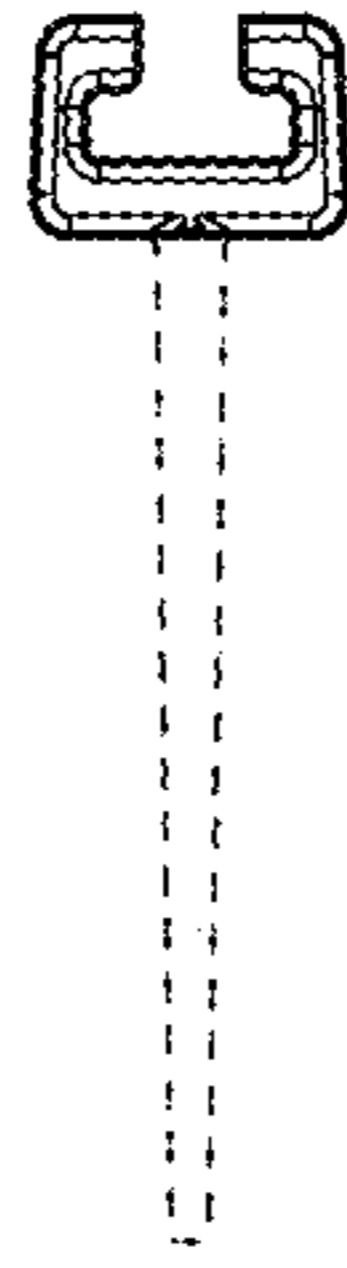


FIG. 28

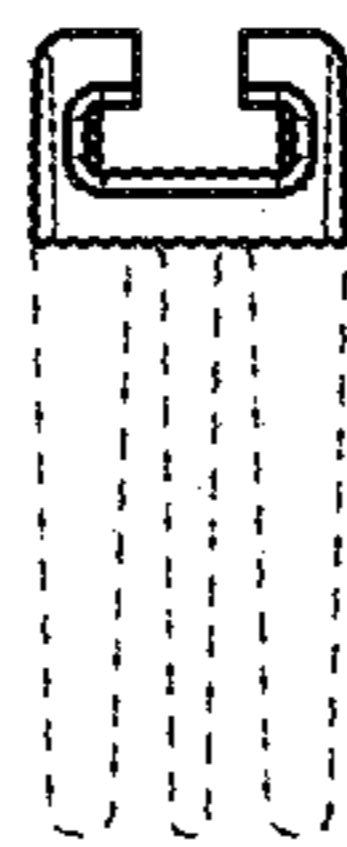


FIG. 29

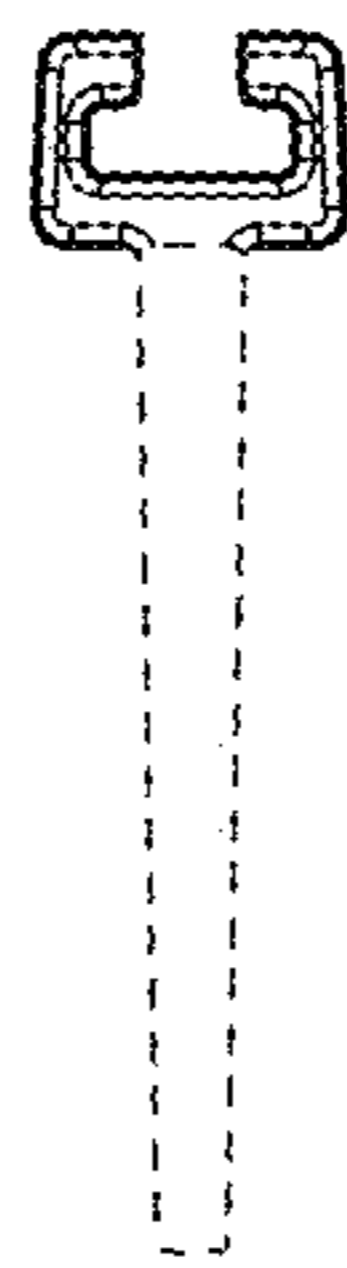


FIG. 30