



US00D918583S

(12) **United States Design Patent** (10) **Patent No.:** **US D918,583 S**
Fu (45) **Date of Patent:** **** May 11, 2021**

(54) **FIRE RESISTANT DOCUMENT BAG**

(71) Applicant: **Qiang Fu**, Eastwood (AU)

(72) Inventor: **Qiang Fu**, Eastwood (AU)

(**) Term: **15 Years**

(21) Appl. No.: **29/748,812**

(22) Filed: **Sep. 1, 2020**

(51) **LOC (13) Cl.** **03-01**

(52) **U.S. Cl.**
USPC **D3/289**

(58) **Field of Classification Search**
USPC D3/217, 226, 273, 276, 283, 289, 290,
D3/301, 900

CPC A45C 2001/101; A45C 2001/003; A45C
3/02; A62C 3/00

See application file for complete search history.

(56) **References Cited**

U.S. PATENT DOCUMENTS

D19,161 S	6/1889	Howe	
D292,746 S	11/1987	Allen	
5,056,603 A *	10/1991	Parkinson	A62C 3/00
			169/48
5,286,112 A *	2/1994	Bible	A45C 13/10
			24/306
D360,075 S *	7/1995	Cross	D3/276
D422,410 S *	4/2000	Bischoff	D3/276
D522,749 S *	6/2006	Tortorella	D3/299
D548,967 S *	8/2007	Bell	D3/287
D554,528 S	11/2007	Brandon	
D604,045 S *	11/2009	Schantz	D3/299
7,680,401 B1 *	3/2010	Adelstein	A45C 9/00
			396/1
D725,908 S	4/2015	Zwetzig	
D735,992 S	8/2015	Tucker	
D829,244 S	9/2018	Sullivan	

D831,498 S	10/2018	Zhang	
D858,988 S *	9/2019	Dumas	D3/289
D873,565 S *	1/2020	Long	D3/290
D885,752 S *	6/2020	Dumas	D3/217
D904,021 S *	12/2020	Sanz	D3/283
2020/0001125 A1 *	1/2020	Vandemark	A62C 3/00

OTHER PUBLICATIONS

Amazon, "Flypal Fireproof Document Bags with Lock, Extra Large 16" x12.6" x 6.5", Waterproof Fire Proof Lock Box Bag, Black", First on sale Sep. 23, 2019. (<https://www.amazon.com/Flypal-Fireproof-Documents-Extra-Waterproof/dp/B07SPZ93V5>) (Year: 2019).*

Amazon, "TRIKTON Super Extra Large 18x13x5 Fireproof Document Safe Bag with TSA-Lock . . .", First on sale Oct. 24, 2018. (<https://www.amazon.com/dp/B07RGL2W87/>) (Year: 2018).*

* cited by examiner

Primary Examiner — April Rivas
(74) *Attorney, Agent, or Firm* — Mitchell Law PLLC;
Matthew W. Mitchell

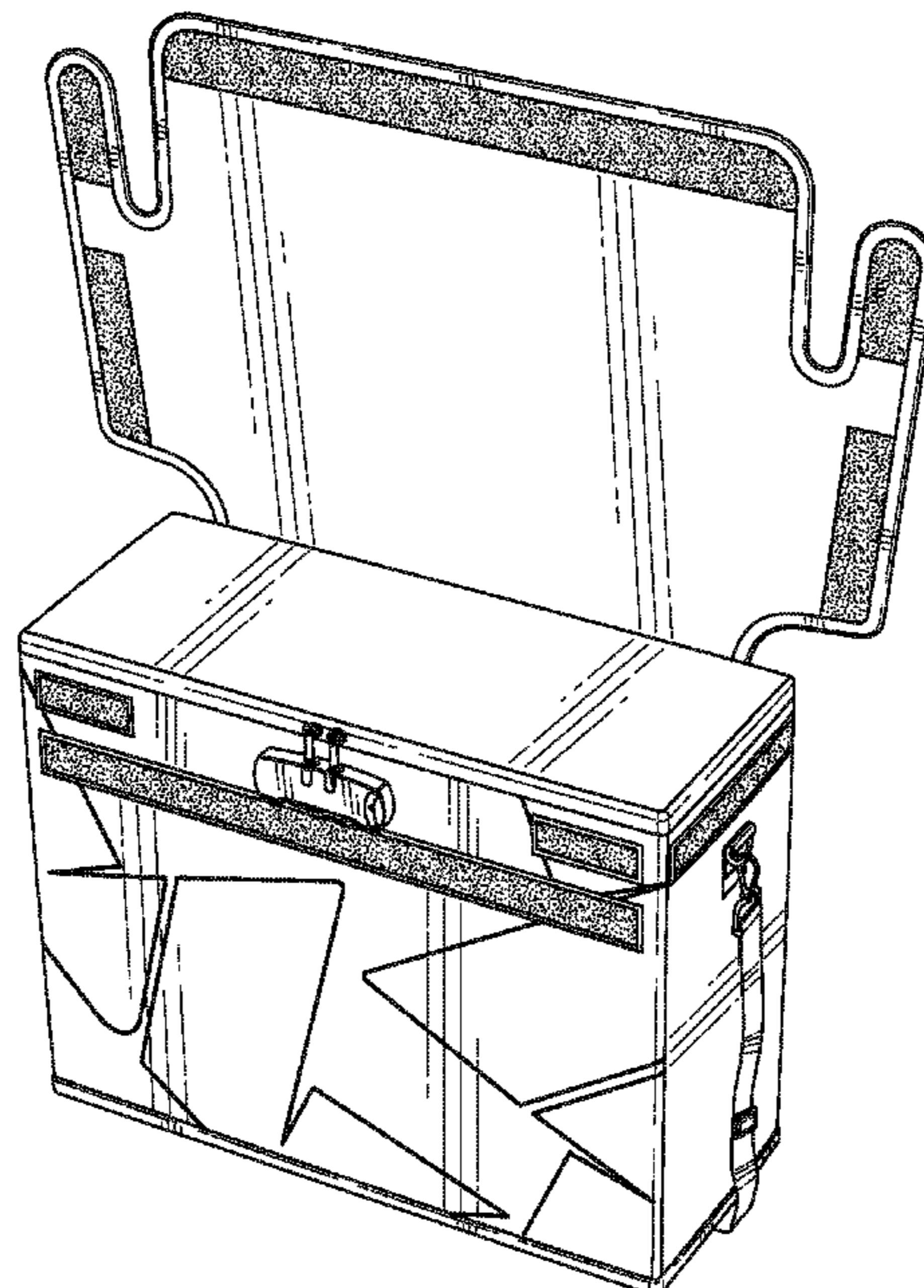
(57) **CLAIM**

The ornamental design for a fire resistant document bag, as shown and described.

DESCRIPTION

FIG. 1 is a front perspective view of the fire resistant document bag of the present invention; FIG. 2 is rear angled view thereof; FIG. 3 is a front view thereof; FIG. 4 is a rear view thereof; FIG. 5 is a left-side view thereof; FIG. 6 is a right-side view thereof; FIG. 7 is a top plan view thereof; and, FIG. 8 is a bottom plan view thereof. The stippling in the views is a hook-and-loop material and forms part of the claimed design.

1 Claim, 8 Drawing Sheets



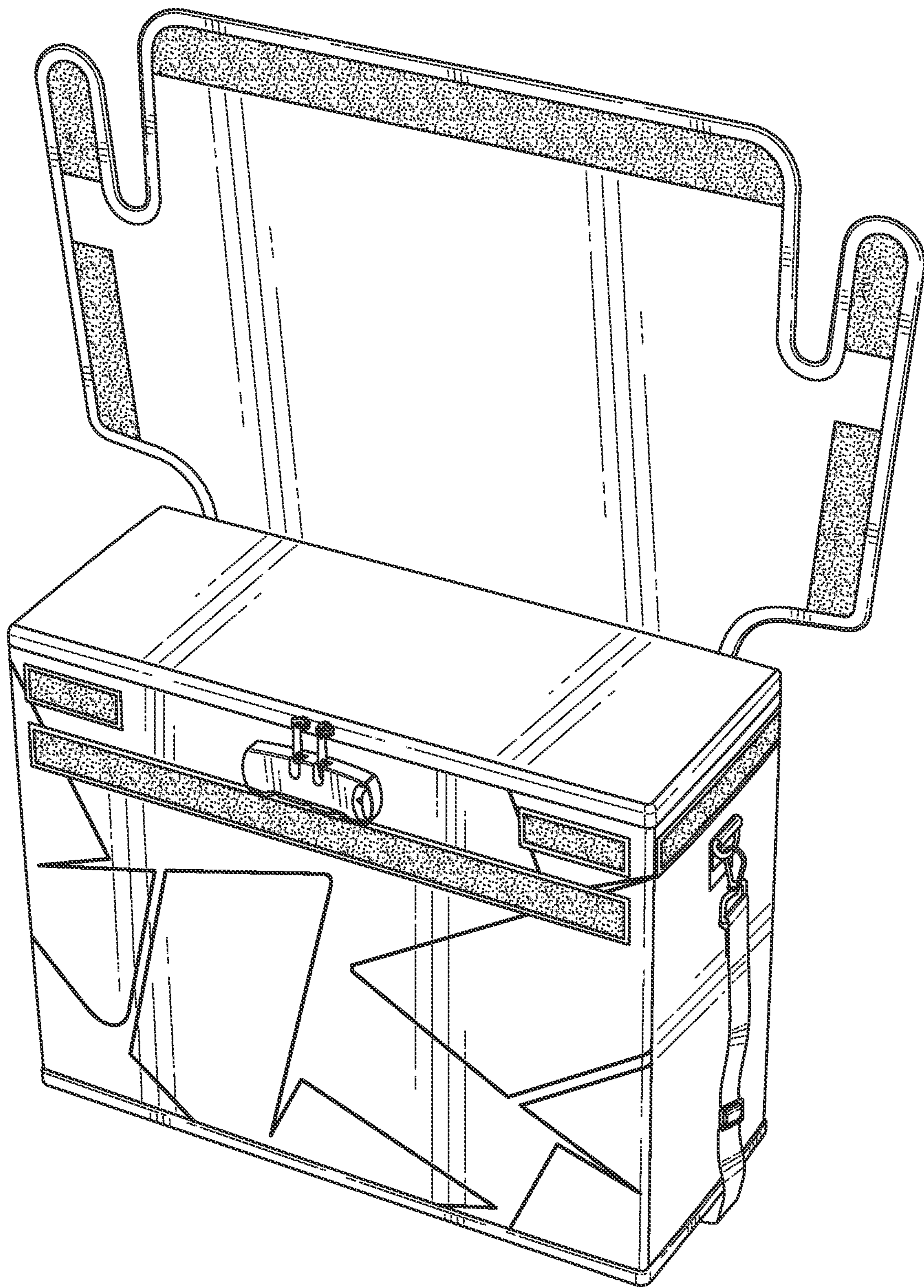


FIG. 1

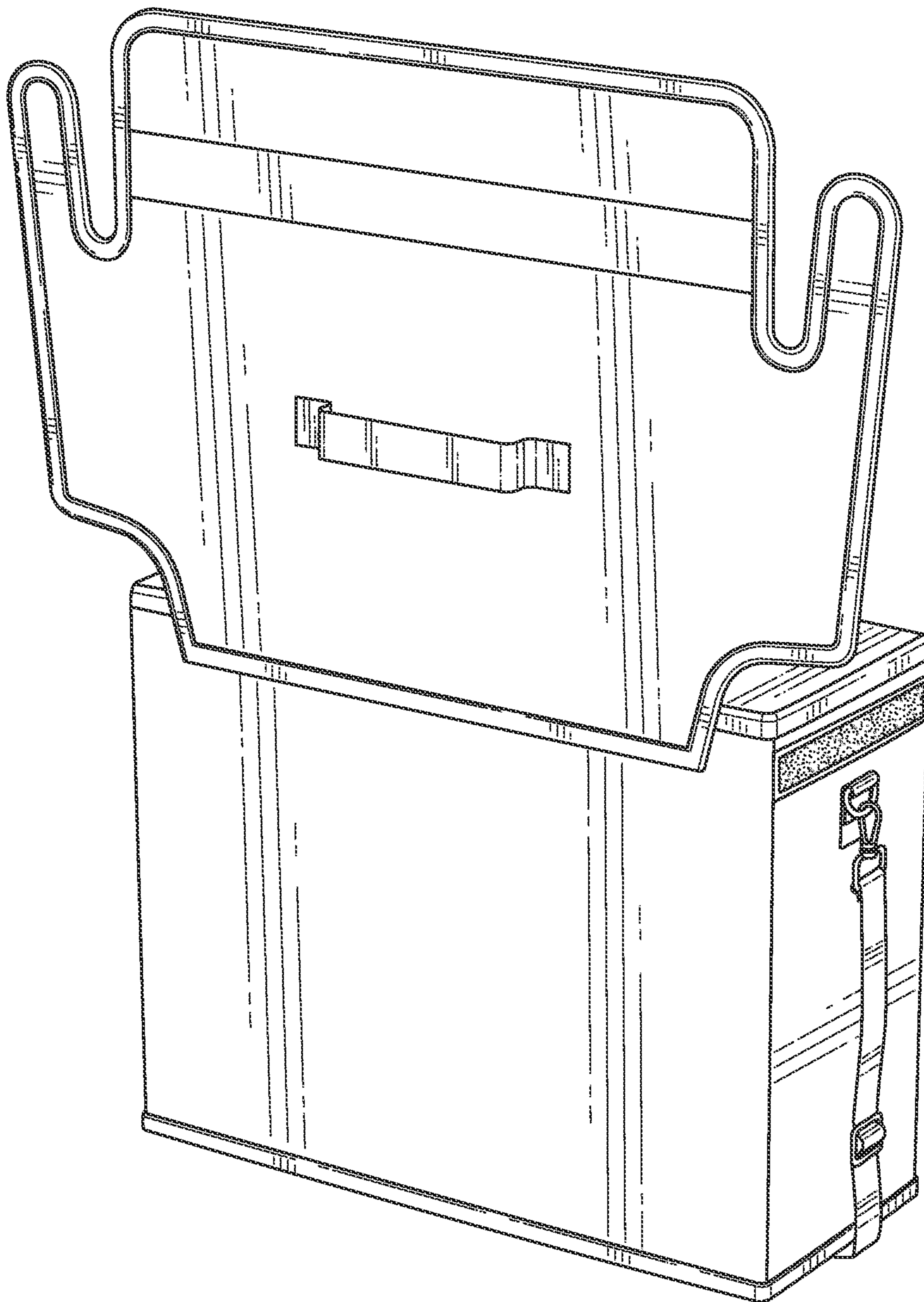


FIG. 2

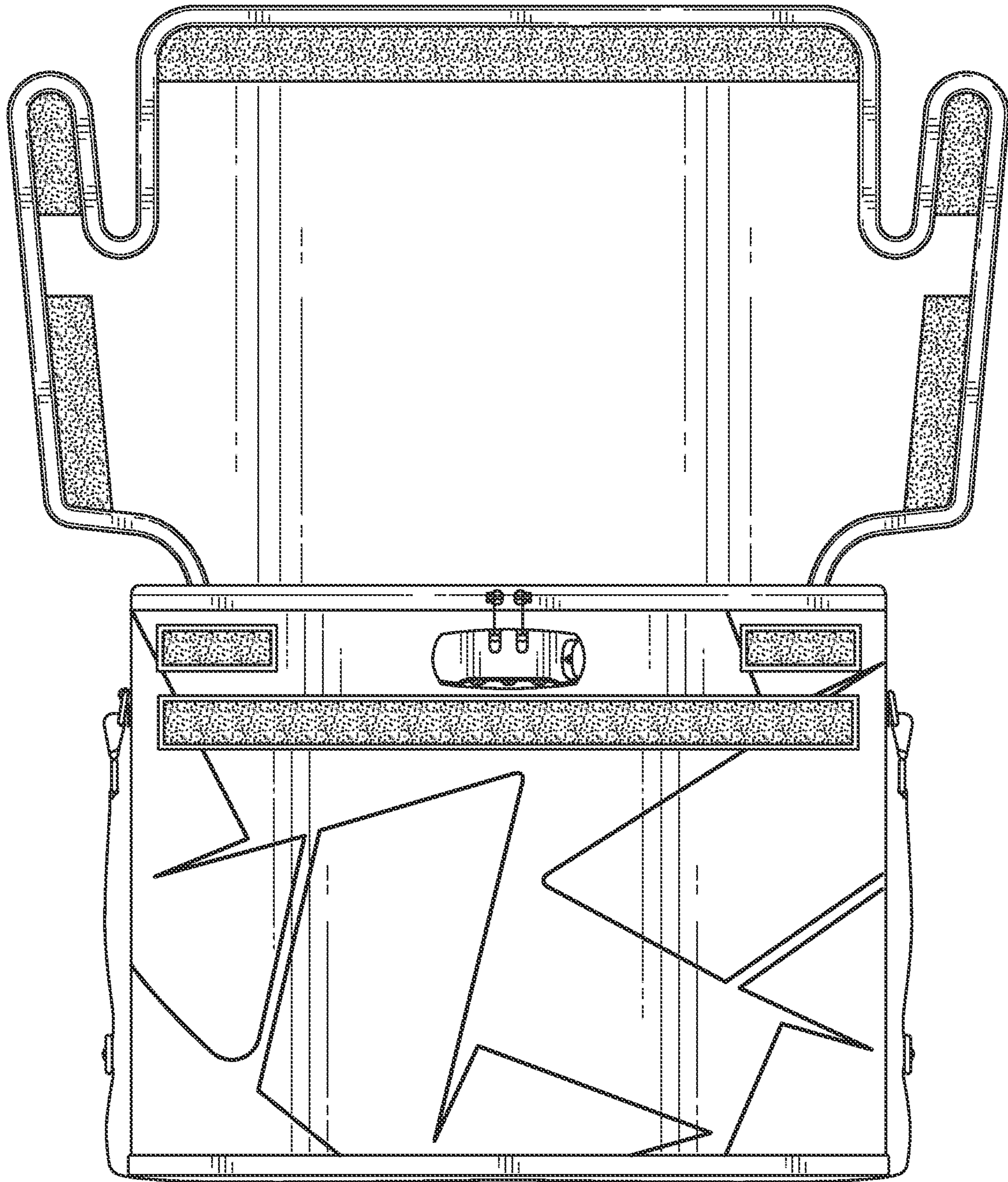


FIG. 3

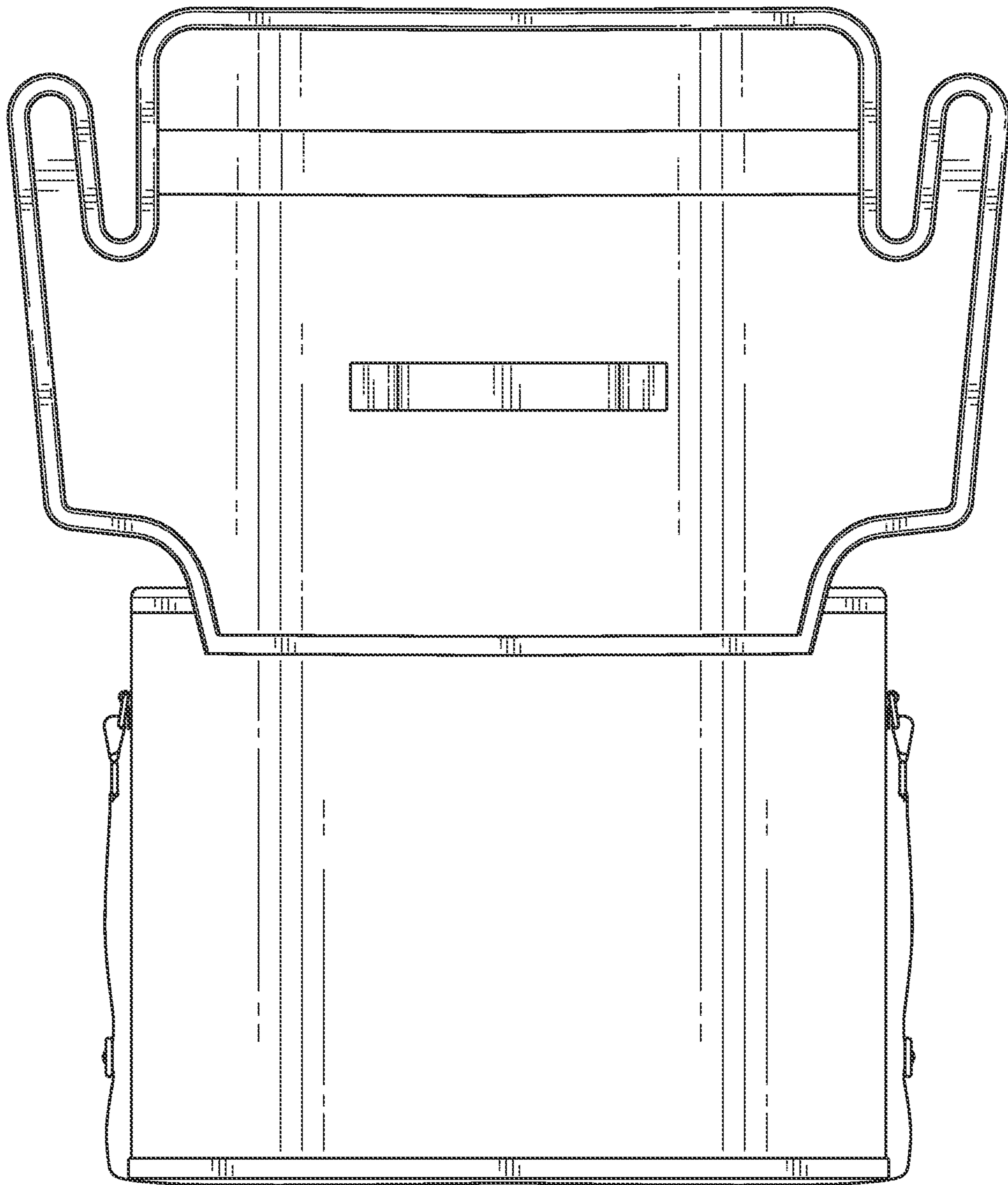


FIG. 4

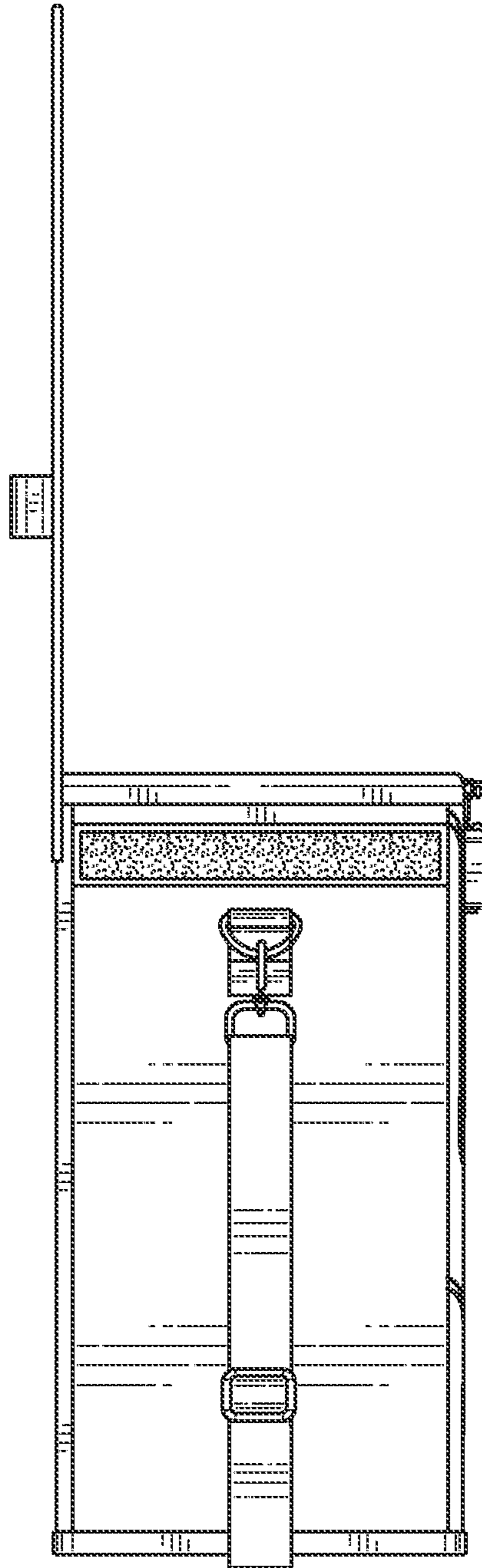


FIG. 5

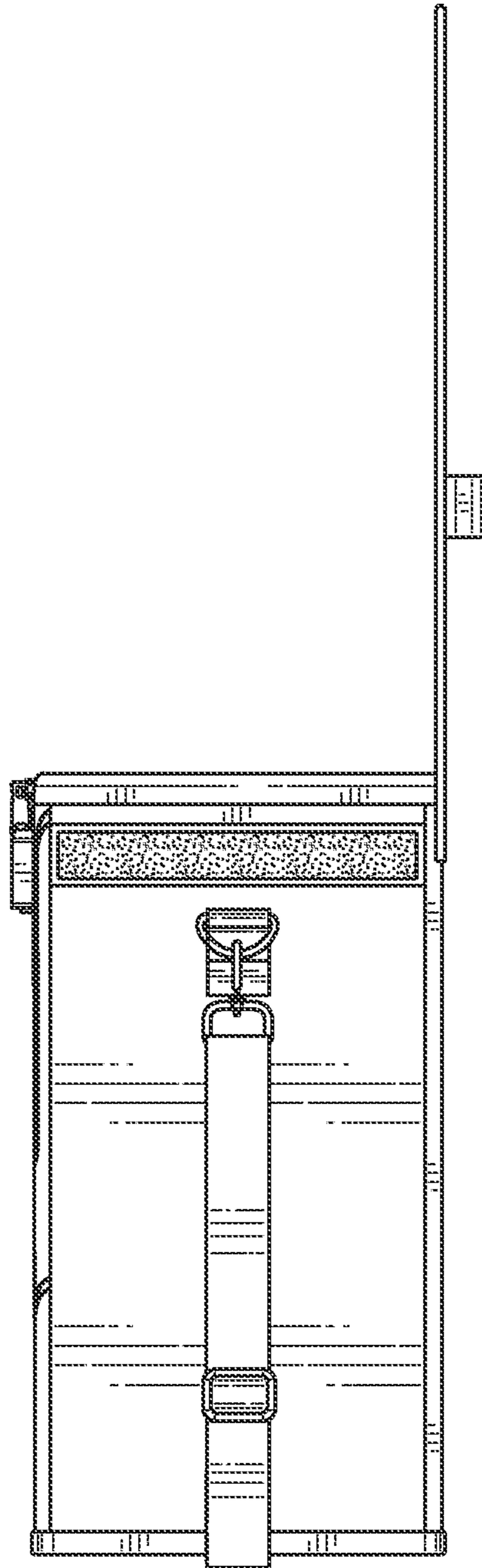


FIG. 6

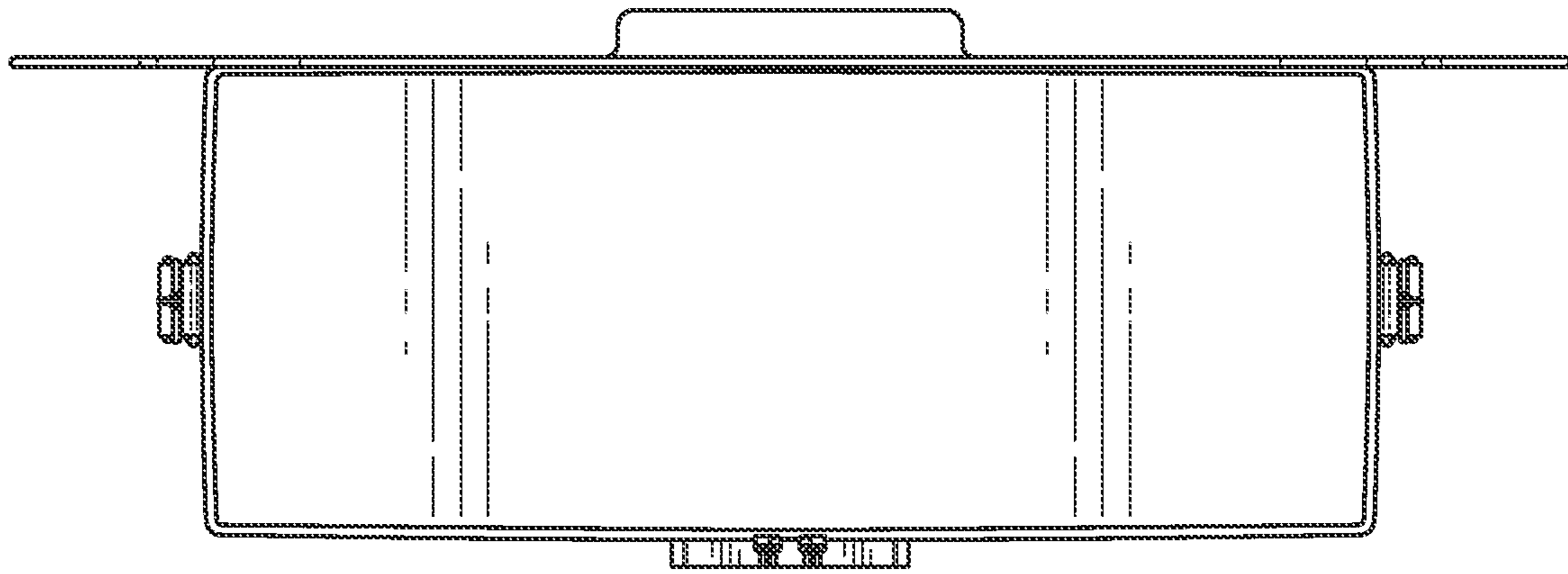


FIG. 7

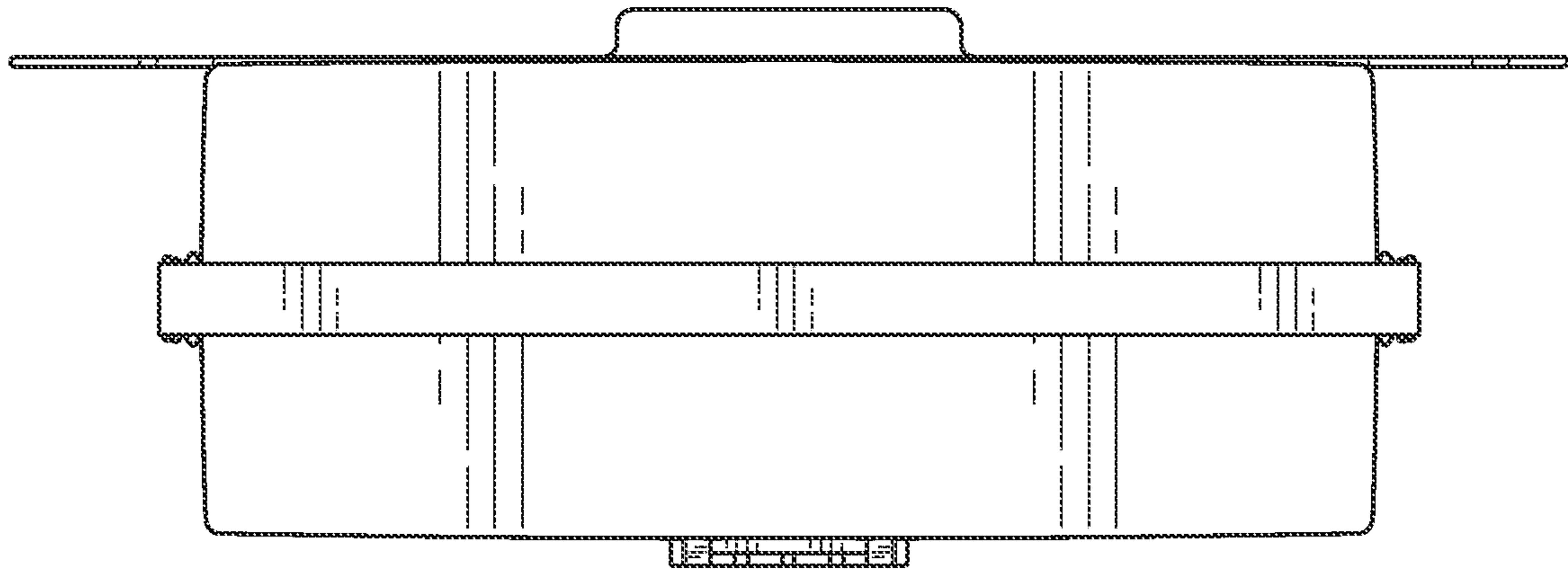


FIG. 8