



US00D918582S

(12) **United States Design Patent**
Chen

(10) **Patent No.:** **US D918,582 S**

(45) **Date of Patent:** **** May 11, 2021**

(54) **SUITCASE**

D881,570 S * 4/2020 Rubio D3/279
D885,761 S * 6/2020 Wu D3/279

(71) Applicant: **SHENZHEN YUANDAOYUAN INDUSTRIAL CO., LTD**, Shenzhen (CN)

* cited by examiner

Primary Examiner — April Rivas

(72) Inventor: **Jianhua Chen**, Maoming (CN)

(74) *Attorney, Agent, or Firm* — Li & Cai Intellectual Property (USA) Office

(73) Assignee: **SHENZHEN YUANDAOYUAN INDUSTRIAL CO., LTD**, Shenzhen (CN)

(**) Term: **15 Years**

(21) Appl. No.: **29/727,782**

(22) Filed: **Mar. 13, 2020**

(51) **LOC (13) Cl.** **03-01**

(52) **U.S. Cl.**

USPC **D3/279**

(58) **Field of Classification Search**

USPC D3/272, 273, 279, 289, 321, 902

CPC A45C 5/03; A45C 2005/032; A45C 2005/037; A45C 2009/005; A45C 5/14

See application file for complete search history.

(56) **References Cited**

U.S. PATENT DOCUMENTS

D801,047 S * 10/2017 Bhatnagar D3/279

D810,434 S * 2/2018 Xu D3/279

(57) **CLAIM**

The ornamental design for a suitcase, as shown and described.

DESCRIPTION

FIG. 1 is a front right and top perspective view of a suitcase showing my new design;

FIG. 2 is a front elevational view thereof;

FIG. 3 is a rear elevational view thereof;

FIG. 4 is a left side elevational view thereof;

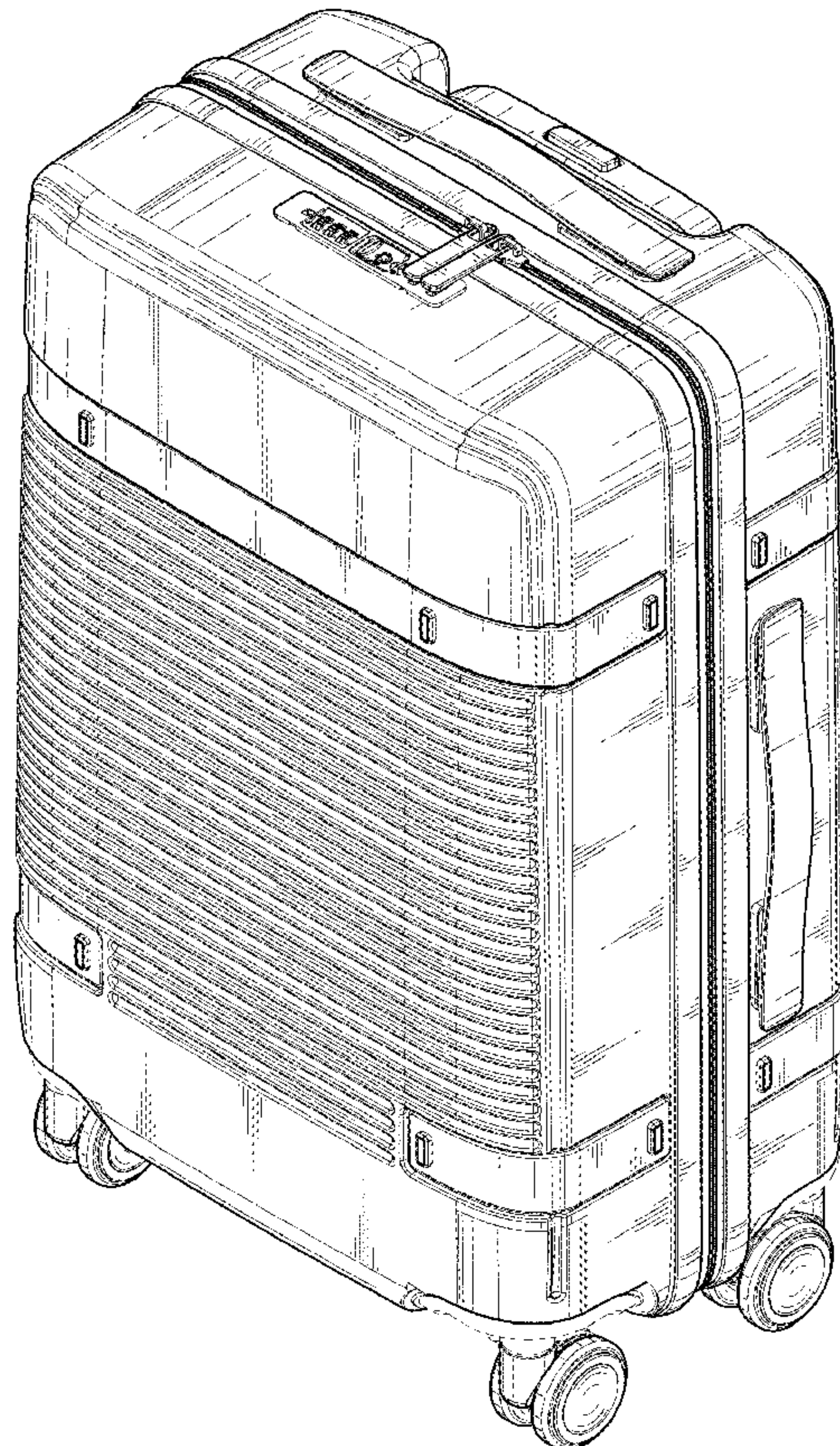
FIG. 5 is a right side elevational view thereof;

FIG. 6 is a top plan view thereof; and,

FIG. 7 is a bottom plan view thereof.

The broken lines in the drawing depict portions of the suitcase that form no part of the claimed design.

1 Claim, 7 Drawing Sheets



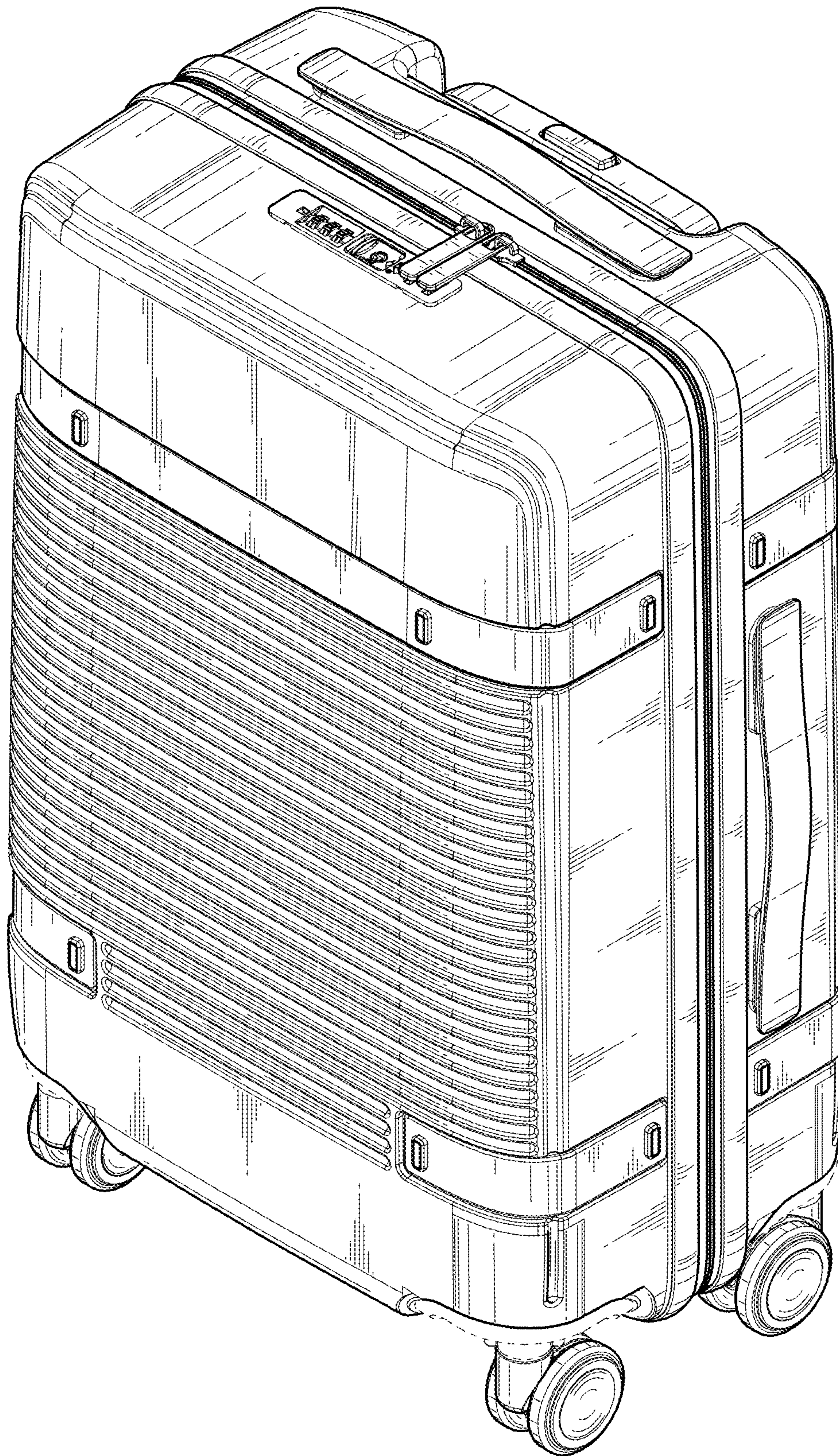


FIG. 1

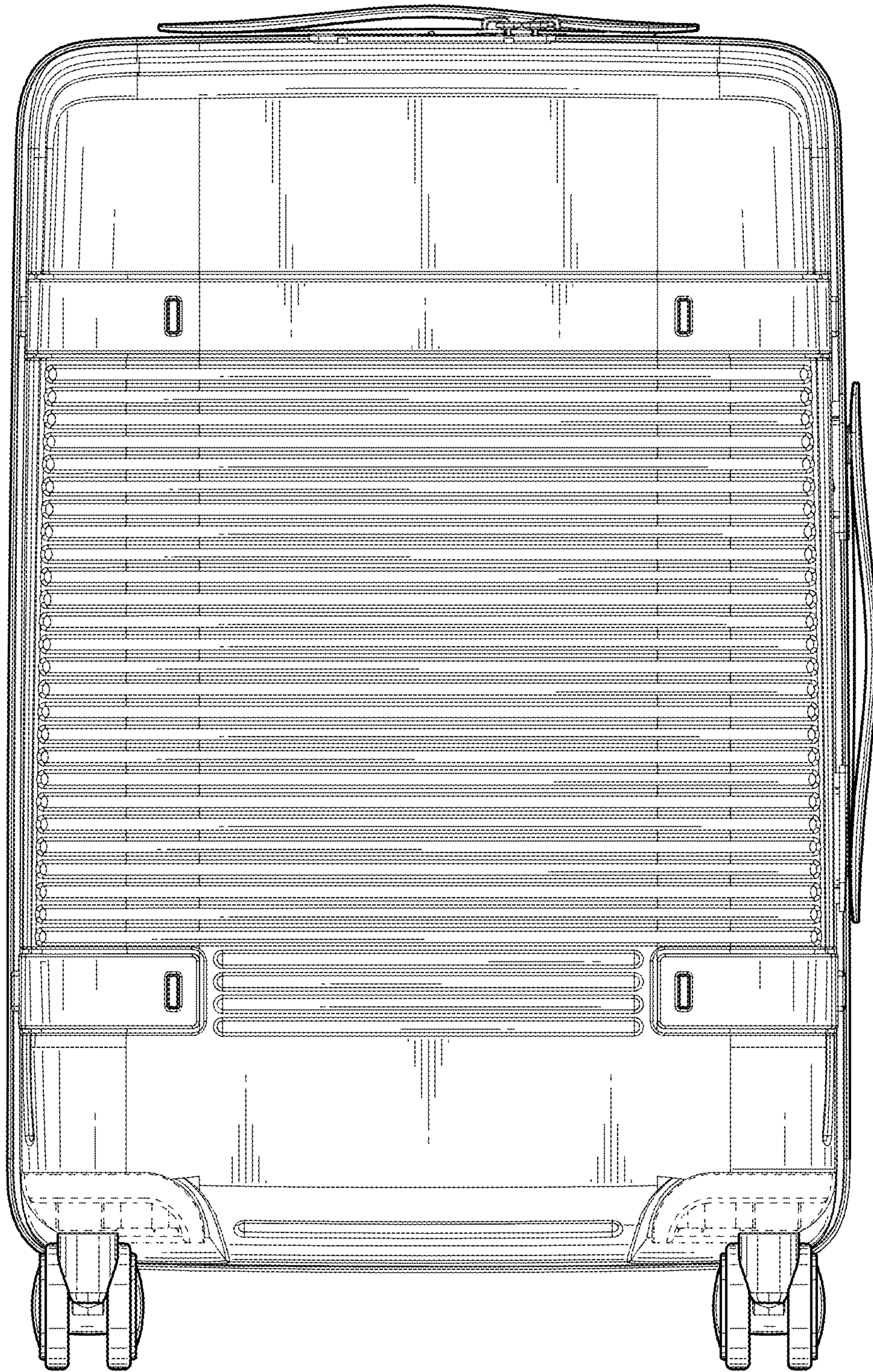


FIG. 2

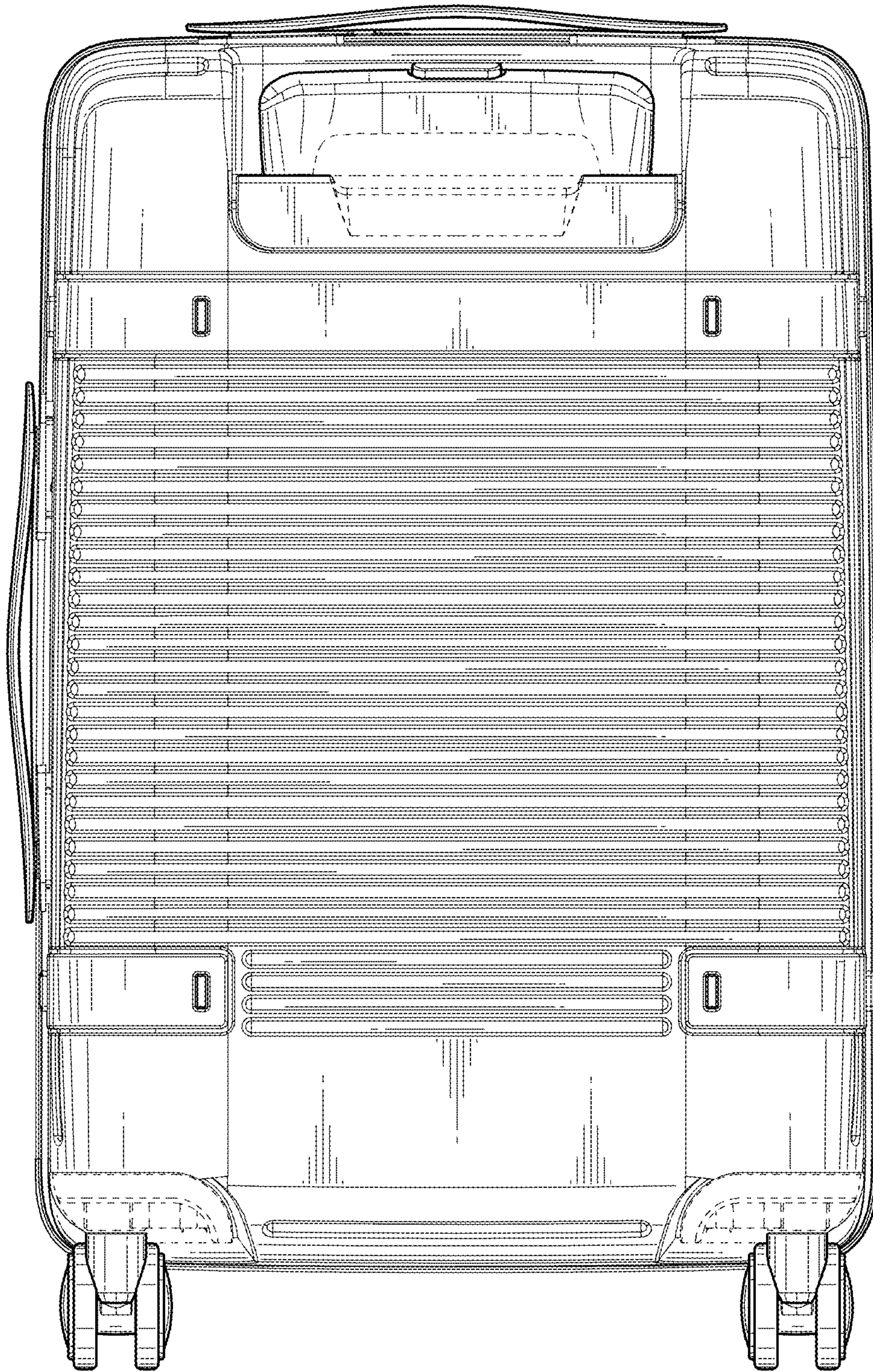


FIG. 3

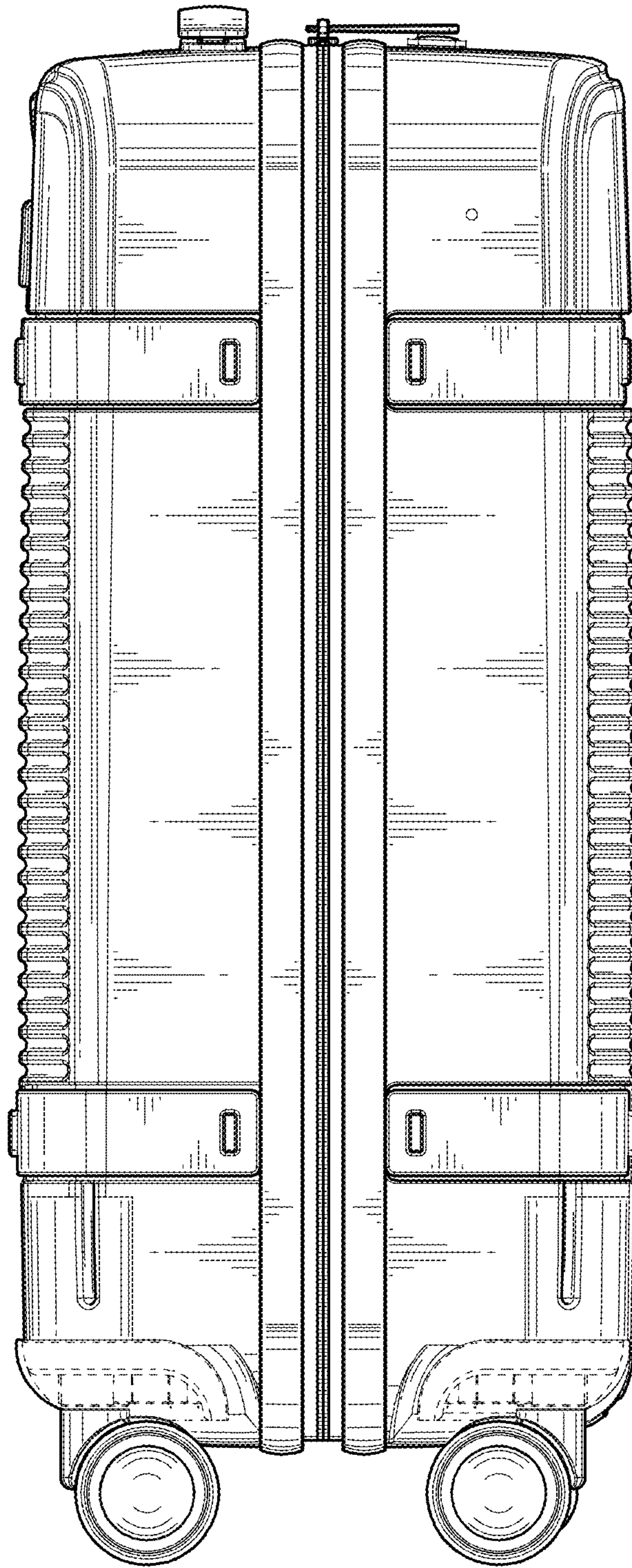


FIG. 4

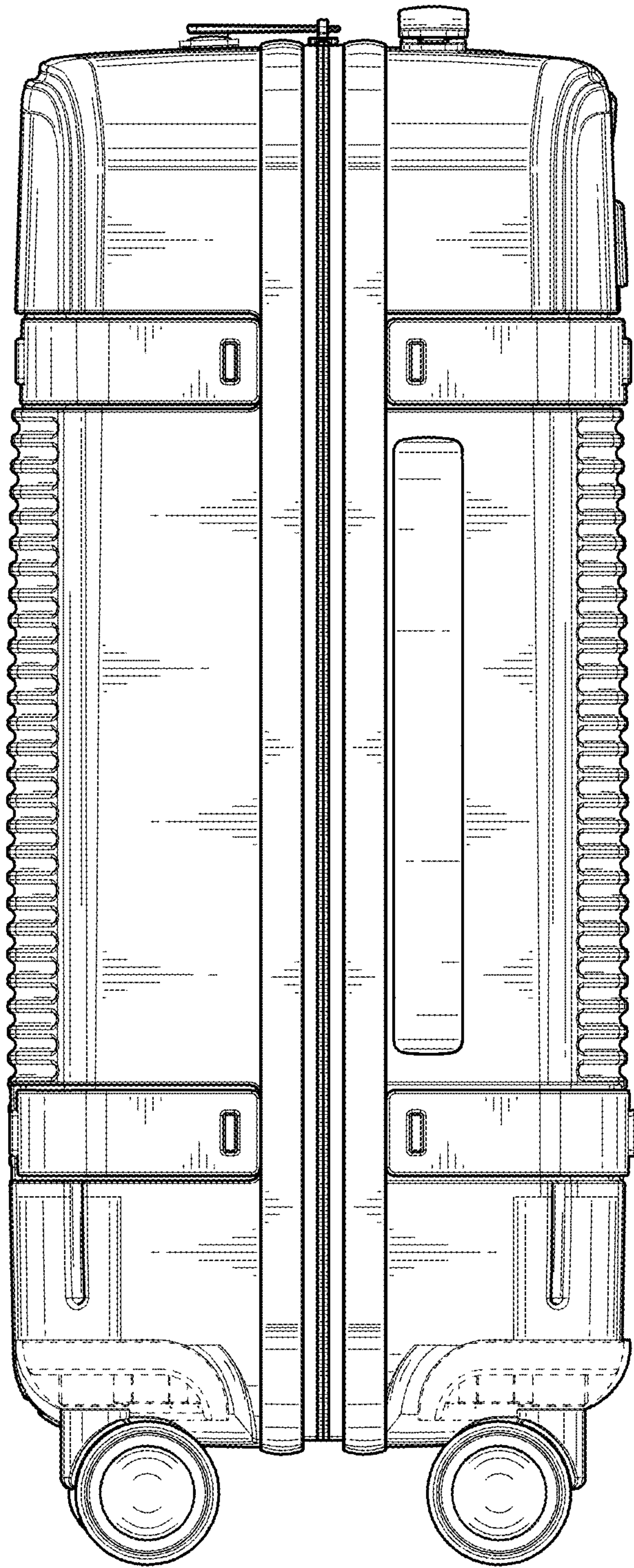


FIG. 5

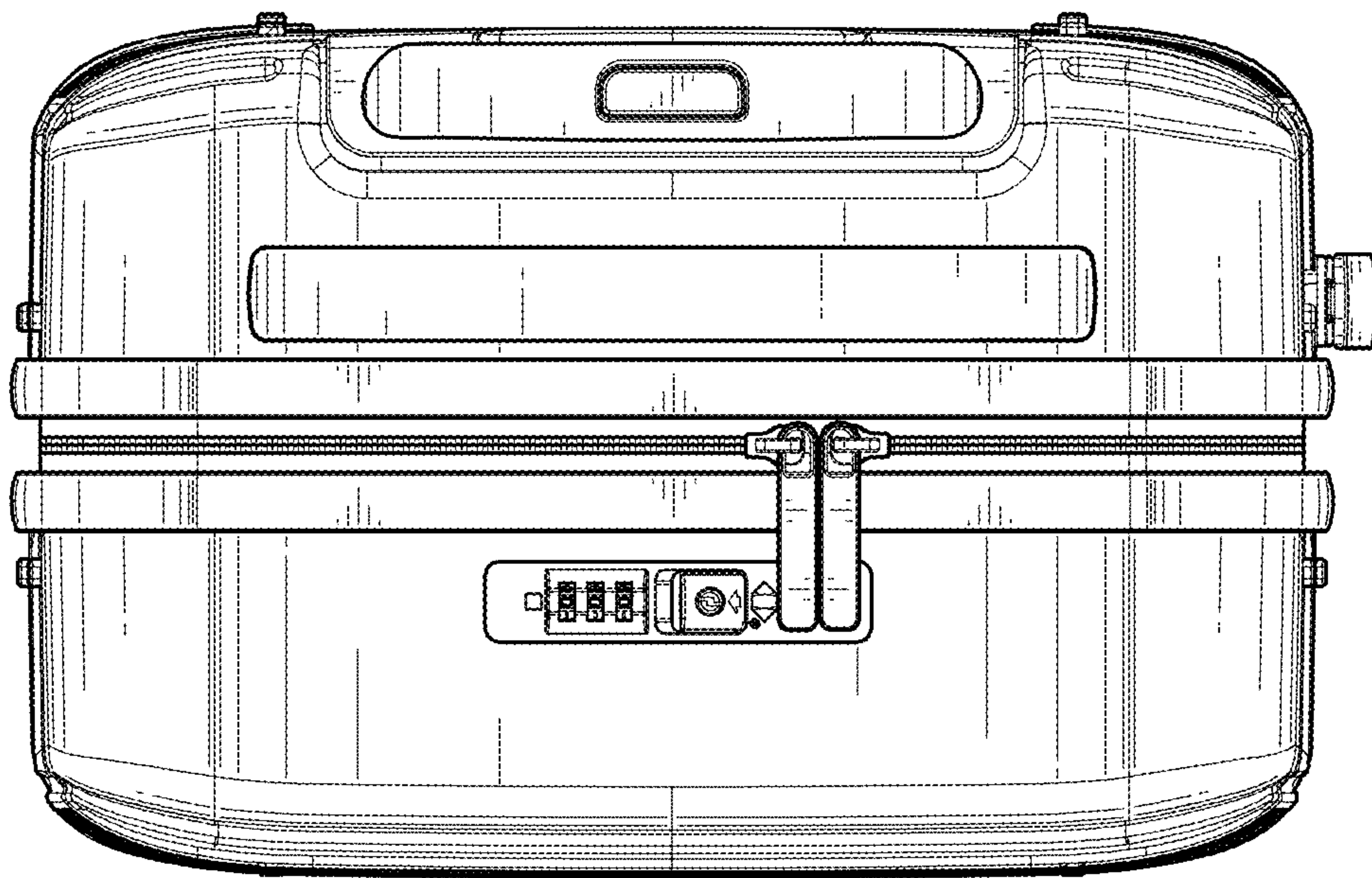


FIG. 6

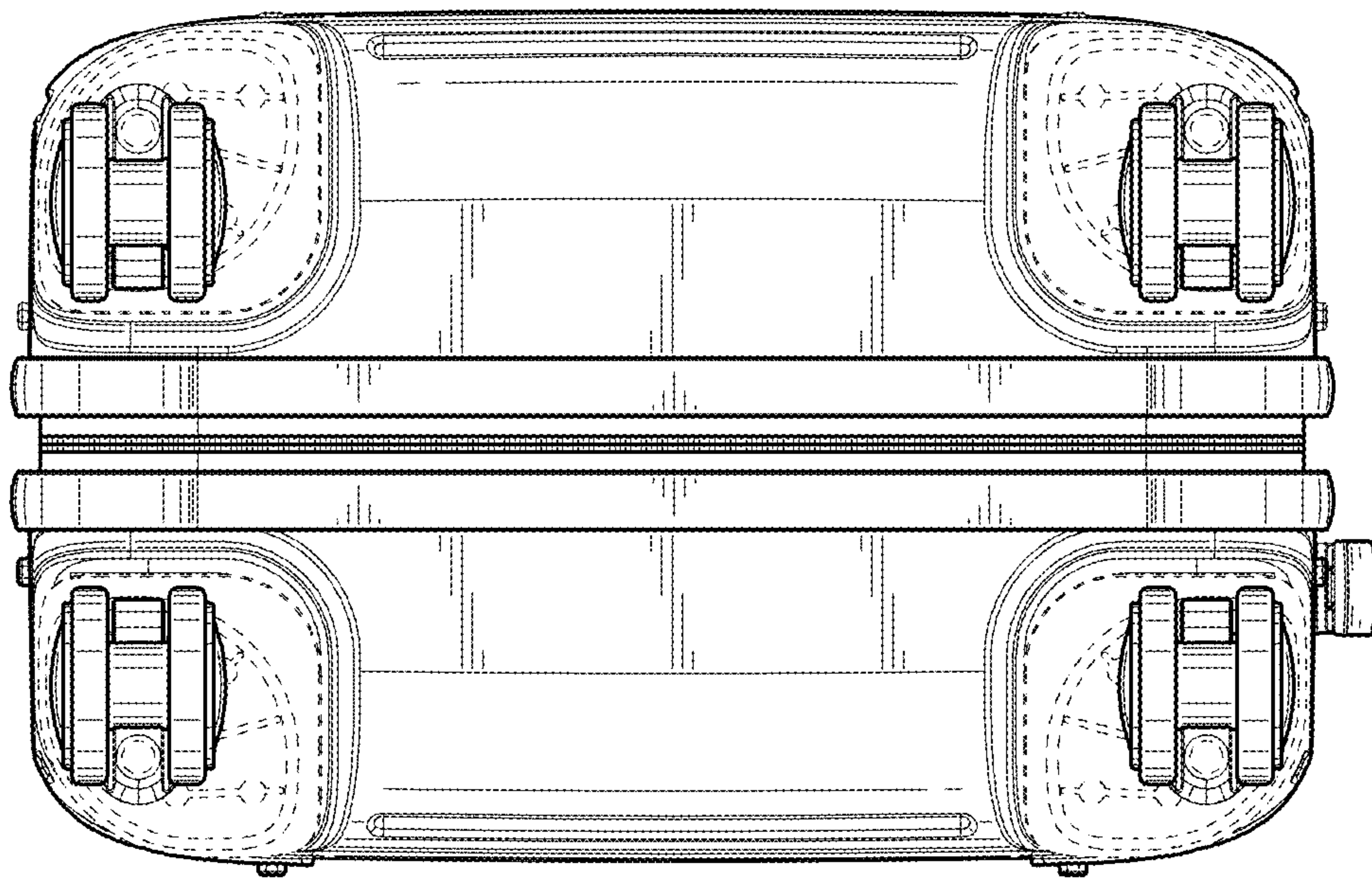


FIG. 7