



US00D918580S

(12) **United States Design Patent** (10) **Patent No.:** **US D918,580 S**  
**Kögel** (45) **Date of Patent:** **\*\* May 11, 2021**

(54) **TRANSPORT CASE**

5,445,273 A 8/1995 Apps  
5,495,945 A 3/1996 Apps  
5,890,613 A 4/1999 Williams  
(Continued)

(71) Applicant: **BS Systems GmbH & Co. KG,**  
Zusmarshausen (DE)

(72) Inventor: **Jan Kögel,** Zusmarshausen (DE)

**FOREIGN PATENT DOCUMENTS**

(73) Assignee: **BS SYSTEMS GMBH & CO. KG,**  
Zusmarshausen (DE)

DE 7244356 U 5/1974  
DE 4009960 A1 10/1990  
(Continued)

(\*\*) Term: **15 Years**

**OTHER PUBLICATIONS**

(21) Appl. No.: **29/679,432**

Youtube, "XL-BOXX—The large power tool and transport case in the L-BOXX System" posted by user Alexander Schweyer on Oct. 7, 2019. ([https://www.youtube.com/watch?v=A3gakVZn\\_yl](https://www.youtube.com/watch?v=A3gakVZn_yl)) (Year: 2019).\*

(22) Filed: **Feb. 6, 2019**

(30) **Foreign Application Priority Data**

Aug. 7, 2018 (EM) ..... 005 567 666

(51) **LOC (13) Cl.** ..... **03-01**

(52) **U.S. Cl.**  
USPC ..... **D3/276; D3/294; D3/905**

(58) **Field of Classification Search**  
USPC ..... D3/272, 273, 276, 279, 282, 284, 291,  
D3/294, 302, 900, 905, 903  
CPC ..... B25H 3/02  
See application file for complete search history.

(Continued)

*Primary Examiner* — April Rivas

(74) *Attorney, Agent, or Firm* — Paul D. Bianco; Fleit  
Intellectual Property Law

(56) **References Cited**

**U.S. PATENT DOCUMENTS**

4,643,494 A 2/1987 Marleau  
4,671,943 A 6/1987 Wahlquist  
D292,634 S 11/1987 Chabot  
4,820,499 A 4/1989 Taschner  
5,101,969 A 4/1992 Umiker  
D340,353 S 10/1993 Benarrouch  
5,379,887 A 1/1995 Conley, Jr.  
D355,764 S 2/1995 Apps  
D356,211 S 3/1995 Apps  
D356,679 S 3/1995 Apps  
D360,757 S 8/1995 Snetting  
D361,663 S 8/1995 Kalin

(57) **CLAIM**

The ornamental design for a transport case, as shown and described.

**DESCRIPTION**

FIG. 1 is a perspective view of a transport case according to the present invention.

FIG. 2 is a top view of the transport case of FIG. 1.

FIG. 3 is a bottom view of the transport case of FIG. 1.

FIG. 4 is a left side view of the transport case of FIG. 1.

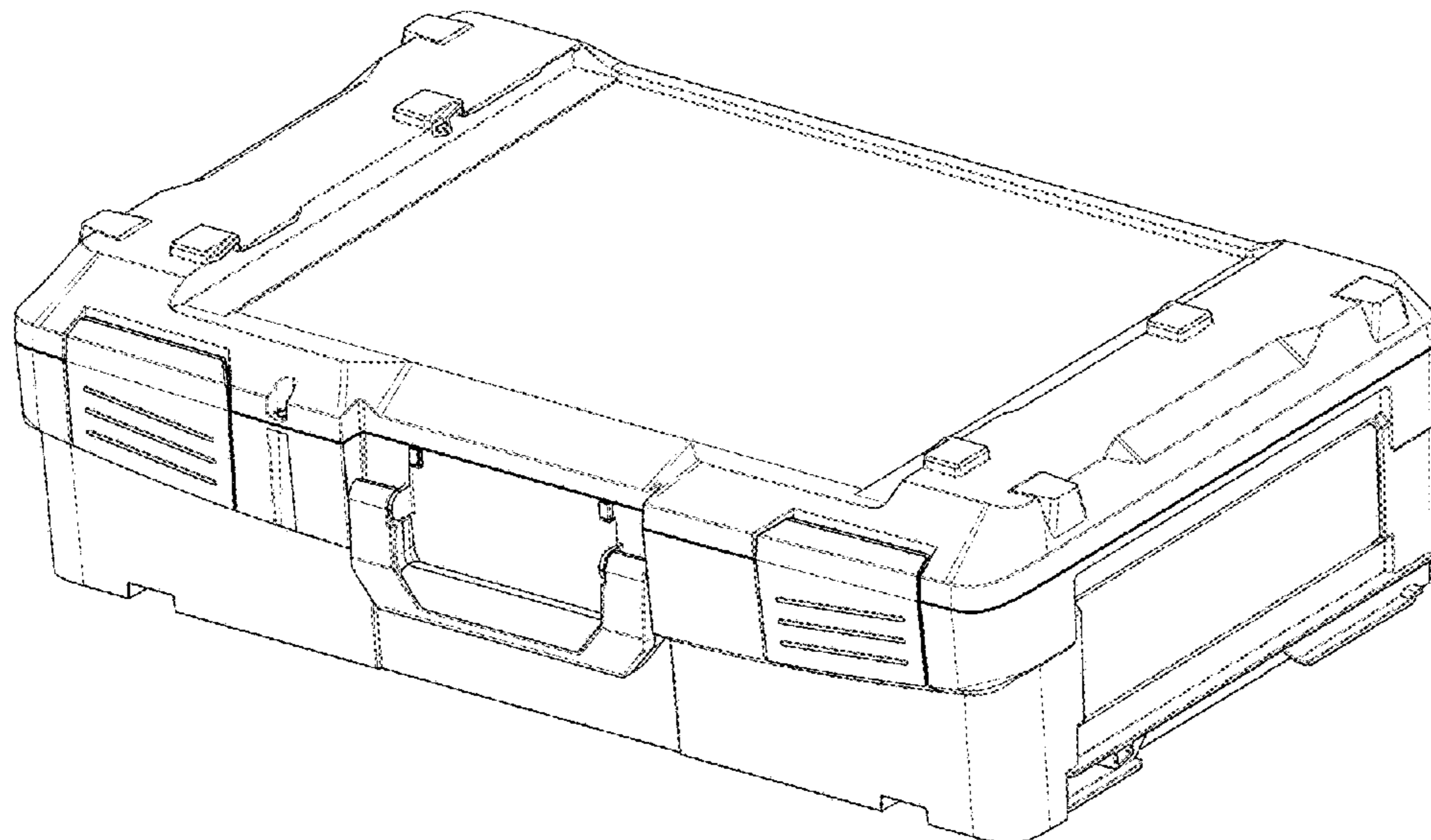
FIG. 5 is a right side view of the transport case of FIG. 1.

FIG. 6 is a front view of the transport case of FIG. 1; and,

FIG. 7 is a back view of the transport case of FIG. 1.

The broken lines illustrate portions of the transport case and form no part of claimed design.

**1 Claim, 7 Drawing Sheets**



(56)

References Cited

U.S. PATENT DOCUMENTS

D416,682 S 11/1999 Tanji  
 5,979,654 A 11/1999 Apps  
 6,082,539 A 7/2000 Lee  
 D439,408 S 3/2001 Gibson  
 D446,015 S 8/2001 Apps  
 D448,567 S 10/2001 Buss  
 D452,613 S 1/2002 Hammett  
 D462,522 S 9/2002 Apps  
 D470,658 S 2/2003 Chunn  
 D478,421 S 8/2003 Overholt et al.  
 D483,946 S 12/2003 Koefeld  
 D487,634 S 3/2004 Apps et al.  
 6,874,634 B2 4/2005 Riley  
 6,880,869 B2 4/2005 Schainholz  
 6,889,838 B2 5/2005 Meier et al.  
 7,000,287 B2 2/2006 Valentini  
 D520,237 S \* 5/2006 Cheng ..... D3/276  
 D520,734 S 5/2006 Henning et al.  
 D524,651 S 7/2006 Perret  
 D539,541 S 4/2007 Stahl  
 D542,529 S 5/2007 Peart et al.  
 D557,011 S 12/2007 Fernandez et al.  
 D572,479 S 7/2008 Buck  
 D595,958 S 7/2009 Twig  
 D598,684 S 8/2009 Stahl  
 7,573,385 B2 8/2009 Tonelli  
 D600,015 S 9/2009 Wenchel  
 D601,797 S 10/2009 Wenchel  
 D608,094 S 1/2010 Concari  
 D616,200 S 5/2010 Riedel et al.  
 D620,255 S \* 7/2010 Chang ..... D3/282  
 D630,435 S 1/2011 Brunner  
 8,061,492 B2 11/2011 Riedel et al.  
 8,186,534 B2 5/2012 Apps  
 D668,867 S 10/2012 Yamamoto  
 D688,869 S 9/2013 Lindstrom  
 8,522,967 B2 9/2013 Lindstrom  
 8,590,704 B2 11/2013 Koenig et al.  
 8,677,661 B2 3/2014 Michels et al.  
 D704,442 S 5/2014 Chen  
 D719,352 S 12/2014 Shitrit  
 D738,106 S \* 9/2015 Shitrit ..... D3/276  
 9,131,770 B2 9/2015 Stegherr  
 D750,890 S 3/2016 Quehl  
 D757,435 S \* 5/2016 Damberg ..... B25H 3/021  
 D3/284  
 D759,975 S 6/2016 Zozin  
 D785,938 S 5/2017 Ou  
 D790,221 S 6/2017 Yahav  
 D792,708 S \* 7/2017 Tazawa ..... D3/276  
 D798,053 S \* 9/2017 Shitrit ..... D3/276  
 D801,685 S 11/2017 Meng  
 D808,653 S 1/2018 Rayeski  
 D811,084 S \* 2/2018 Ballou ..... D3/276  
 RE47,022 E 9/2018 Sosnovsky  
 D833,743 S \* 11/2018 Tonelli ..... D3/279  
 D841,981 S 3/2019 Kogel  
 D841,982 S \* 3/2019 Kogel ..... D3/282  
 10,405,626 B2 9/2019 Gonitiner et al.  
 D872,471 S \* 1/2020 Zhao ..... D3/276  
 D873,004 S \* 1/2020 Shpitzer ..... D3/276  
 D882,952 S \* 5/2020 Austin ..... D3/294  
 10,703,534 B2 \* 7/2020 Brunner ..... B25H 3/02  
 10,710,770 B2 7/2020 Kogel  
 10,829,269 B2 11/2020 Gonitiner et al.  
 2003/0094392 A1 5/2003 Meier et al.  
 2003/0102970 A1 6/2003 Creel et al.  
 2006/0049640 A1 3/2006 Lee  
 2006/0170558 A1 8/2006 Tonelli  
 2008/0067091 A1 3/2008 Chang  
 2008/0251396 A1 10/2008 Oh  
 2009/0236255 A1 9/2009 Piacenza et al.  
 2011/0121695 A1 5/2011 Purdy  
 2011/0139666 A1 6/2011 Sosnovsky et al.  
 2011/0147256 A1 6/2011 Atherton et al.

2011/0186397 A1 8/2011 Sheikh  
 2011/0233096 A1 9/2011 Michels et al.  
 2014/0062281 A1 3/2014 Stegherr  
 2014/0262885 A1 9/2014 Green et al.  
 2016/0008972 A1 1/2016 Chen  
 2016/0144500 A1 5/2016 Chen  
 2016/0213115 A1 7/2016 Gonitiner et al.  
 2017/0318927 A1 11/2017 Kraus et al.  
 2018/0220758 A1 8/2018 Burchia  
 2019/0291922 A1 9/2019 Gonitiner  
 2019/0308772 A1 10/2019 Gonitiner  
 2019/0315515 A1 10/2019 Gonitiner et al.  
 2020/0346819 A1 11/2020 Kögel

FOREIGN PATENT DOCUMENTS

DE 4107267 A1 9/1992  
 DE 9314298 U1 2/1994  
 DE 29723812 U1 4/1999  
 DE 102006002475 7/2006  
 DE 202005015040 8/2006  
 DE 10 2007 032382 A1 1/2008  
 DE 202012102760 U1 12/2012  
 DE 10 2011 110207 A1 2/2013  
 DE 20 2013 003741 U1 4/2013  
 DE 202014101556 U1 7/2014  
 DE 20 2014 103695 U1 10/2014  
 DE 10 2013 110496 A1 3/2015  
 DE 102013110496 3/2015  
 DE 20 2015 005752 U1 11/2016  
 DE 202015005752 12/2016  
 DE 10 2016 112853 A1 1/2018  
 EP 0555533 A1 8/1993  
 EP 0997234 A1 5/2000  
 EP 1238602 A2 9/2002  
 EP 1516703 A1 3/2005  
 EP 2020188 A1 2/2009  
 EP 2703310 A1 3/2014  
 GB 2459288 10/2009  
 WO 01/25701 4/2001  
 WO 02/11955 A1 2/2002  
 WO 2011/000387 A1 1/2011  
 WO 2011/032568 3/2011  
 WO 2016/091570 A1 6/2016  
 WO 2017/001083 A1 1/2017  
 WO 2018010857 A1 1/2018  
 WO 2018010858 A1 1/2018  
 WO 2018010859 A1 1/2018

OTHER PUBLICATIONS

Home Depot, "6 in. Hx14 in. Wx17.5 in. L 1-Compartment Small Parts Organizer", First reviewed on Apr. 2, 2012. (<https://www.homedepot.com/p/Bosch-6-in-H-x-14-in-W-x-17-5-in-L-1-Compartment-Small-Parts-Organizer-LBOXX-2/202716977>) (Year: 2012).\*

International Search Report and Written Opinion for PCT/EP2017/058672 filed Apr. 11, 2017.

Result of Examination Report for DE 10 2016 112 853.8, filed Jul. 13, 2016.

International Search Report and Written Opinion for PCT/EP2017/058667 filed Apr. 11, 2017.

Result of Examination Report for DE 10 2016 112 854.6, filed Jul. 13, 2016.

International Search Report and Written Opinion for PCT/EP2017/058668 filed Apr. 11, 2017.

Result of Examination Report for DE 10 2016 112 855.4, filed Jul. 13, 2016.

International Search Report, Written Opinion and International Preliminary Report on Patentability for PCT/EP2018/064742, filed Jun. 5, 2018.

Result of Examination Report for German Application No. 10 2017 128 493.1, filed Nov. 30, 2017.

Restriction Requirement Office Action dated May 19, 2020 for U.S. Appl. No. 16/317,234.



(56)

**References Cited**

OTHER PUBLICATIONS

Office Action dated Sep. 29, 2020 for U.S. Appl. No. 16/317,234.  
Response to Office Action filed Jul. 15, 2020 for U.S. Appl. No. 16/317,175, filed Jan. 11, 2019.

English translation of International Preliminary Examination Report for PCTEP17/058667, filed Apr. 11, 2017.

English translation of International Preliminary Examination Report for PCT/EP17/058668, filed Apr. 11, 2017.

International Preliminary Examination Report with English translation of Written Opinion for PCT/EP17/058672, filed Apr. 11, 2017.

For U.S. Appl. No. 16/317,188: Response dated Jun. 1, 2020 Final Office Action dated Jun. 29, 2020.

Office Action dated Apr. 16, 2020, for U.S. Appl. No. 16/317,175.

Office Action for U.S. Appl. No. 16/317,188, dated Mar. 18, 2020.

Result of examination report for German Application No. 10 2013 110 496.7, filed Sep. 23, 2013.

Result of examination report of German Application No. 10 2017 117 823.6, filed Aug. 7, 2017.

International Search Report, Written Opinion and International Preliminary Report on Patentability PCT/EP2014/068714, filed Mar 26, 2015 for PCT/EP2014/068714, filed Mar. 26, 2015.

Notice of Allowance dated Sep. 22, 2020 for U.S. Appl. No. 16/317,175.

Notice of Allowance dated Sep. 22, 2020 for U.S. Appl. No. 1/012,684.

For U.S. Appl. No. 16/317,188: Reply to Office Action dated Sep. 14, 2020.

\* cited by examiner

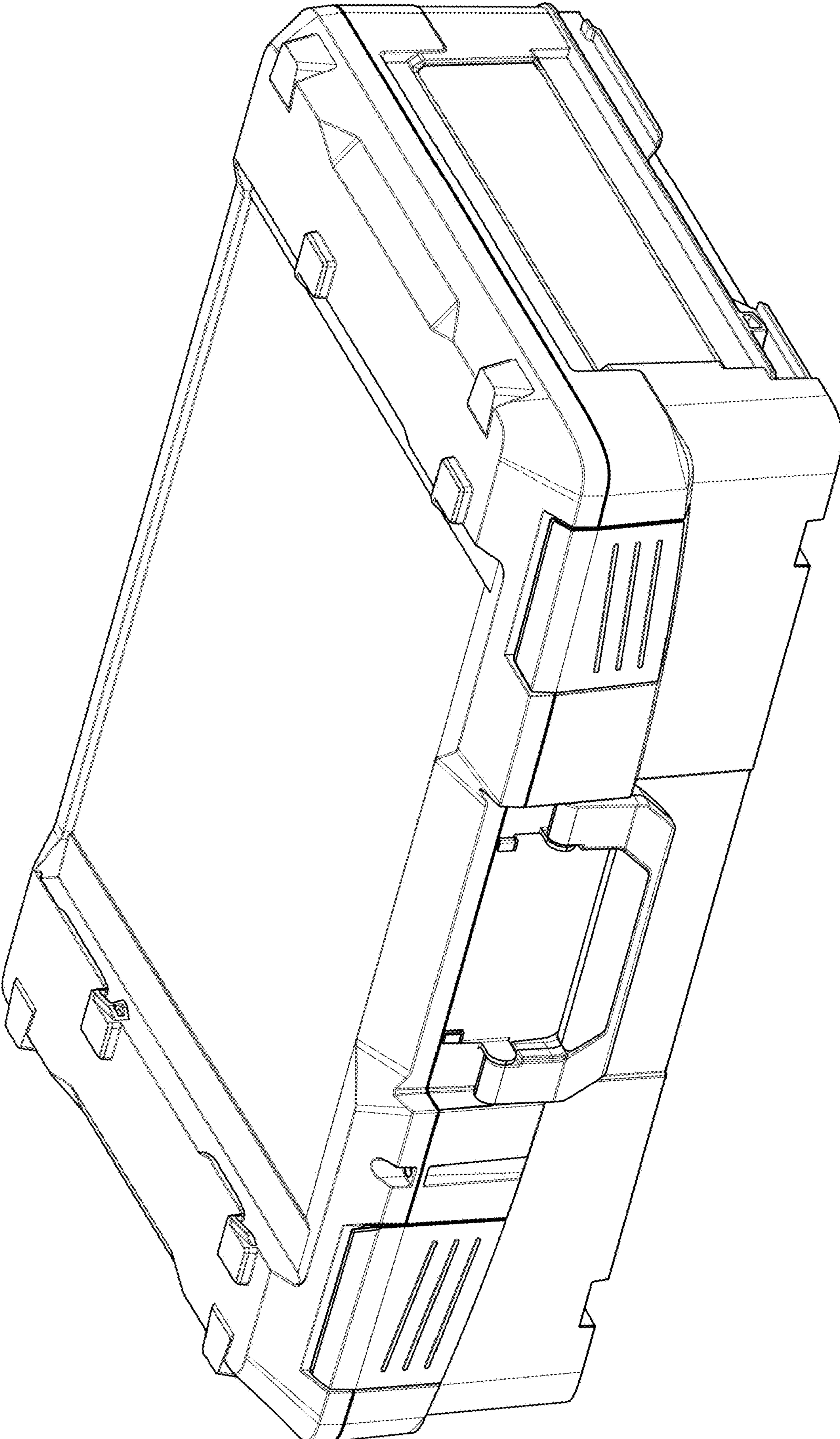


FIG. 1

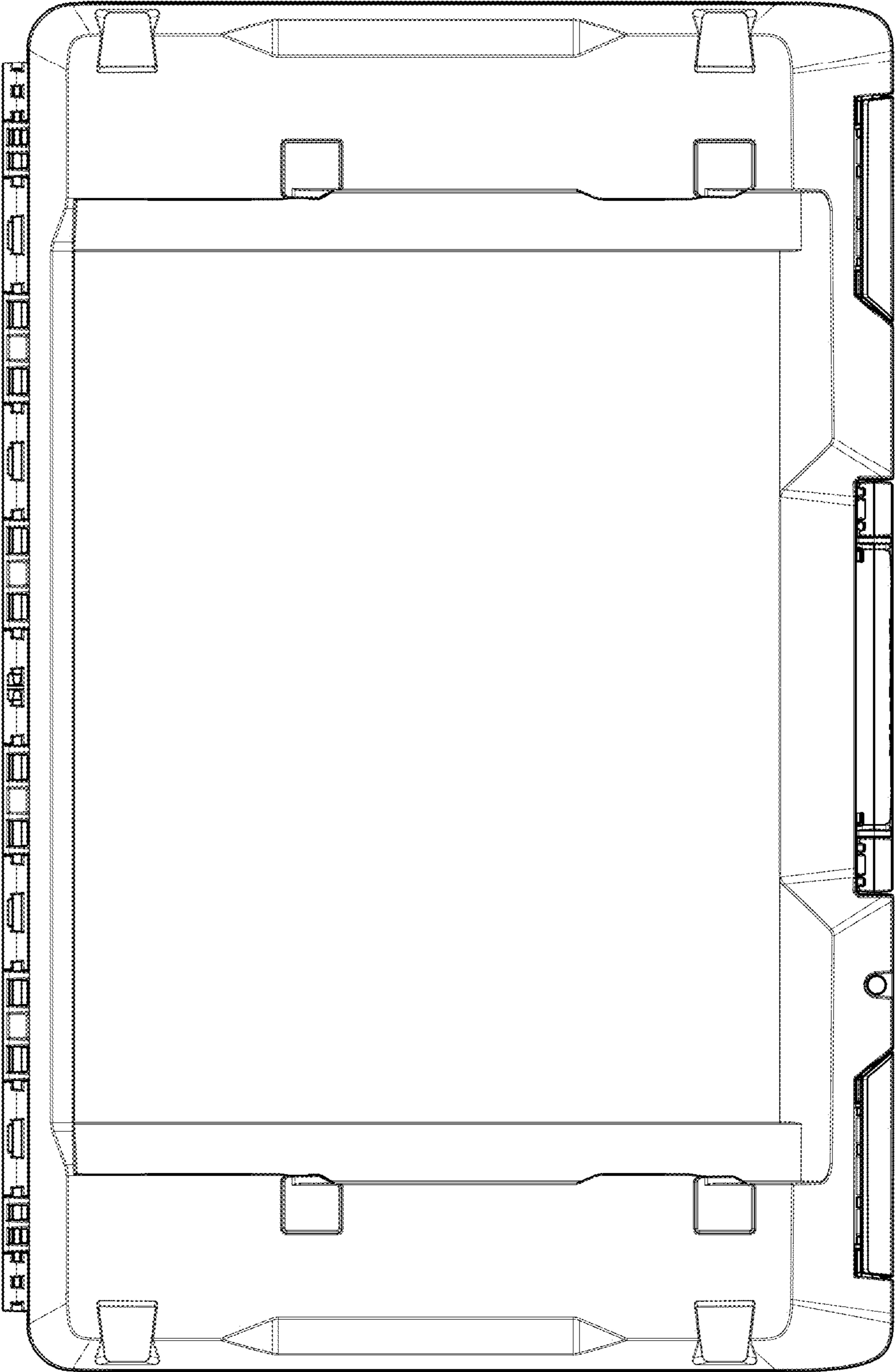


FIG. 2



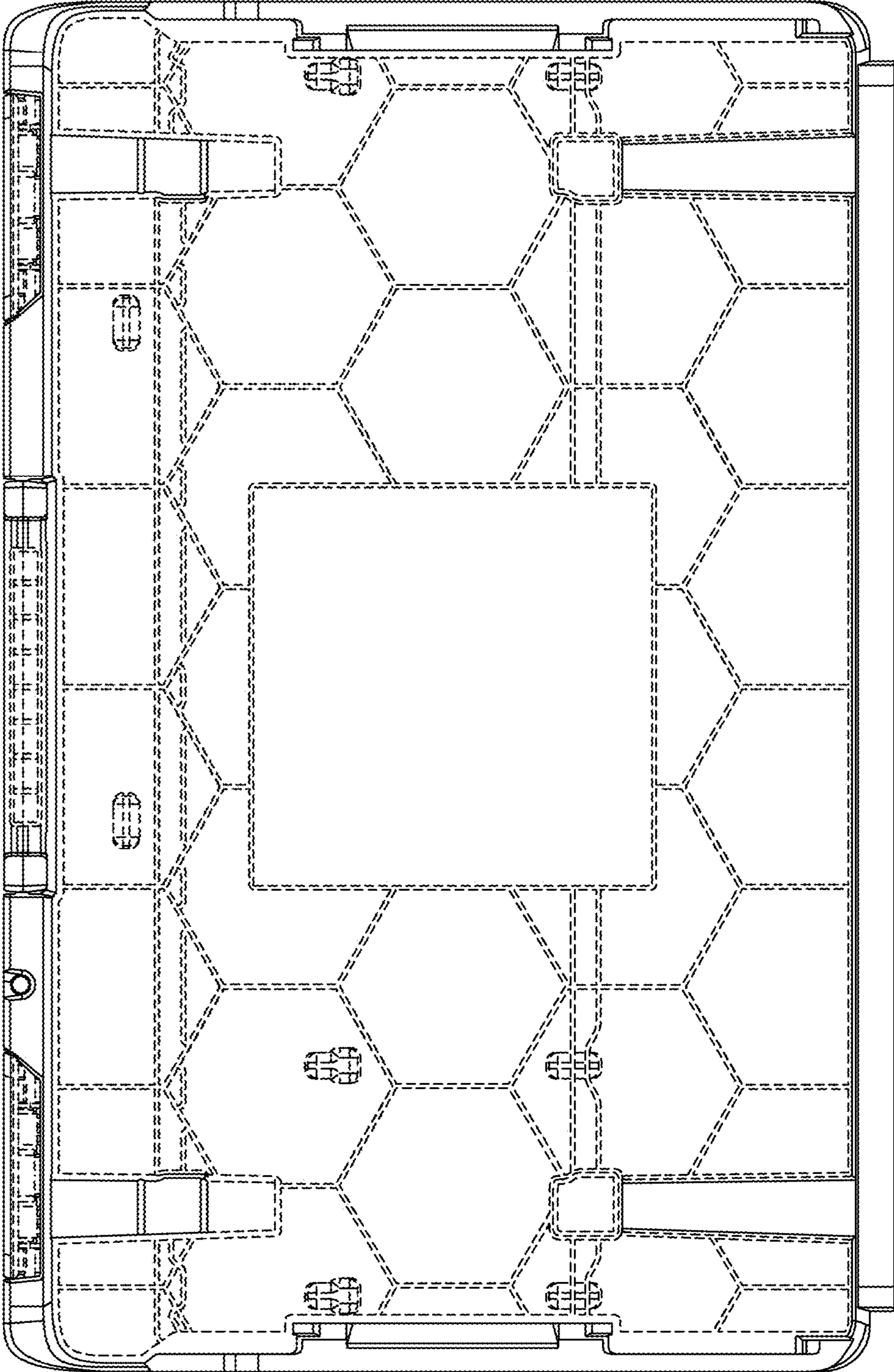


FIG. 3

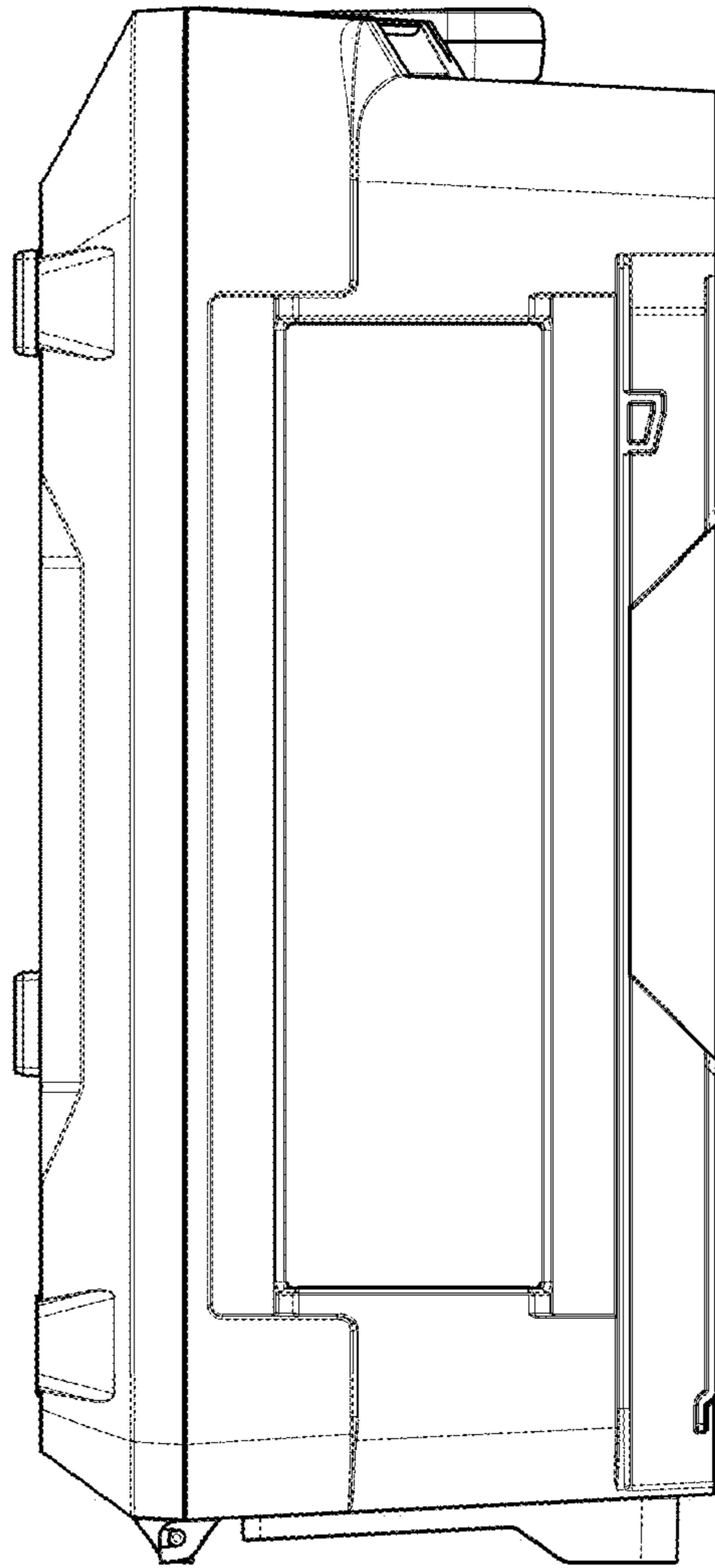


FIG. 4

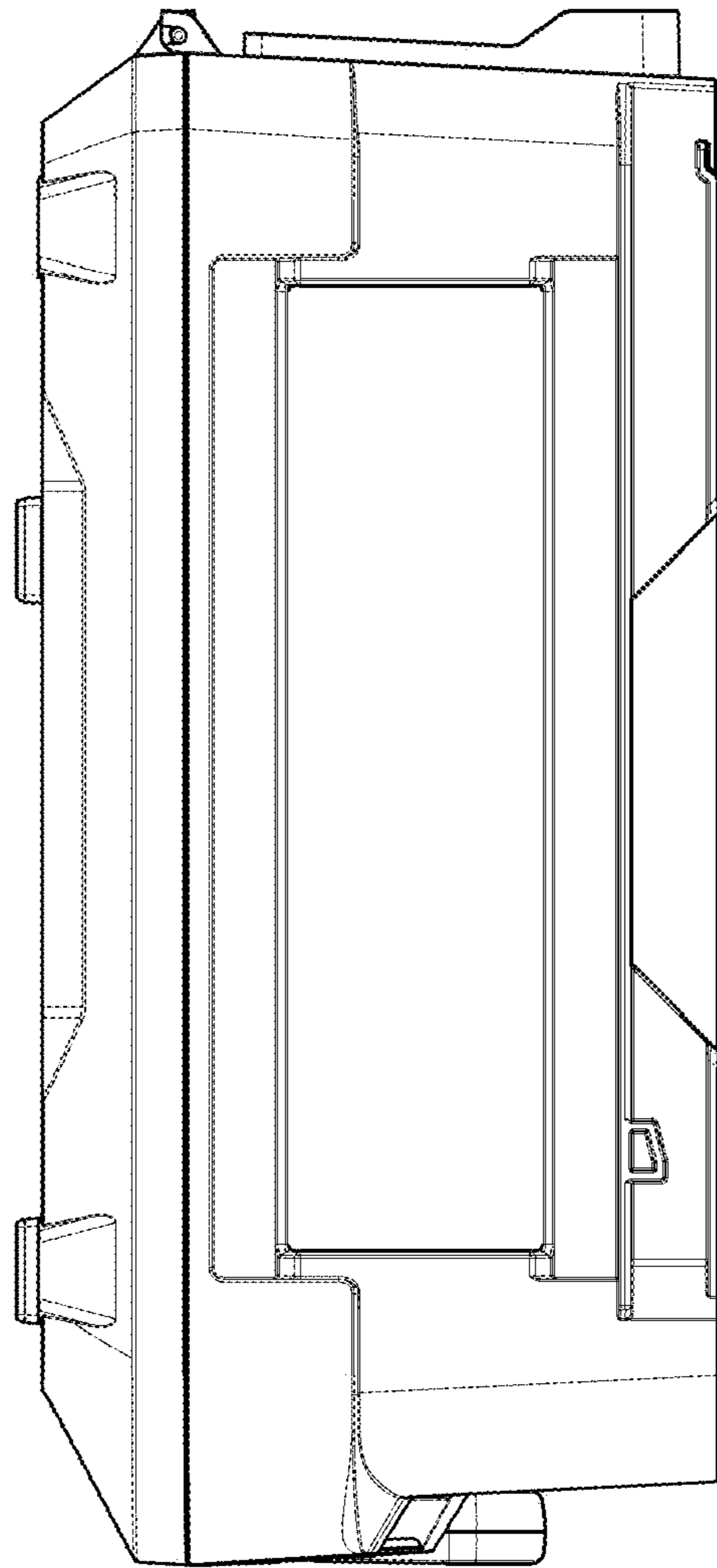


FIG. 5



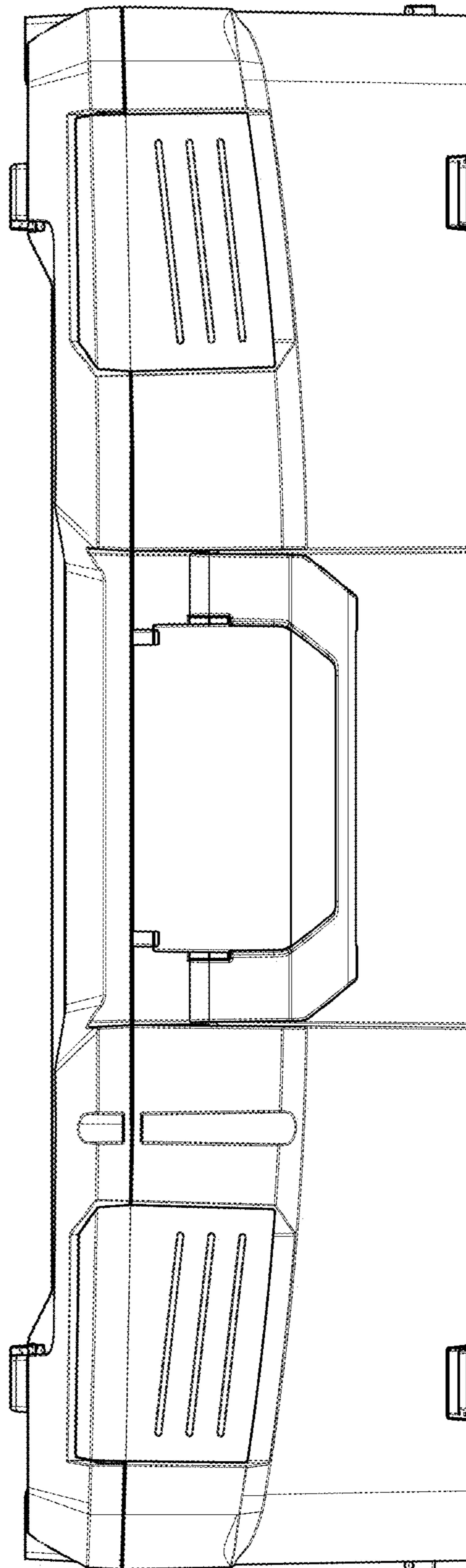


FIG. 6

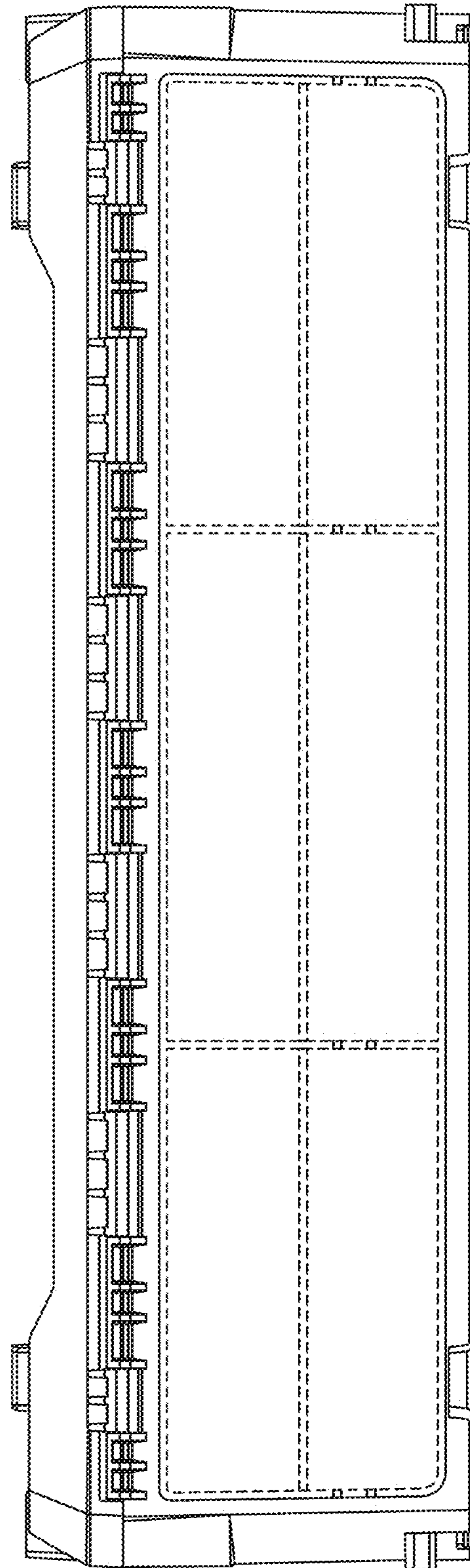


FIG. 7