



US00D918579S

(12) **United States Design Patent** (10) **Patent No.:** **US D918,579 S**
Youn (45) **Date of Patent:** **** May 11, 2021**

(54) **CASE FOR EARPHONES**
(71) Applicant: **SPIGEN KOREA CO., LTD.**, Seoul (KR)
(72) Inventor: **Junyong Youn**, Seoul (KR)
(73) Assignee: **SPIGEN KOREA CO., LTD.**, Seoul (KR)
(**) Term: **15 Years**
(21) Appl. No.: **29/728,147**
(22) Filed: **Mar. 16, 2020**
(51) **LOC (13) Cl.** **03-01**
(52) **U.S. Cl.**
USPC **D3/273**
(58) **Field of Classification Search**
USPC D3/201, 203.1, 204, 205, 207-208, 212, D3/215, 218, 269, 273-274, 276, 283, D3/284, 294-300, 302, 303, 315, 901, D3/903; D9/414, 418, 420, 430, 432; D28/66, 73, 76, 78, 91; D14/188, 201, D14/204, 205, 209.1, 217, 250, 251, 440, D14/447
CPC ... A45C 13/002; A45C 13/005; A45C 13/025; A45C 2011/001; A45C 2011/002; A45C 2011/003
See application file for complete search history.

D679,692 S 4/2013 Fahrendorff et al.
D683,340 S 5/2013 Chang et al.
D700,172 S 2/2014 Li
D734,760 S 7/2015 Brunner et al.
D738,110 S 9/2015 Jiang et al.
D740,018 S 10/2015 Zhang et al.
D756,626 S 5/2016 Tollefsbol et al.
(Continued)

OTHER PUBLICATIONS

Galaxy Buds+ / Galaxy Buds Case Rugged Armor, posted at spigen.com, no posting date, online, retrieved Jun. 20, 2020, URL:https://www.spigen.com/products/galaxy-bud-plus-case-rugged-armor?variant=31779382460463 (Year: 2020).*
(Continued)

Primary Examiner — Lilyana Bekic
Assistant Examiner — Mary Shannon Malley
(74) *Attorney, Agent, or Firm* — Heedong Chae; Lucem, PC

(57) **CLAIM**

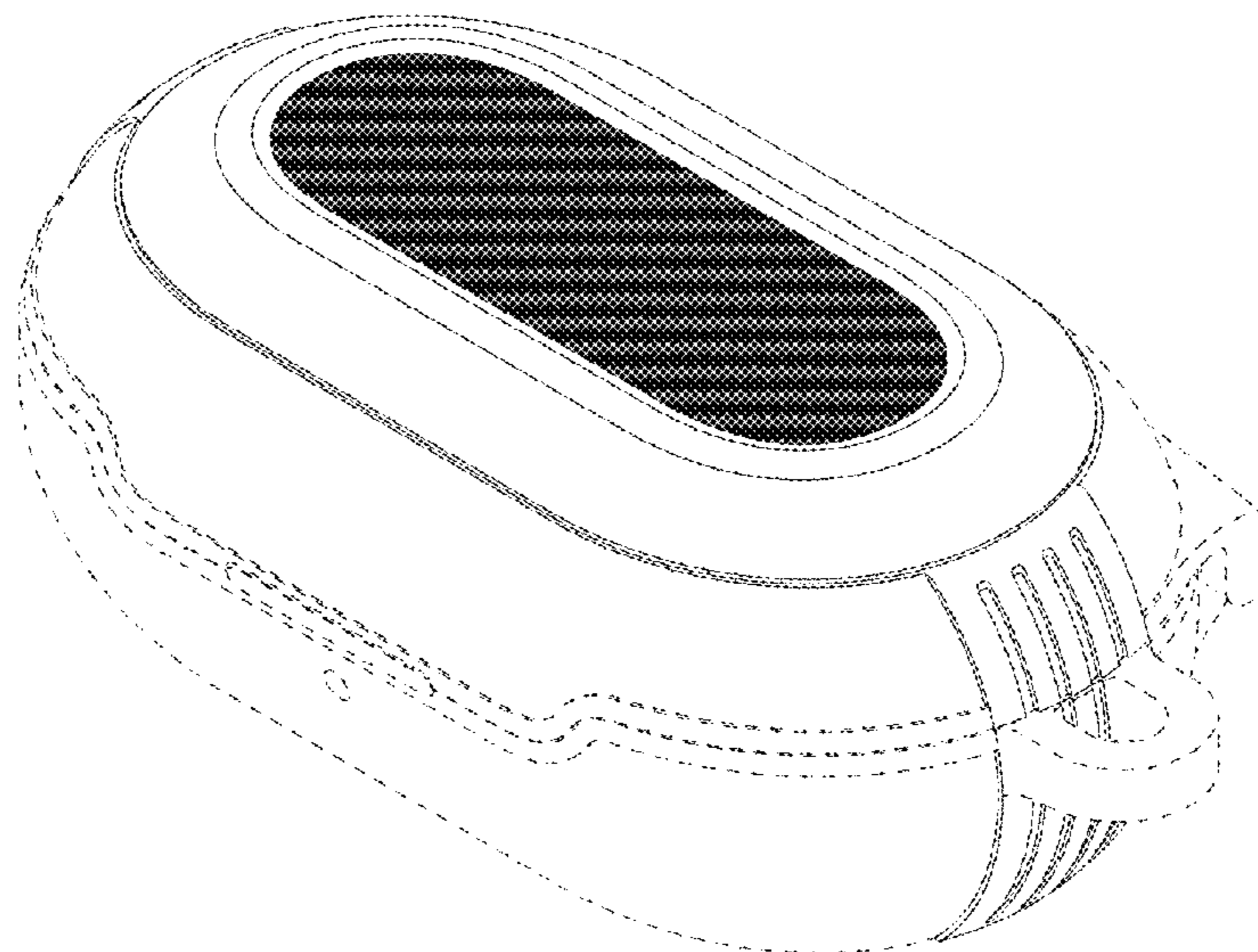
The ornamental design for a case for earphones, as shown and described.

DESCRIPTION

FIG. 1 is a front perspective view of a case for earphones showing my new design;
FIG. 2 is a rear perspective view thereof;
FIG. 3 is a front elevational view thereof;
FIG. 4 is a rear elevational view thereof;
FIG. 5 is a left side elevational view thereof;
FIG. 6 is a right side elevational view thereof;
FIG. 7 is a top plan view thereof;
FIG. 8 is a bottom plan view thereof; and,
FIG. 9 is a front perspective view of the case in an open position.
The broken lines depict portions of the case for earphones that form no part of the claimed design.

1 Claim, 9 Drawing Sheets

(56) **References Cited**
U.S. PATENT DOCUMENTS
D259,596 S 6/1981 Gray
D452,611 S 1/2002 Redgrave
D475,696 S 6/2003 Hussaini et al.
D586,557 S 2/2009 Jalet
D604,501 S 11/2009 Lee
D614,048 S 4/2010 Smith
D636,598 S 4/2011 Tseng et al.
D668,646 S 10/2012 Li
D676,654 S 2/2013 Weremchuk et al.



(56)

References Cited

U.S. PATENT DOCUMENTS

| | | | |
|-------------------|---------|------------------|--------------|
| D761,773 S | 7/2016 | Choi et al. | |
| D762,204 S | 7/2016 | Armstrong et al. | |
| 9,445,631 B1 * | 9/2016 | Patel | B65D 43/0212 |
| D772,572 S * | 11/2016 | Palmborg | D3/201 |
| D776,105 S | 1/2017 | Han | |
| D782,460 S | 3/2017 | Bertrand et al. | |
| D786,853 S | 5/2017 | Friedland et al. | |
| D791,754 S | 7/2017 | Armstrong et al. | |
| D792,877 S | 7/2017 | Kim et al. | |
| D794,617 S | 8/2017 | Wright et al. | |
| D794,618 S | 8/2017 | Wright et al. | |
| D801,324 S | 10/2017 | Kim | |
| D801,325 S | 10/2017 | Kim | |
| D806,388 S | 1/2018 | Akana et al. | |
| D807,336 S | 1/2018 | Kim | |
| D812,618 S | 3/2018 | Altaras | |
| D813,219 S | 3/2018 | Hyun | |
| D813,909 S | 3/2018 | Lacy-Nichols | |
| D816,651 S | 5/2018 | Chiang et al. | |
| D817,640 S | 5/2018 | Dang et al. | |
| D819,006 S | 5/2018 | Kim | |
| D823,246 S | 7/2018 | Lin | |
| D834,301 S | 11/2018 | Poissant | |
| D835,081 S | 12/2018 | Luo | |
| D837,779 S | 1/2019 | Kim | |
| D838,480 S | 1/2019 | Son et al. | |
| D841,580 S | 2/2019 | Bao | |
| D841,581 S | 2/2019 | Bonahoom et al. | |
| D846,264 S | 4/2019 | Wu | |
| D849,401 S | 5/2019 | Akana et al. | |
| D853,108 S | 7/2019 | Zaihui | |
| D860,933 S | 9/2019 | Sn | |
| D862,425 S | 10/2019 | Yan | |
| D862,435 S | 10/2019 | Kwak et al. | |
| D863,283 S * | 10/2019 | Kim | D14/250 |
| D864,110 S | 10/2019 | Yoshimura | |
| D864,971 S | 10/2019 | Lee et al. | |
| D868,453 S | 12/2019 | Lee et al. | |
| D868,465 S | 12/2019 | Lee et al. | |
| D869,147 S | 12/2019 | Lian | |
| D869,163 S | 12/2019 | Maguire | |
| D870,037 S | 12/2019 | Lee | |
| D870,451 S | 12/2019 | Birger | |
| D872,094 S | 1/2020 | Wright et al. | |
| D872,468 S | 1/2020 | Lee et al. | |
| D872,469 S | 1/2020 | Lee et al. | |
| D872,723 S | 1/2020 | Lee et al. | |
| D872,724 S | 1/2020 | Lee et al. | |
| D873,217 S | 1/2020 | Zhang | |
| D878,048 S * | 3/2020 | Wang | D3/294 |
| D881,810 S * | 4/2020 | Zhang | D13/108 |
| D886,454 S * | 6/2020 | Williamson | D3/294 |
| D886,790 S * | 6/2020 | Yang | D14/204 |
| 2019/0069066 A1 * | 2/2019 | Song | H04R 1/1025 |

OTHER PUBLICATIONS

“Portable Carrying Case for Samsung Galaxy Buds/Galaxy Buds + Plus, GONJOY Protective Silicone Cover and Skin for Samsung Galaxy Buds Earbuds with Anti-Lost & Shockproof”, <https://www.amazon.com/dp/B07RTGWJH4>, Earliest review date of May 14, 2019, Downloaded on Jun. 25, 2020.

“YICTONE Silicone Case for Galaxy Buds 2019, 3 in 1 Silicone Accessories Set Protective Cover, Silicone Case/Keychain/Anti-Lost lanyards Compatible with Samsung Galaxy Buds Plus”, <https://www.amazon.com/dp/B07RW2FST8>, Earliest review date of May 23, 2019, Downloaded on Jun. 25, 2020.

“Protective Silicone Case Cover for Galaxy Buds/Galaxy Buds+ with Carabiner Keychain, Samsung Galaxy Earbuds Accessory, Black (9 Color Options)”, <https://www.amazon.com/dp/B07RRPYM5Y>, Earliest review date of May 26, 2019, Downloaded on Jun. 25, 2020.

“Silicone Case Cover Compatible with Samsung Galaxy Buds(2019)/ Galaxy Buds+ Plus(2020), Full Body Protection, Scratch/Shock Resistant Silicone Case for Samsung Galaxy Buds and Galaxy Buds Plus (Black)”, <https://www.amazon.com/dp/B07W9BVM45>, Earliest review date of Jun. 20, 2019, Downloaded on Jun. 25, 2020.

“UptoBillions for Galaxy Buds Case and Galaxy Buds+ Plus 2020, Shock Resistant Silicone Case for Galaxy Buds [Support Wireless Charging]—Blue”, <https://www.amazon.com/dp/B07T65ZXW5>, Earliest review date of Jun. 30, 2019, Downloaded on Jun. 25, 2020.

“Silicone Case Cover for Galaxy Buds 2019/ Galaxy Buds Plus 2020, Full Body Protections with Carabiner, Anti-Lost & Shockproof Soft Skin for Samsung Galaxy Buds/Buds Plus, Support Wireless Charging”, <https://www.amazon.com/dp/B07SHG53WR>, Earliest review date of Jul. 14, 2019, Downloaded on Jun. 25, 2020.

“Elago Silicone Case Designed for Samsung Galaxy Buds Plus Case (2020) / Galaxy Buds Case (2019)—(Top—Light Grey/ Bottom—Dark Grey Translucent)”, <https://www.amazon.com/dp/B07ZRL9LVG>, Earliest review date of Aug. 10, 2019, Downloaded on Jun. 25, 2020.

“GARSING Protective Case Cover for Samsung Galaxy Buds Earphone Flip-Open Silicone Case Waterproof Shockproof Cases with Carabiner”, <https://www.amazon.com/dp/B07V4D39CV>, Earliest review date of Aug. 22, 2019, Downloaded on Jun. 25, 2020.

“AMIGO Samsung Galaxy Buds Earbuds Case, Soft Full Body Protective Silicone Case Cover with Carabiner for Galaxy Buds+ Plus Case 2020 / Galaxy Buds Case 2019 (Black)”, <https://www.amazon.com/dp/B07VN3Y4D8>, Earliest review date of Sep. 1, 2019, Downloaded on Jun. 25, 2020.

“MORETEK Compatible for Galaxy Buds Case 2019, Full Protective Silicone Case Cover with Carabiner for Samsung Galaxy Earbuds Case Accessories(Black)”, <https://www.amazon.com/dp/B07XHQQX684>, Earliest review date of Oct. 12, 2019, Downloaded on Jun. 25, 2020.

“Araree Buddy, Polycarbonate case for Galaxy Buds, Transparent and Hard, no Need Adhesive case, Compatible with Samsung Galaxy Buds, Released”, <https://www.amazon.com/dp/B07V8HVPLL>, Earliest review date of Oct. 16, 2019, Downloaded on Jun. 25, 2020.

“Spigen Tough Armor Tech iPhone 6S Case with Extreme Shock and Drop Protection for Apple iPhone 6 / 6S—Gunmetal”, <https://www.amazon.com/Spigen-Tough-iPhone-Extreme-Protection/dp/B013TKNSIS>, Earliest review date of Oct. 3, 2015, Downloaded on Jan. 15, 2019.

“Spigen Rugged Armor Samsung Galaxy S7 Case with Resilient Shock Absorption and Carbon Fiber Design for Samsung Galaxy S7 2016—Black”, <https://www.amazon.com/Spigen-Rugged-Designed-Samsung-Galaxy/dp/B01A7ICWTQ>, Earliest review date of Feb. 25, 2016, Downloaded on Jul. 17, 2018.

“Spigen Rugged Armor Galaxy S7 Edge Case with Flexible and Durable Shock Absorption with Carbon Fiber Design for Samsung Galaxy S7 Edge (2016)—Black”, <https://www.amazon.com/Spigen-Rugged-Designed-Samsung-Galaxy/dp/B01A7IDHOU>, Earliest review date of Feb. 28, 2016, Downloaded on Jul. 17, 2018.

“Spigen Rugged Armor Galaxy A5 Case with Resilient Shock Absorption and Carbon Fiber Design for Galaxy A5—Black”, <https://www.amazon.com/Spigen-Rugged-Designed-Samsung-Galaxy/dp/B018J07A46>, Earliest review date of Mar. 18, 2016, Downloaded on Jul. 17, 2018.

“Spigen Rugged Armor iPhone SE Case with Resilient Shock Absorption and Carbon Fiber Design for iPhone SE 2016—Black”, <https://www.amazon.com/Spigen-Rugged-iPhone-Resilient-Absorption/dp/B01BEDNUDK>, Earliest review date of Apr. 10, 2016, Downloaded on Jan. 15, 2019.

“Spigen Rugged Armor Honor 5X Case with Resilient Shock Absorption and Carbon Fiber Design for Huawei Honor 5X—Black”, <https://www.amazon.com/Spigen-Rugged-Resilient-Absorption-Carbon/dp/B01DJHXXD2>, Earliest review date of May 1, 2016, Downloaded on Jan. 15, 2019.

“Spigen Rugged Armor HTC 10 Case with Resilient Shock Absorption and Carbon Fiber Design for HTC 10 2016—Black”, <https://www.amazon.com/dp/B01DAN1T4E>, Earliest review date of May 4, 2016, Downloaded on Jul. 18, 2018.

“Spigen Rugged Armor Huawei P8 Lite Case with Resilient Shock Absorption and Carbon Fiber Design for Huawei P8 Lite (2015)—

(56)

References Cited

OTHER PUBLICATIONS

Black”, <https://www.amazon.com/dp/B01DL0DME6>, Earliest review date of Jun. 1, 2016, Downloaded on Jul. 18, 2018.

“Spigen Rugged Armor OnePlus 3 Case/OnePlus 3T Case with Resilient Shock Absorption and Carbon Fiber Design for OnePlus 3 2016—Black”, <https://www.amazon.com/dp/B01H3PEWDK>, Earliest review date of Jul. 28, 2016, Downloaded on Jul. 17, 2018.

“Spigen Rugged Armor iPhone 8 Case / iPhone 7 Case with Resilient Shock Absorption and Carbon Fiber Design for Apple iPhone 8 (2017) / iPhone 7 (2016)—Black”, <https://www.amazon.co.uk/Spigen-Rugged-iPhone-Resilient-Absorption/dp/B01GIVX7TA>, Earliest review date of Aug. 2, 2016, downloaded on Oct. 24, 2018.

“Spigen Rugged Armor iPhone 8 Plus/iPhone 7 Plus Case with Resilient Shock Absorption and Carbon Fiber Design for Apple iPhone 8 Plus (2017)/iPhone 7 Plus (2016)—Black”, <https://www.amazon.com/dp/B01GIWGAAC>, Earliest review date of Sep. 2, 2016, Downloaded on Jul. 17, 2018.

“Spigen Rugged Armor Huawei P9 Lite Case with Resilient Shock Absorption and Carbon Fiber Design for Huawei P9 Lite—Black”, <https://www.amazon.com/B01DL0DJGM>, Earliest review date of Sep. 6, 2016, Downloaded on Jul. 18, 2018.

“Spigen Rugged Armor iPhone 8 Case/iPhone 7 Case with Resilient Shock Absorption and Carbon Fiber Design for Apple iPhone 8 (2017)/iPhone 7 (2016)—Black”, <https://www.amazon.com/dp/B01GIVX7TA>, Earliest review date of Sep. 11, 2016, Downloaded on Jul. 17, 2018.

“Spigen Rugged Armor Google Pixel XL Case with Resilient Shock Absorption and Carbon Fiber Design for Google Pixel XL 2016—Black”, <https://www.amazon.com/dp/B01M1EEXWJ>, Earliest review date of Oct. 2, 2016, Downloaded on Jul. 17, 2018.

“Spigen Rugged Armor LG V20 Case with Resilient Shock Absorption and Carbon Fiber Design for LG V20 2016—Black”, <https://www.amazon.com/dp/B01M0HW9P4>, Earliest review date of Oct. 19, 2016, Downloaded on Jul. 18, 2018.

“Spigen Rugged Armor Honor 8 Case with Resilient Shock Absorption for Huawei Honor 8 2016—Black”, <https://www.amazon.com/dp/B01LXTROW1>, Earliest review date of Oct. 20, 2016, Downloaded on Jul. 18, 2018.

“Spigen Rugged Armor Moto Z Droid Case with Resilient Shock Absorption and Carbon Fiber Design for Moto Z Droid 2016—Black”, <https://www.amazon.com/dp/B01HCAQMBQ>, Earliest review date of Dec. 9, 2016, Downloaded on Jul. 17, 2018.

“Spigen Rugged Armor Galaxy A3 2016 Case with Resilient Shock Absorption and Carbon Fiber Design for Galaxy A3 2016—Black”, <https://www.amazon.com/Spigen-Rugged-Armor-Samsung-Galaxy/dp/B01HFMYLIC>, Earliest review date of Dec. 18, 2016, Downloaded on Jul. 17, 2018.

“Spigen Rugged Armor ZenFone 3 Max Case (ZC520TL) with Resilient Shock Absorption and Carbon Fiber Design for ASUS ZenFone 3 Max (ZC520TL)—Black”, <https://www.amazon.com/dp/B01MSDJQ7C>, Earliest review date of Mar. 9, 2017, Downloaded on Jul. 18, 2018.

“Spigen Rugged Armor Extra Designed for LG G6 Case (2017) / Designed for LG G6 Plus (2017)—Black”, <https://www.amazon.com/Spigen-Rugged-Resilient-Absorption-Carbon/dp/B01N6T9PHS>, Earliest review date of Mar. 28, 2017, downloaded on Jan. 9, 2020.

“Spigen Rugged Armor LG G6 Case/G6 Plus Case with Resilient Shock Absorption and Carbon Fiber Design for LG G6/G6 Plus (2017)—Black”, <https://www.amazon.com/dp/B01MUCZILA>, Earliest review date of Mar. 30, 2017, Downloaded on Jul. 18, 2018.

“Spigen Rugged Armor Galaxy S8 Plus Case with Resilient Shock Absorption and Carbon Fiber Design for Galaxy S8 Plus (2017)—Black”, <https://www.amazon.com/Spigen-Rugged-Designed-Samsung-Galaxy/dp/B06XNW4ZVJ>, Earliest review date of Apr. 3, 2017, Downloaded on Jul. 17, 2018.

“Spigen Rugged Armor Galaxy S8 Case with Resilient Shock Absorption and Carbon Fiber Design for Samsung Galaxy S8 (2017)—Black”. <https://www.amazon.com/Spigen-Rugged-Designed->

[Samsung-Galaxy/dp/B06XNNJ4KM](https://www.amazon.com/dp/B06XNNJ4KM), Earliest review date of Apr. 7, 2017, Downloaded on Jul. 17, 2018.

Spigen, “Spigen Rugged Armor Extra”, <https://www.youtube.com/watch?v=ILUEjn1P2hk>, Published May 26, 2017, downloaded on Jan. 9, 2020.

“Spigen Rugged Armor Huawei P10 Plus Case with Resilient Shock Absorption and Carbon Fiber Design for Huawei P10 Plus(2017)—Rugged Armor”, <https://www.amazon.com/dp/B06XFZW779>, Earliest review date of May 26, 2017, Downloaded on Jul. 18, 2018.

“Spigen Rugged Armor Galaxy J7 2017 Case, J7 Prime, J7 2017(AT &T), J7 Sky Pro, J7 Perx case with Resilient Shock Absorption and Carbon Fiber Design for Samsung Galaxy J7 V 2017—Black”, <https://www.amazon.com/Spigen-Rugged-Resilient-Absorption-Samsung/dp/B06WRRF36B>, Earliest review date of May 31, 2017, Downloaded on Jan. 15, 2019.

“Spigen Rugged Armor Huawei P10 Lite Case with Resilient Shock Absorption and Carbon Fiber Design for Huawei P10 Lite (2017)—Black”, <https://www.amazon.com/dp/B06XCNQ3S4>, Earliest review date of Jun. 7, 2017, Downloaded on Jul. 18, 2018.

“Spigen Rugged Armor Huawei P10 Case with Resilient Shock Absorption and Carbon Fiber Design for Huawei P10 (2017)—Black”, <https://www.amazon.com/dp/B06XCTQR1W>, Earliest review date of Jun. 8, 2017, Downloaded on Jul. 18, 2018.

“Spigen Rugged Armor HTC U11 Case with Resilient Shock Absorption and Carbon Fiber Design for HTC U 11 (2017)—Black”, <https://www.amazon.com/dp/B07234FLGX>, Earliest review date of Jun. 17, 2017, Downloaded on Jul. 18, 2018.

“Spigen Rugged Armor Huawei P8 Lite 2017 Case with Resilient Shock Absorption and Carbon Fiber Design for Huawei P8 Lite (2017)/nova lite/P9 lite 2017/Honor 8 lite—Black”, <https://www.amazon.com/dp/B06XFVXMLN>, Earliest review date of Jun. 24, 2017, Downloaded on Jul. 18, 2018.

“Spigen Rugged Armor Extra Galaxy Temp Case with Resilient Shock Absorption and Carbon Fiber Design for Galaxy Temp (2017)—Black”, <https://www.amazon.com/Spigen-Rugged-Galaxy-Resilient-Absorption/dp/B01MTEQVNB>, Earliest review date of Jul. 6, 2017, downloaded on Jan. 9, 2020.

“Spigen Rugged Armor Sony Xperia XZ Premium Case with Resilient Shock Absorption and Carbon Fiber Design for Sony Xperia XZ Premium (2017)—Black”, <https://www.amazon.com/dp/B072PRXPQC>, Earliest review date of Jul. 14, 2017, Downloaded on Jul. 18, 2018.

“Spigen Rugged Armor OnePlus 5 Case with Resilient Shock Absorption and Carbon Fiber Design for OnePlus 5 (2017)—Black”, <https://www.amazon.com/dp/B06XG19W3G>, Earliest review date of Jul. 25, 2017, Downloaded on Jul. 17, 2018.

“Spigen Rugged Armor Moto Z2 Play Case with Resilient Shock Absorption and Carbon Fiber Design for Moto Z2 Play—Black”, <https://www.amazon.com/dp/B071WR4H9V>, Earliest review date of Jul. 27, 2017, Downloaded on Jul. 17, 2018.

“Spigen Rugged Armor Galaxy Note 8 Case with Resilient Shock Absorption and Carbon Fiber Design for Galaxy Note 8 (2017)—Matte Black”, <https://www.amazon.com/Spigen-Rugged-Galaxy-Resilient-Absorption/dp/B073RWJ6Z7>, Earliest review date of Aug. 26, 2017, Downloaded on Jan. 15, 2019.

“Spigen Rugged Armor Galaxy Note 8 Case with Resilient Shock Absorption and Carbon Fiber Design for Galaxy Note 8 (2017)—Matte Black”, <https://www.amazon.com/Spigen-Rugged-Designed-Samsung-Galaxy/dp/B073RWJ6Z7>, Earliest review date of Aug. 26, 2017, Downloaded on Jul. 17, 2018.

“Spigen Rugged Armor Moto E4 Case with Resilient Shock Absorption and Carbon Fiber Design for Moto E4 (2017)—Black”, <https://www.amazon.com/Spigen-Rugged-Armor-Designed-Motorola/dp/B073RVC6YY>, Earliest review date of Sep. 5, 2017, Downloaded on Jul. 17, 2018.

“Spigen Rugged Armor Extra Designed for Apple iPhone 7 Case (2016)—Black”, <https://www.amazon.com/Spigen-Rugged-iPhone-Resilient-Absorption/dp/B06XC8WL7P>, Earliest review date of Sep. 7, 2017, downloaded on Jan. 9, 2020.

“Spigen Rugged Armor Moto Z2 Force Case with Resilient Shock Absorption and Carbon Fiber Design for Moto Z2 Force (2017)—

(56)

References Cited

OTHER PUBLICATIONS

Black", <https://www.amazon.com/Spigen-Rugged-Resilient-Absorption-Carbon/dp/B074BCC6K7>, Earliest review date of Sep. 23, 2017, downloaded on Jul. 17, 2018.

* cited by examiner

FIG. 1

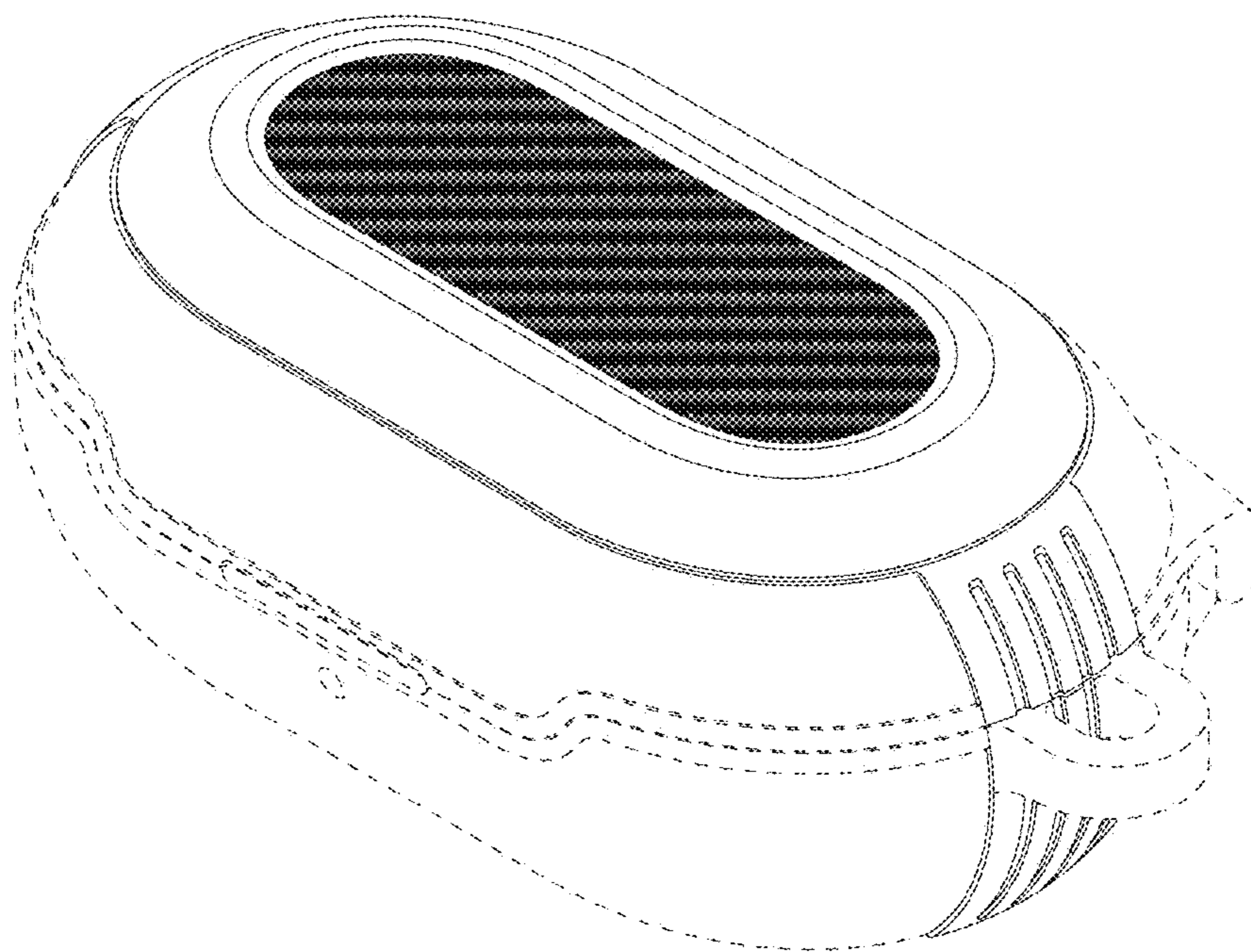


FIG. 2

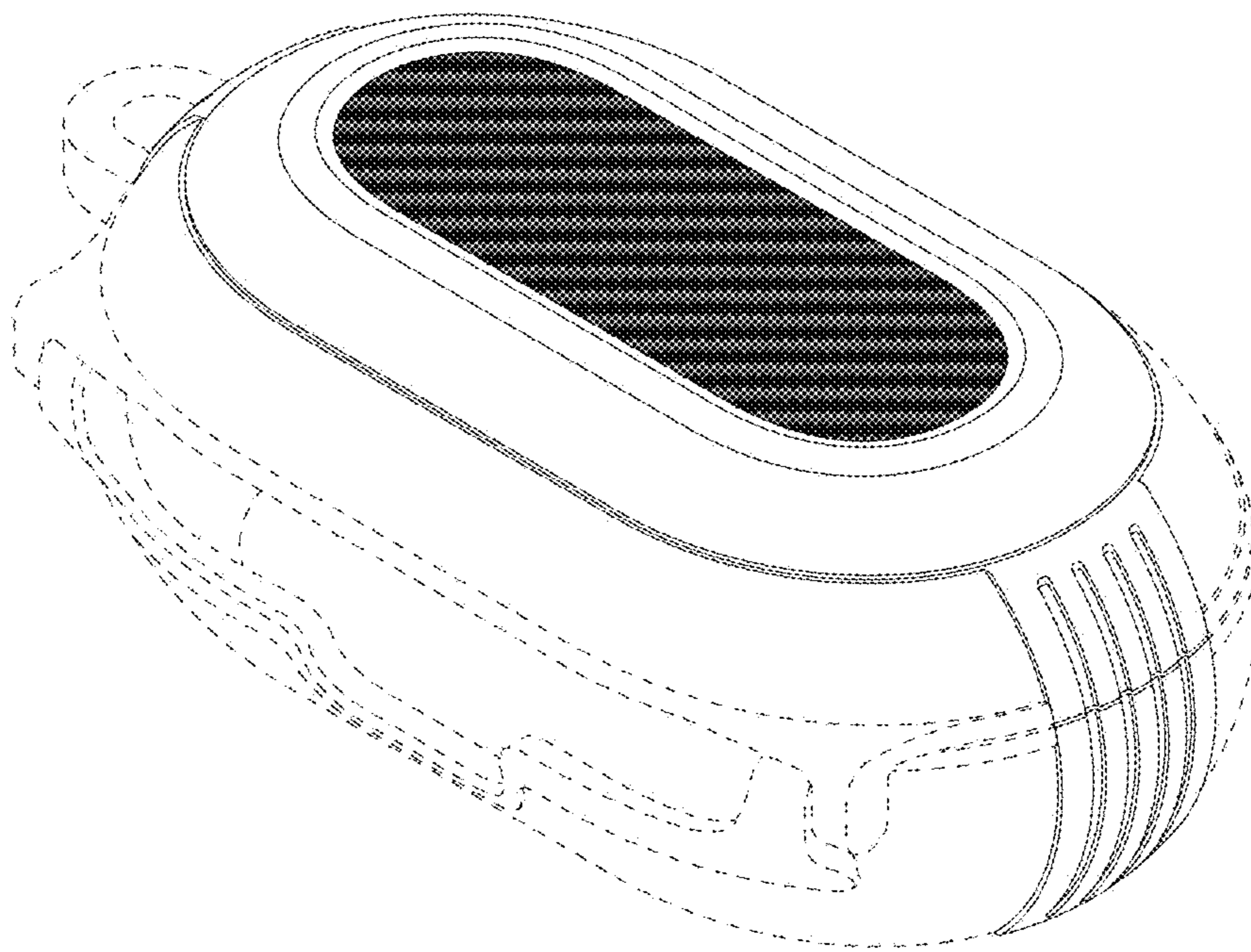


FIG. 3

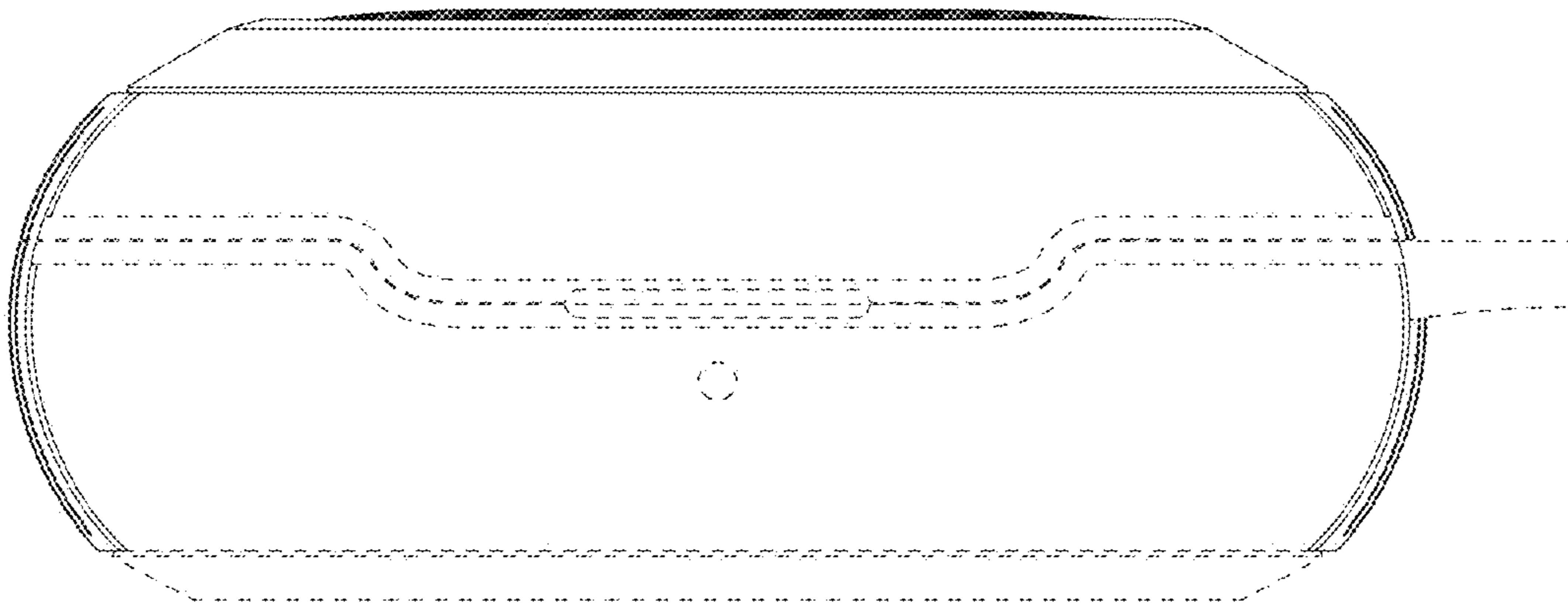


FIG. 4

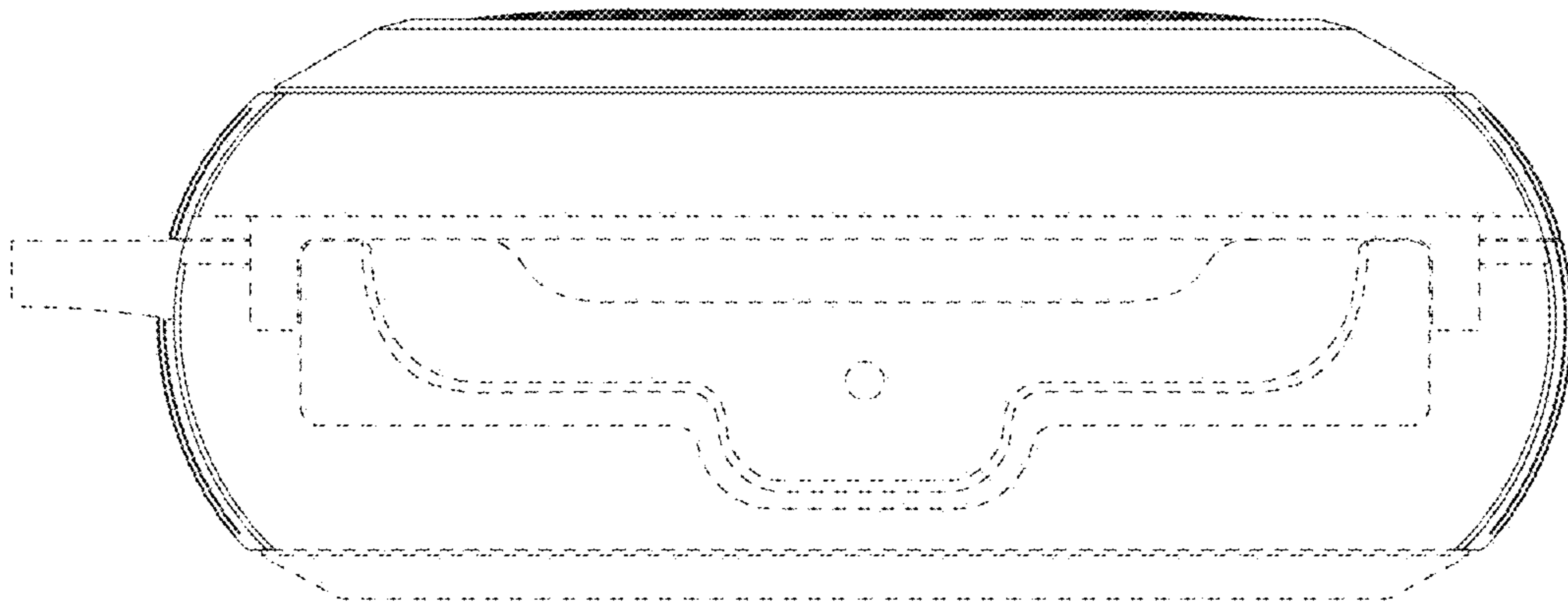


FIG. 5

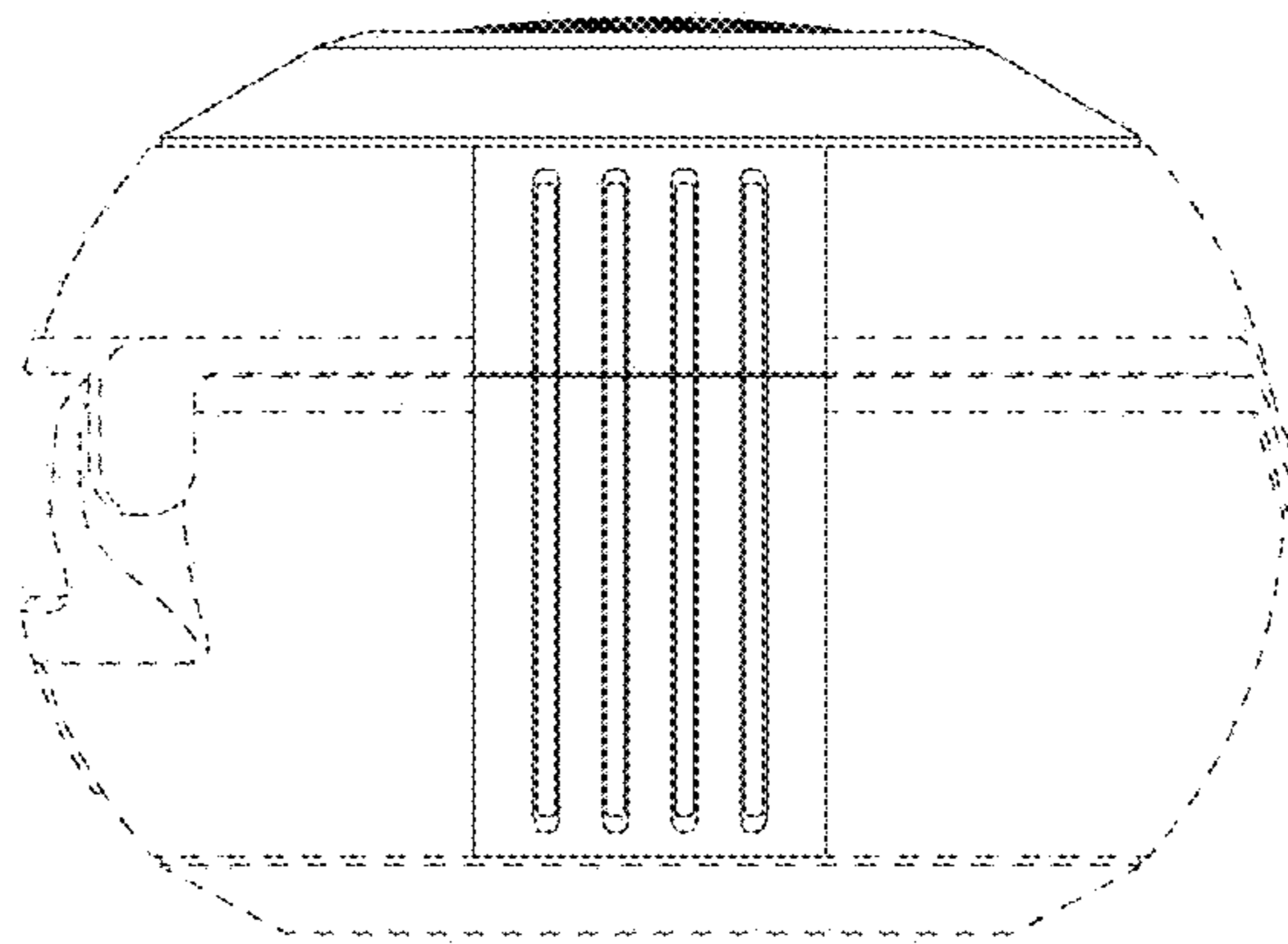


FIG. 6

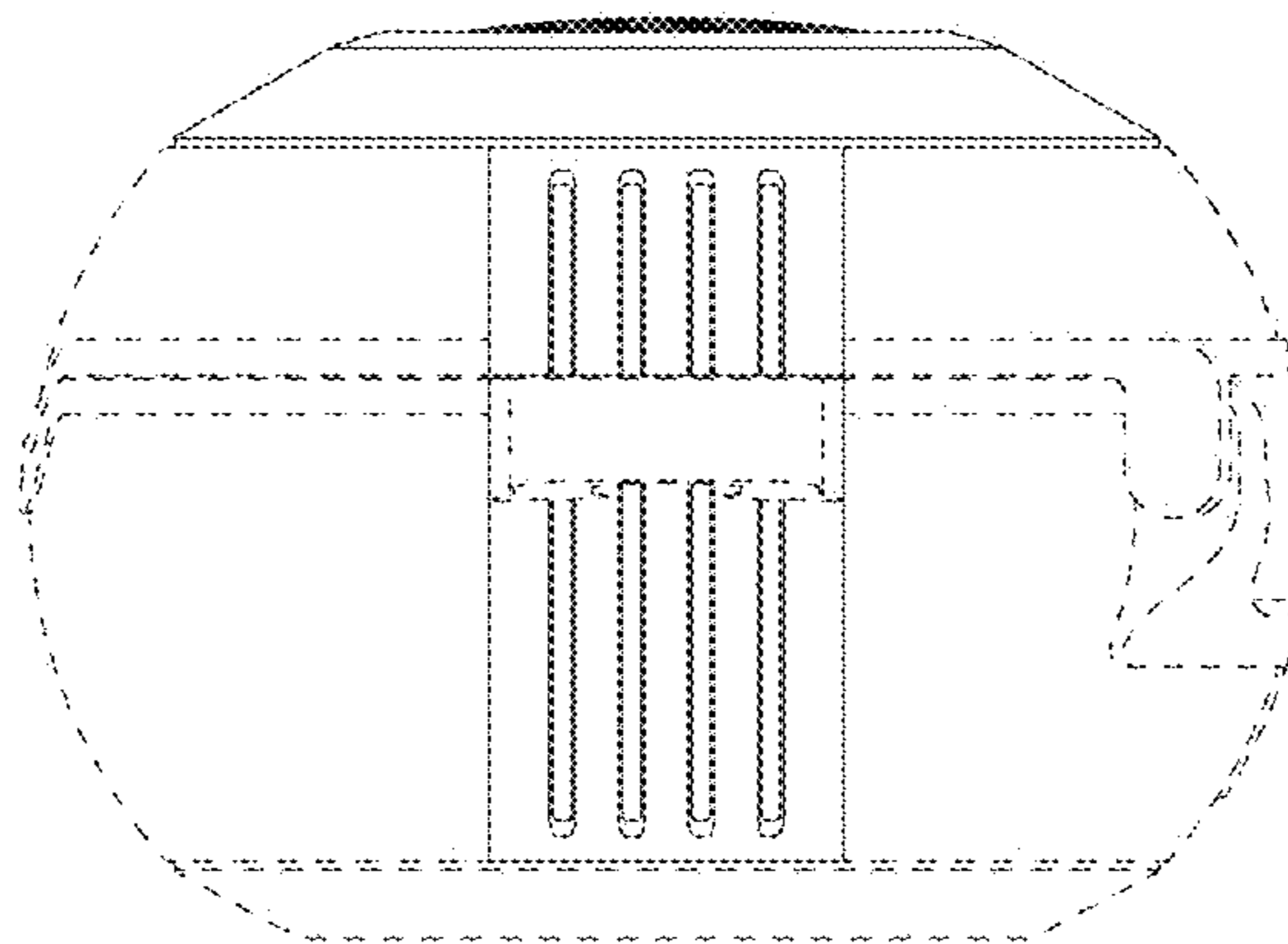


FIG. 7

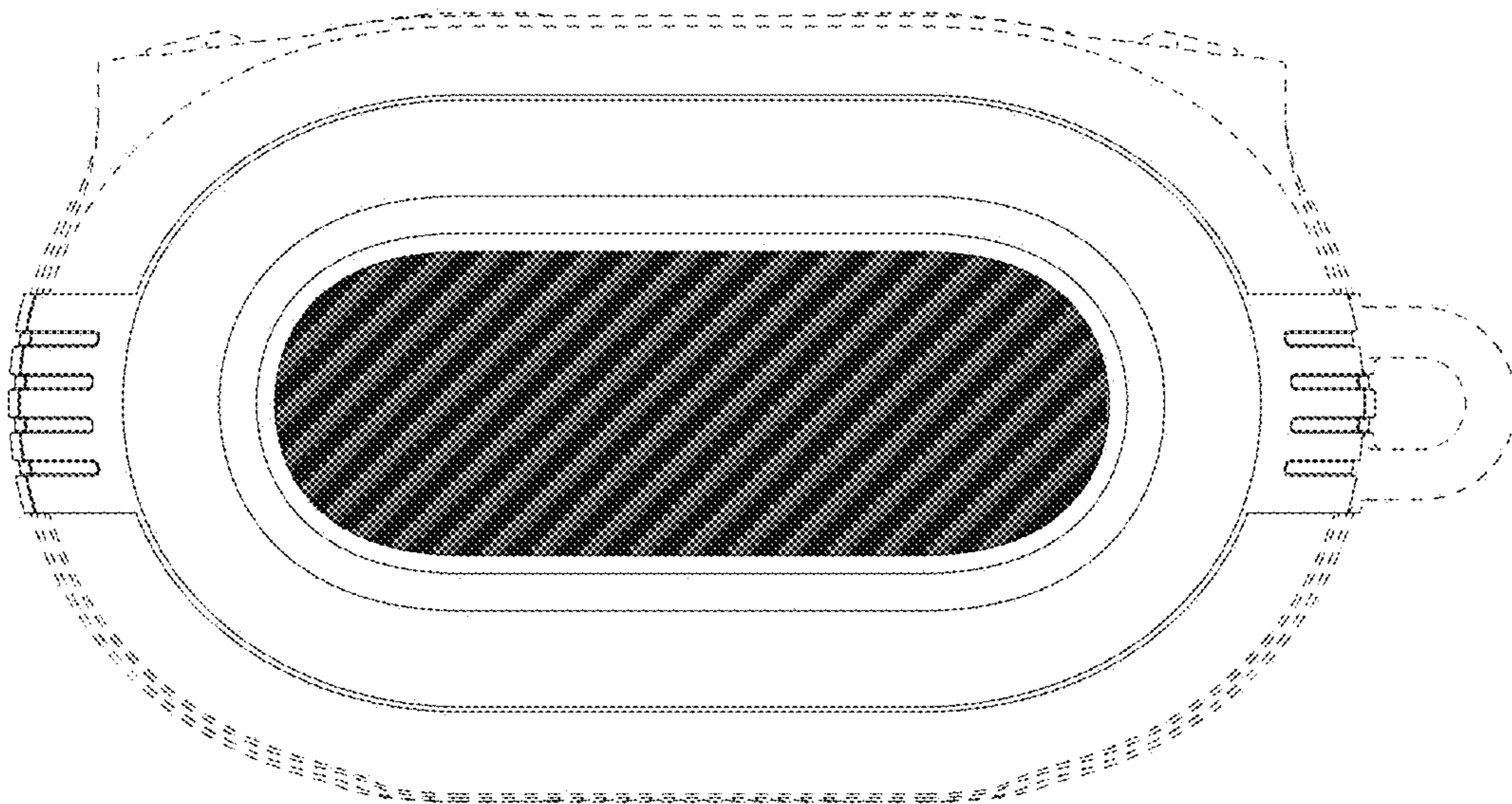


FIG. 8

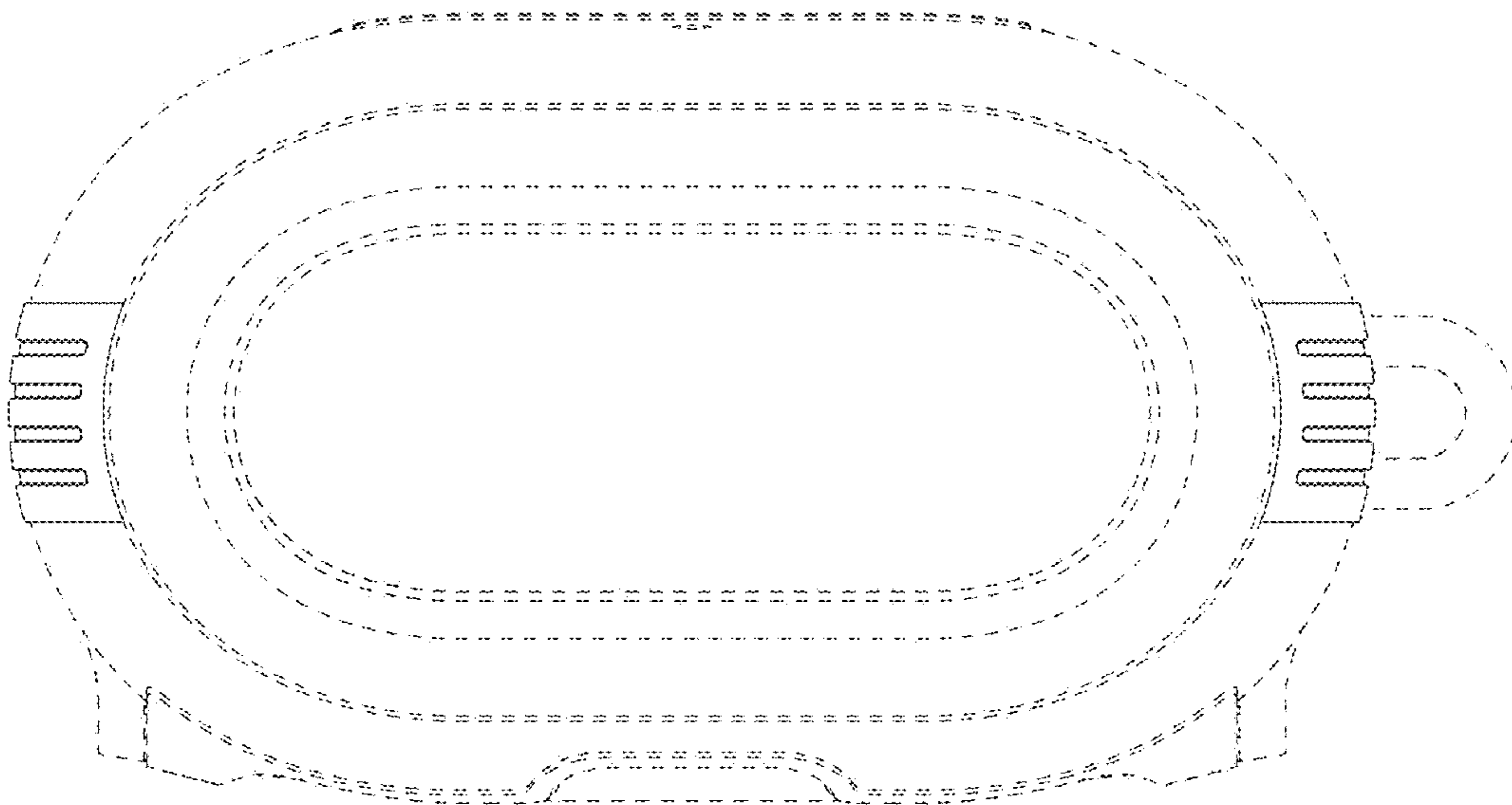


FIG. 9

