



US00D918574S

(12) **United States Design Patent**
Kumria

(10) **Patent No.:** **US D918,574 S**

(45) **Date of Patent:** **** May 11, 2021**

(54) **BELT SHELF**

(71) Applicant: **Ferdinant Kumria**, Holland Landing
(CA)

(72) Inventor: **Ferdinant Kumria**, Holland Landing
(CA)

(**) Term: **15 Years**

(21) Appl. No.: **29/742,094**

(22) Filed: **Dec. 9, 2019**

(51) **LOC (13) Cl.** **03-01**

(52) **U.S. Cl.**

USPC **D3/215; D3/228**

(58) **Field of Classification Search**

USPC D3/228, 226, 215; 224/236, 255,
224/267-269, 661, 683, 585, 222, 270,
224/242, 247, 250, 251, 577, 671, 673,
224/677

CPC B65D 5/4208; B65D 25/04

See application file for complete search history.

(56) **References Cited**

U.S. PATENT DOCUMENTS

- 2,822,116 A * 2/1958 Smalley B65D 5/4208
224/575
- 5,014,892 A 5/1991 Copeland
- 5,310,102 A * 5/1994 Hougham B65B 67/1227
224/222
- D399,055 S * 10/1998 Coady D3/228
- D427,771 S * 7/2000 Trejo D3/315
- D551,857 S * 10/2007 Gonzalez D3/228
- D586,114 S * 2/2009 Ferguson D3/228
- 7,575,136 B2 8/2009 Kemkamp
- 7,762,440 B2 7/2010 Cook
- D630,842 S 1/2011 Fonseca
- D688,462 S * 8/2013 Kinsky D3/315

- D697,708 S * 1/2014 Denzer D3/215
- D714,542 S * 10/2014 Barragan D3/228
- D796,186 S * 9/2017 Coleman A44C 5/0007
D3/215
- 2001/0004987 A1 * 6/2001 Armour B65G 7/12
224/270
- 2004/0045992 A1 * 3/2004 Dohn A45F 5/021
224/673
- 2007/0017945 A1 * 1/2007 Willis A45F 3/14
224/270
- 2007/0057002 A1 3/2007 Timm et al.
- 2008/0283563 A1 11/2008 O'Donnell et al.

FOREIGN PATENT DOCUMENTS

CN 201929073 U 8/2011

* cited by examiner

Primary Examiner — Catherine R Oliver-Garcia

(57) **CLAIM**

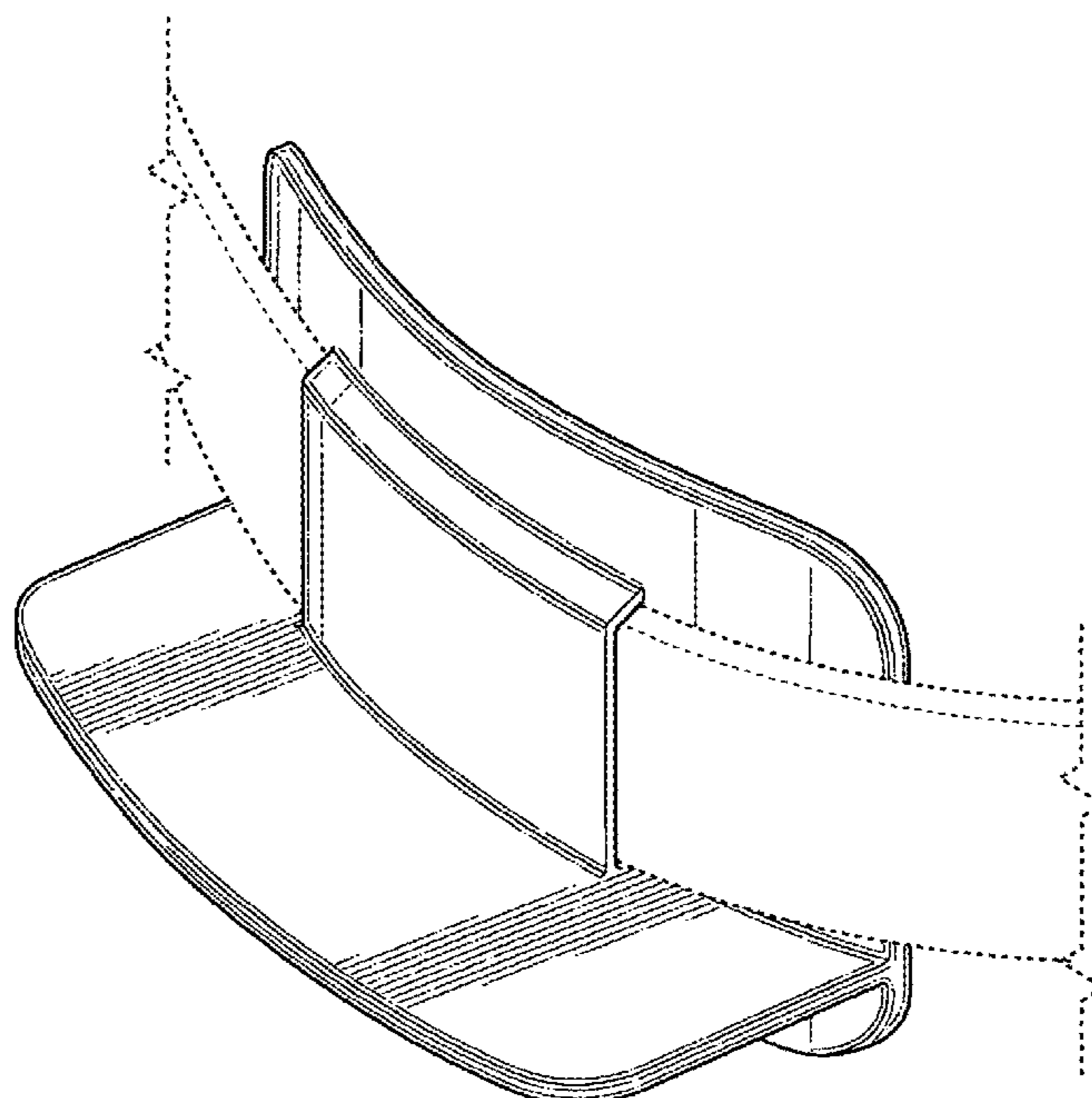
The ornamental design for a belt shelf, as shown and described.

DESCRIPTION

FIG. 1 is a top isometric view of a belt shelf showing my new design;
 FIG. 2 is a top isometric view shown in use;
 FIG. 3 is front elevational view thereof;
 FIG. 4 is a rear elevational view thereof;
 FIG. 5 is a left side view thereof;
 FIG. 6 is a right side view thereof;
 FIG. 7 is a top view thereof; and,
 FIG. 8 is a bottom view thereof.

The broken line showing of environment is included for the purpose of illustrating only and forms no part of the claimed design.

1 Claim, 4 Drawing Sheets



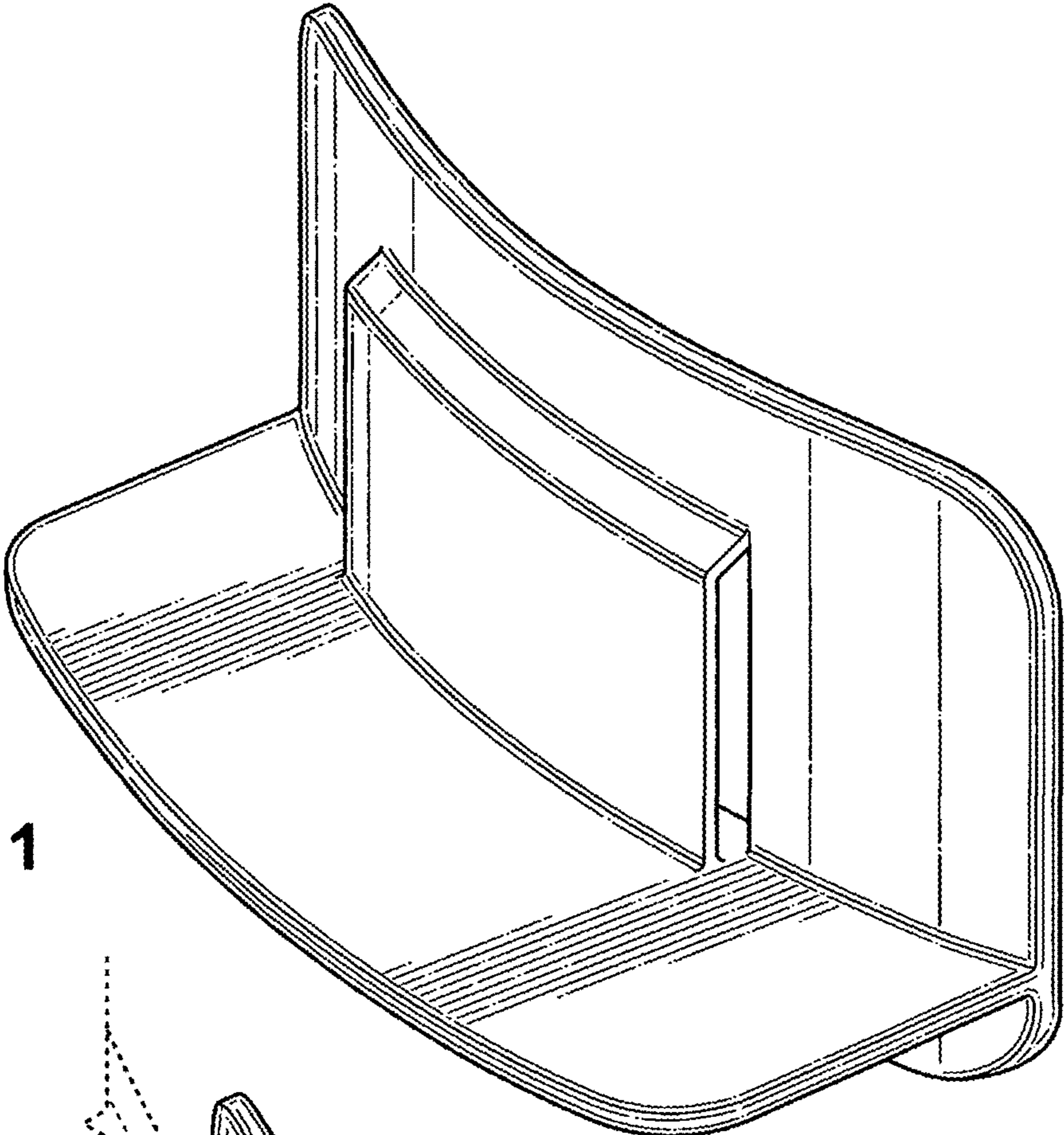


FIG. 1

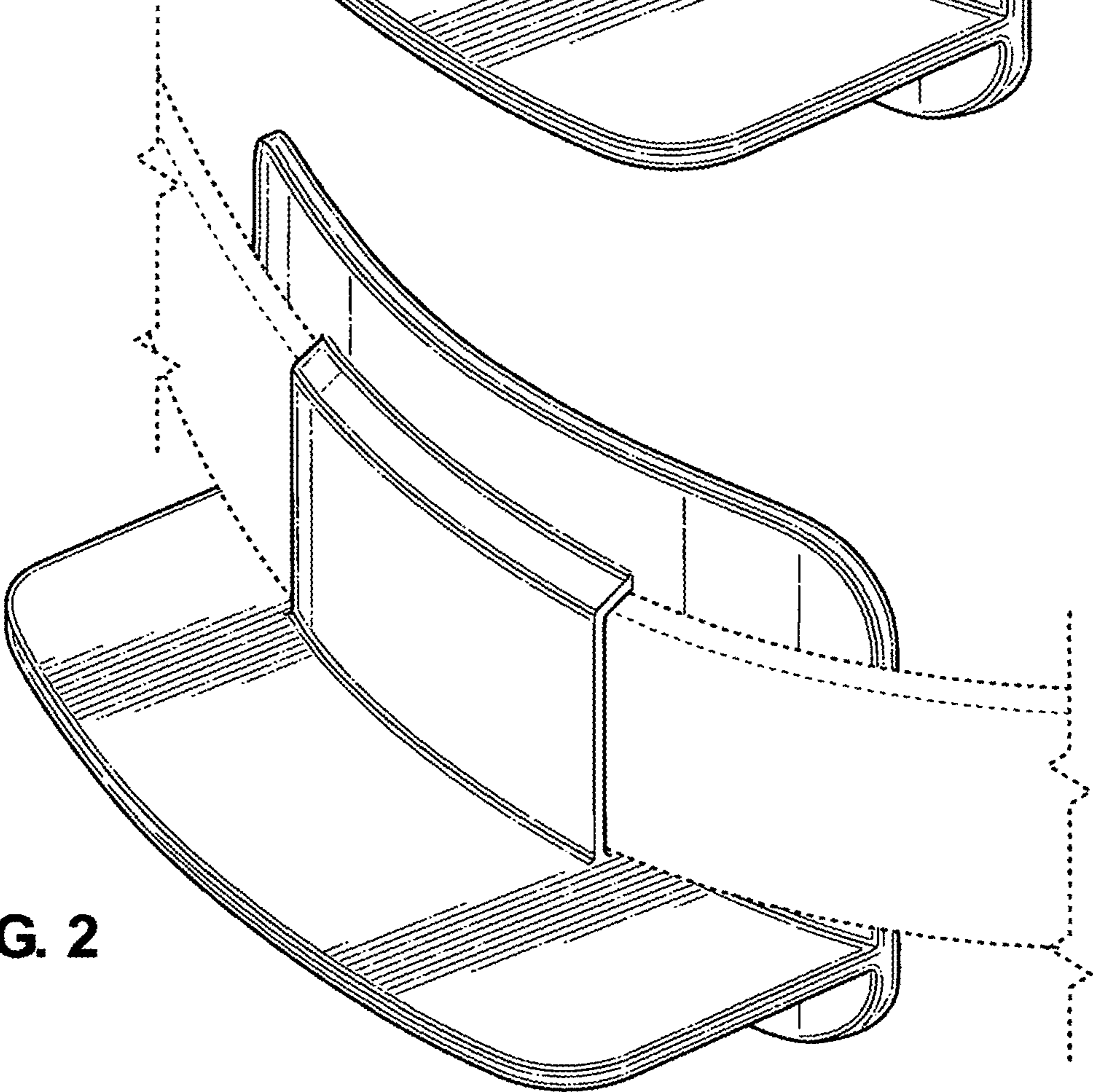


FIG. 2

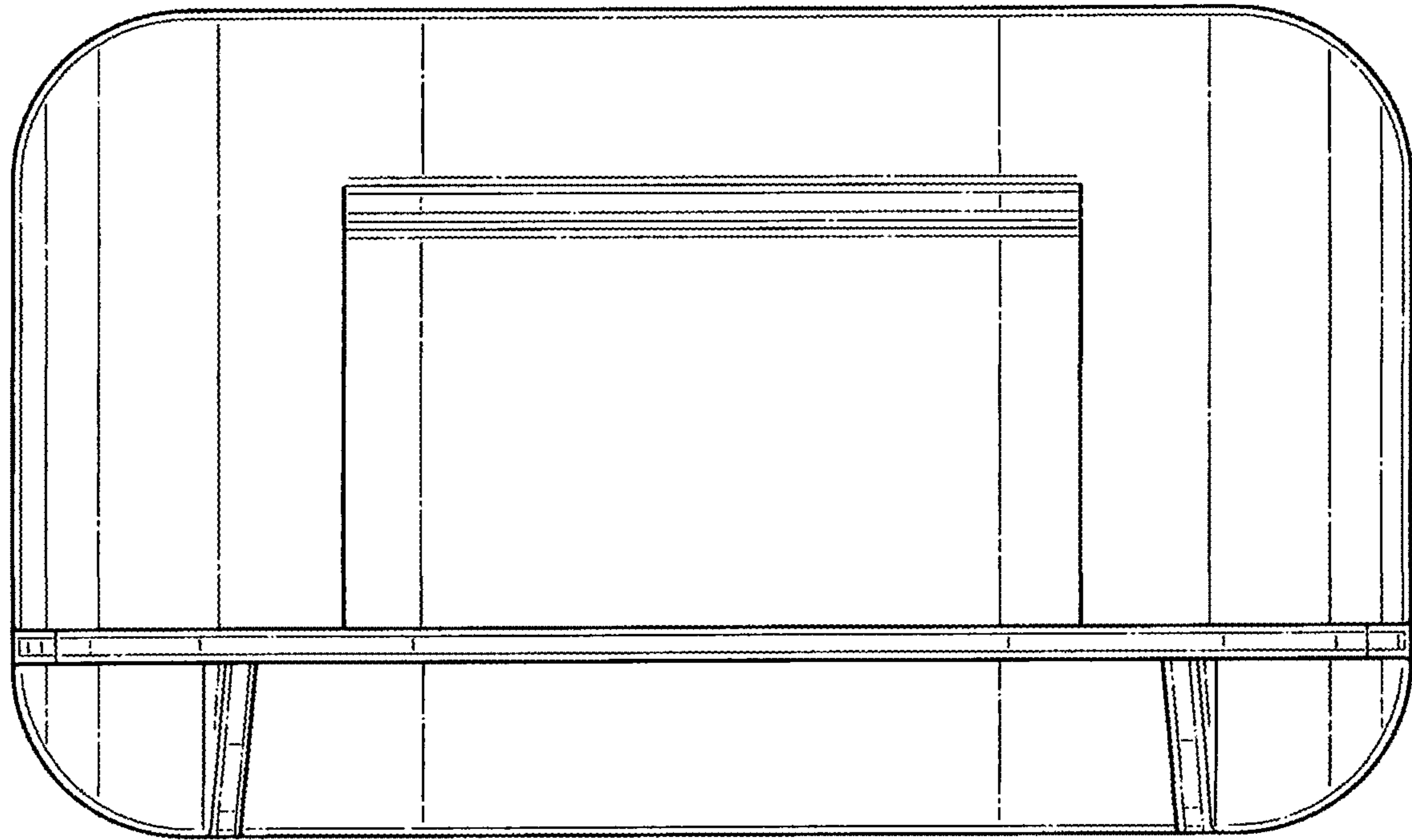


FIG. 3

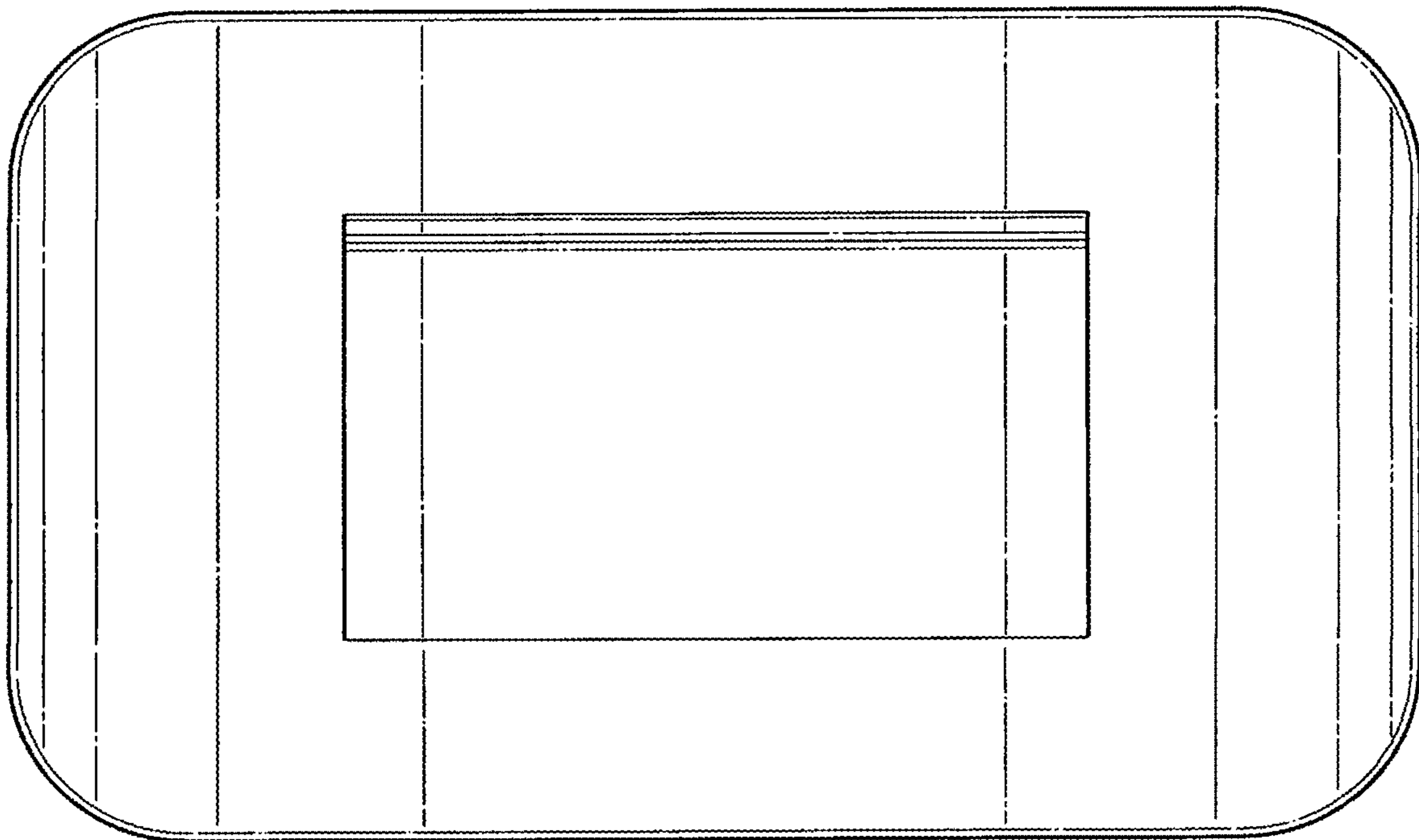


FIG. 4

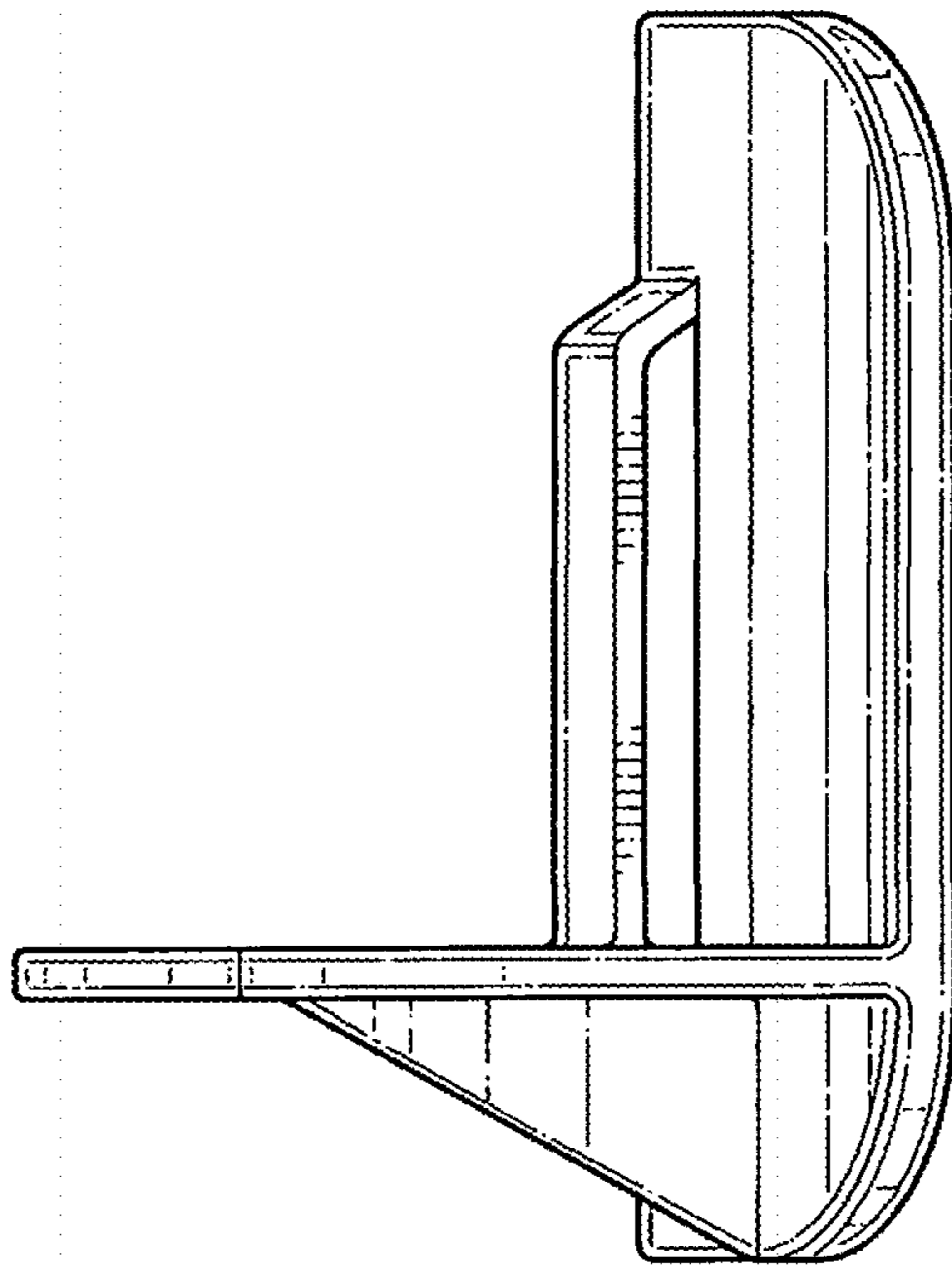


FIG. 5

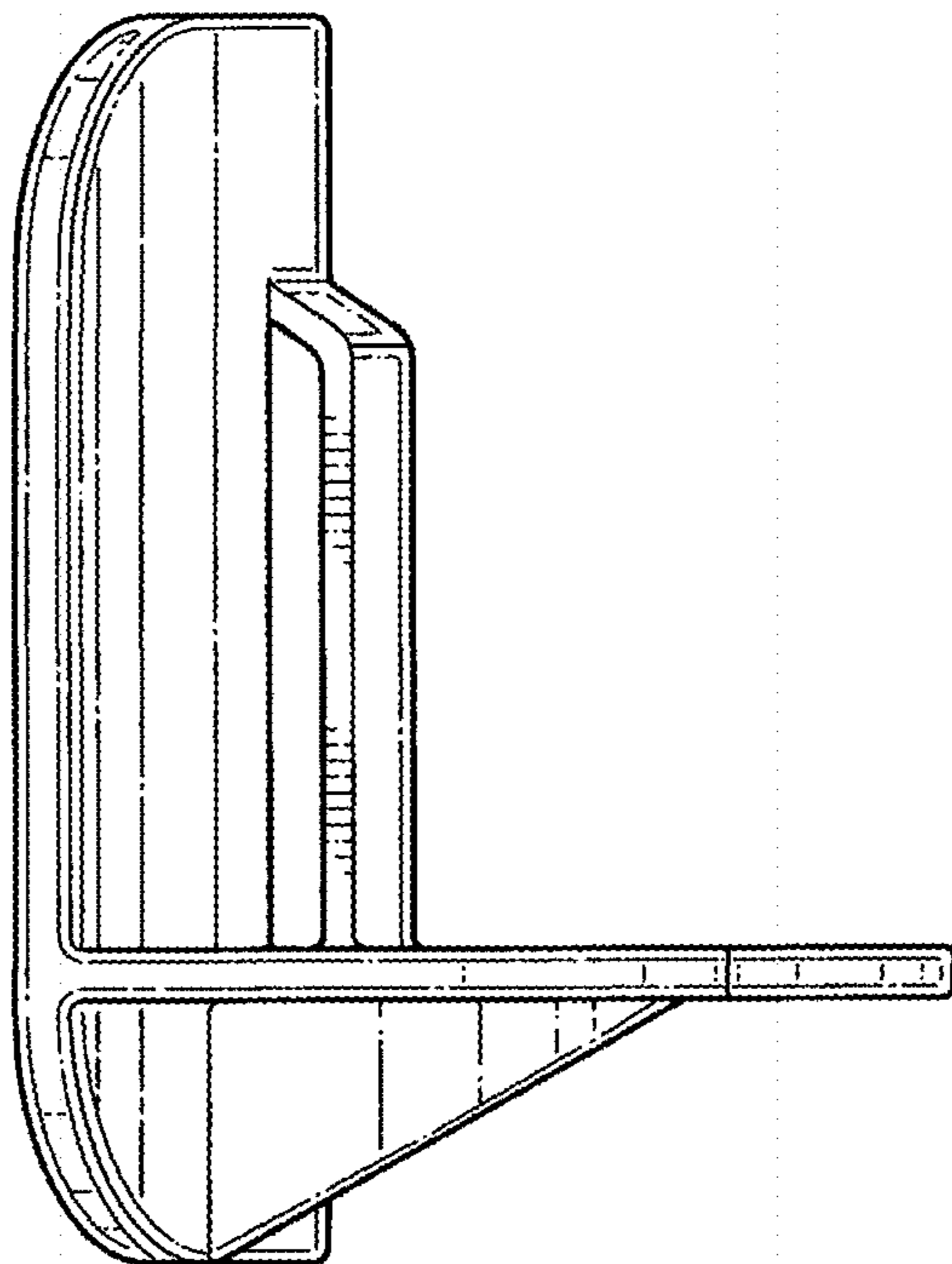


FIG. 6

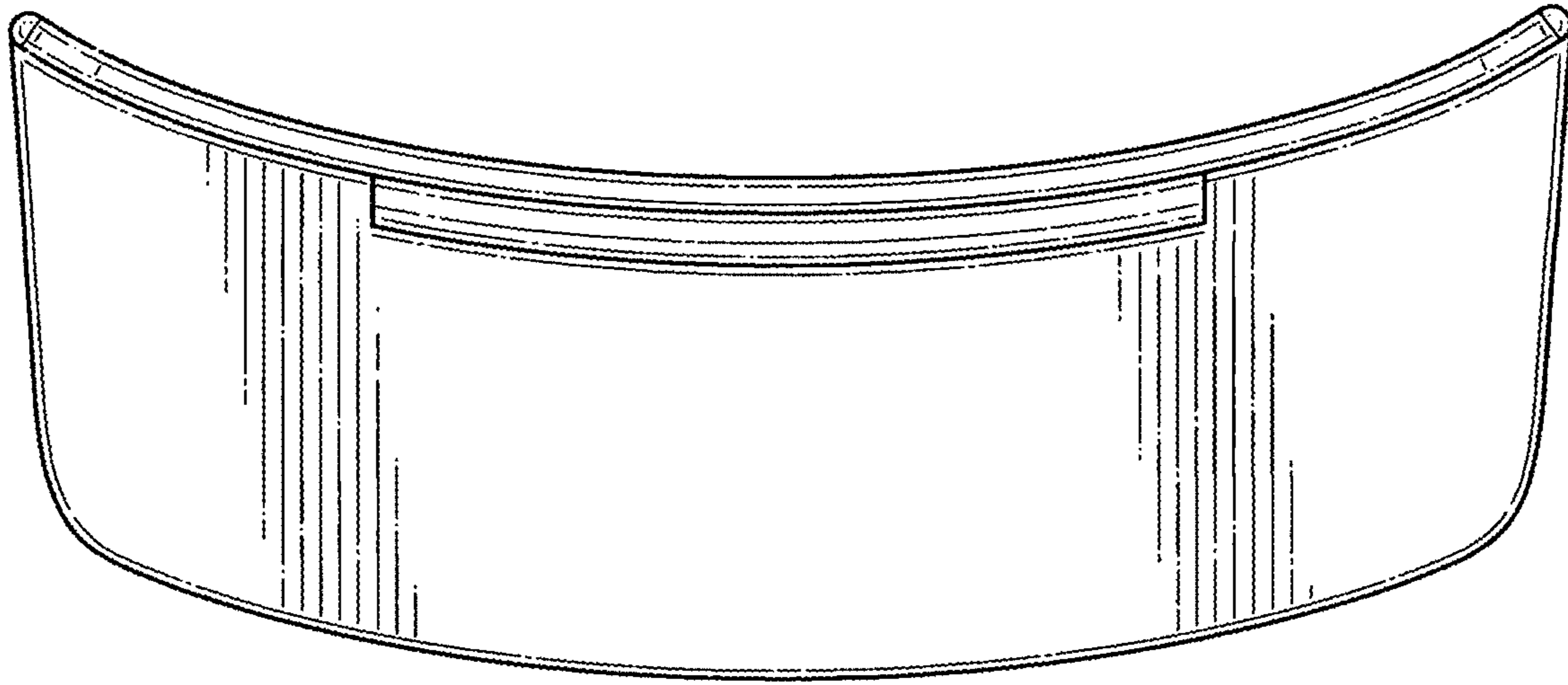


FIG. 7

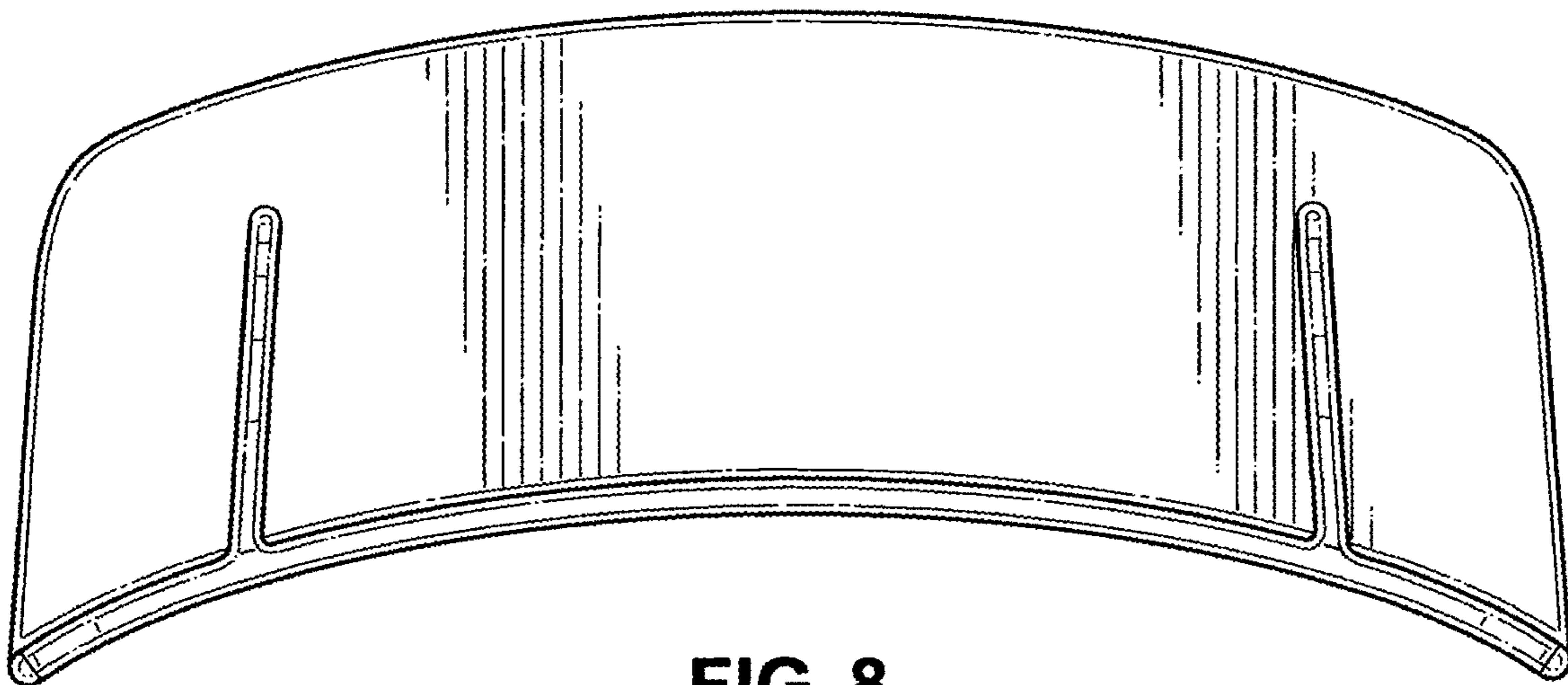


FIG. 8