



US00D918573S

(12) **United States Design Patent** (10) **Patent No.:** **US D918,573 S**  
**Qiao** (45) **Date of Patent:** **\*\* May 11, 2021**

(54) **PENCIL CASE**

D894,590 S \* 9/2020 Jais ..... D3/205  
D903,300 S \* 12/2020 Chen ..... D3/206  
D903,301 S \* 12/2020 Chen ..... D3/206

(71) Applicant: **Shenzhen Yuansule Technology Co., Ltd.**, Guangdong (CN)

\* cited by examiner

(72) Inventor: **Yunxia Qiao**, Guangdong (CN)

*Primary Examiner* — Charles D Hanson

(73) Assignee: **Shenzhen Yuansule Technology Co., Ltd.**, Guangdong (CN)

(74) *Attorney, Agent, or Firm* — ScienBiziP, P.C.

(\*\*) Term: **15 Years**

(57) **CLAIM**

The ornamental design for a pencil case, as shown and described.

(21) Appl. No.: **29/747,281**

**DESCRIPTION**

(22) Filed: **Aug. 20, 2020**

FIG. 1 is a front perspective view of a pencil case, showing my design.

(51) **LOC (13) Cl.** ..... **03-01**

FIG. 2 is a bottom plan view thereof.

(52) **U.S. Cl.**  
USPC ..... **D3/206**

FIG. 3 is a top plan view thereof.

(58) **Field of Classification Search**  
USPC ..... D3/205, 206  
CPC ..... A45C 11/34; A45C 11/36  
See application file for complete search history.

FIG. 4 is a left side elevation view thereof.

FIG. 5 is a right side elevation view thereof.

FIG. 6 is a front elevation view thereof.

FIG. 7 is a rear elevation view thereof.

FIG. 8 is a front perspective view of the pencil case of FIG. 1 wherein a zipper of the pencil case is opened and the pencil case is extended.

FIG. 9 is a rear perspective view of the pencil case of FIG. 1 wherein the zipper of the pencil case is opened and the pencil case is extended.

FIG. 10 is a perspective view of the pencil case of FIG. 8 wherein a cover of the pencil case is opened; and,

FIG. 11 is another perspective view of the pencil case of FIG. 8 wherein another cover of the pencil case is opened.

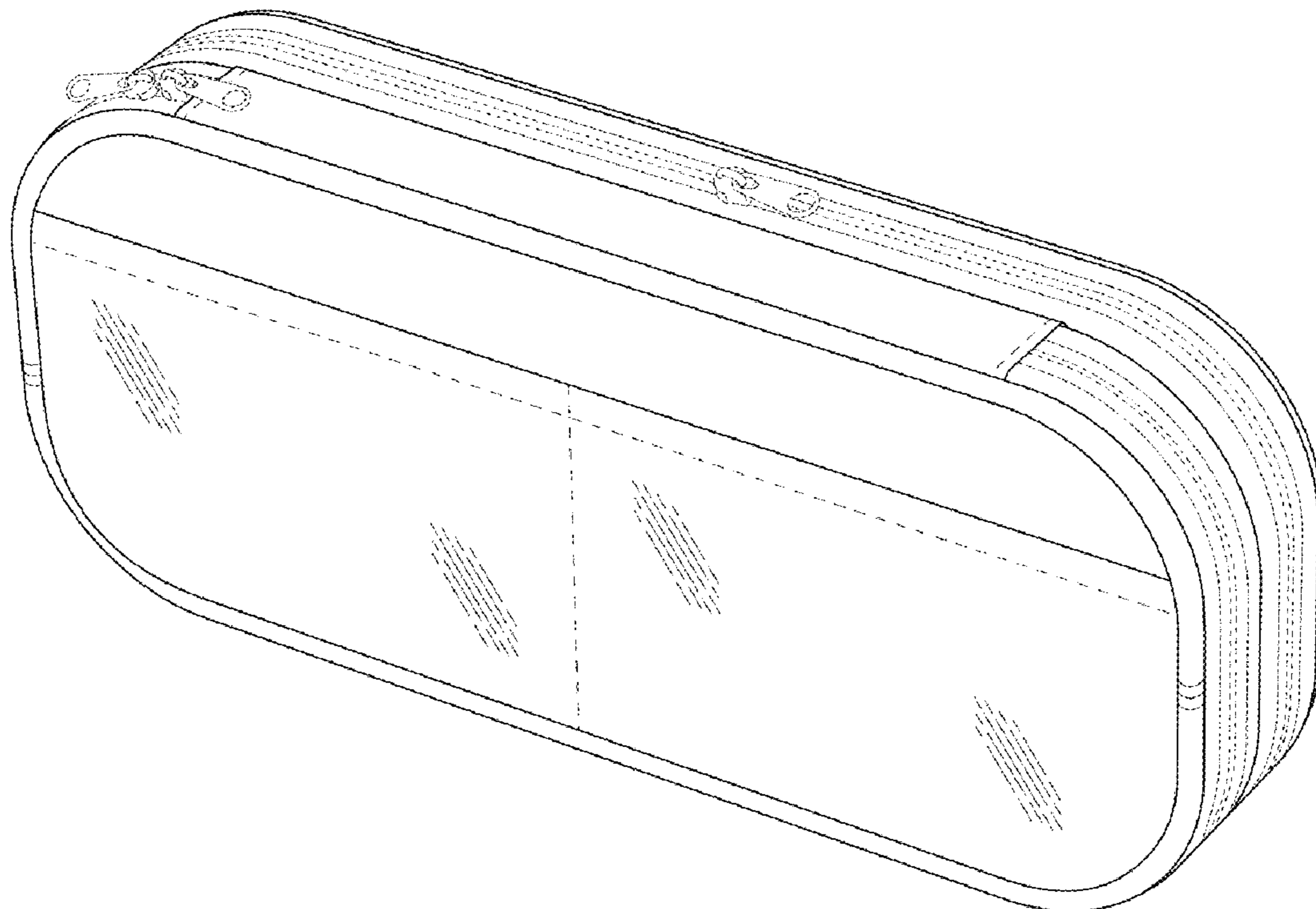
The broken lines in the drawings depict environmental structure and boundaries and form no part of the claimed design.

(56) **References Cited**

**U.S. PATENT DOCUMENTS**

D457,723 S *	5/2002	Tyler	.....	D3/219
D461,046 S *	8/2002	Cohen	.....	D3/205
D463,907 S *	10/2002	Lemoine	.....	D3/205
D479,041 S *	9/2003	Fonfeder	.....	D3/206
D790,211 S *	6/2017	Constantini	.....	D3/205
D816,984 S *	5/2018	Jusic	.....	D3/205
D858,086 S *	9/2019	Case	.....	D3/205
D861,325 S *	10/2019	Chen	.....	D3/205
D883,656 S *	5/2020	Huai	.....	D3/206
D884,336 S	5/2020	Feng	.....	

**1 Claim, 11 Drawing Sheets**



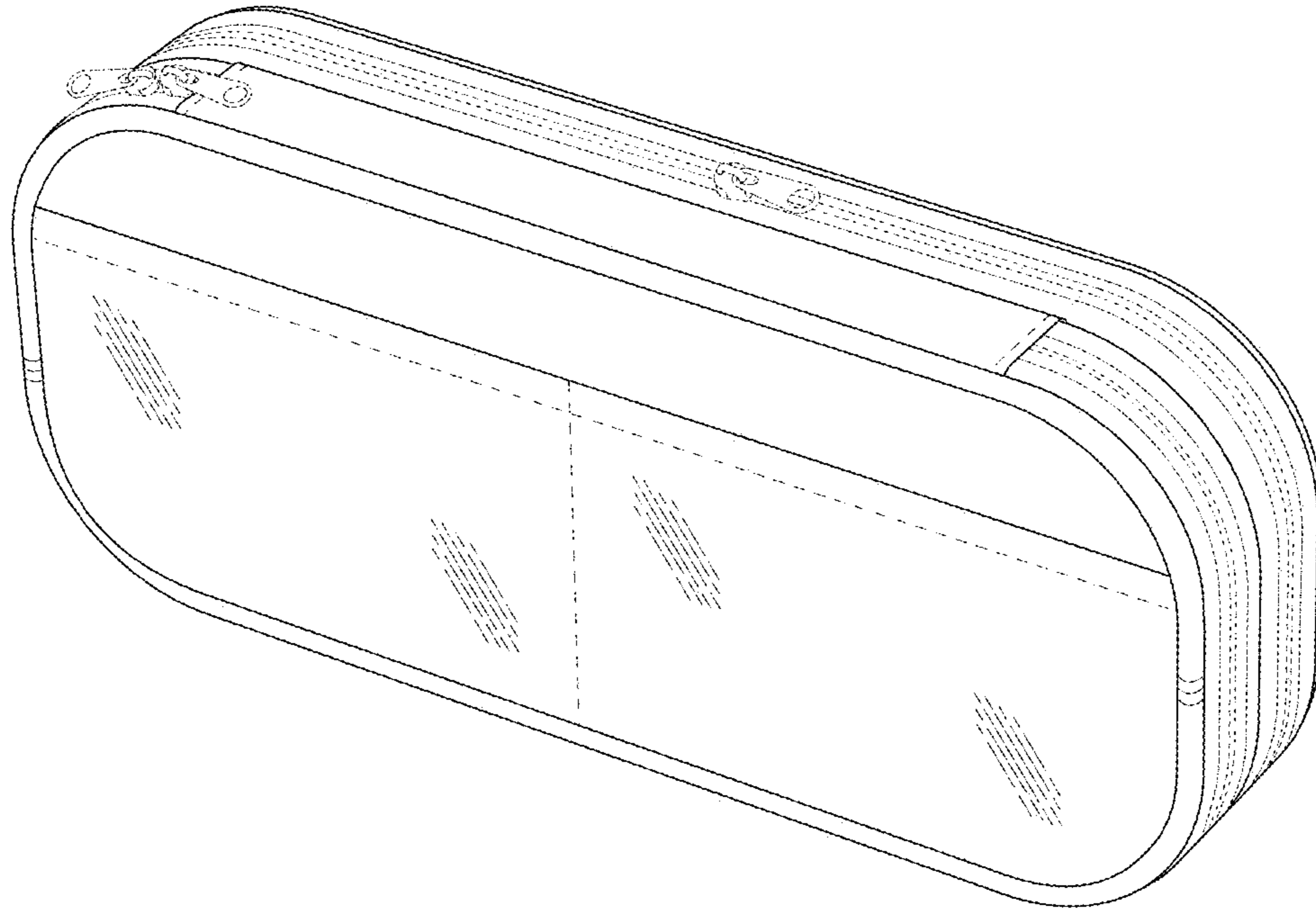


FIG.1

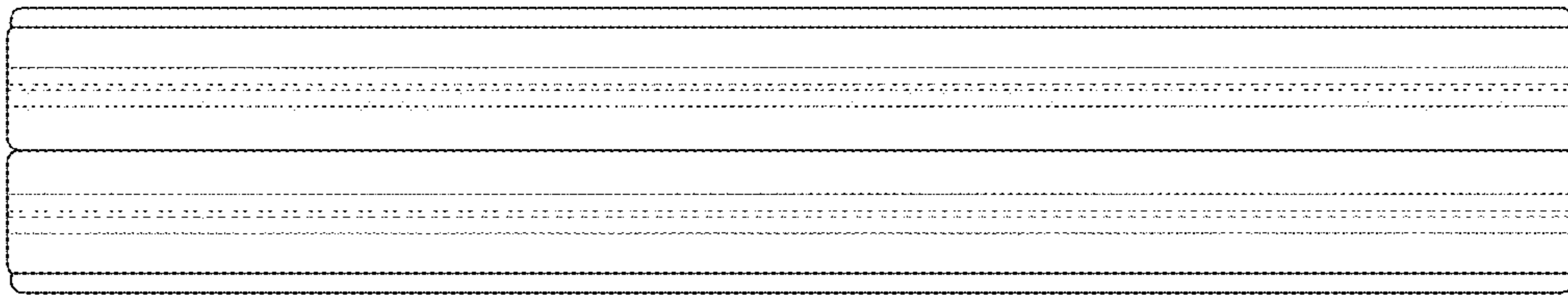


FIG.2

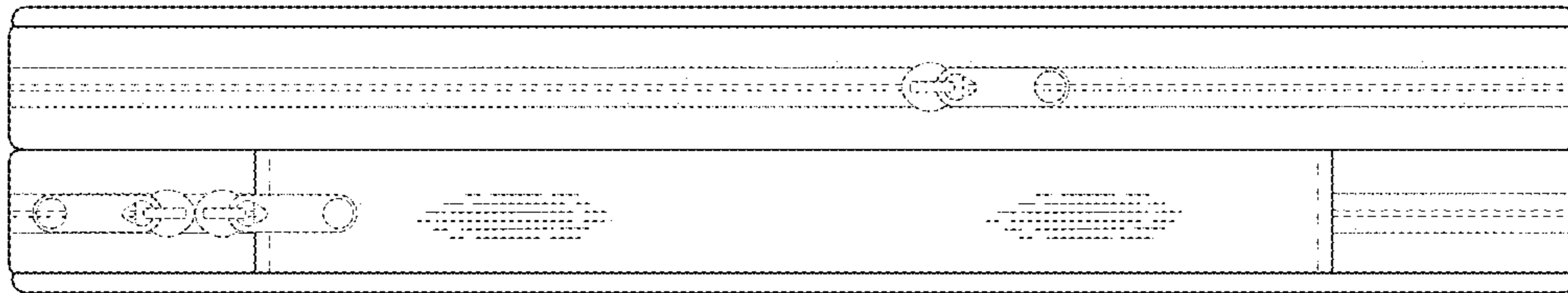


FIG.3

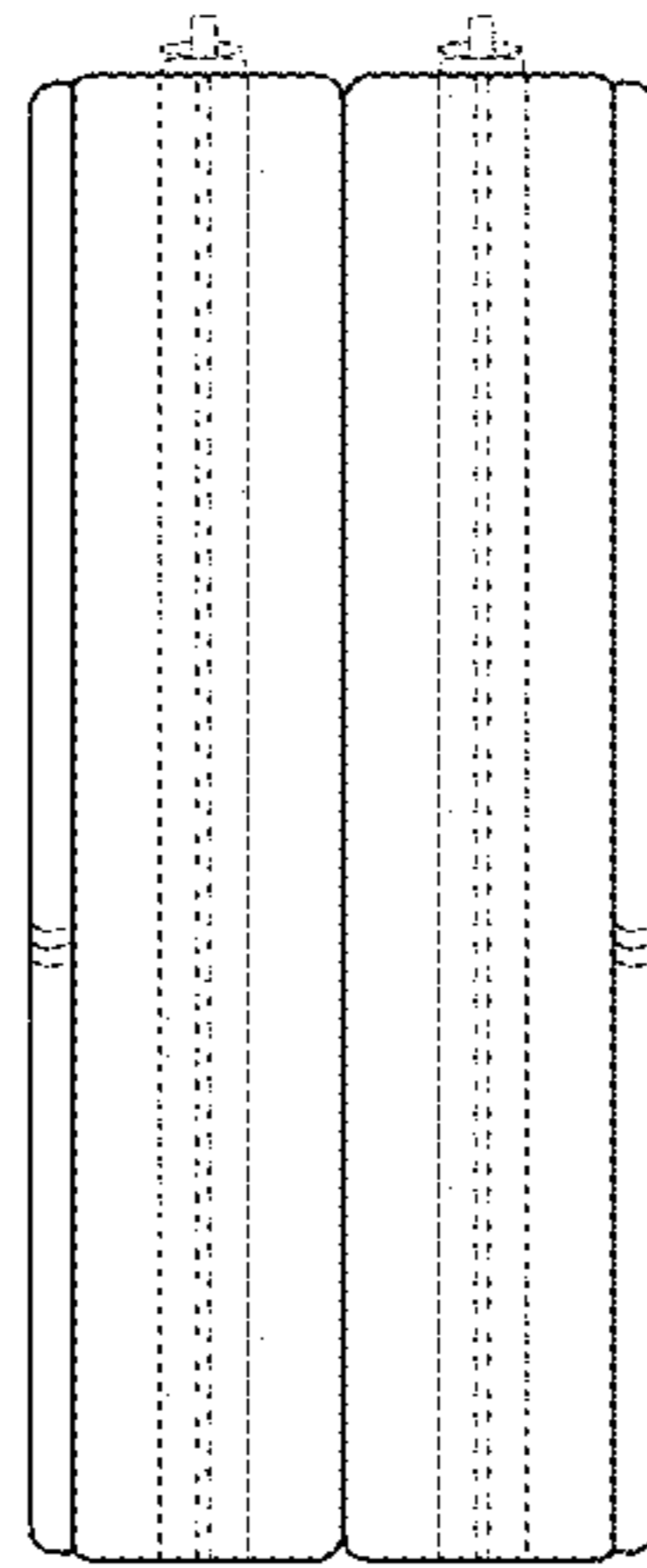


FIG.4

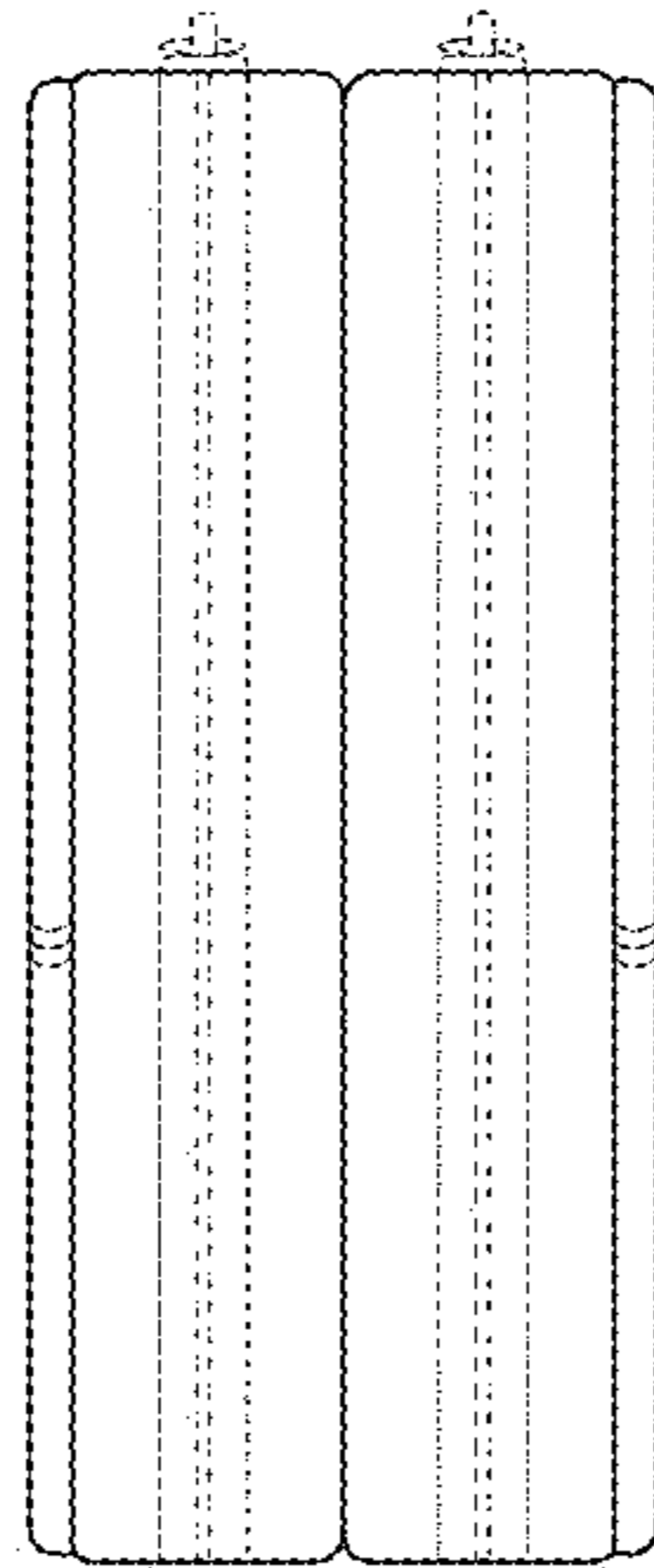


FIG.5

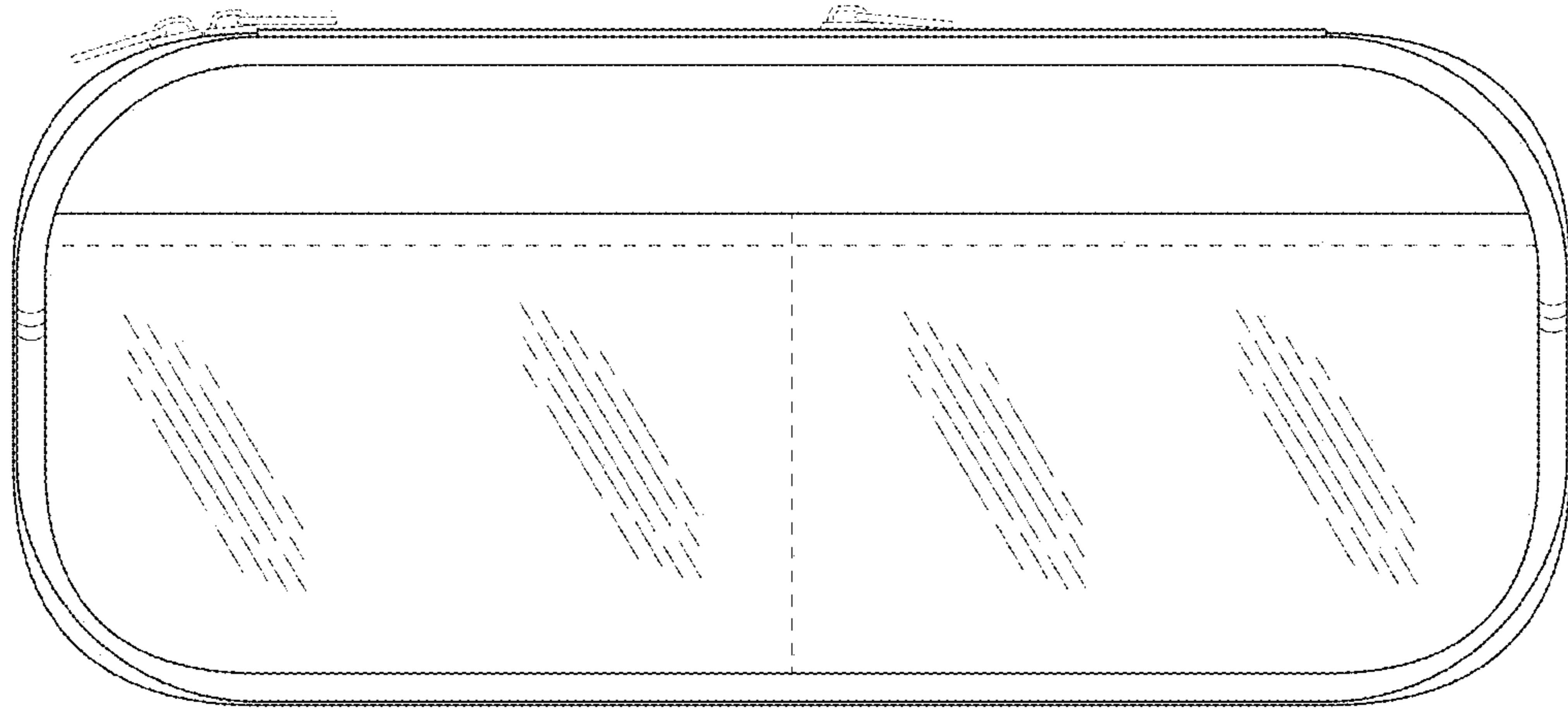


FIG.6

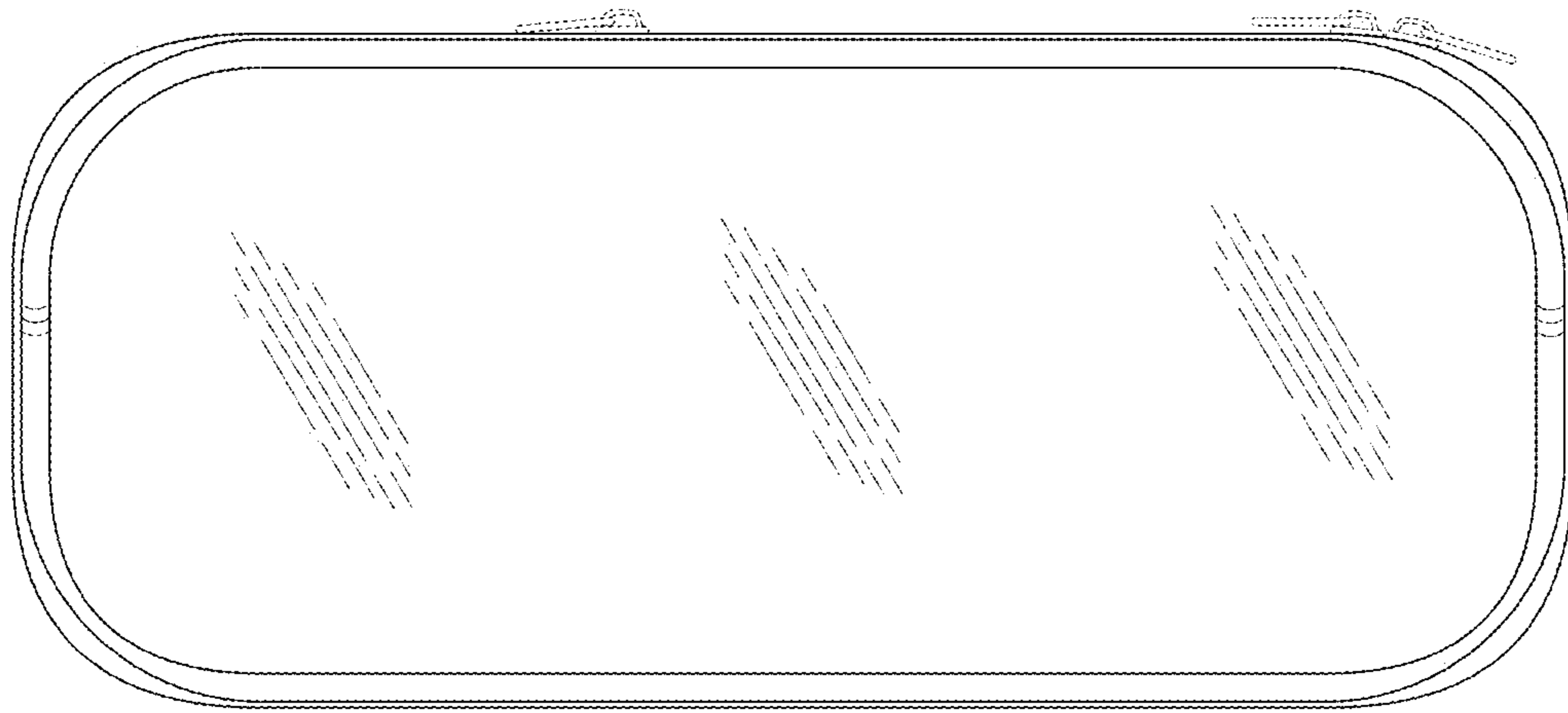


FIG. 7



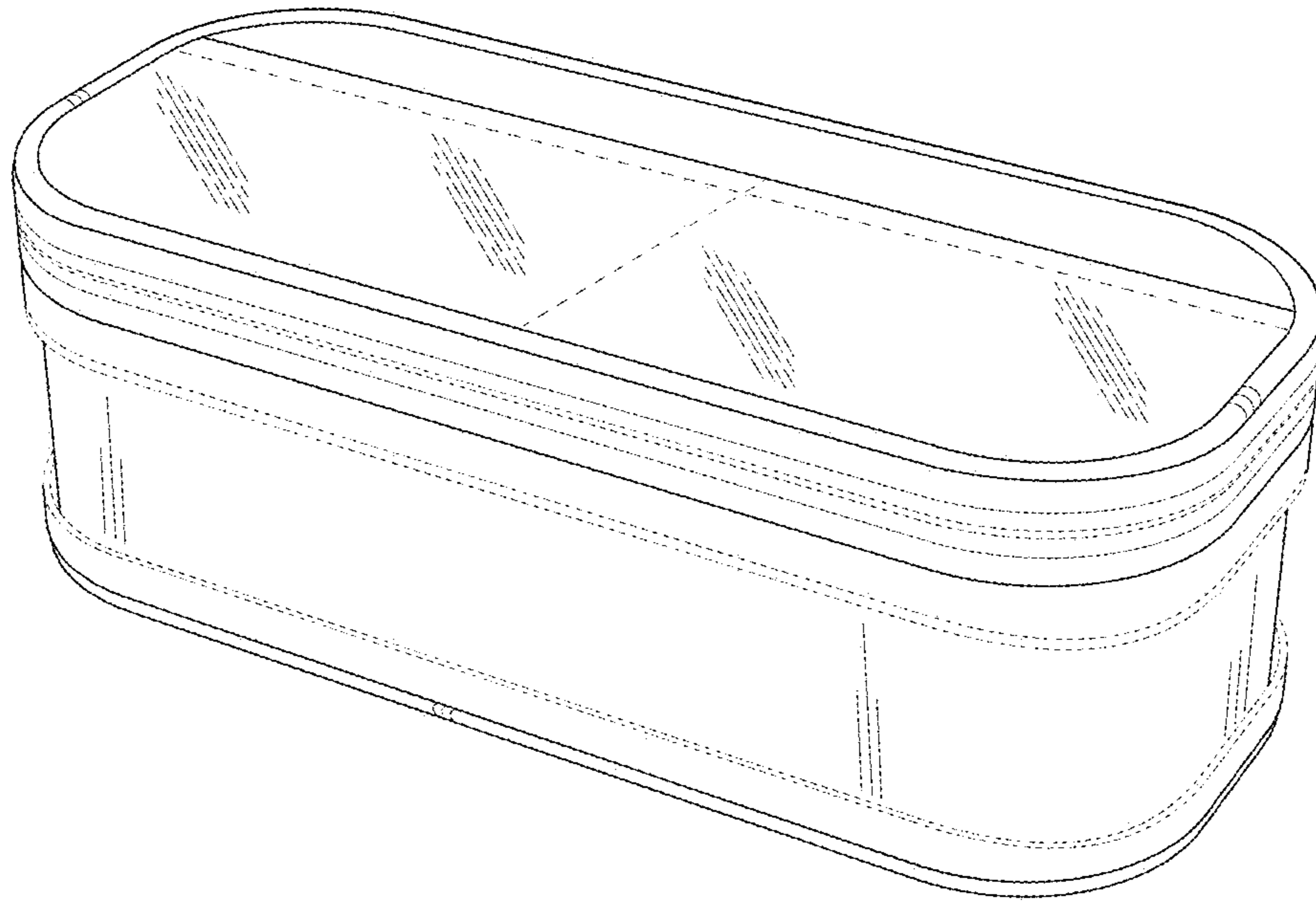


FIG.8

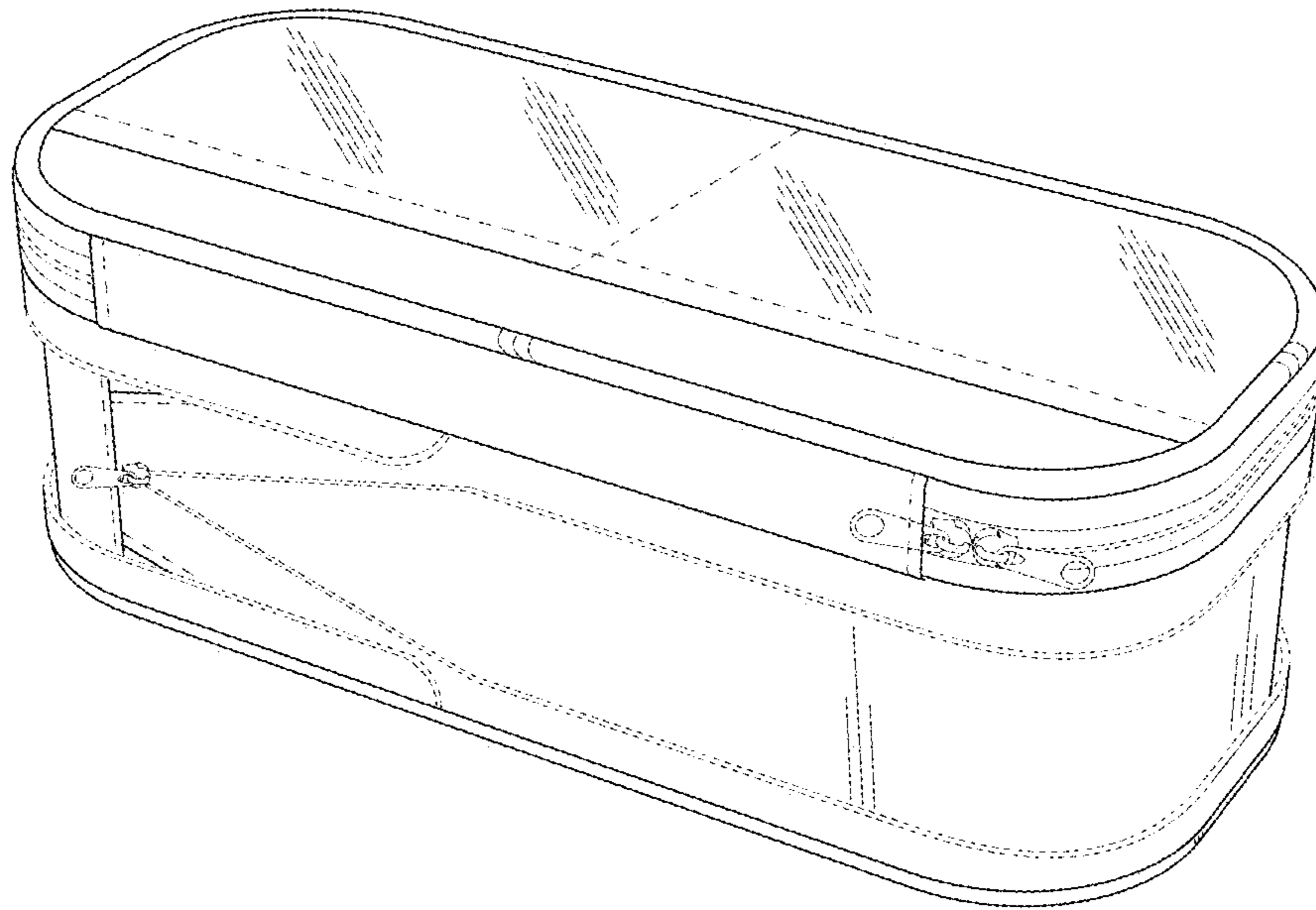


FIG.9

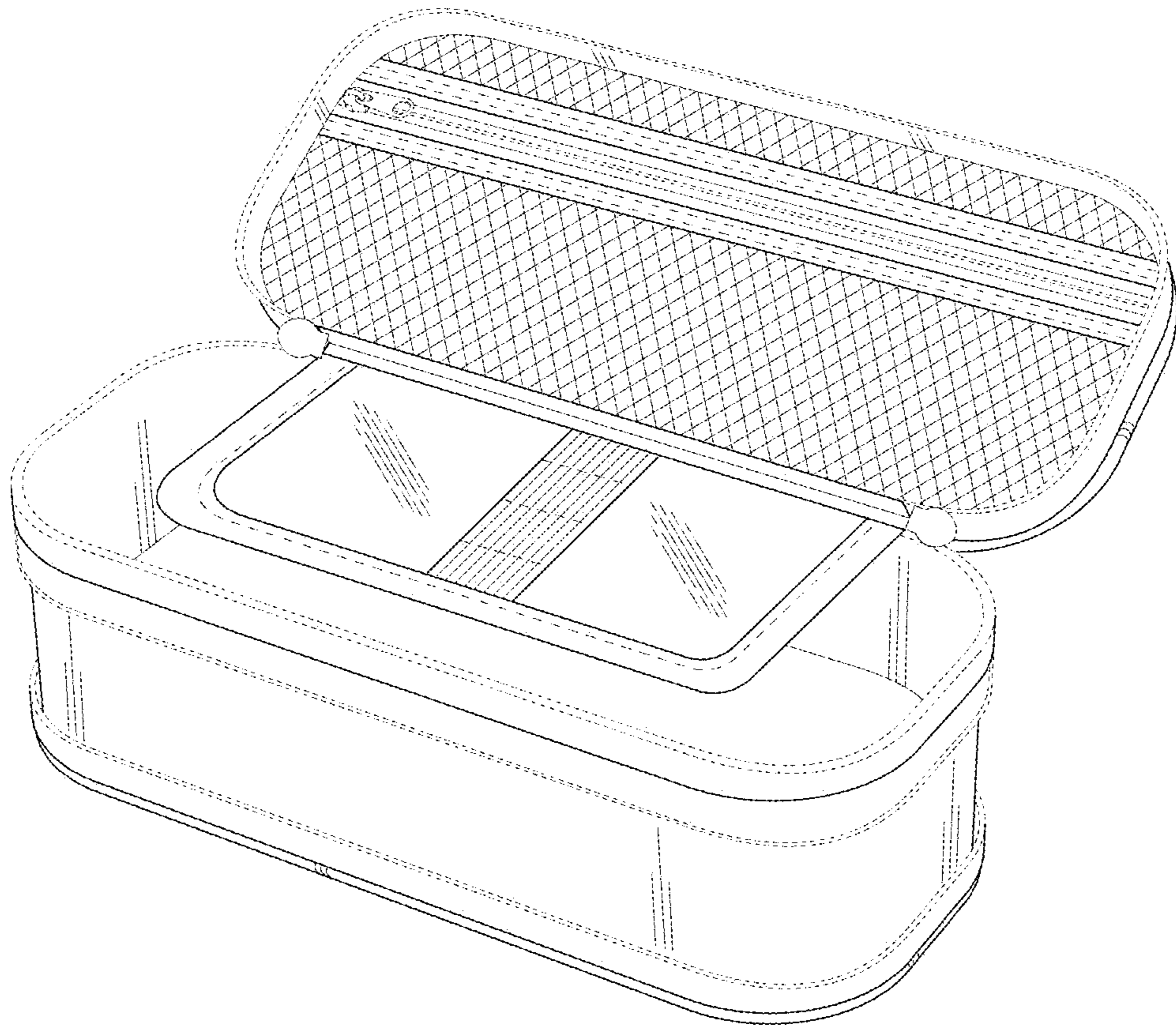


FIG.10

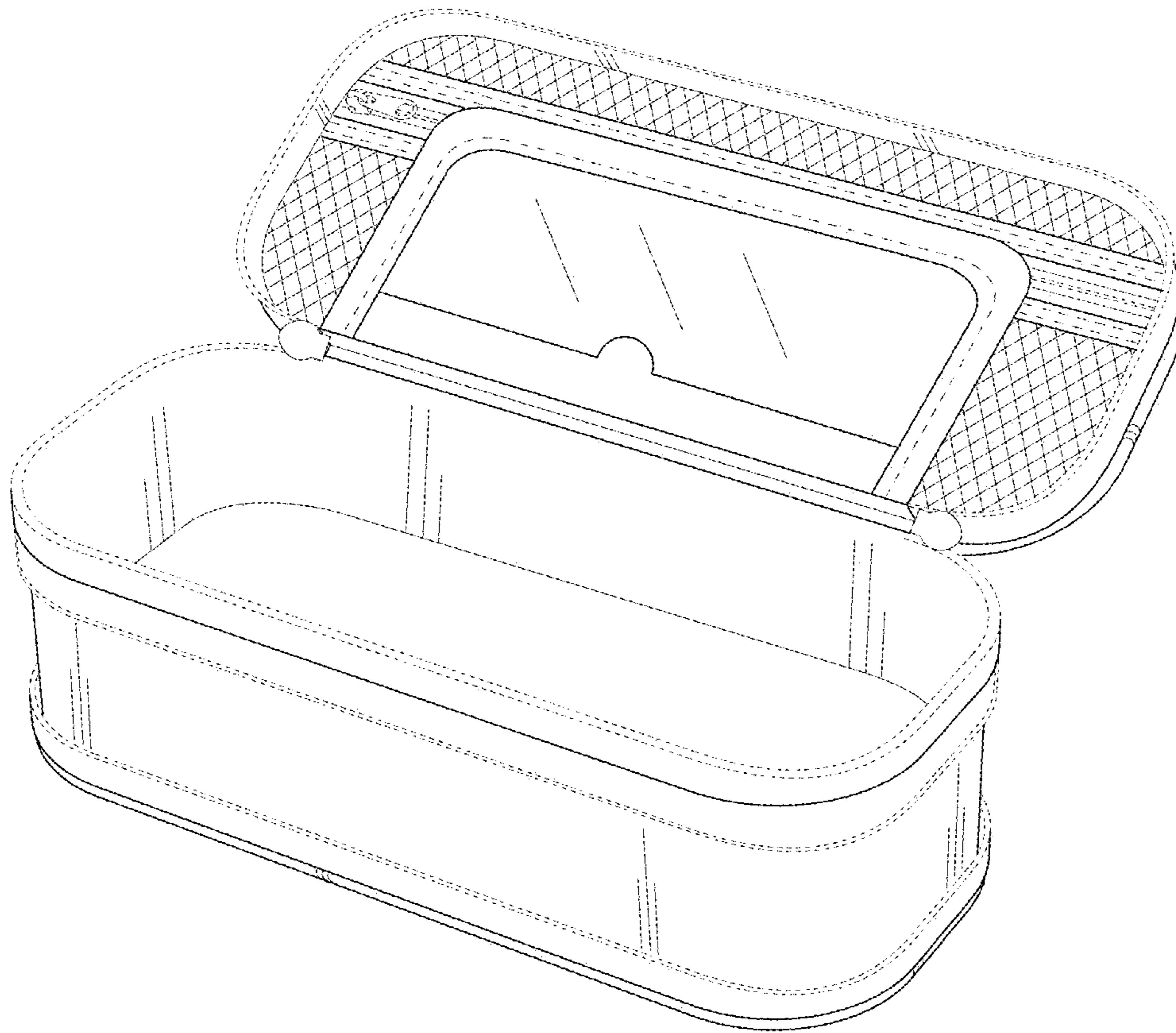


FIG.11