



US00D918572S

(12) **United States Design Patent**
Guo et al.

(10) **Patent No.:** **US D918,572 S**
(45) **Date of Patent:** **** May 11, 2021**

(54) **PILL BOX**
(71) Applicant: **ZHUHAI EKTOUCH TECHNOLOGY CO., LTD.**, Zhuhai (CN)
(72) Inventors: **Jinpeng Guo**, Zhuhai (CN); **Wei Du**, Zhuhai (CN)
(73) Assignee: **ZHUHAI EKTOUCH TECHNOLOGY CO., LTD.**, Zhuhai (CN)
(**) Term: **15 Years**

4,793,492 A * 12/1988 Halbich A45C 11/24
206/538
D304,905 S * 12/1989 Zimmerman D3/203.3
D337,725 S * 7/1993 Bunin D3/203.3
D415,958 S * 11/1999 Noble D3/203.3
D430,392 S * 9/2000 Noble D3/201
D457,819 S * 5/2002 Noble D10/40
D466,801 S * 12/2002 Holland D3/203.3
6,945,401 B2 * 9/2005 Jopling A45C 11/00
206/37
D522,742 S * 6/2006 Priebe D3/203.3
D524,537 S * 7/2006 Priebe D3/203.3
D525,777 S * 8/2006 Priebe D3/203.3
D528,782 S * 9/2006 Oas D3/203.3
D545,563 S * 7/2007 Margiotta D3/203.3
7,387,207 B2 * 6/2008 Priebe A61J 1/03
206/532

(21) Appl. No.: **29/719,644**

(Continued)

(22) Filed: **Jan. 7, 2020**

Primary Examiner — Steven J Czyz

(30) **Foreign Application Priority Data**

(57) **CLAIM**

Oct. 12, 2019 (CN) 201930554852.9

The ornamental design for a pill box, as shown and described.

(51) **LOC (13) Cl.** **03-01**

DESCRIPTION

(52) **U.S. Cl.**
USPC **D3/203.2**

(58) **Field of Classification Search**
USPC D3/201, 203.1, 203.2, 203.3, 203.4, 273, D3/295; D9/420, 421, 756, 757, 759
CPC A61J 1/00; A61J 1/03; A61J 7/04; A61J 7/0084; B65D 1/36; B65D 2583/04; B65D 83/04; B65D 83/0445; B65D 83/0481
See application file for complete search history.

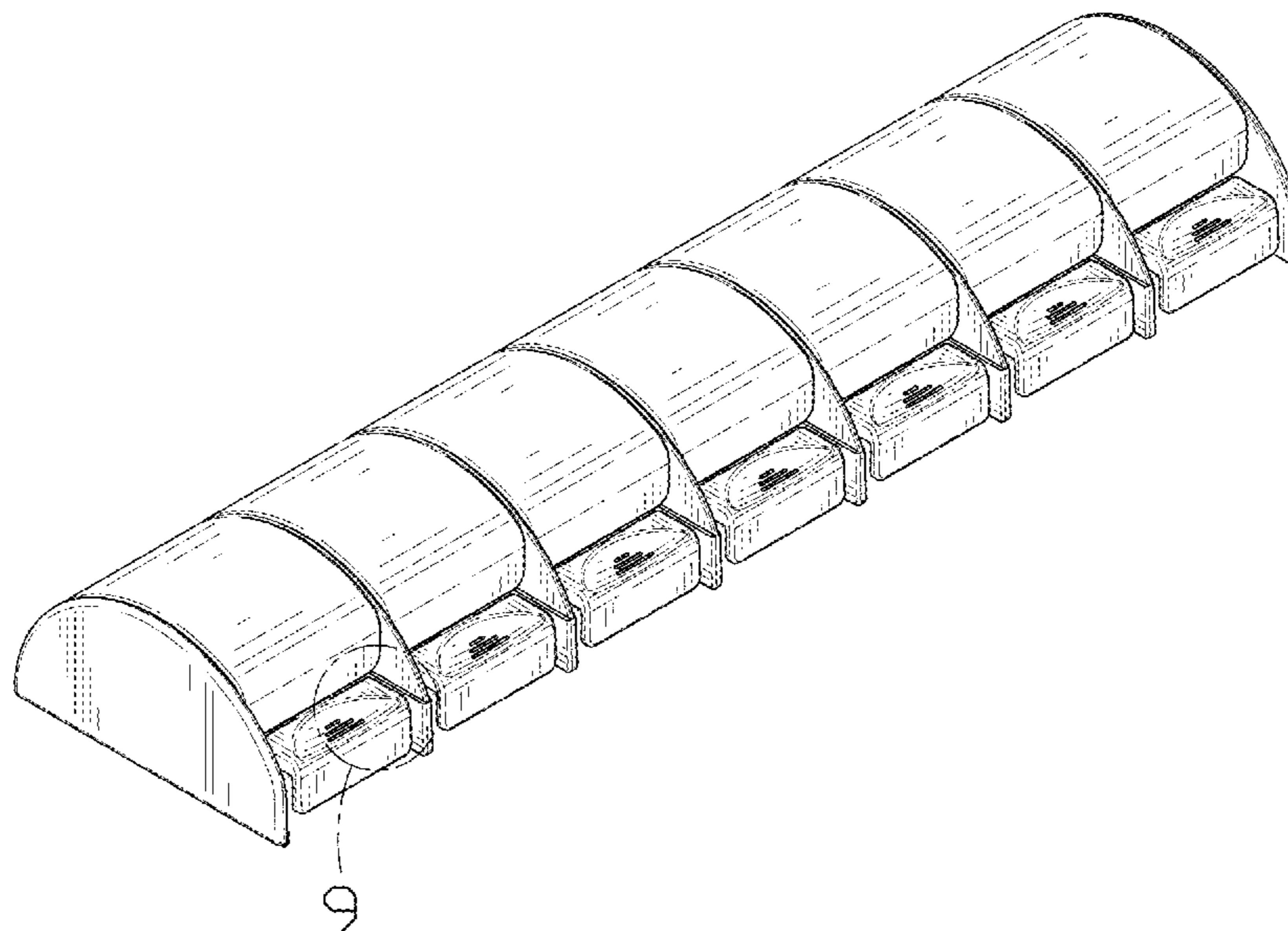
FIG. 1 is a front and bottom perspective view of a pill box, showing our new design;
FIG. 2 is another front and bottom perspective view thereof;
FIG. 3 is a front elevational view thereof;
FIG. 4 is a rear elevational view thereof;
FIG. 5 is a left side elevational view thereof;
FIG. 6 is a right side elevational view thereof;
FIG. 7 is a top plan view thereof;
FIG. 8 is a bottom plan view thereof; and,
FIG. 9 is an enlarged view of a portion indicated in FIG. 1. The broken lines in the figures illustrate portions of the pill box that form no part of the claimed design. The dash dot dash lines in FIGS. 1 and 9 are for the purpose of depicting the cut line of the enlarged view and form no part of the claim.

(56) **References Cited**

U.S. PATENT DOCUMENTS

D281,225 S * 11/1985 Leman D3/203.3
4,735,318 A * 4/1988 Keffeler A61J 1/03
206/532
D298,803 S * 12/1988 Ebling D3/203.3

1 Claim, 9 Drawing Sheets



(56)

References Cited

U.S. PATENT DOCUMENTS

7,395,929 B2 * 7/2008 Keffeler B65D 83/0445
 206/528
 D576,404 S * 9/2008 Cooper D3/203.3
 D587,005 S * 2/2009 Gardner D3/203.3
 7,494,012 B1 * 2/2009 Priebe A61J 1/03
 206/1.5
 D587,898 S * 3/2009 Cetera D3/203.2
 7,624,890 B2 * 12/2009 Noble B65D 43/162
 220/324
 D612,894 S * 3/2010 Evans D21/392
 7,793,785 B2 * 9/2010 Keffeler B65D 83/04
 206/538
 7,798,330 B2 * 9/2010 Noble B65D 83/04
 206/538
 8,174,370 B1 * 5/2012 Fulmer-Mason A61J 7/0409
 340/309.16
 8,381,911 B2 * 2/2013 Buchner B65D 83/04
 206/538
 D684,355 S * 6/2013 Priebe D3/203.3
 D686,407 S * 7/2013 Mazur D3/203.3
 D691,366 S * 10/2013 Muncy D3/203.3
 D696,007 S * 12/2013 Priebe D3/203.3
 D696,008 S * 12/2013 Priebe D3/203.3
 D696,010 S * 12/2013 Priebe D3/203.3
 D696,856 S * 1/2014 Priebe D3/203.3
 D697,303 S * 1/2014 Priebe D3/203.3
 D698,141 S * 1/2014 Priebe D3/203.3
 D698,540 S * 2/2014 Priebe D3/203.3
 D703,943 S * 5/2014 Priebe D3/203.3

D709,282 S * 7/2014 Priebe D3/203.3
 D727,011 S * 4/2015 Priebe D3/203.3
 9,161,885 B1 * 10/2015 Zhou A61J 7/0076
 D747,869 S * 1/2016 Priebe D3/203.3
 9,289,354 B2 * 3/2016 Ryan B65D 25/06
 D775,462 S * 1/2017 Noble D3/203.3
 D777,419 S * 1/2017 Noble D3/203.3
 D799,813 S * 10/2017 Wartenberg D3/203.3
 D812,368 S * 3/2018 Noble D3/203.3
 9,937,101 B2 * 4/2018 Sheu B65D 83/0481
 D831,331 S * 10/2018 Lee D3/203.3
 D833,733 S * 11/2018 Chen A45C 11/00
 D3/203.3
 10,420,703 B1 * 9/2019 Lee A61J 7/0084
 D877,489 S * 3/2020 Lee B65D 43/162
 D3/203.2
 D882,940 S * 5/2020 Am B65D 83/0481
 D3/203.3
 D882,941 S * 5/2020 Deluca A45C 11/24
 D3/203.3
 D895,958 S * 9/2020 Guo D3/203.3
 D895,959 S * 9/2020 Guo A61J 7/0409
 D3/203.3
 D897,665 S * 10/2020 Guo A61J 1/03
 D3/203.3
 D897,666 S * 10/2020 Guo D3/203.3
 D898,344 S * 10/2020 Lee D3/203.3
 D898,345 S * 10/2020 Lee D3/203.3
 D898,346 S * 10/2020 Lee B65D 83/0445
 D3/203.3
 D898,348 S * 10/2020 Guo D3/203.3

* cited by examiner

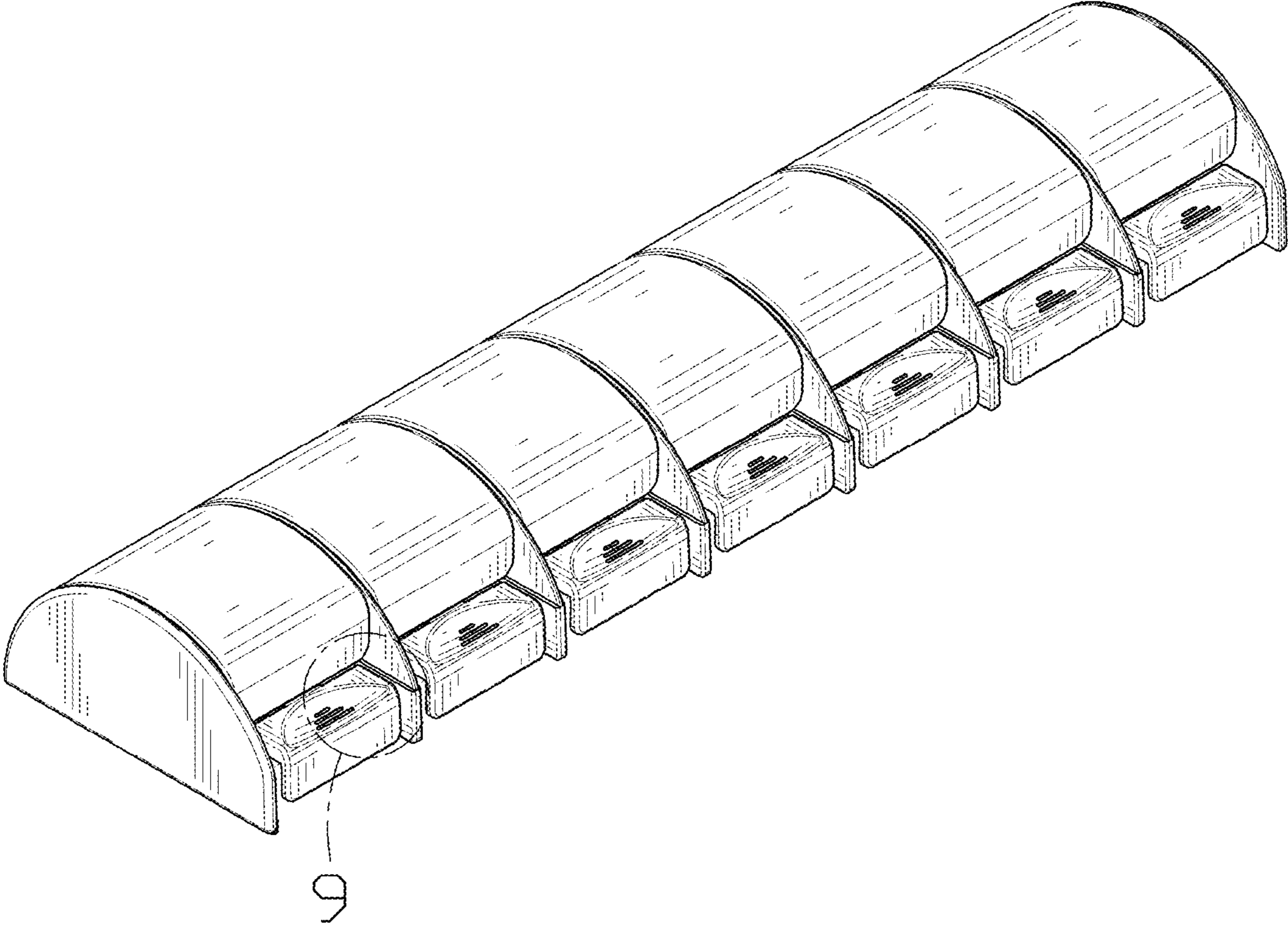


FIG. 1

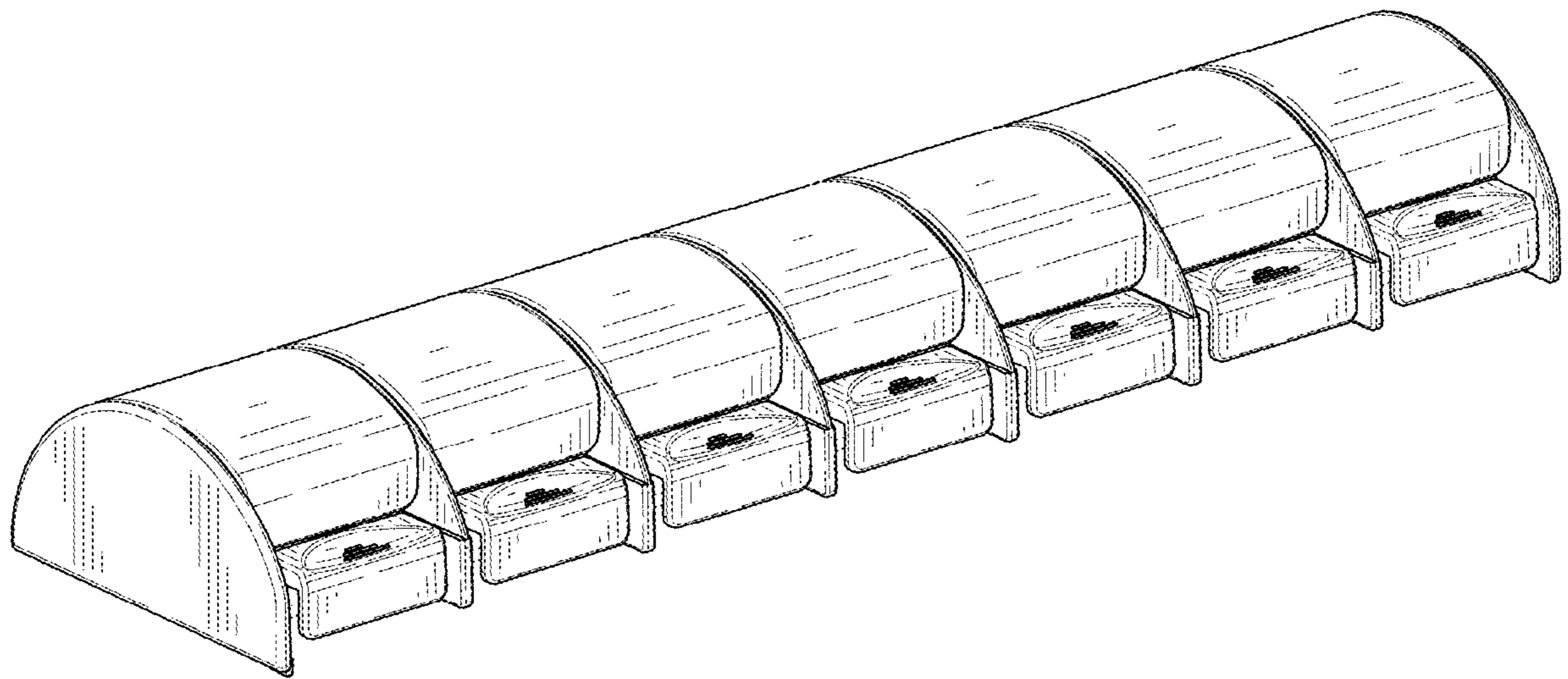


FIG. 2

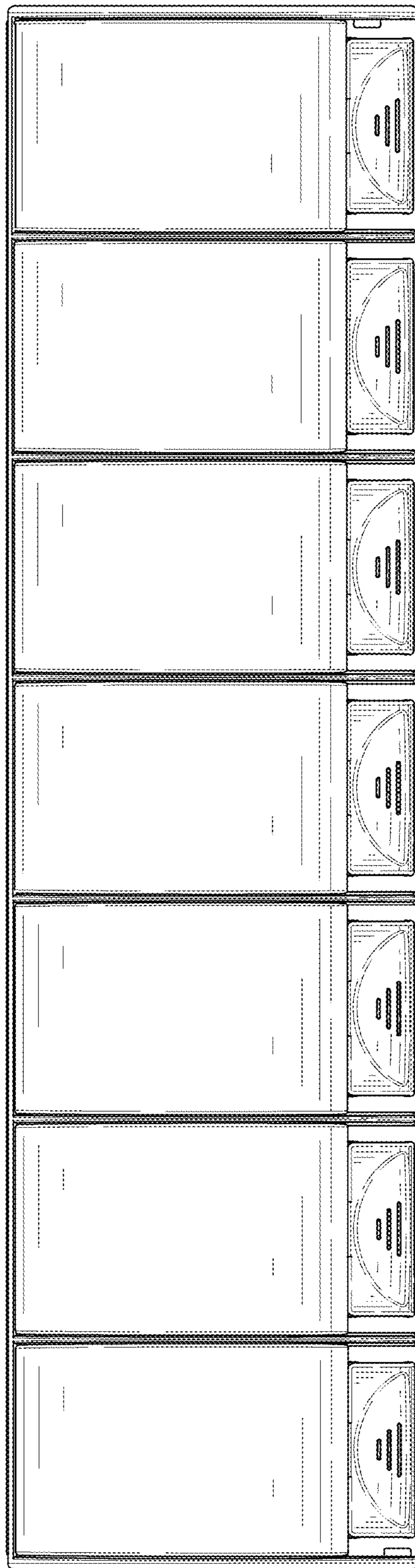


FIG. 3

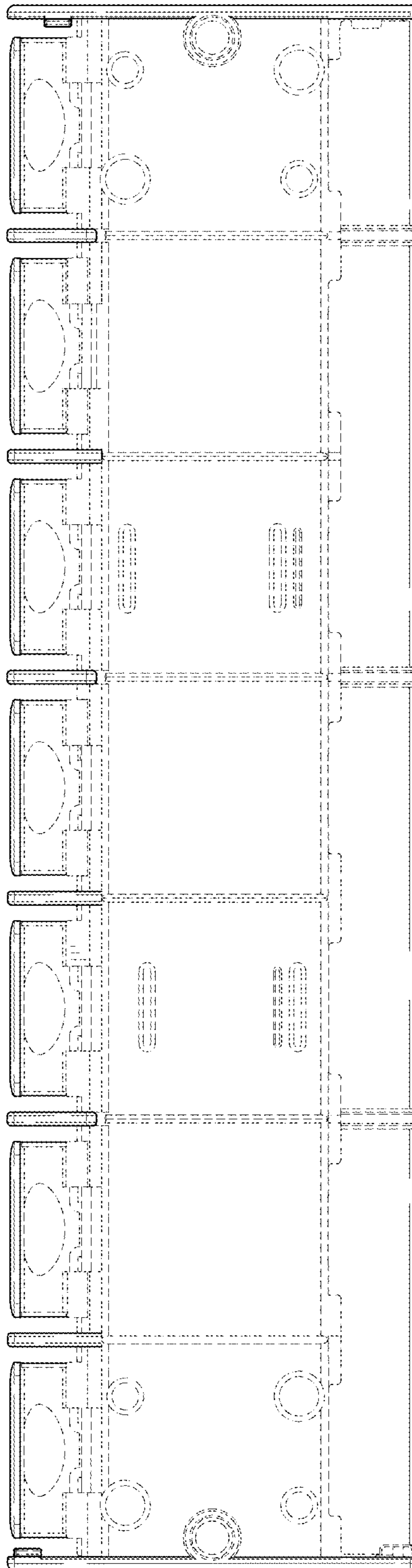


FIG. 4

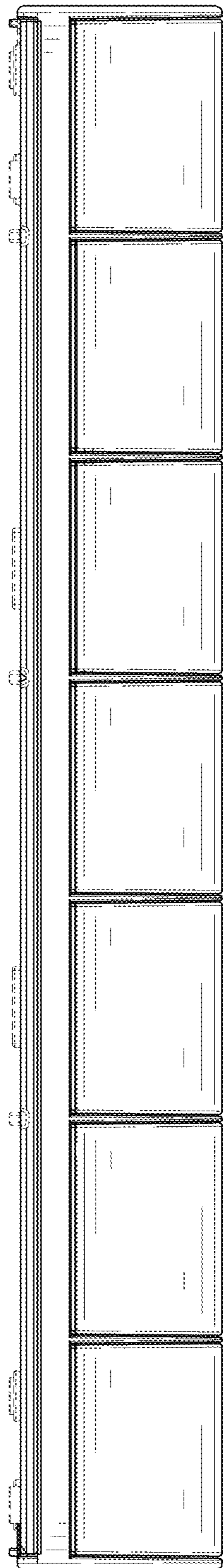


FIG. 5

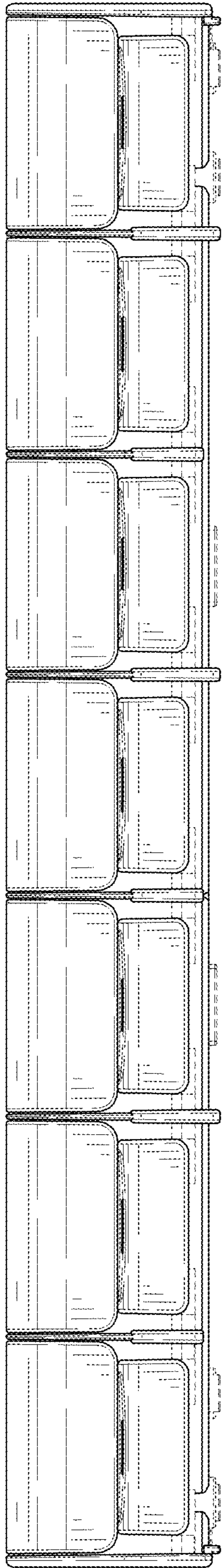


FIG. 6

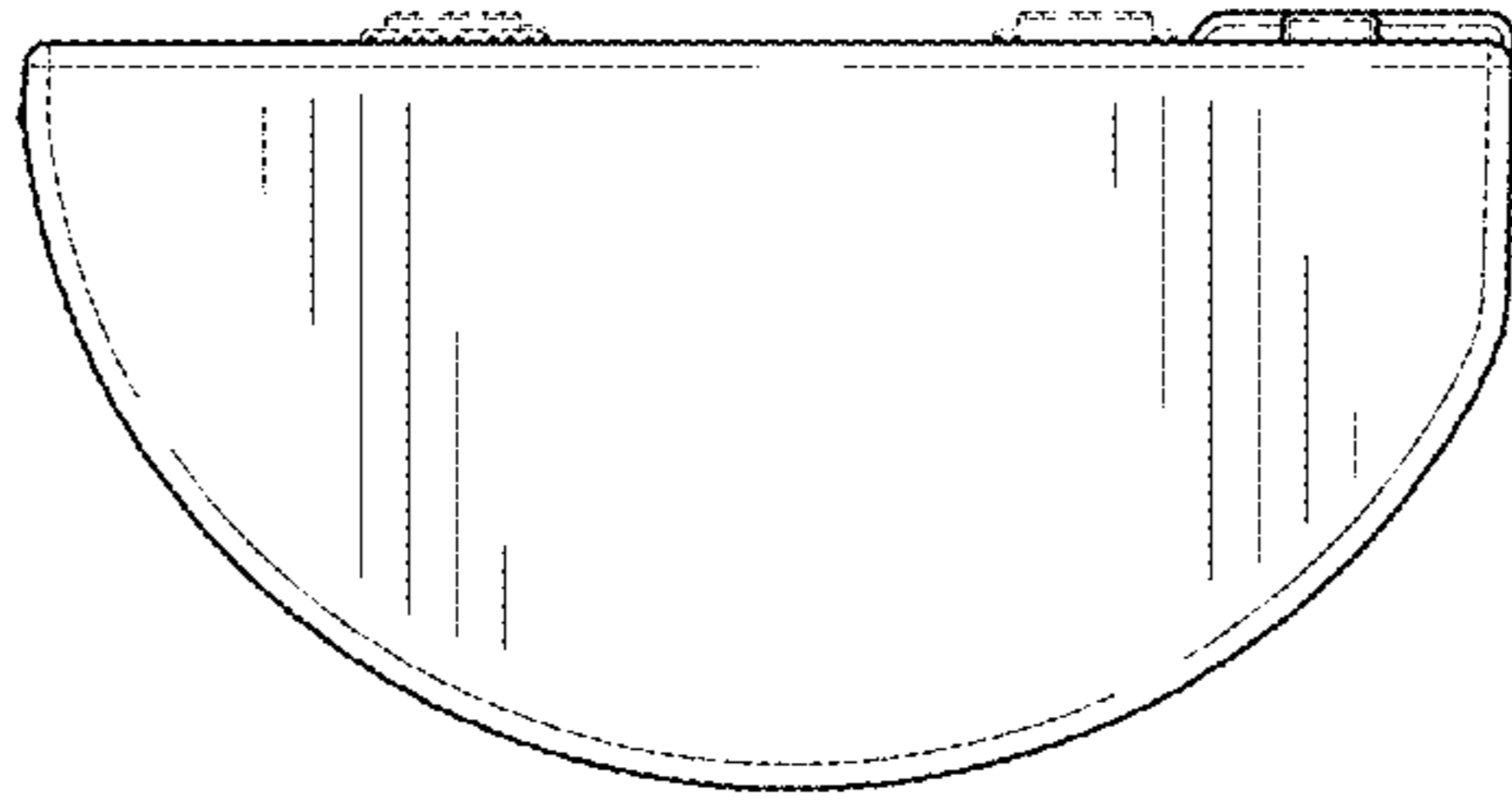


FIG. 7

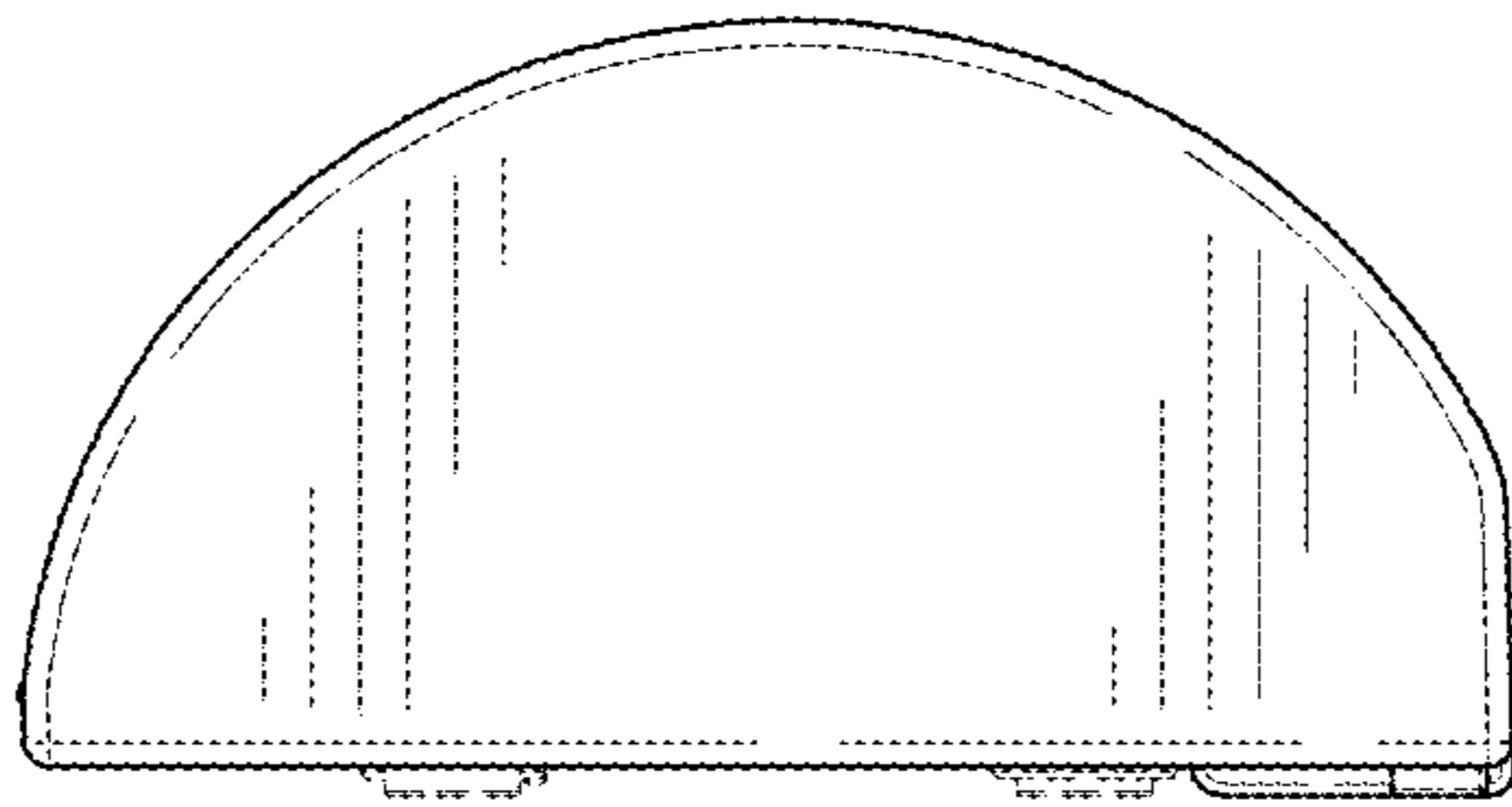


FIG. 8

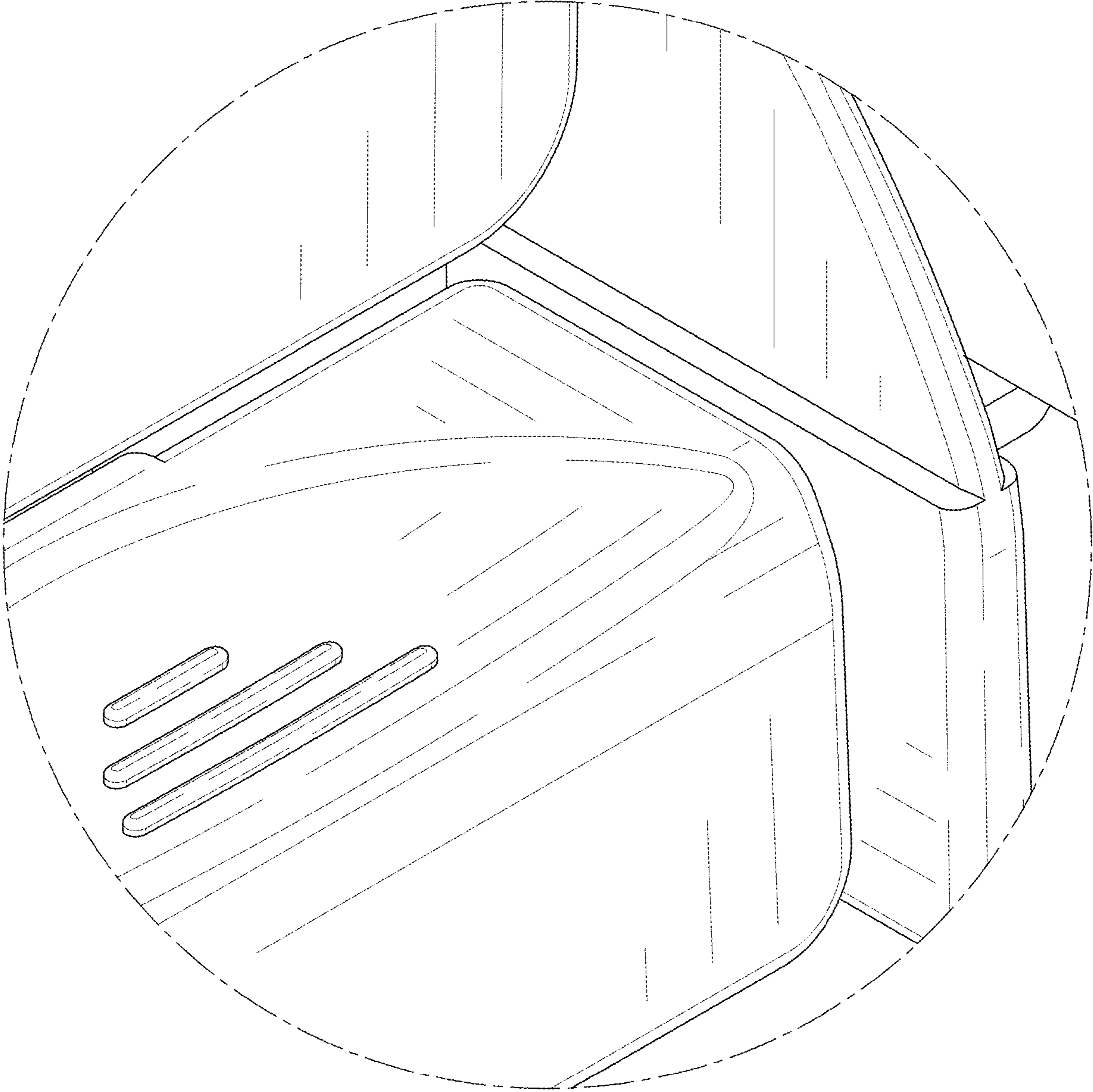


FIG. 9