



US00D918571S

(12) **United States Design Patent** (10) **Patent No.:** **US D918,571 S**
Davis (45) **Date of Patent:** **** May 11, 2021**

(54) **TOTE BAG**
(71) Applicant: **CleverMade, LLC**, Carlsbad, CA (US)
(72) Inventor: **Mark Ephraim Davis**, Carlsbad, CA (US)
(73) Assignee: **CleverMade, LLC**, Carlsbad, CA (US)
(**) Term: **15 Years**

D535,820 S * 1/2007 Kamiya D3/246
D632,074 S * 2/2011 Chan D3/232
D701,041 S * 3/2014 Burnett D3/245
D764,791 S * 8/2016 Patel D3/232
D784,010 S * 4/2017 Dumas D3/232
D802,297 S * 11/2017 Dumas D3/232
D821,094 S * 6/2018 Dragicevic D3/246
D832,571 S * 11/2018 Franklin-Daisey D3/201
D851,924 S * 6/2019 Dumas A45F 3/04
D3/232
2017/0099920 A1* 4/2017 Bailey A45C 3/001

(21) Appl. No.: **29/727,473**
(22) Filed: **Mar. 11, 2020**
(51) **LOC (13) Cl.** **03-01**
(52) **U.S. Cl.**
USPC **D3/201**
(58) **Field of Classification Search**
USPC D3/201, 210, 222, 223, 228, 229, 230,
D3/232, 233, 243, 244, 246, 257, 303,
D3/306, 902; D9/706; 383/4, 6, 16, 18;
D6/349, 610
CPC A45C 3/10; A45C 3/04; A45C 1/02; A45C
3/06
See application file for complete search history.

FOREIGN PATENT DOCUMENTS

WO WO-D068496-005 * 7/2007
WO WO-D068496-007 * 7/2007
WO WO-D068496-018 * 7/2007

* cited by examiner

Primary Examiner — Kevin K Rudzinski
Assistant Examiner — Amber J Rabie
(74) *Attorney, Agent, or Firm* — Ryan Dean; Umberg
Zipser LLP

(57) **CLAIM**

I claim the ornamental design for a tote bag, as shown and described.

(56) **References Cited**

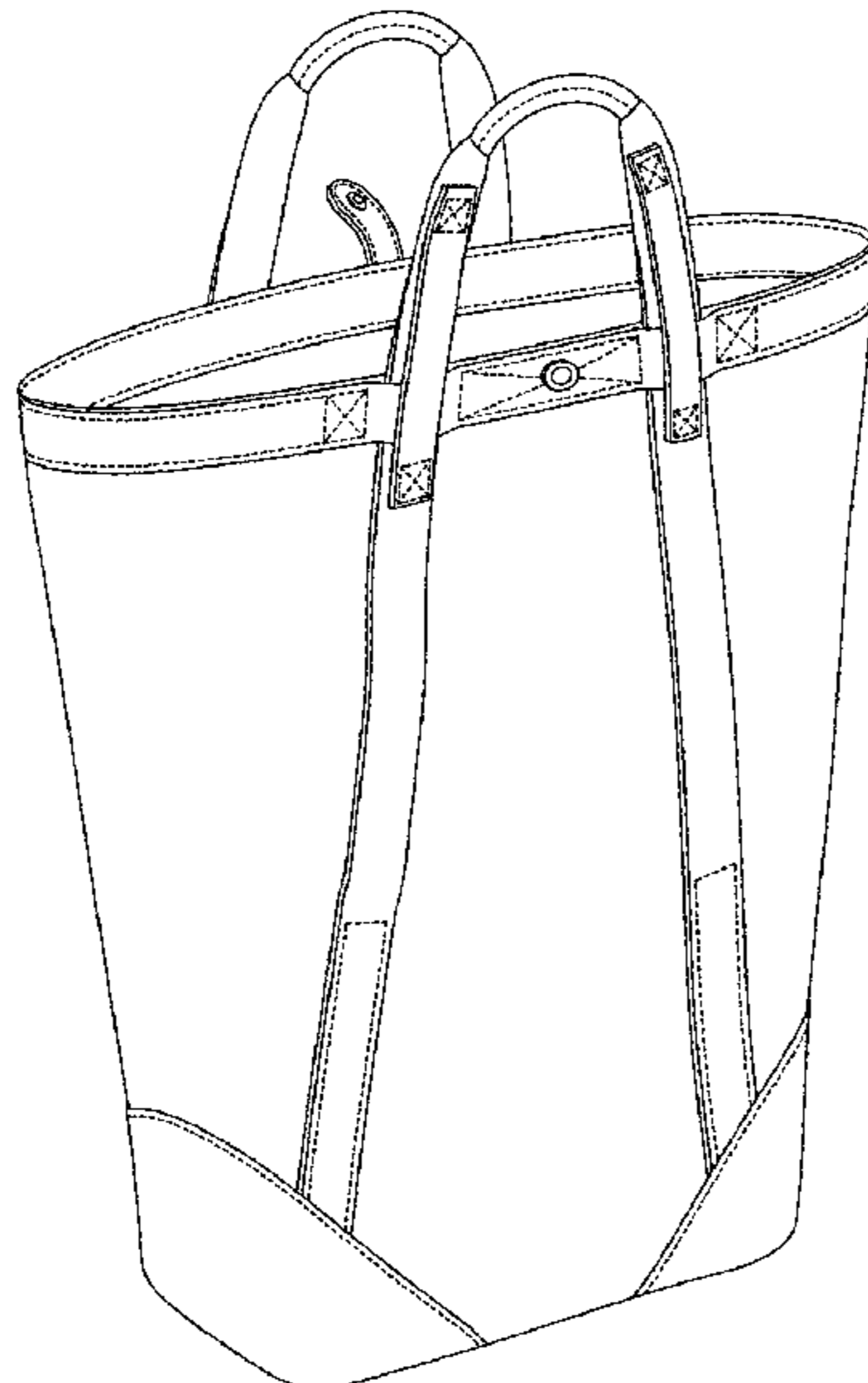
U.S. PATENT DOCUMENTS

526,566 A * 9/1894 Field B65D 33/12
383/20
3,802,613 A * 4/1974 Droeger A45F 3/04
224/153
4,062,392 A * 12/1977 Ishii A45C 3/04
383/2
D251,083 S * 2/1979 Rabinowitz A45C 3/001
D3/289
5,127,536 A * 7/1992 Cohen A45C 3/04
150/102
D331,532 S * 12/1992 Cohen 383/16
D472,388 S * 4/2003 Vazquez D3/303
D472,709 S * 4/2003 Vazquez D3/303
D491,354 S * 6/2004 Chapelier D3/246

DESCRIPTION

FIG. 1 is a perspective view of a tote bag.
FIG. 2 is a perspective view of the tote bag with the straps in a second position.
FIG. 3 is a front elevation view of the tote bag.
FIG. 4 is a back elevation view of the tote bag.
FIG. 5 is a left side elevation view of the tote bag.
FIG. 6 is a right side elevation view of the tote bag.
FIG. 7 is a top plan view of the tote bag; and,
FIG. 8 is a bottom plan view of the tote bag.
The broken lines shown in the drawings represent portions of the tote bag that form no part of the claimed design.

1 Claim, 8 Drawing Sheets



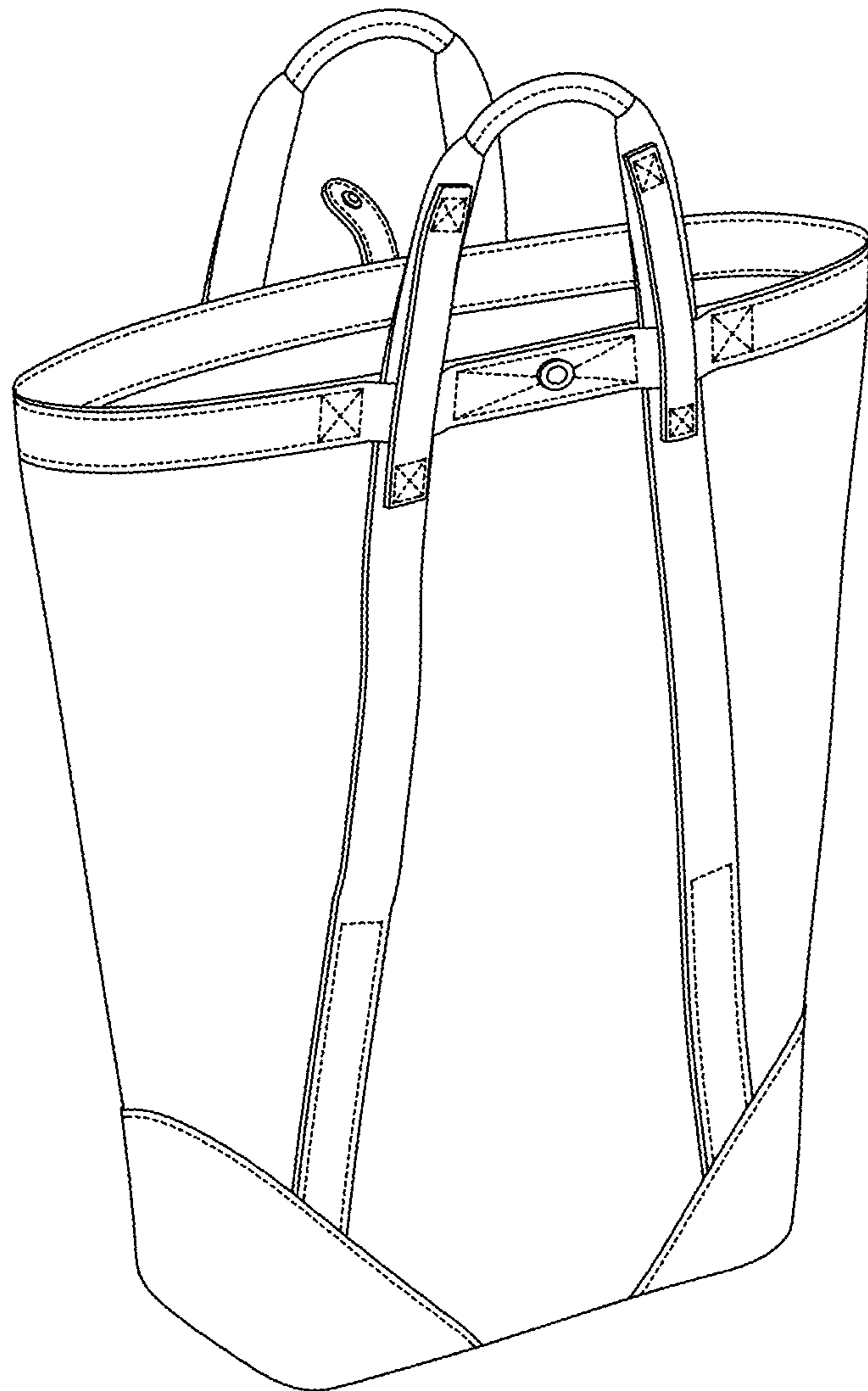


FIG. 1

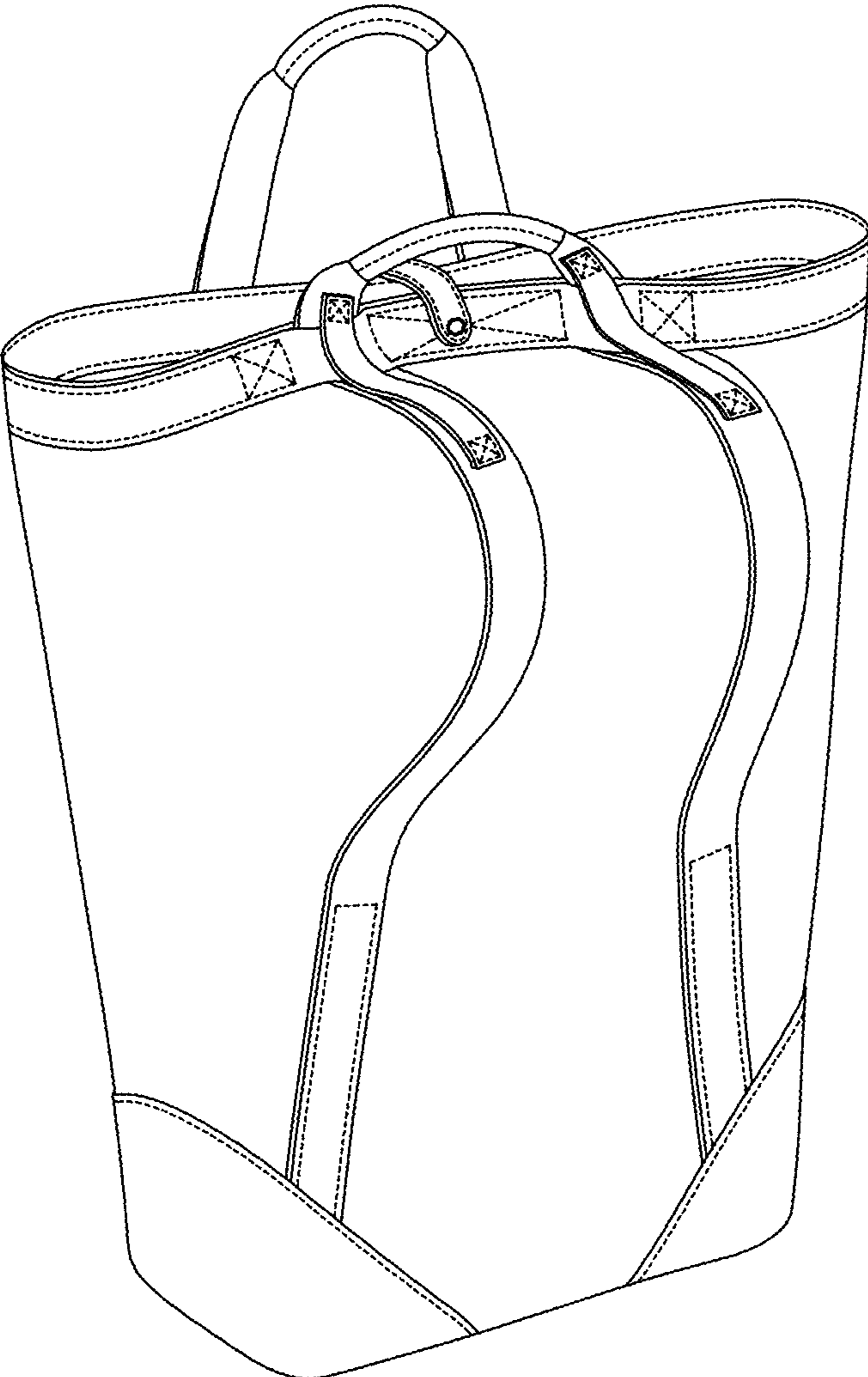


FIG. 2

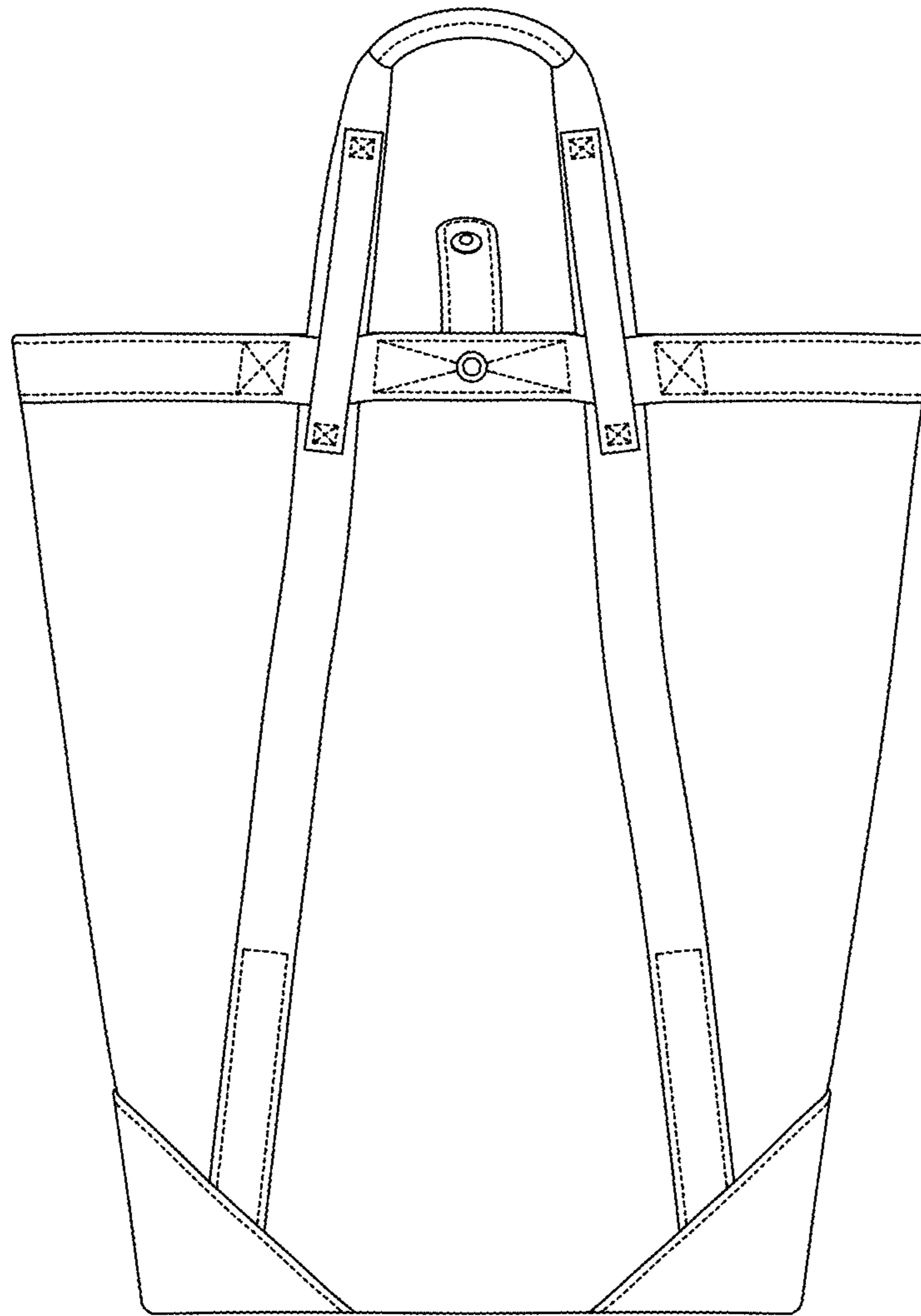


FIG. 3

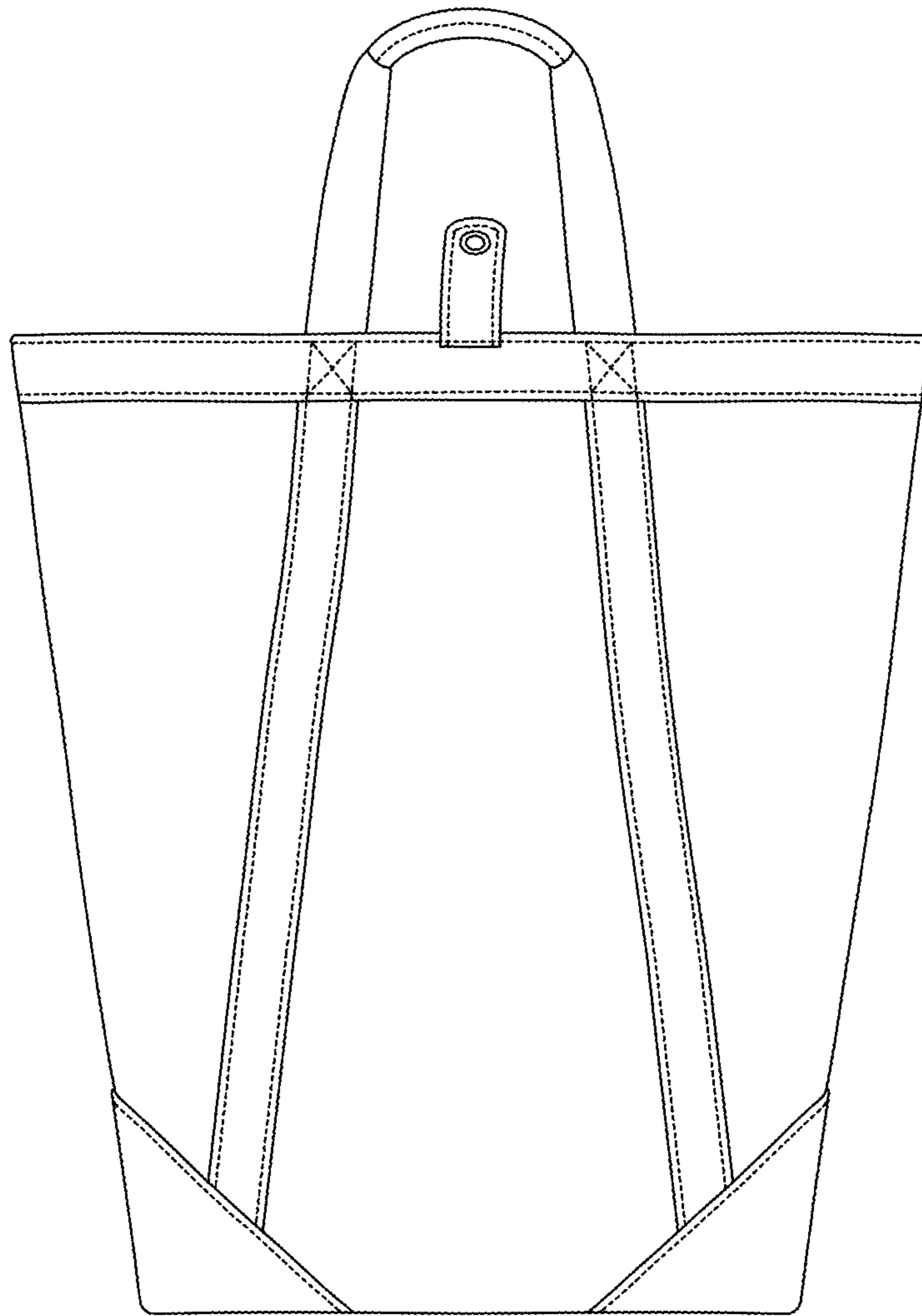


FIG. 4

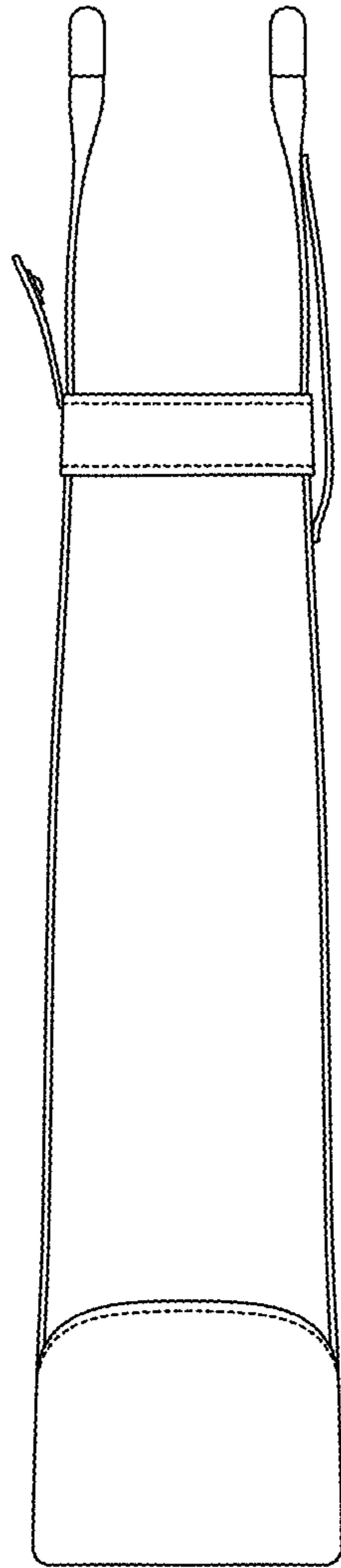


FIG. 5

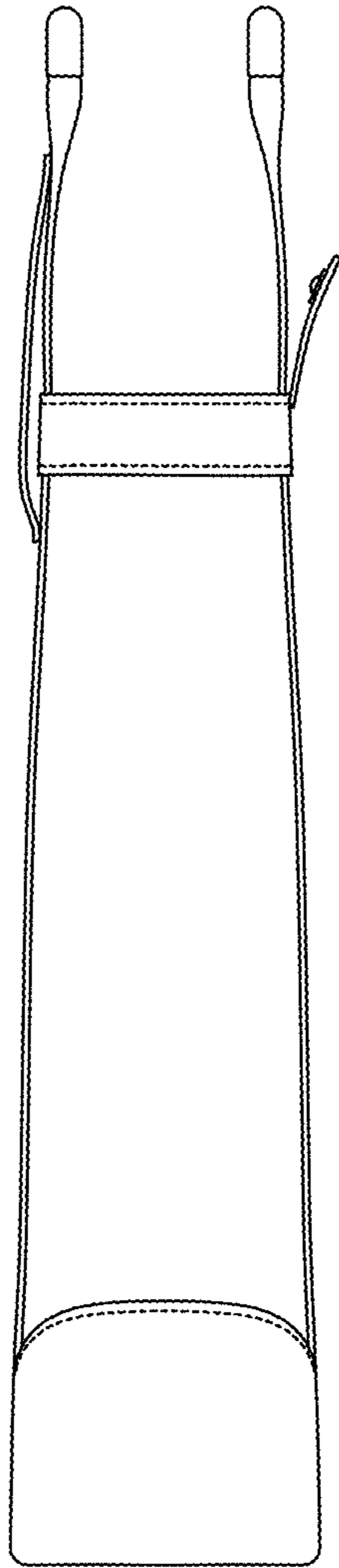


FIG. 6

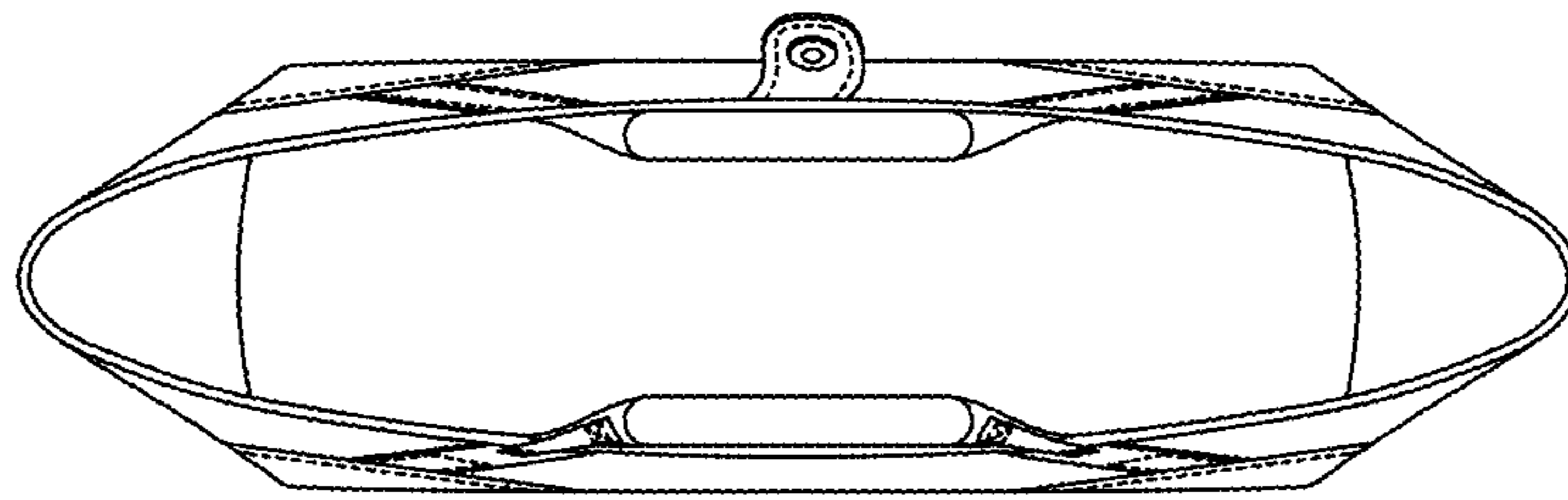


FIG. 7

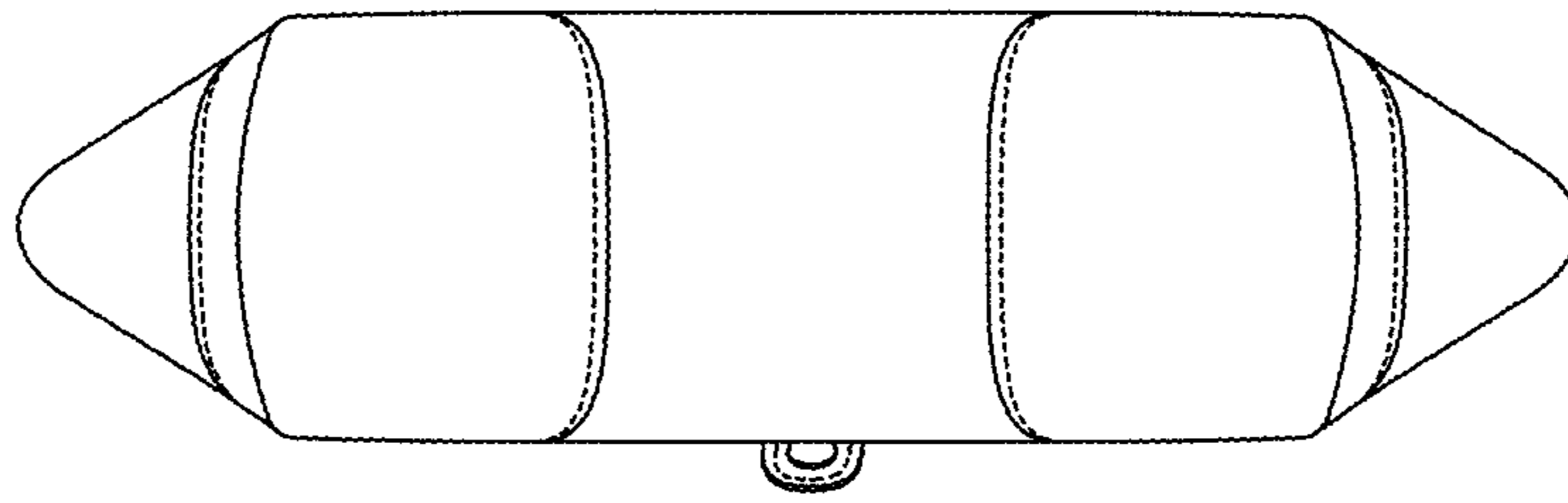


FIG. 8