



US00D918569S

(12) **United States Design Patent** (10) **Patent No.:** **US D918,569 S**
Clearman et al. (45) **Date of Patent:** **** May 11, 2021**

(54) **EARPLUG CASE** 5,623,980 A * 4/1997 McMahon A45C 1/02
150/150
(71) Applicant: **Clearman Labs LLC**, Boulder, CO D434,557 S * 12/2000 Vercelli D3/201
(US) D474,886 S * 5/2003 Fleming D3/203.1
D486,638 S * 2/2004 Menceles D3/201
(72) Inventors: **Christopher Aaron Clearman**, D507,870 S * 8/2005 Anderton D3/215
Boulder, CO (US); **Jaime Lynn Caso**, D524,037 S * 7/2006 Van Horn D3/203.1
Boulder, CO (US) D525,025 S * 7/2006 Van Horn D3/203.1
D540,539 S * 4/2007 Gutierrez A45C 1/02
D14/484.1

(73) Assignee: **Clearman Labs LLC**, Boulder, CO
(US)

(Continued)

(**) Term: **15 Years**

(21) Appl. No.: **29/637,497**

(22) Filed: **Feb. 19, 2018**

(51) **LOC (13) Cl.** **03-01**

(52) **U.S. Cl.**
USPC **D3/201**

(58) **Field of Classification Search**
USPC D3/201, 203.1, 203.2, 207, 212, 215,
D3/218, 303
CPC ... A45C 11/00; A45C 2011/007; A45C 3/001;
A45C 13/10; A45F 5/00; A45F 5/02;
B65D 2585/56; Y10S 150/90
See application file for complete search history.

(56) **References Cited**

U.S. PATENT DOCUMENTS

2,125,354 A * 8/1938 Meier A45C 1/02
383/43
RE24,166 E * 6/1956 Stiller et al. A45C 1/02
150/150
3,063,487 A * 11/1962 Mullin A45C 1/02
150/150
4,626,457 A * 12/1986 Willie A45C 1/02
150/137
5,167,346 A * 12/1992 Bodziak B42D 5/005
221/185
5,193,226 A * 3/1993 Mortenson A42B 3/0406
2/422

OTHER PUBLICATIONS

Matador Earplug Case, amazon.com, <https://www.amazon.com/Matador-TRAVEL-EARPLUGS-Earplugs-Black/dp/B07BVRJ3J6>
(Year: 2020).*

Primary Examiner — Steven J Czyz

(74) *Attorney, Agent, or Firm* — Wilson Patent Law, LLC

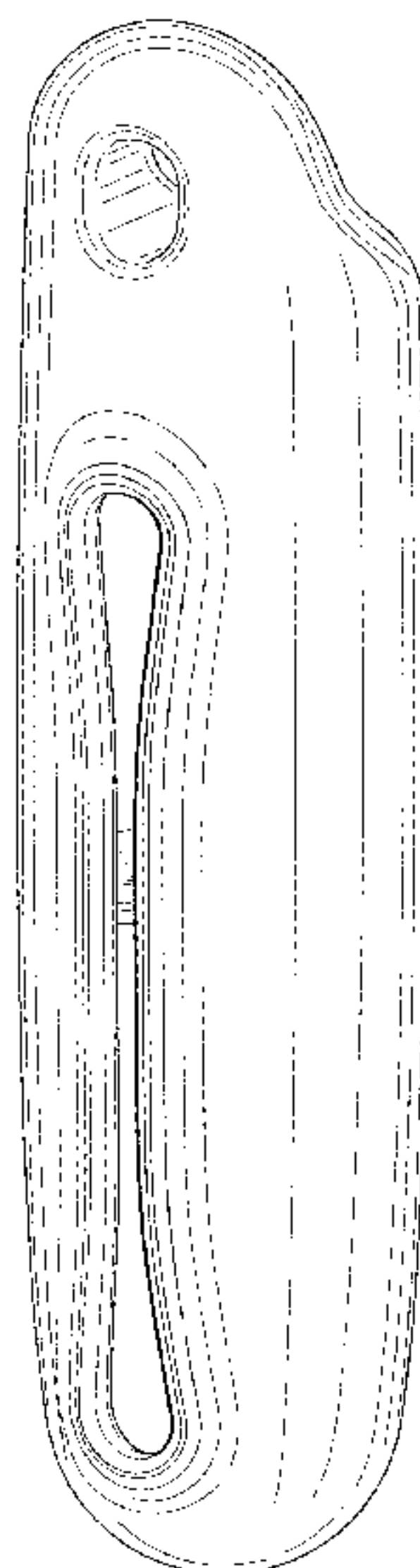
(57) **CLAIM**

The ornamental design for an earplug case, substantially as shown and described.

DESCRIPTION

FIG. 1 is a front perspective view of an earplug case in accordance with our new design;
FIG. 2 is a back perspective view thereof;
FIG. 3 is a front view thereof;
FIG. 4 is a back view thereof;
FIG. 5 is a right side view thereof, a left side view being a mirror image;
FIG. 6 is a top view thereof;
FIG. 7 is a bottom view thereof;
FIG. 8 is a cross section view taken along the line of 8-8 from FIG. 3 thereof; and,
FIG. 9 is a cross section view taken along the line of 9-9 from FIG. 3 thereof.
The broken lines depict portions of the article that form no part of the claimed design.

1 Claim, 8 Drawing Sheets



(56)

References Cited

U.S. PATENT DOCUMENTS

D564,214	S *	3/2008	Huang	D3/201
D598,643	S *	8/2009	Lown	D3/201
D631,483	S *	1/2011	Nelson	D14/484.1
8,012,523	B2 *	9/2011	Voss	A47J 31/0689
					426/433
D664,352	S *	7/2012	Shamoon	D3/226
D709,787	S *	7/2014	Rummonds	D11/2
D792,097	S *	7/2017	Bedford	D3/303
9,814,300	B2 *	11/2017	Webster	A45F 5/02
D809,285	S *	2/2018	Sola	D3/202
10,315,122	B2 *	6/2019	Bedford	A63H 3/36
D872,612	S *	1/2020	Mercurio	D11/3
D872,723	S *	1/2020	Lee	D14/250
D874,826	S *	2/2020	Zhang	D3/303
D881,867	S *	4/2020	Lee	A45C 1/02
					D14/250
D886,093	S *	6/2020	Dubanowich	D14/253
D886,195	S *	6/2020	Lin	D20/22
D888,039	S *	6/2020	Wright	D14/250
D893,166	S *	8/2020	Lu	A45C 1/02
					D3/201

* cited by examiner

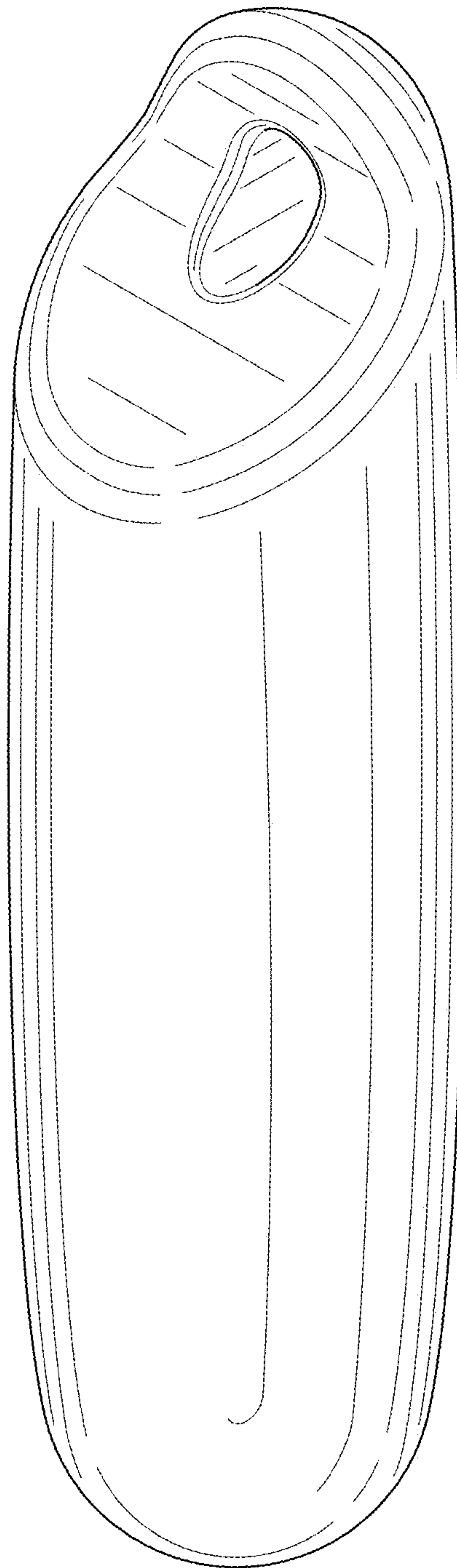


FIG.1



FIG.2

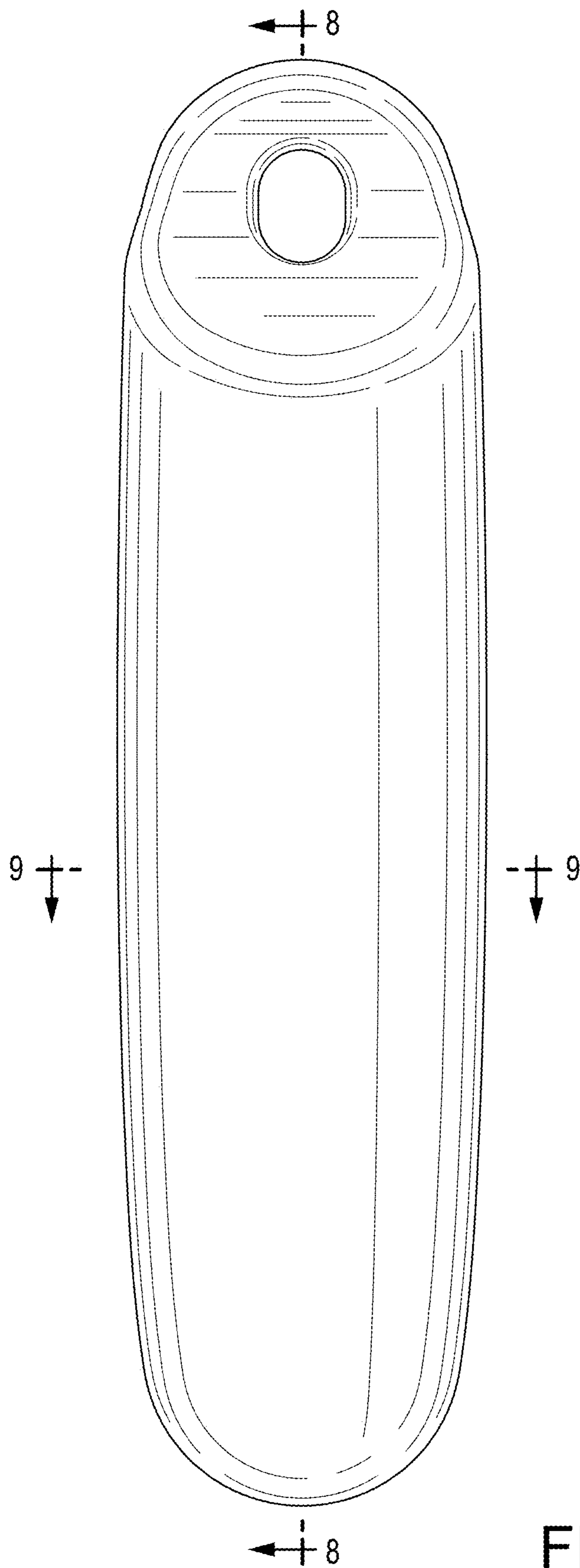


FIG.3

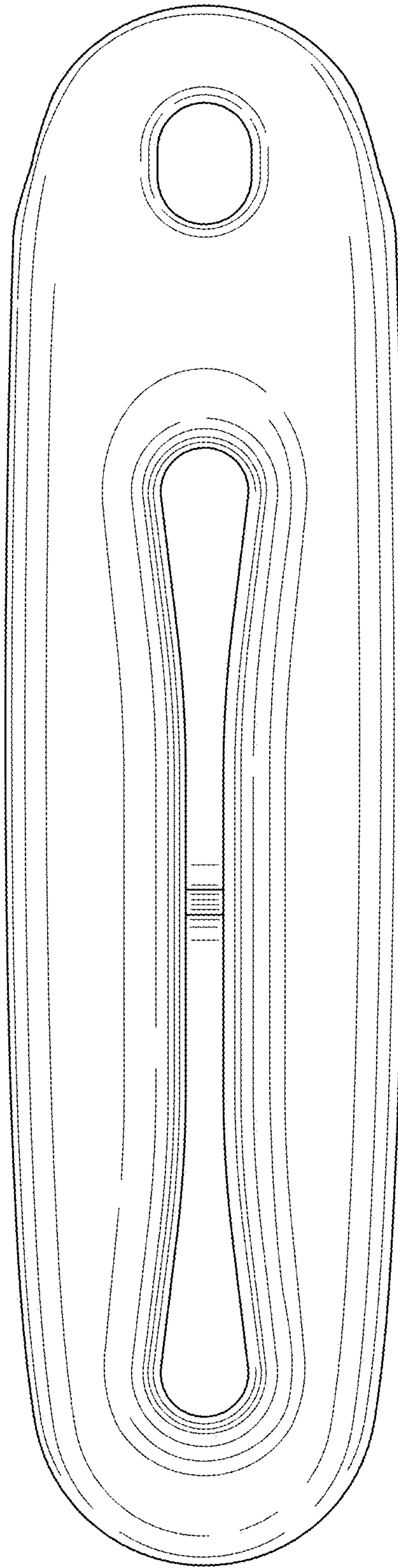


FIG.4

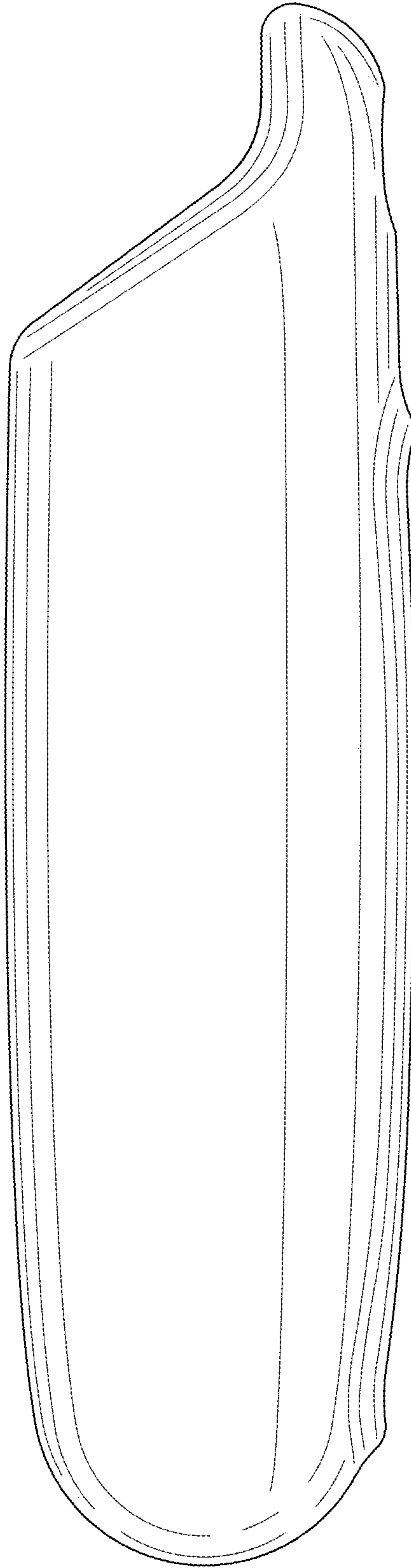


FIG.5

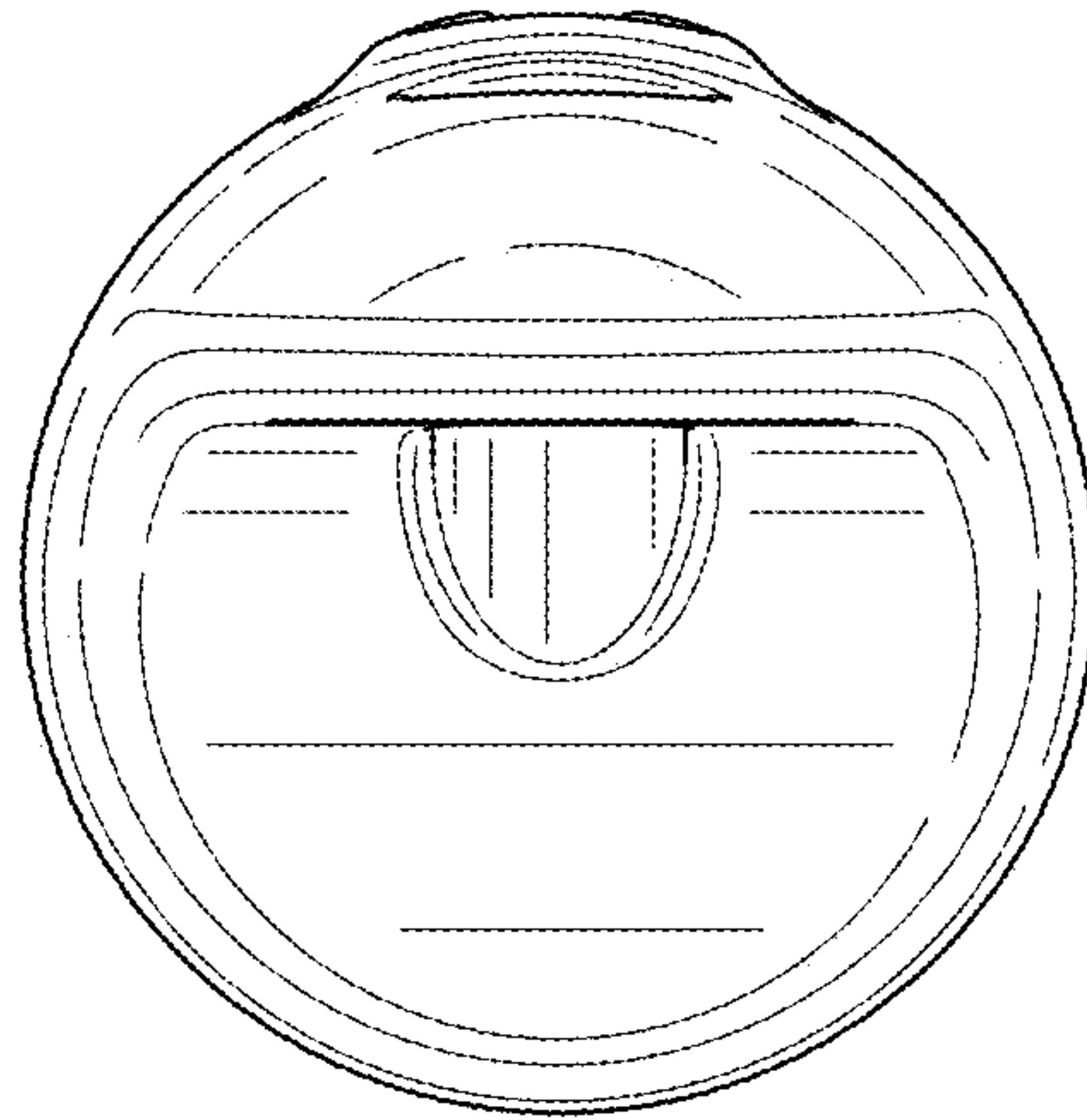


FIG. 6

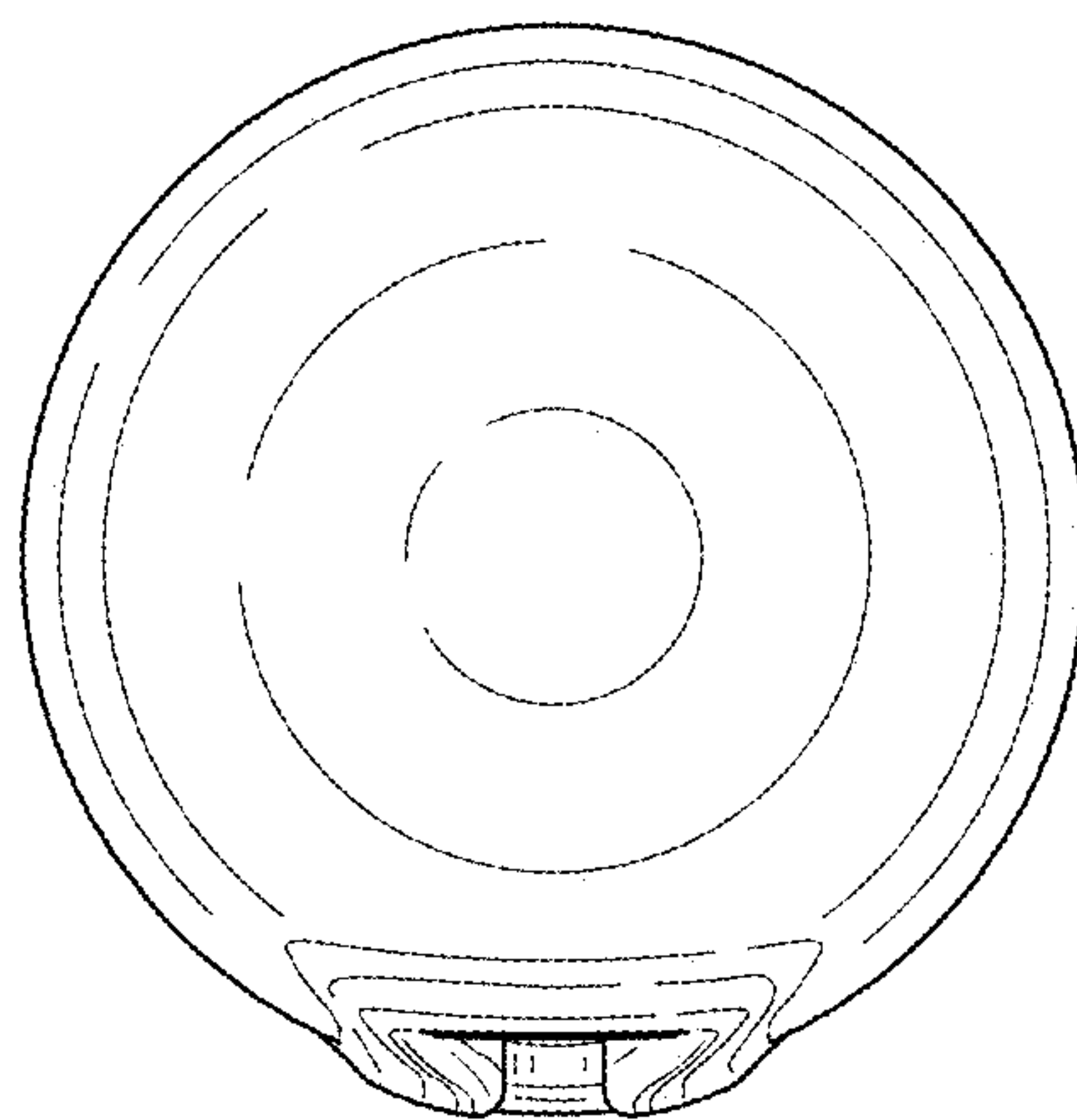


FIG. 7

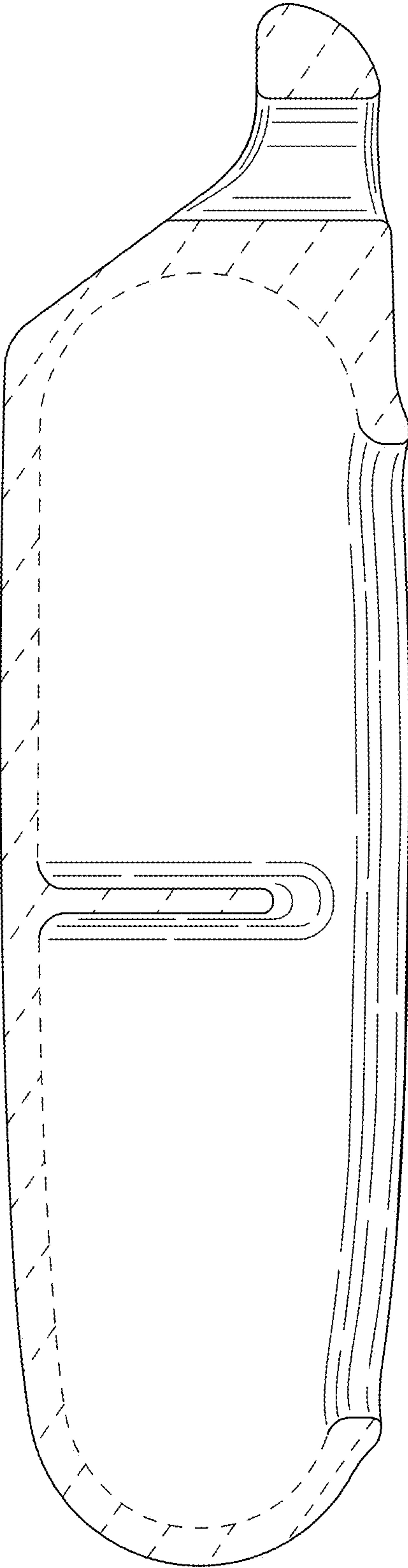


FIG.8

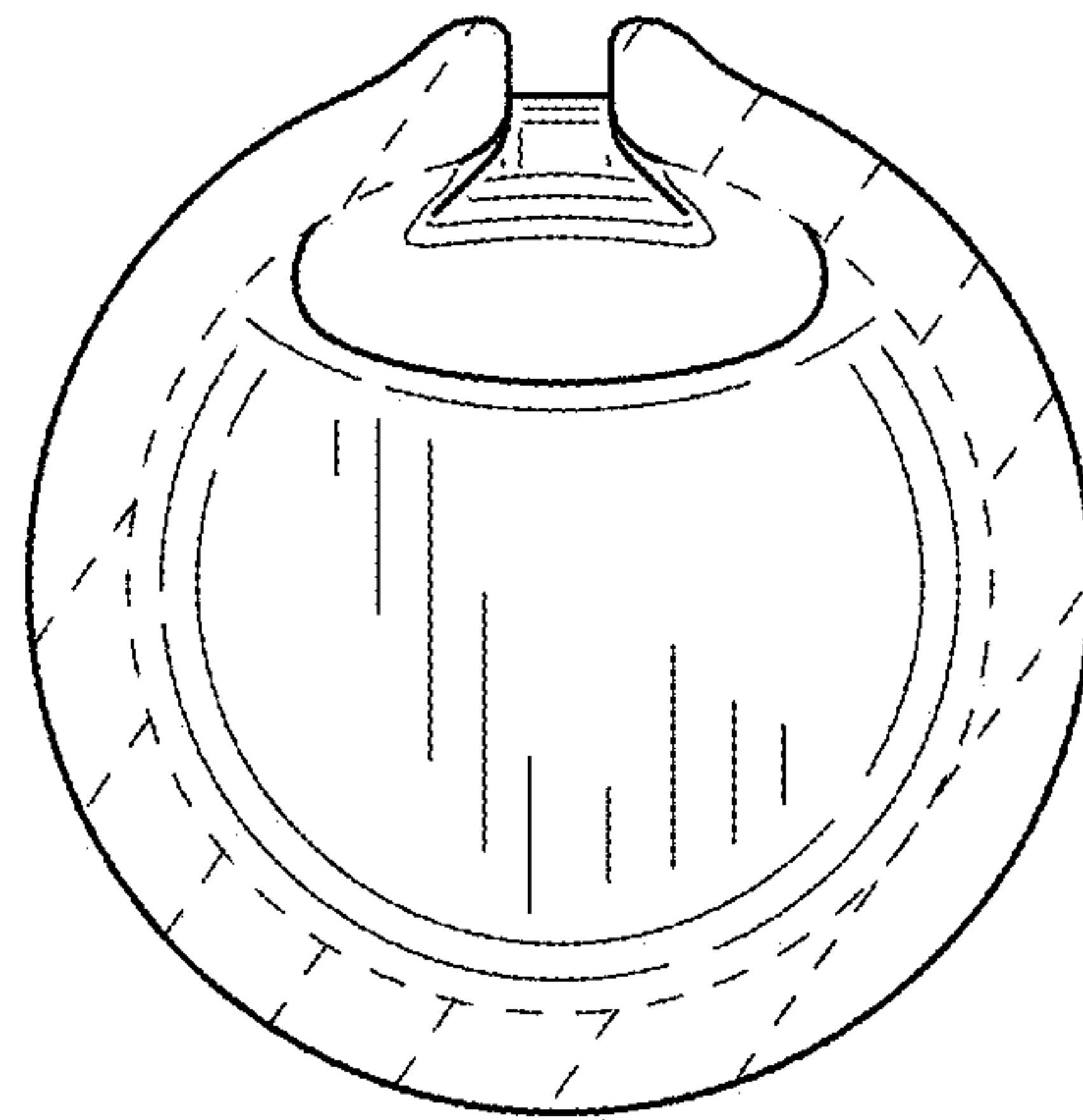


FIG.9