



US00D918544S

(12) **United States Design Patent**
Tran et al.

(10) **Patent No.:** **US D918,544 S**

(45) **Date of Patent:** **** May 11, 2021**

(54) **SHOE**

(71) Applicant: **uFaktory Oy**, Helsinki (FI)

(72) Inventors: **Khanh Bao Tran**, Helsinki (FI); **Son Hoang Chu**, Helsinki (FI)

(73) Assignee: **uFaktory Oy**, Helsinki (FI)

(**) Term: **15 Years**

(21) Appl. No.: **29/696,371**

(22) Filed: **Jun. 27, 2019**

(51) **LOC (13) Cl.** **02-04**

(52) **U.S. Cl.**
USPC **D2/947; D2/960**

(58) **Field of Classification Search**
USPC D2/902, 906, 908, 916, 918, 925,
D2/946-962, 972, 977; 36/3 B, 22 R,
36/24.5, 25 R, 28, 32 R, 34 R, 59 C,
36/67 A, 103

CPC A43B 13/00; A43B 13/02; A43B 13/023;
A43B 13/026; A43B 13/04; A43B 13/08;
A43B 13/10; A43B 13/12; A43B 13/14;
A43B 13/141; A43B 13/143; A43B
13/16; A43B 13/18; A43B 13/181; A43B
13/187; A43B 13/189; A43B 13/20; A43B
13/22; A43B 13/223; A43B 13/24; A43B
13/28; A43B 13/30; A43B 13/32; A43B
13/34; A43B 13/36

See application file for complete search history.

(56) **References Cited**

U.S. PATENT DOCUMENTS

D170,782 S * 11/1953 Wegner D2/919
D299,982 S * 2/1989 Tong D2/972
D336,767 S * 6/1993 Hatfield D2/969
D428,688 S * 8/2000 Egelja D2/951
D429,062 S * 8/2000 Santa D2/954

D437,474 S * 2/2001 Agnew D2/902
D438,368 S * 3/2001 Akhidime D2/947
D450,180 S * 11/2001 Matis D2/903
D501,070 S * 1/2005 Belley D2/969
D502,309 S * 3/2005 Belley D2/969
D541,015 S * 4/2007 Diaz D2/946
D566,948 S * 4/2008 Belley D2/969
D600,434 S * 9/2009 Weber D2/969
D673,765 S * 1/2013 Parker D2/972
D775,806 S * 1/2017 Martin D2/972
D776,416 S * 1/2017 Gerig D2/972
D776,418 S * 1/2017 Martin D2/973
D778,571 S * 2/2017 Gerig D2/972
D778,573 S * 2/2017 Gerig D2/972
D794,301 S * 8/2017 Raasch D2/969
D801,664 S * 11/2017 Small D2/969
D810,412 S * 2/2018 Frantz D2/969
D820,578 S * 6/2018 Engel D2/972
D824,645 S * 8/2018 Gibson D2/947

(Continued)

Primary Examiner — T Chase Nelson

(74) *Attorney, Agent, or Firm* — Wolf, Greenfield & Sacks, P.C.

(57) **CLAIM**

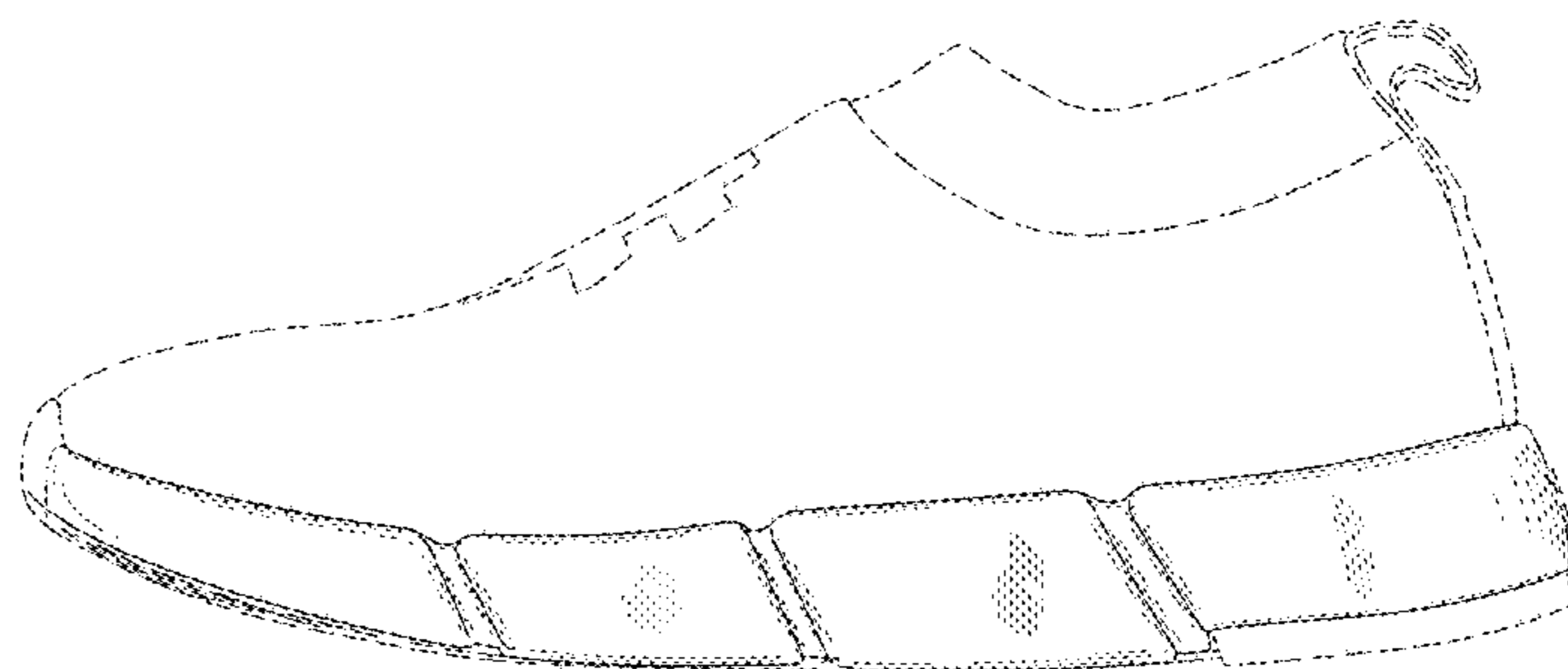
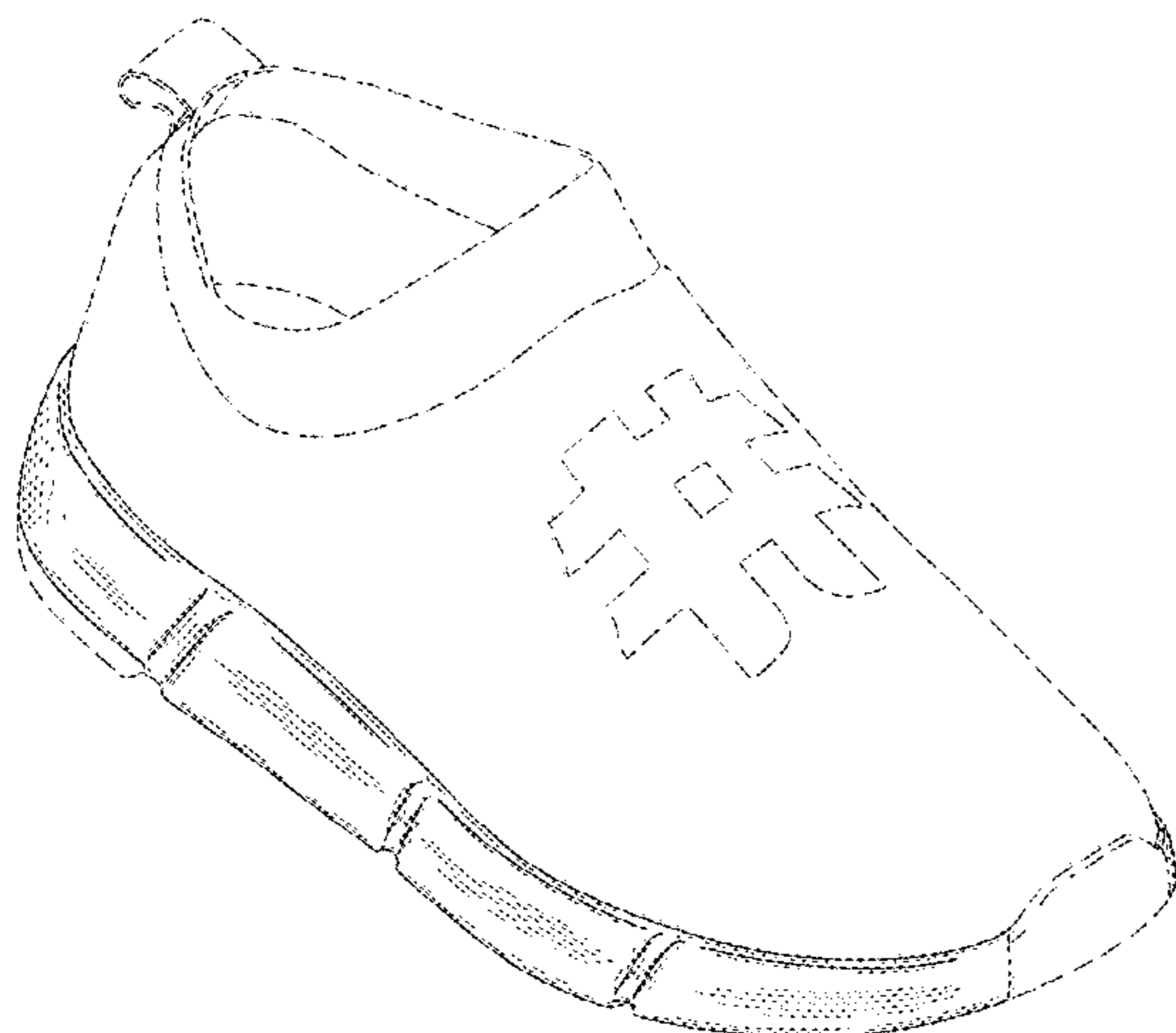
The ornamental design for a shoe, as shown and described.

DESCRIPTION

FIG. 1 is a top, front and left side perspective view of a shoe showing our new design;
FIG. 2 is a left side elevation view thereof;
FIG. 3 is a rear elevation view thereof;
FIG. 4 is a front elevation view thereof;
FIG. 5 is a right side elevation view thereof;
FIG. 6 is a top plan view thereof; and,
FIG. 7 is a bottom plan view thereof.

The dash-dash broken lines illustrate portions of the shoe that form no part of the claimed design. The dot-dash broken lines represent boundaries of the claimed design and form no part of the claimed design.

1 Claim, 6 Drawing Sheets



(56)

References Cited

U.S. PATENT DOCUMENTS

D836,316	S *	12/2018	Petrie	D2/972
D838,096	S *	1/2019	Chang	D2/972
D843,698	S *	3/2019	Schultze	D2/947
D850,067	S *	6/2019	Nakamura	D2/947
D851,377	S *	6/2019	Caruso	D2/969
D858,045	S *	9/2019	Tæstensen	D2/908
D858,056	S *	9/2019	Tæstensen	D2/951
D868,443	S *	12/2019	Lee	D2/971
D874,119	S *	2/2020	Howe	D2/969
D882,229	S *	4/2020	Bembury	D2/956
D882,911	S *	5/2020	Zhang	D2/910
D891,055	S *	7/2020	Martin	D2/947
D897,075	S *	9/2020	Vella	D2/947
10,765,170	B2 *	9/2020	Langvin	A43B 13/22
2004/0098881	A1 *	5/2004	Flavio	A43B 7/141
				36/25 R
2004/0148804	A1 *	8/2004	Romano	A43B 3/26
				36/103
2007/0006489	A1 *	1/2007	Case, Jr.	A43B 5/06
				36/132
2015/0324751	A1 *	11/2015	Orenstein	G16H 20/30
				702/3
2020/0245726	A1 *	8/2020	Hartmann	A43B 1/04

* cited by examiner

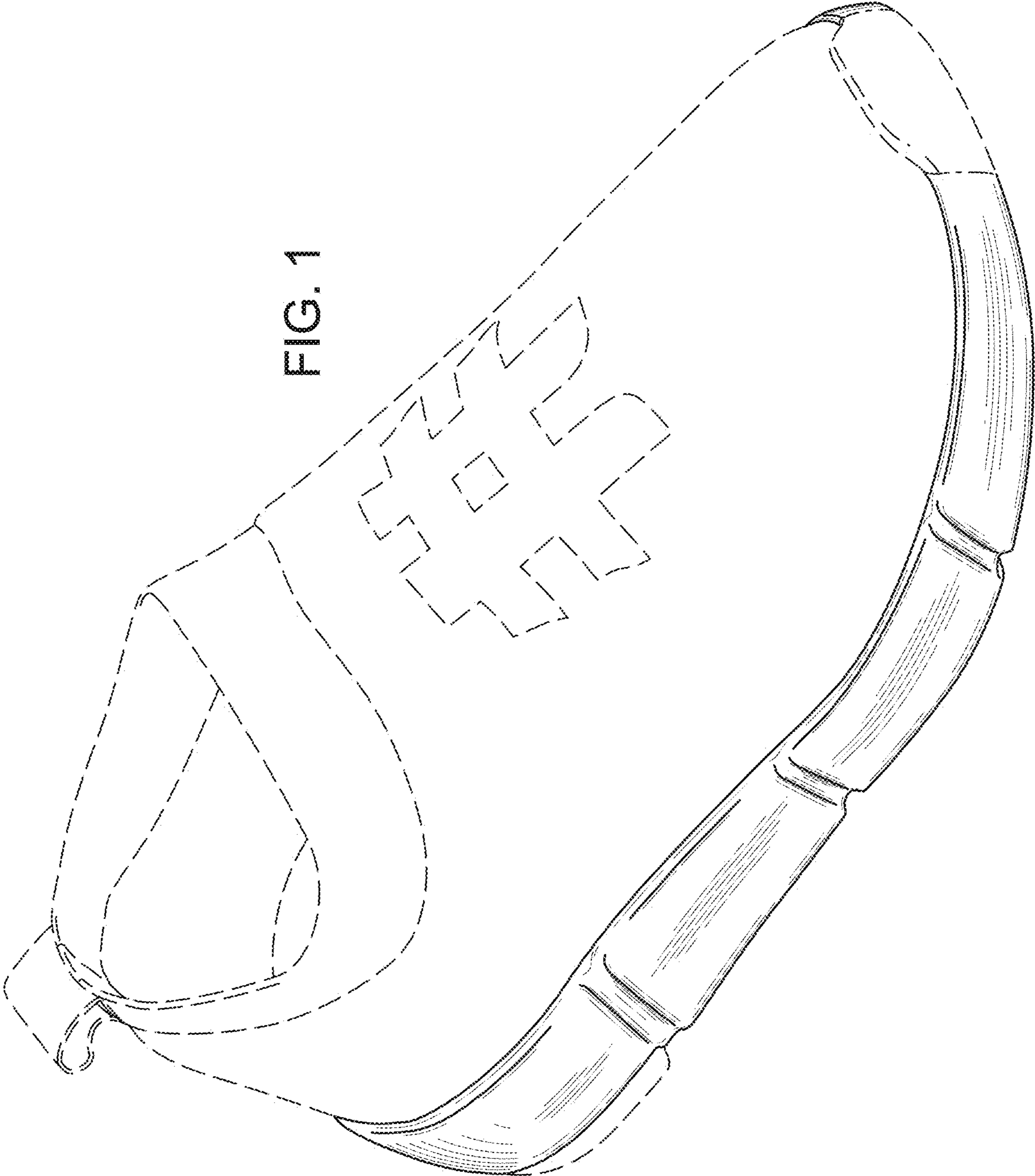


FIG. 1

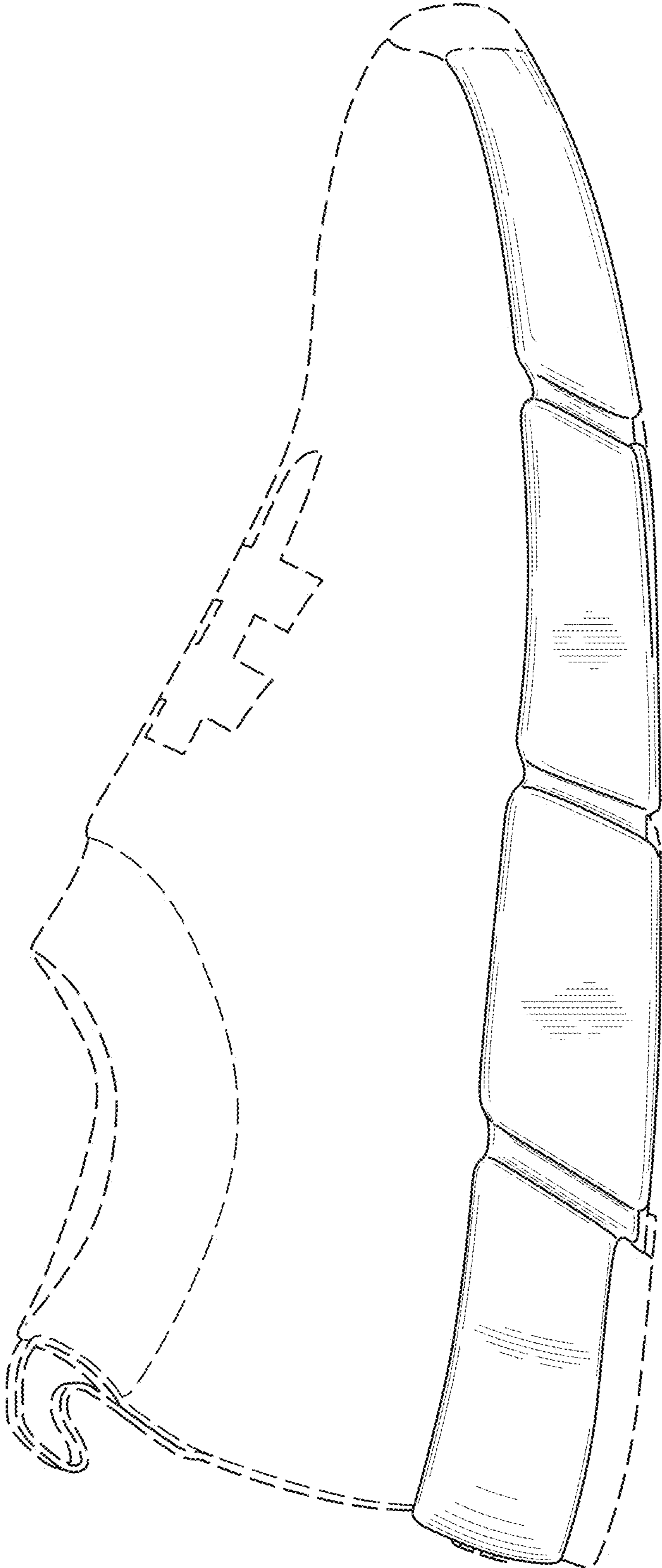


FIG. 2

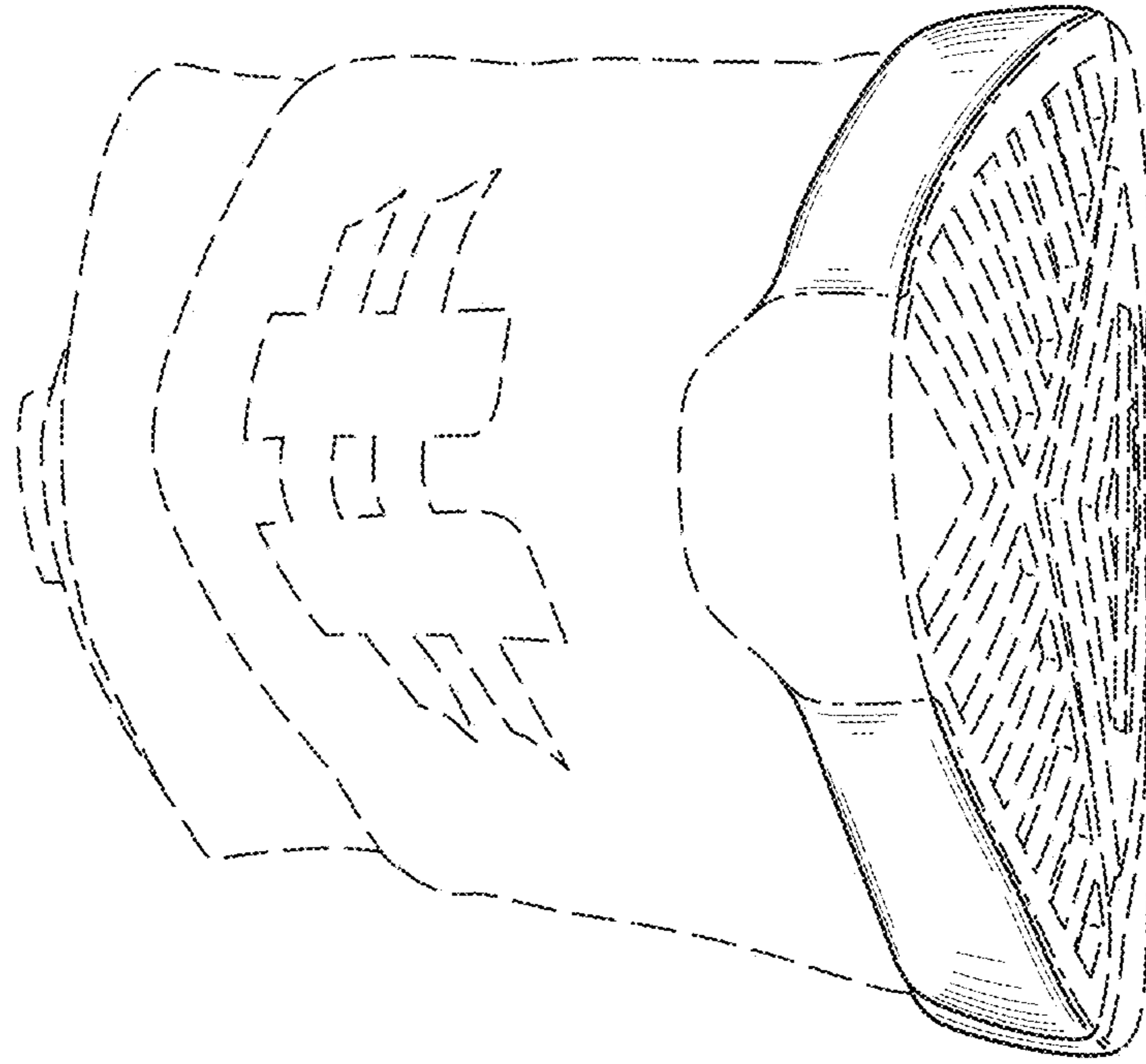


FIG. 4

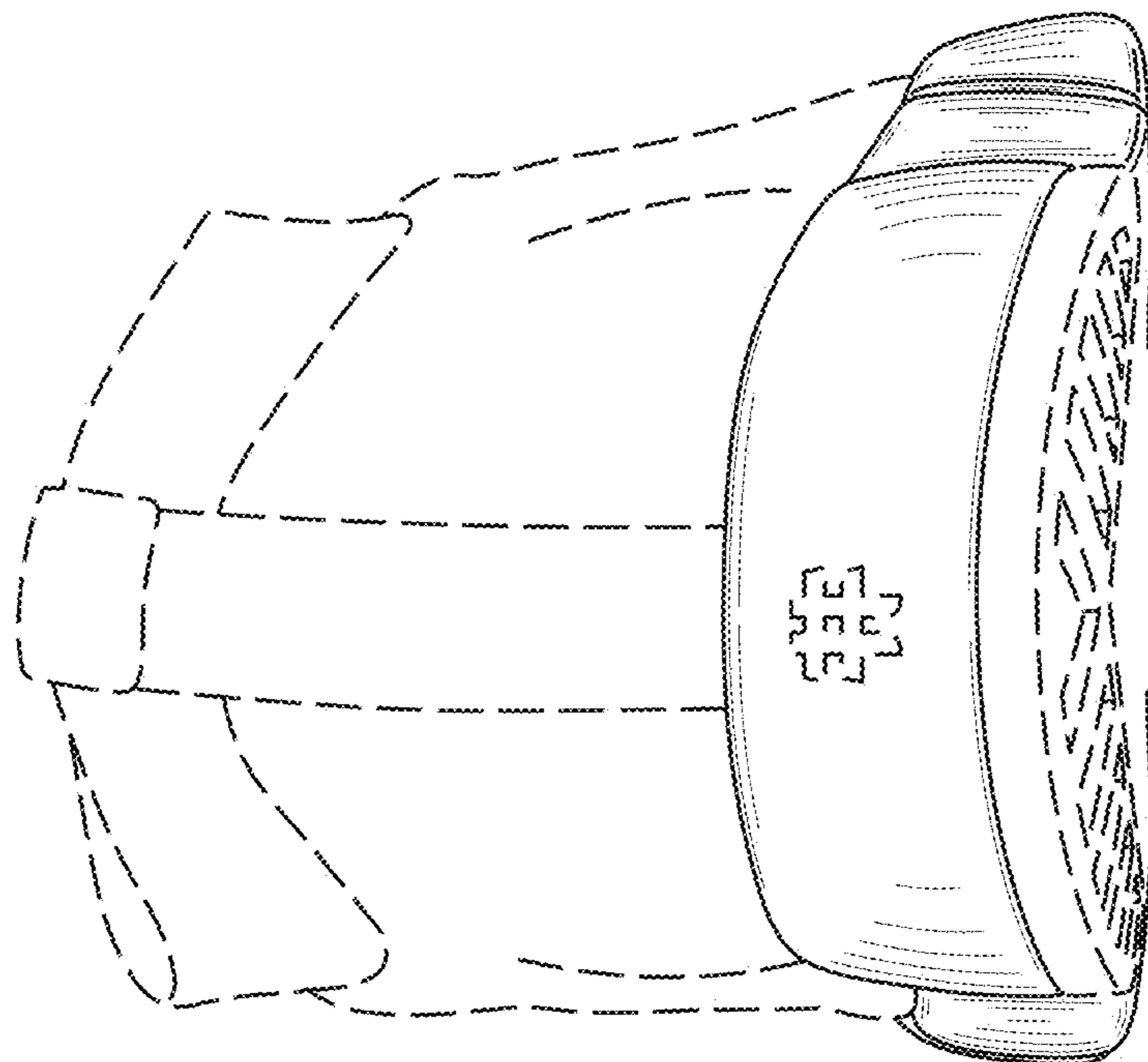


FIG. 3

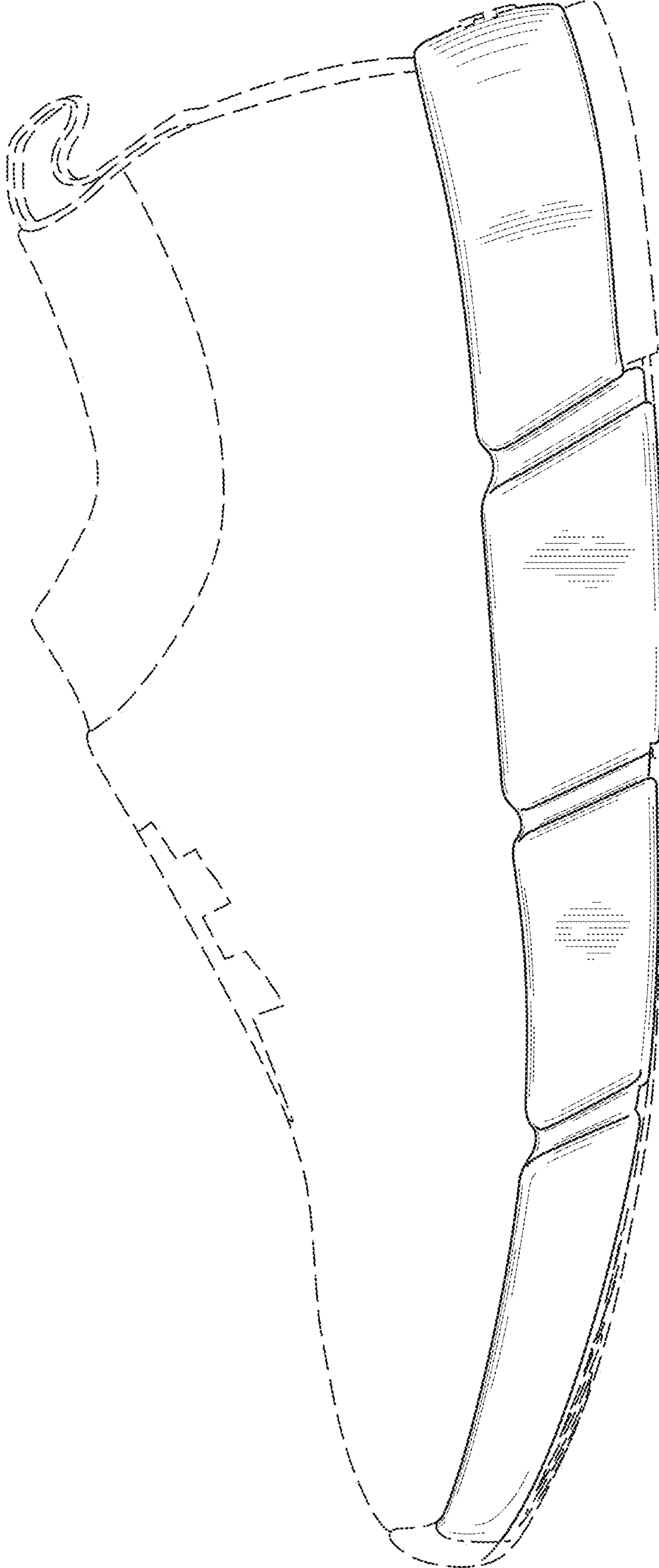


FIG. 5

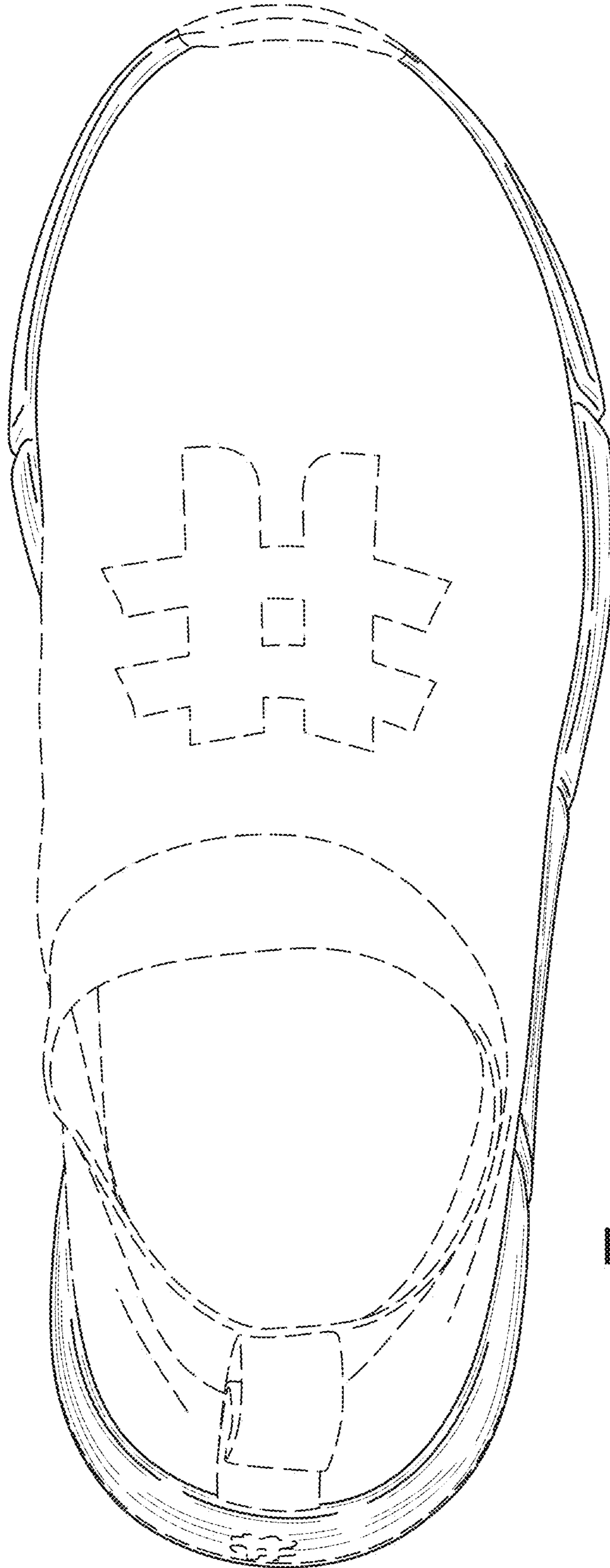


FIG. 6

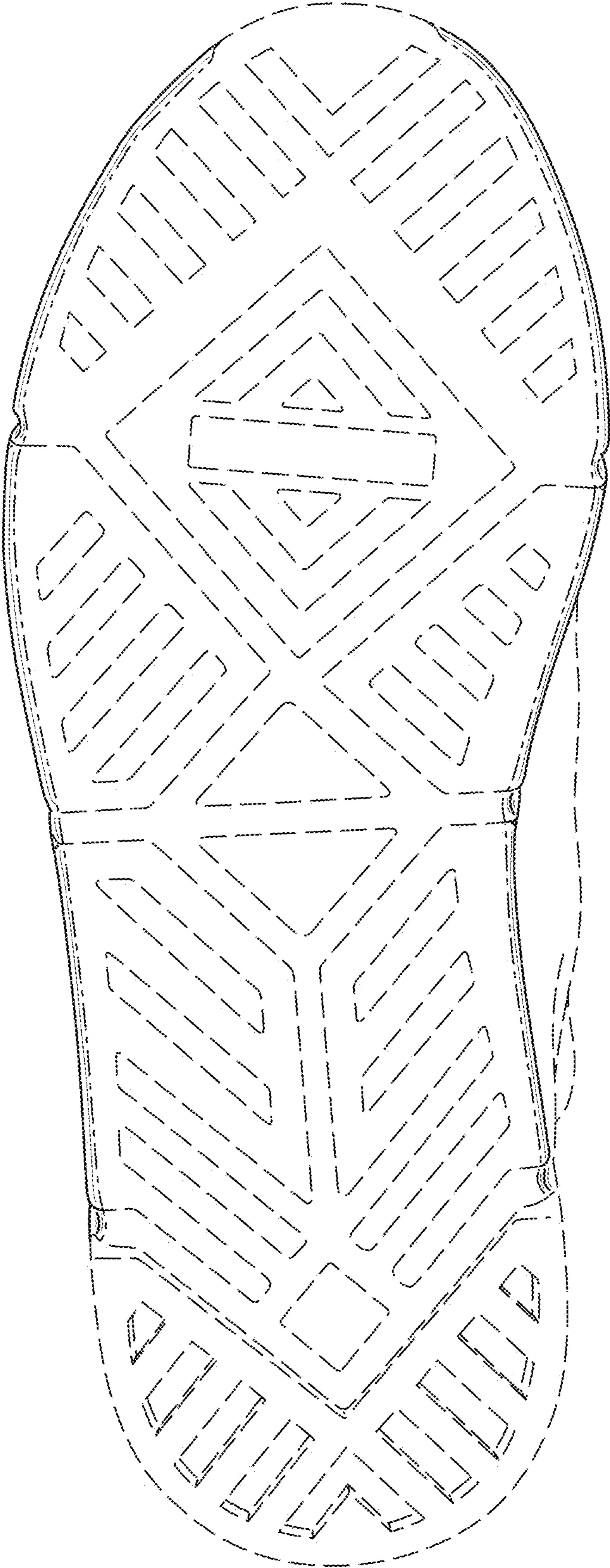


FIG. 7