



US00D918535S

(12) **United States Design Patent**  
**Ingram et al.**

(10) **Patent No.:** **US D918,535 S**

(45) **Date of Patent:** **\*\* May 11, 2021**

(54) **SHORTS**

(71) Applicant: **NIKE, Inc.**, Beaverton, OR (US)

(72) Inventors: **Jeff Ingram**, Portland, OR (US);  
**Russel Grimley**, Portland, OR (US);  
**Charlotte Harris**, Portland, OR (US);  
**Carrie Mcknelly**, New York, NY (US)

(73) Assignee: **NIKE, Inc.**, Beaverton, OR (US)

(\*\*) Term: **15 Years**

(21) Appl. No.: **29/705,159**

(22) Filed: **Sep. 10, 2019**

(51) **LOC (13) Cl.** ..... **02-02**

(52) **U.S. Cl.**  
USPC ..... **D2/742**

(58) **Field of Classification Search**  
USPC ..... D2/700, 704, 705, 712, 713, 714, 715,  
D2/716, 728, 731, 732, 733, 734, 738,  
D2/742, 743, 749

CPC . A41B 11/14; A41D 1/06; A41D 1/08; A41D  
1/084; A41D 7/00; A41D 7/005; A41D  
13/0015; A41D 27/24; A41D 27/245;  
A41D 2400/24; A41D 2400/38; A41D  
17/02

See application file for complete search history.

(56) **References Cited**

**U.S. PATENT DOCUMENTS**

D413,008 S *	8/1999	Fujii	.....	D2/731
D508,304 S *	8/2005	Ota	.....	D2/731
D532,958 S *	12/2006	Kent	.....	A41D 1/086
				D2/742
D722,535 S	2/2015	Baudy et al.		
D747,592 S *	1/2016	Hammer	.....	D2/742
D753,896 S	4/2016	Yoo		
D778,539 S *	2/2017	Kandarian	.....	D2/742

RE46,331 E *	3/2017	Savage	.....	D2/742
D789,035 S	6/2017	Terrell		
D790,161 S *	6/2017	Lee	.....	D2/742
D808,614 S	1/2018	Aanderud et al.		
D817,600 S *	5/2018	Brown	.....	D2/731
RE47,161 E *	12/2018	Savage	.....	D2/742
D872,972 S *	1/2020	Caron	.....	D2/742
10,555,572 B2 *	2/2020	Diakonov	.....	A41D 1/08

**OTHER PUBLICATIONS**

Nike Strike Shorts Dry Short Cd0568-010, [online]; [first published to the Internet on Feb. 26, 2020]; [retrieved from the Internet on Feb. 8, 2021]; URL: [https://www.amazon.com/Nike-Strike-Shorts-Short-CD0568-010/dp/B084Z1CZM2/ref=sr\\_1\\_2?dchild=1&keywords=Nike%2BDri-FIT%2BStrike%2Bshorts&qid=1612823512&s=apparel&sr=1-.\\*](https://www.amazon.com/Nike-Strike-Shorts-Short-CD0568-010/dp/B084Z1CZM2/ref=sr_1_2?dchild=1&keywords=Nike%2BDri-FIT%2BStrike%2Bshorts&qid=1612823512&s=apparel&sr=1-.*)

\* cited by examiner

*Primary Examiner* — Jasmine Mlinarcik

(74) *Attorney, Agent, or Firm* — Banner & Witcoff, Ltd.

(57) **CLAIM**

The ornamental design for shorts, as shown and described.

**DESCRIPTION**

FIG. 1 is a front perspective view of shorts showing our new design;

FIG. 2 is a front view thereof;

FIG. 3 is a rear view thereof;

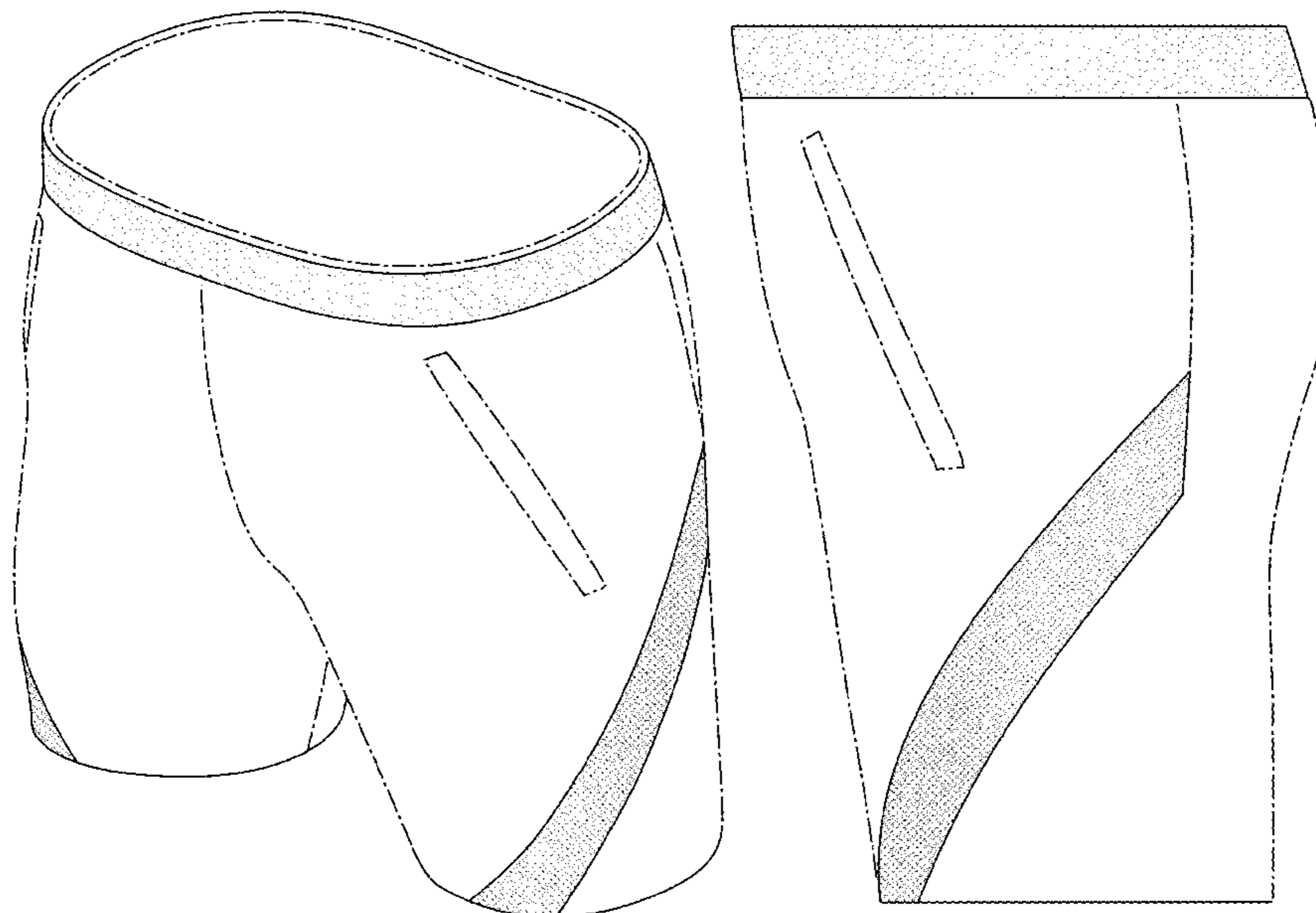
FIG. 4 is a left side view thereof;

FIG. 5 is a right side view thereof; and,

FIG. 6 is a rear perspective view thereof.

The shading represents contour only and no specific surface ornamentation is hereby claimed. The broken lines and the unshaded regions depicting the remainder of the shorts show features that form no part of the claimed design.

**1 Claim, 6 Drawing Sheets**



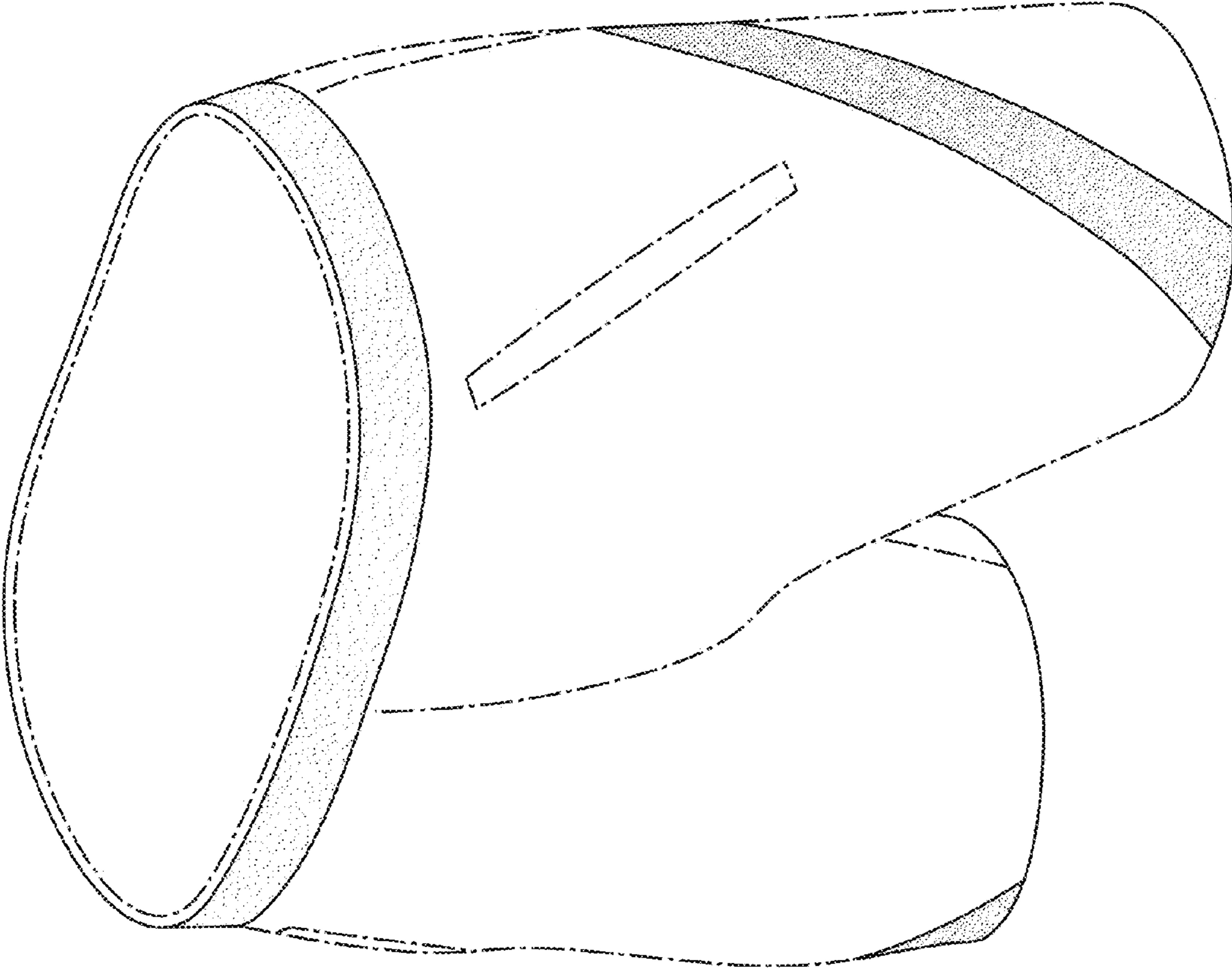


FIG.1

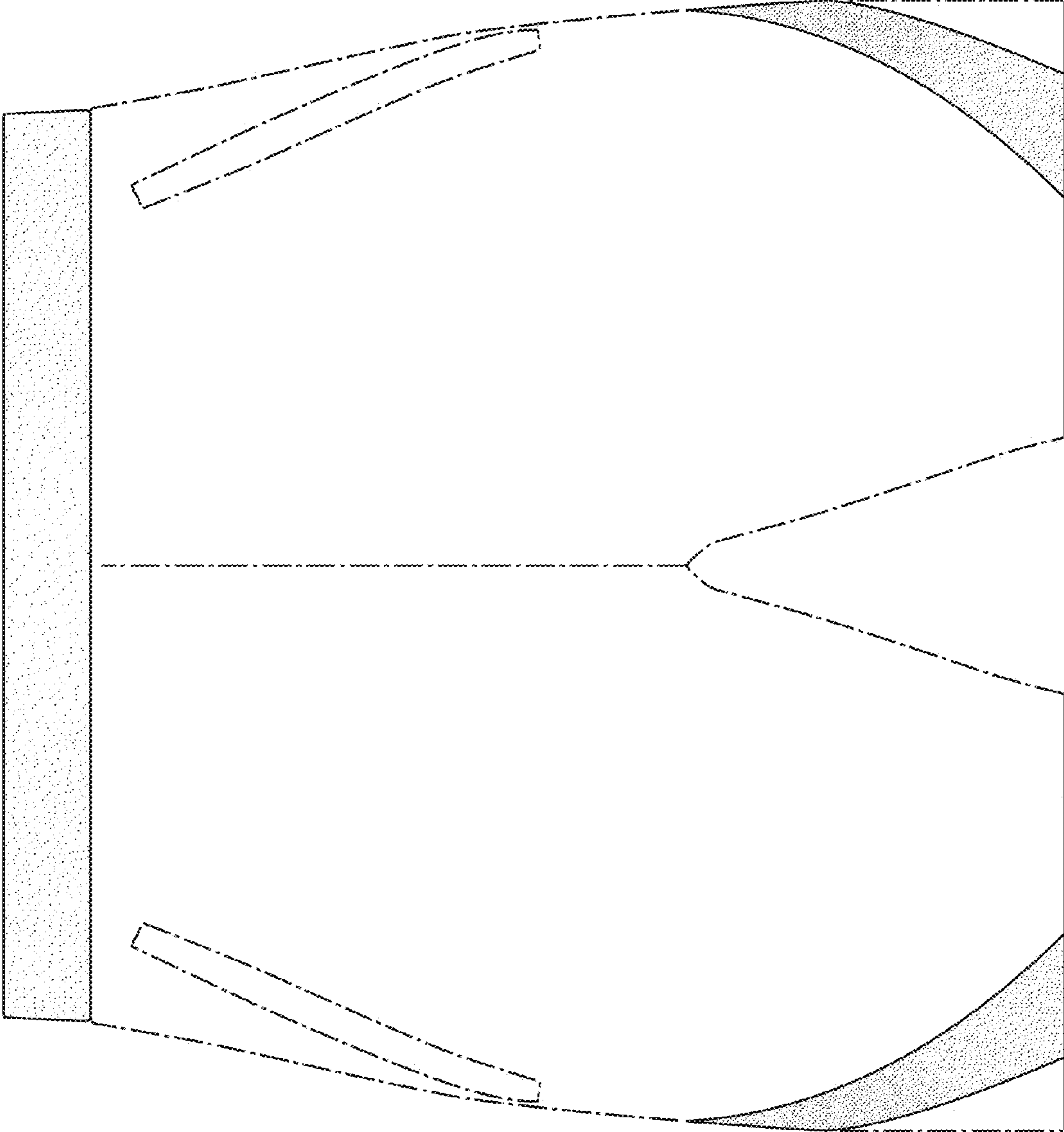


FIG.2

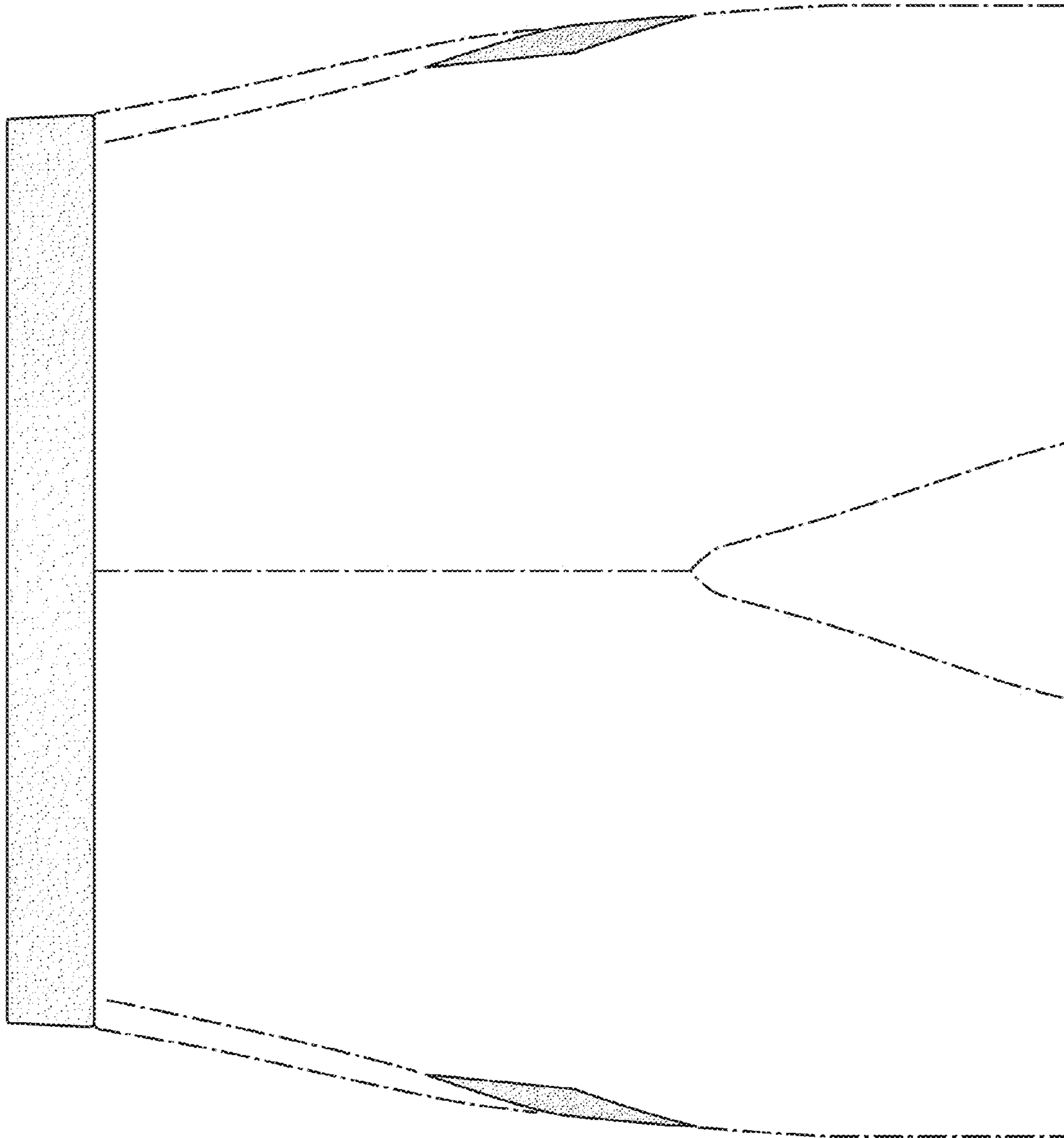


FIG.3

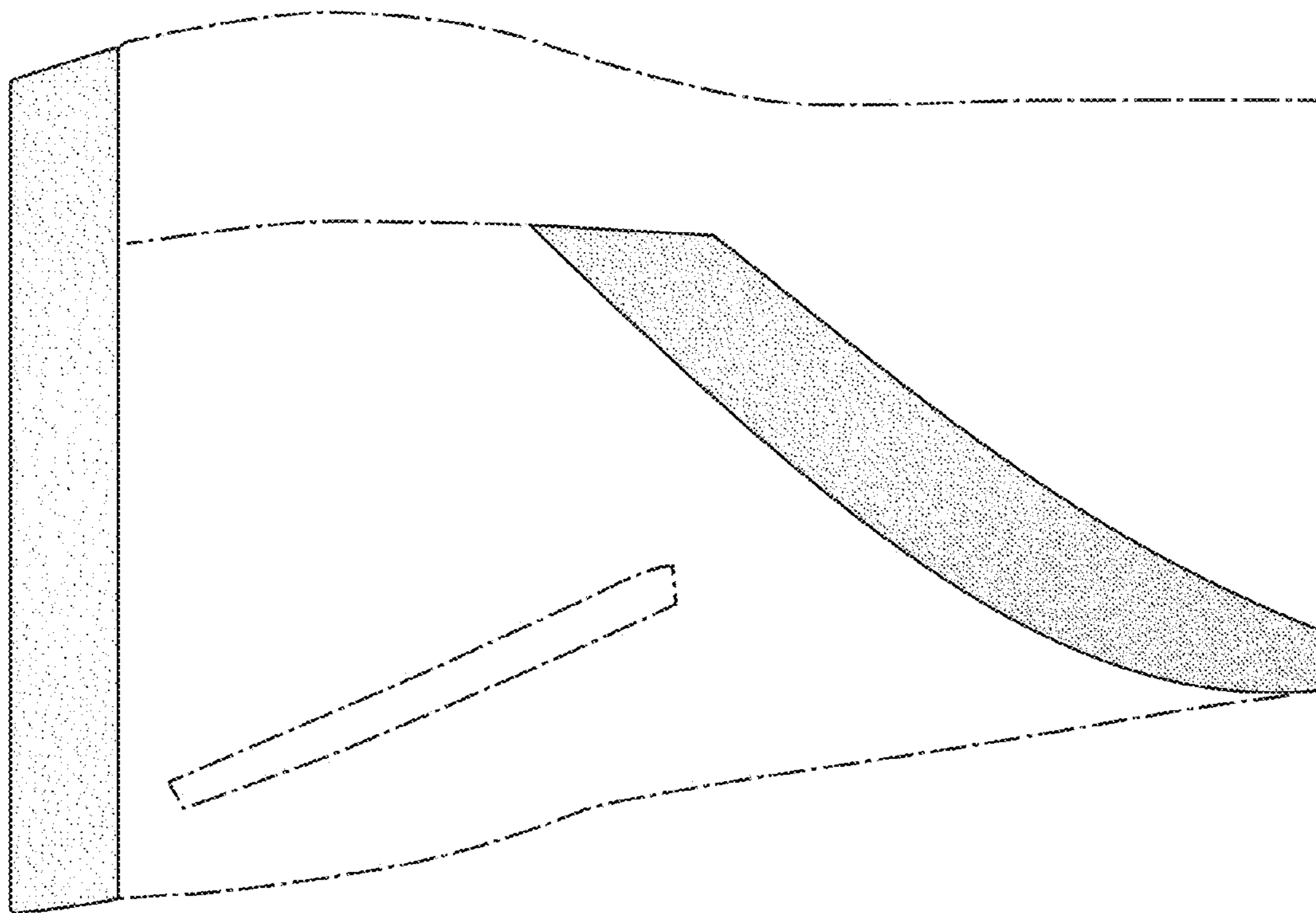


FIG.4

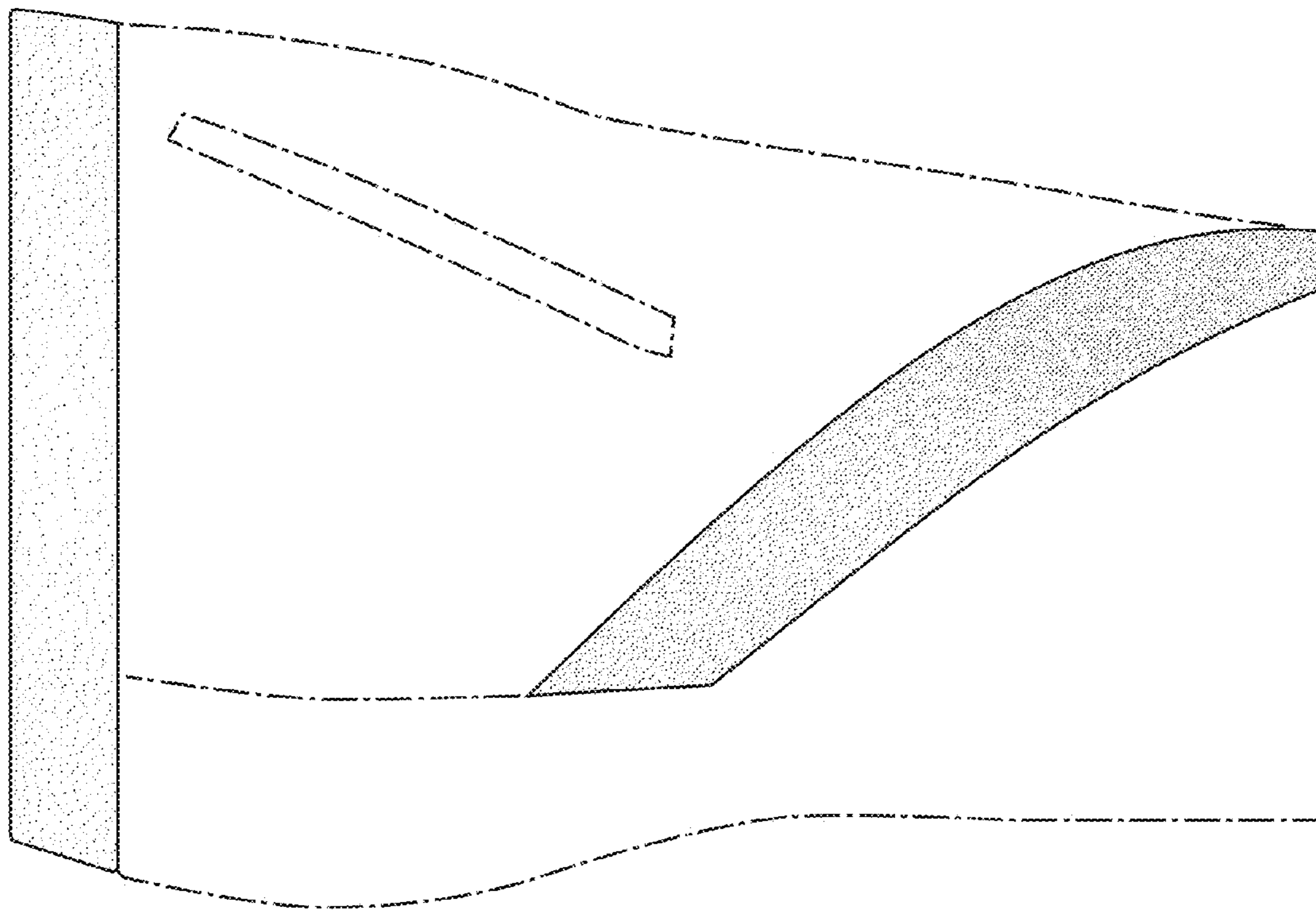


FIG.5

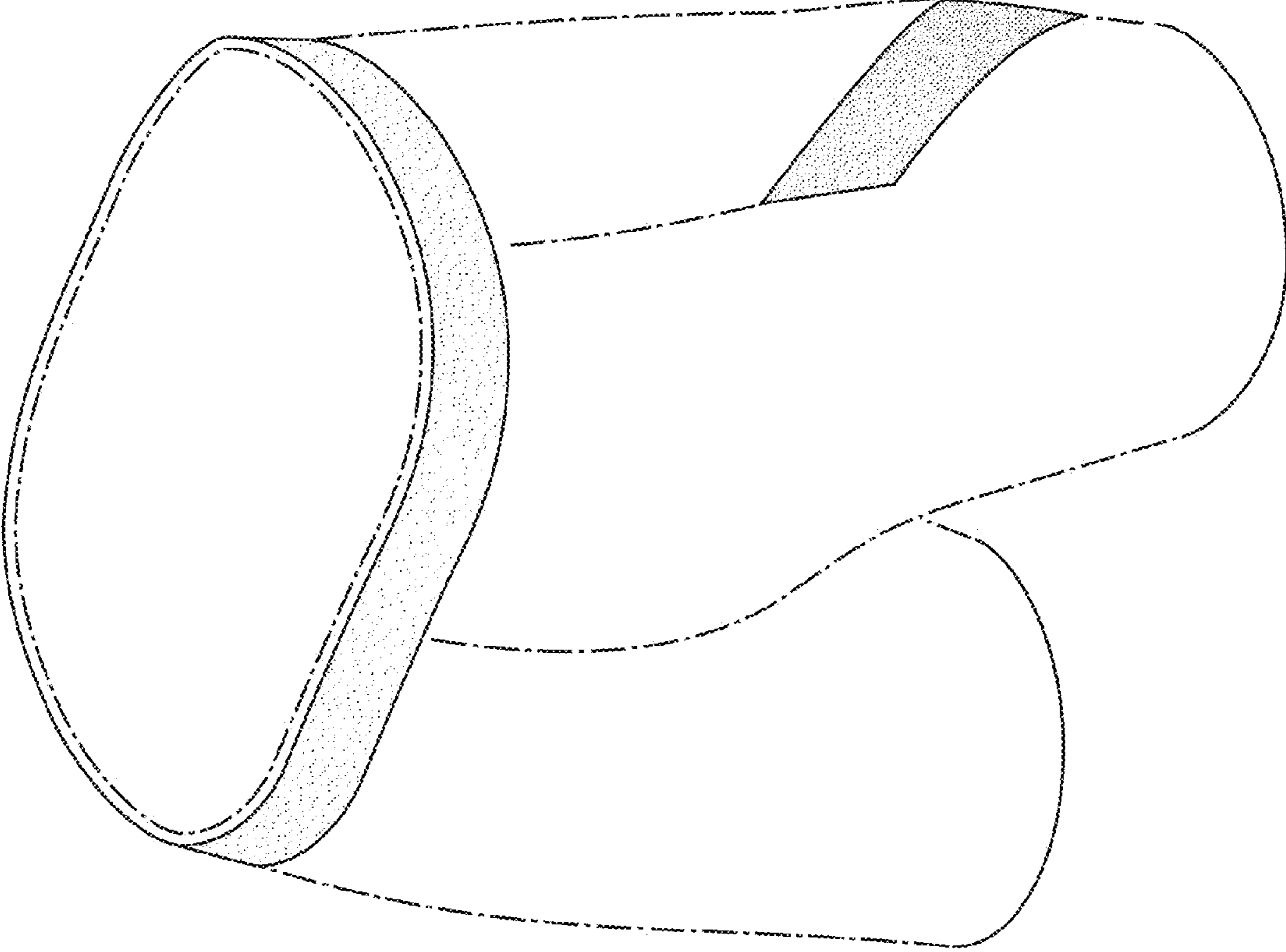


FIG.6