



US00D918527S

(12) **United States Design Patent** (10) **Patent No.:** **US D918,527 S**
García Cendejas (45) **Date of Patent:** **** May 11, 2021**

(54) **EDIBLE BEVERAGE CAN-HOLDER** 3,664,497 A 5/1972 Mascia
3,751,098 A * 8/1973 Owen B65D 71/50
294/87.2
(71) Applicant: **E6PR S.A.P.I. DE C.V.**, Cuajimalpa (MX) 4,005,644 A 2/1977 Tranquillitsky
4,120,396 A 10/1978 Mascia et al.
4,136,772 A 1/1979 Mascia et al.
(72) Inventor: **Juan Francisco García Cendejas**, Tlalpan (MX) 4,139,094 A 2/1979 Berry et al.
4,332,325 A 6/1982 Manizza
D270,428 S 9/1983 Arfert
4,453,630 A 6/1984 Helms et al.
(73) Assignee: **E6PR S.A.P.I. DE C.V.**, Mexico City (MX) D279,259 S * 6/1985 Bixler D9/755
(Continued)

(**) Term: **15 Years**

FOREIGN PATENT DOCUMENTS

(21) Appl. No.: **29/688,477**

CA 2101414 A1 1/1994

(22) Filed: **Apr. 22, 2019**

OTHER PUBLICATIONS

(30) **Foreign Application Priority Data**

Oct. 23, 2018 (MX) MX/f/2018/003165

Edible Six Pack Ring (via E6PR.com), available Mar. 26, 2017, [online], [site visited Jan. 7, 2018]. Available from internet, <URL: <https://web.archive.org/web/20170328162325/https://www.e6pr.com/>>.

(51) **LOC (13) Cl.** **01-01**

(52) **U.S. Cl.** **D1/106; D9/752**
USPC

(Continued)

(58) **Field of Classification Search**
USPC D1/100-130, 199; 426/104, 115, 121, 426/129, 130, 134, 144, 249, 274, 303, 426/414, 420; D21/386, 401, 722; D6/597; D7/354, 400, 507, 509, 523, D7/532, 675, 412, 708; 220/574; 29/428; D9/425, 752, 755; D24/122
CPC A23G 9/503; A23G 9/48; A23G 9/282; A23G 9/285; A23G 3/2023; A23L 1/0067; A21D 2/36; A21D 13/0029
See application file for complete search history.

Primary Examiner — Katie Jane Stofko
(74) *Attorney, Agent, or Firm* — Mayer Brown LLP

(57) **CLAIM**

The ornamental design for an edible beverage can-holder, as shown and described.

DESCRIPTION

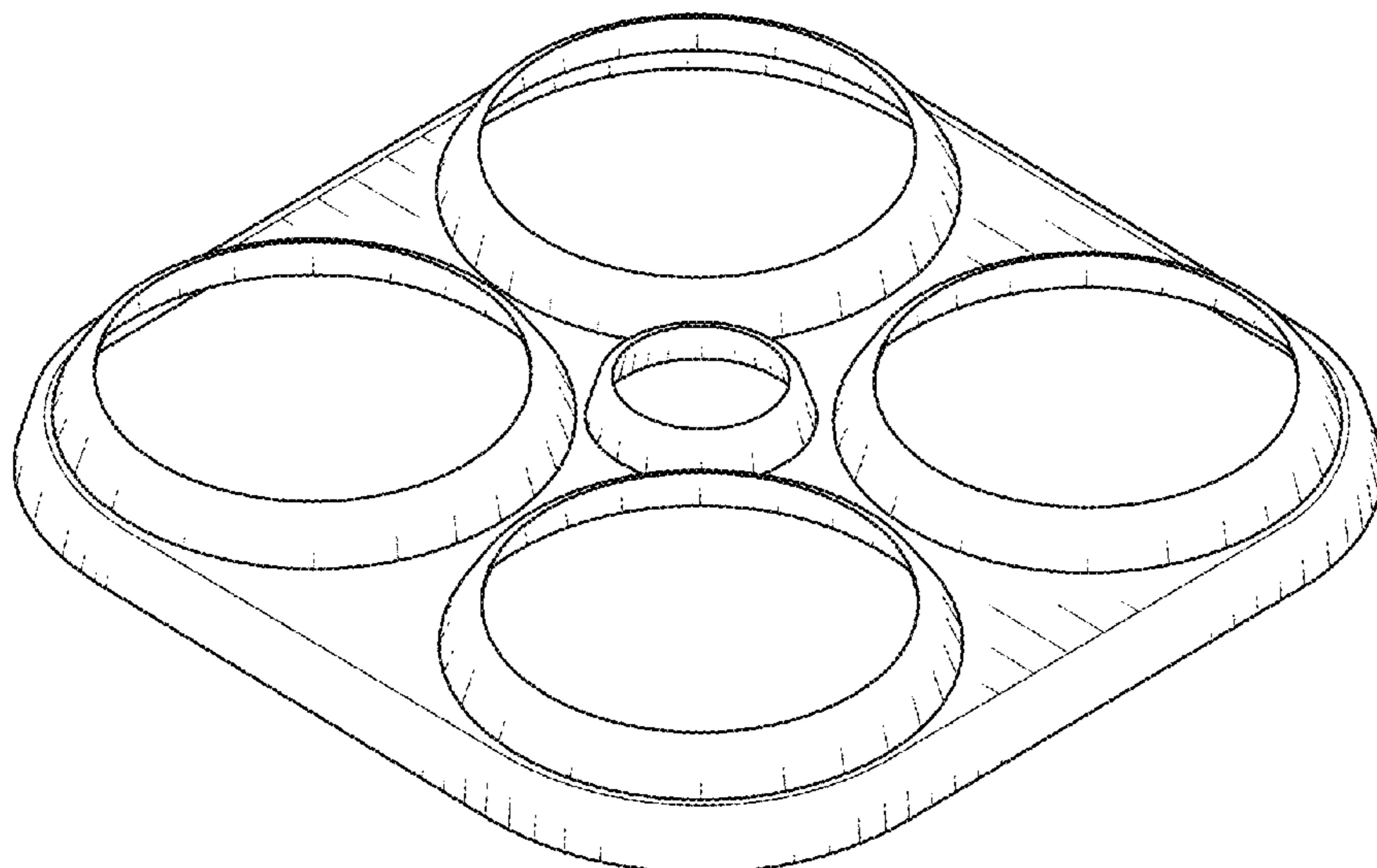
FIG. 1 is a perspective view of an edible beverage can-holder showing my new design;
FIG. 2 is a top view thereof;
FIG. 3 is a bottom view thereof;
FIG. 4 is a front view thereof;
FIG. 5 is a rear view thereof;
FIG. 6 is a left side view thereof; and,
FIG. 7 is a right side view thereof.

(56) **References Cited**

U.S. PATENT DOCUMENTS

2,936,070 A 5/1960 Poupitch
3,200,944 A 8/1965 Rapata
3,300,041 A 1/1967 Fuller
3,346,106 A 10/1967 Gooding

1 Claim, 3 Drawing Sheets



(56)

References Cited

U.S. PATENT DOCUMENTS

4,574,949 A * 3/1986 Rhoads B65D 71/504
 206/150
 D290,580 S * 6/1987 Vigue D9/427
 D310,027 S * 8/1990 Bixler D9/752
 5,186,321 A 2/1993 Fadus
 5,221,062 A 6/1993 Garganese
 D342,023 S 12/1993 Bonkowski
 5,285,892 A 2/1994 Adami et al.
 5,320,216 A * 6/1994 Pangborn B65D 71/48
 206/148
 5,356,518 A 10/1994 Kelley et al.
 D354,227 S 1/1995 Adami et al.
 5,415,278 A 5/1995 Sutherland
 5,503,267 A 4/1996 Sutherland
 5,551,566 A 9/1996 Sutherland
 5,553,704 A 9/1996 Gordon et al.
 5,562,205 A 10/1996 Diaz
 D430,014 S 8/2000 Hackmeister
 6,129,397 A 10/2000 Borg
 6,361,746 B1 3/2002 Wlodarski
 D502,406 S * 3/2005 Eddings D7/706
 D653,560 S * 2/2012 Smithers D9/752
 D700,526 S 3/2014 Borg et al.
 D705,666 S 5/2014 Borg et al.
 D721,598 S 1/2015 Borg
 D722,891 S 2/2015 Borg et al.
 D774,369 S * 12/2016 Harris D7/708
 D781,649 S * 3/2017 Fastabend D7/412
 D786,702 S 5/2017 Borg et al.
 9,986,860 B2 6/2018 Hawley et al.
 D854,424 S * 7/2019 Lauria D21J 7/00
 D9/752

2004/0003573 A1 1/2004 Moore
 2005/0138887 A1 6/2005 Kanachowski
 2005/0139500 A1* 6/2005 Smithers B65D 71/50
 206/427
 2010/0062248 A1 3/2010 Kimura et al.
 2011/0028427 A1 2/2011 McManus
 2012/0305010 A1 12/2012 Mishra et al.
 2014/0300026 A1 10/2014 Taccolini
 2016/0251114 A1 9/2016 Lee et al.
 2018/0016750 A1* 1/2018 Lauria B65D 71/50
 2018/0222650 A1 8/2018 Zacherle
 2018/0362234 A1 12/2018 L'Heureux et al.

OTHER PUBLICATIONS

Saltwater Brewery "Edible Six Pack Rings" (via YouTube.com), available May 12, 2016, [online], [site visited Jan. 7, 2018]. Video available from internet, <URL: <https://www.youtube.com/watch?v=-YG9gUJMGyw>.
 Fishbone Packaging Inc., available Feb. 10, 2016, [online], [site visited Jan. 7, 2018]. Video available from internet, <URL: <https://web.archive.org/web/20160210131122/http://www.fishbonepackaging.co/>.
 Daikin America; Unidyne TG-8811 Technical Data Sheet; Revised Feb. 9, 2016; <https://Daikin-america.com/wp-content/uploads/2013/07/TDS-TG-018-TG-8811-Surface.pdf>; full page of Technical data Sheet.
 International Search Report of Patent App. No. PCT/US17/40808 dated Sep. 28, 2017.
 Niland, O., "Brewery replaces plastic six-pack rings with fish food," May 19, 2016; Mashable .com; <http://mashable.com/2016/05/20/edible-six-pack-rings-beer/#4e1Wy45dF Gq D>; pp. 2-4 of pdf file.

* cited by examiner

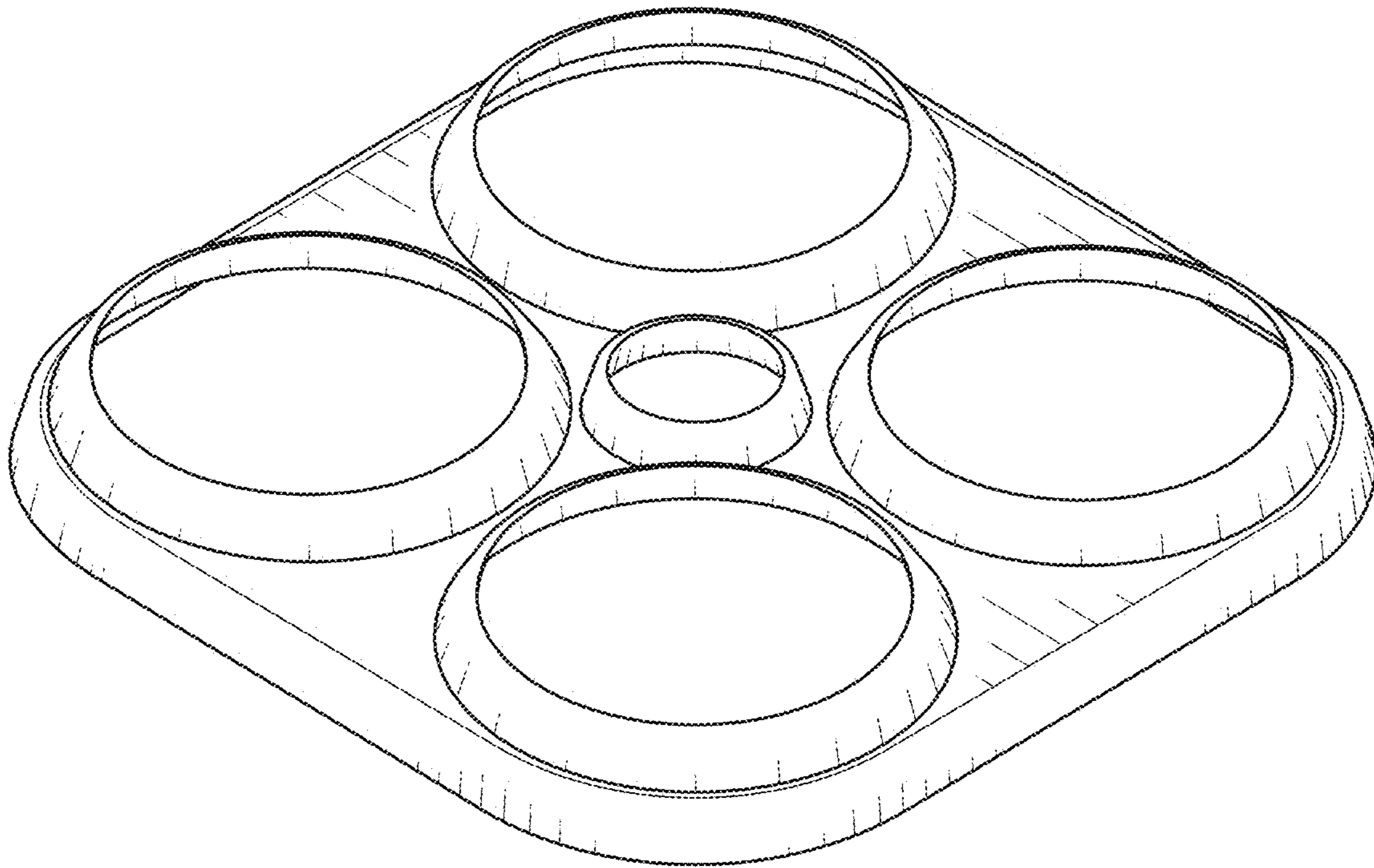


FIG. 1

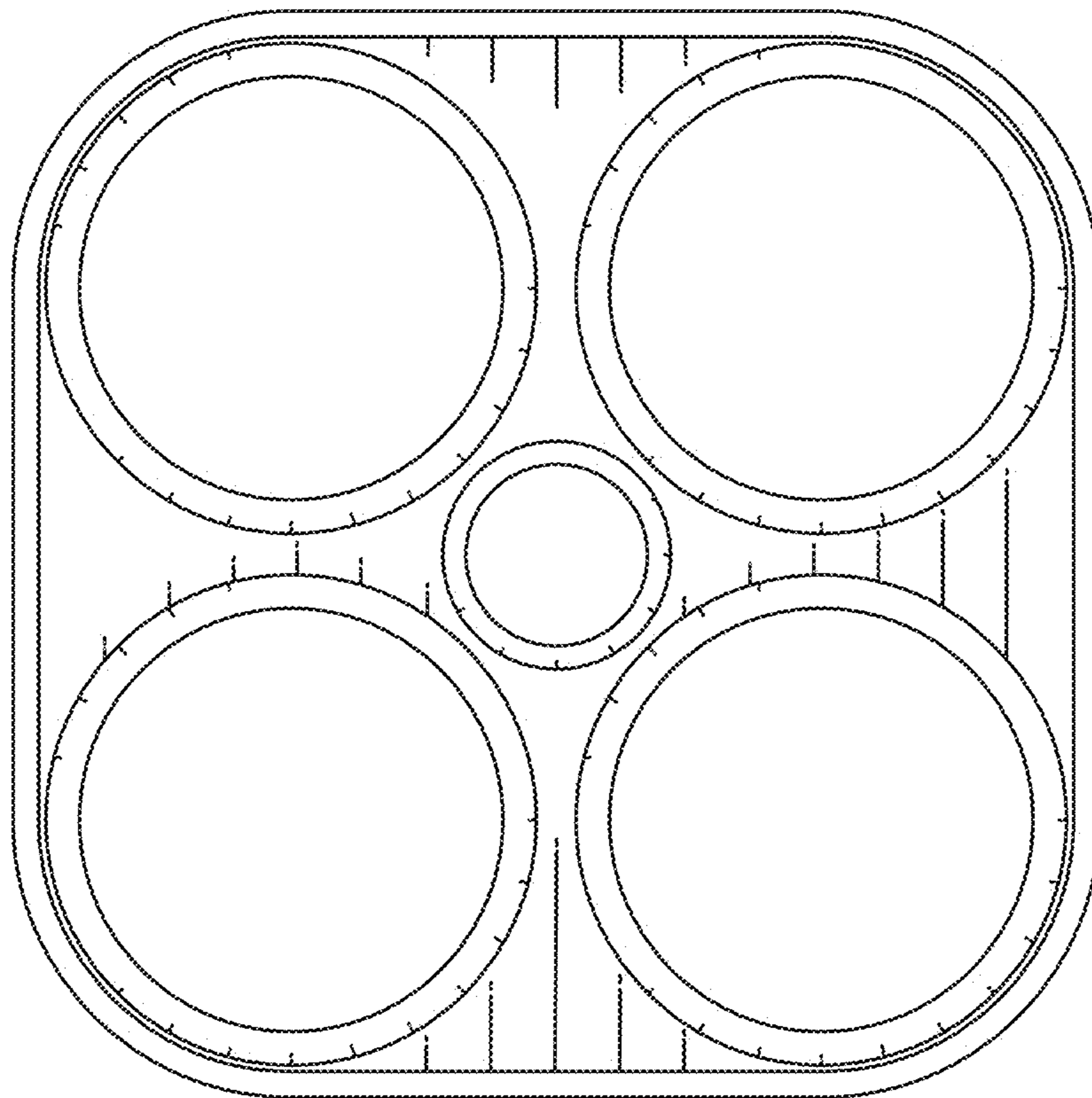


FIG. 2

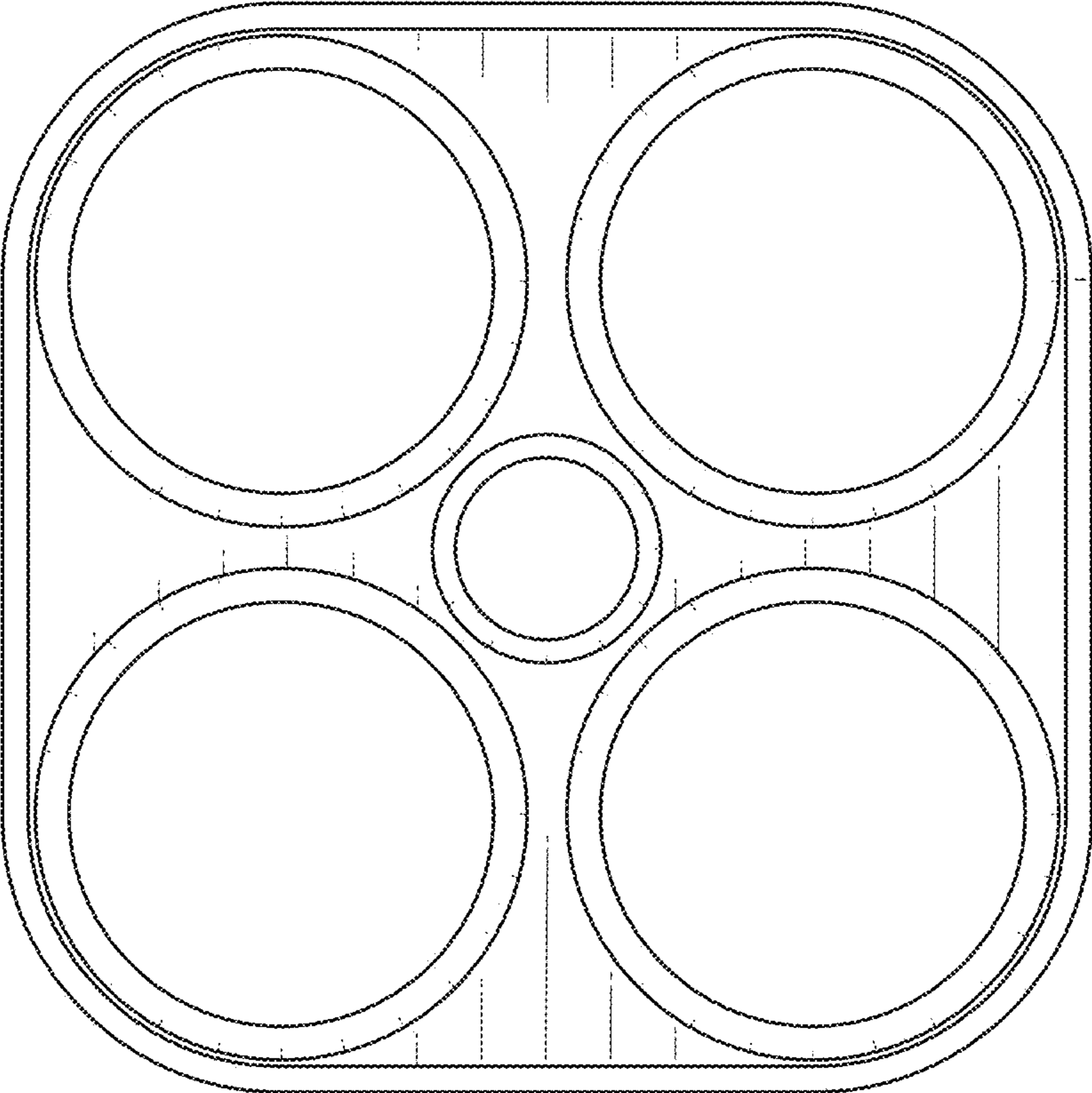


FIG. 3



FIG. 4



FIG. 5



FIG. 6

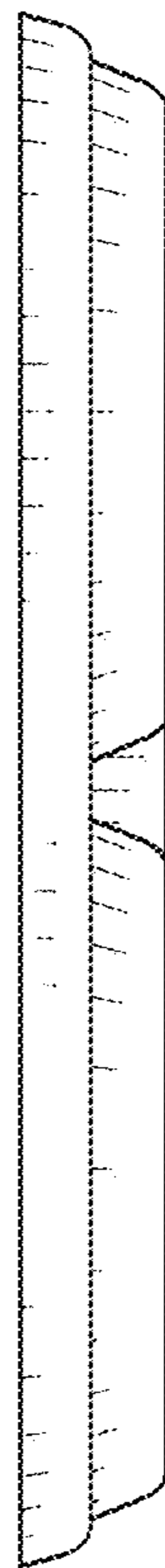


FIG. 7