



US00D918524S

(12) **United States Design Patent**  
**Christensen**

(10) **Patent No.:** **US D918,524 S**

(45) **Date of Patent:** **\*\* May 4, 2021**

(54) **WHEELBARROW CADDY**

(71) Applicant: **Robin Christensen**, Puyallup, WA (US)

(72) Inventor: **Robin Christensen**, Puyallup, WA (US)

(\*\*) Term: **15 Years**

(21) Appl. No.: **29/684,456**

(22) Filed: **Mar. 21, 2019**

(51) **LOC (13) Cl.** ..... **12-05**

(52) **U.S. Cl.**  
USPC ..... **D34/35; D34/27**

(58) **Field of Classification Search**  
USPC ..... D12/106; D34/12-39; D3/313; D25/68;  
D8/382, 356, 349, 353, 354, 380  
CPC .. B62B 1/20; B25H 5/00; B60R 7/043; B60R  
2011/0007  
See application file for complete search history.

(56) **References Cited**

**U.S. PATENT DOCUMENTS**

D338,306 S *	8/1993	White	280/47.18
5,687,979 A	11/1997	Plevka	
D440,047 S *	4/2001	Crump	D3/319
D477,915 S *	8/2003	Slight	D3/313
D495,490 S *	9/2004	Garrett	D3/304
D577,489 S *	9/2008	Debowiecki	D3/315
D690,939 S *	10/2013	Lintz	D3/313
D779,764 S	2/2017	Thorsen	
D858,136 S *	9/2019	Burgeson	D6/513
D875,398 S *	2/2020	Kovach	D3/304
2005/0212238 A1 *	9/2005	Conley	B25H 1/04 280/47.32
2010/0127028 A1	5/2010	Lusk	

2015/0284017 A1	10/2015	Nilsen	
2016/0009305 A1	1/2016	Milo	
2017/0057079 A1	3/2017	Thorsen	
2017/0144296 A1 *	5/2017	Haun	A61J 1/03

**OTHER PUBLICATIONS**

BurroBuddy, announced 2019 [online], [site visited Dec. 17, 2020]. Available from internet, URL: <https://www.lowes.com/pd/The-Little-Burros-The-Burro-Buddy/1001234126> (Year: 2019).\*

\* cited by examiner

*Primary Examiner* — George A Bugg

*Assistant Examiner* — Tamara L Hahn

(74) *Attorney, Agent, or Firm* — Boudwin Intellectual Property; Daniel Boudwin

(57) **CLAIM**

The ornamental design for a wheelbarrow caddy, as shown and described.

**DESCRIPTION**

FIG. 1 shows a perspective view of a wheelbarrow caddy showing our new design, in condition of use.

FIG. 2 shows a perspective view of the wheelbarrow caddy;

FIG. 3 shows a front view of the wheelbarrow caddy;

FIG. 4 shows a rear view of the wheelbarrow caddy;

FIG. 5 shows a top plan view of the wheelbarrow caddy;

FIG. 6 shows a bottom plan view of the wheelbarrow caddy;

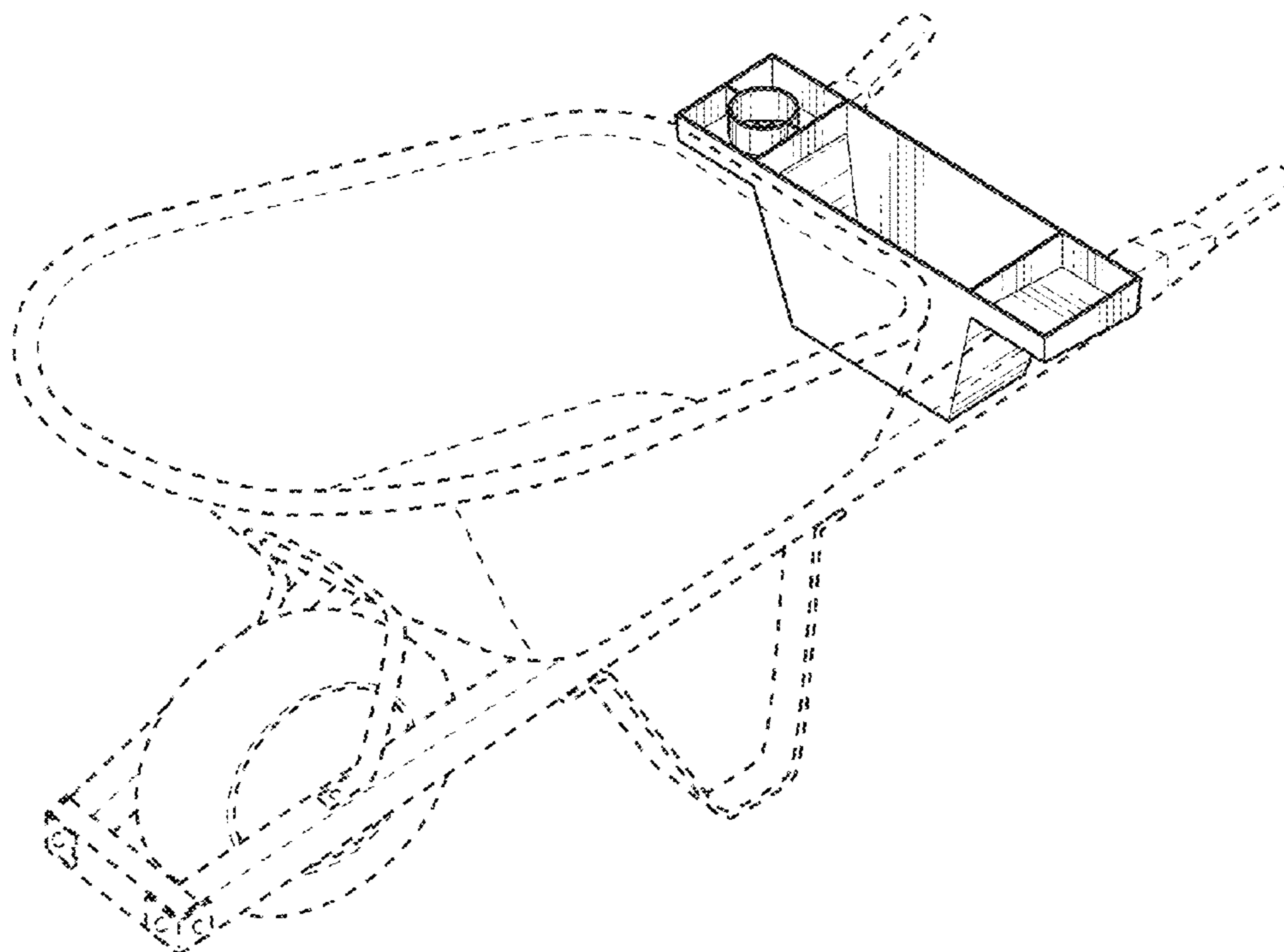
FIG. 7 shows a left side view of the wheelbarrow caddy;

and,

FIG. 8 shows a right side view of the wheelbarrow caddy.

The broken line showing of the wheelbarrow in FIG. 1 depicts environment and forms no part of the claimed design.

**1 Claim, 4 Drawing Sheets**



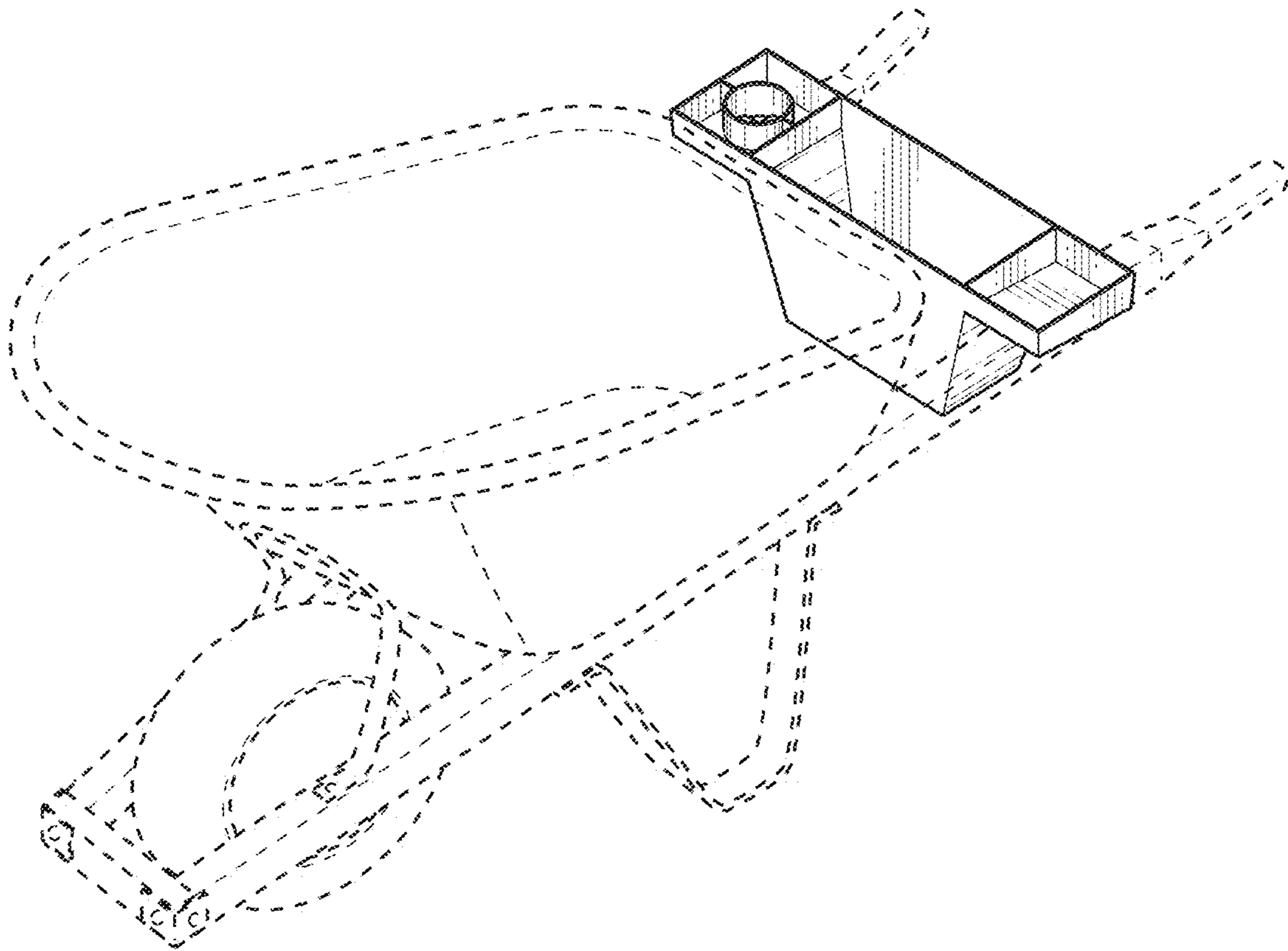


FIG. 1

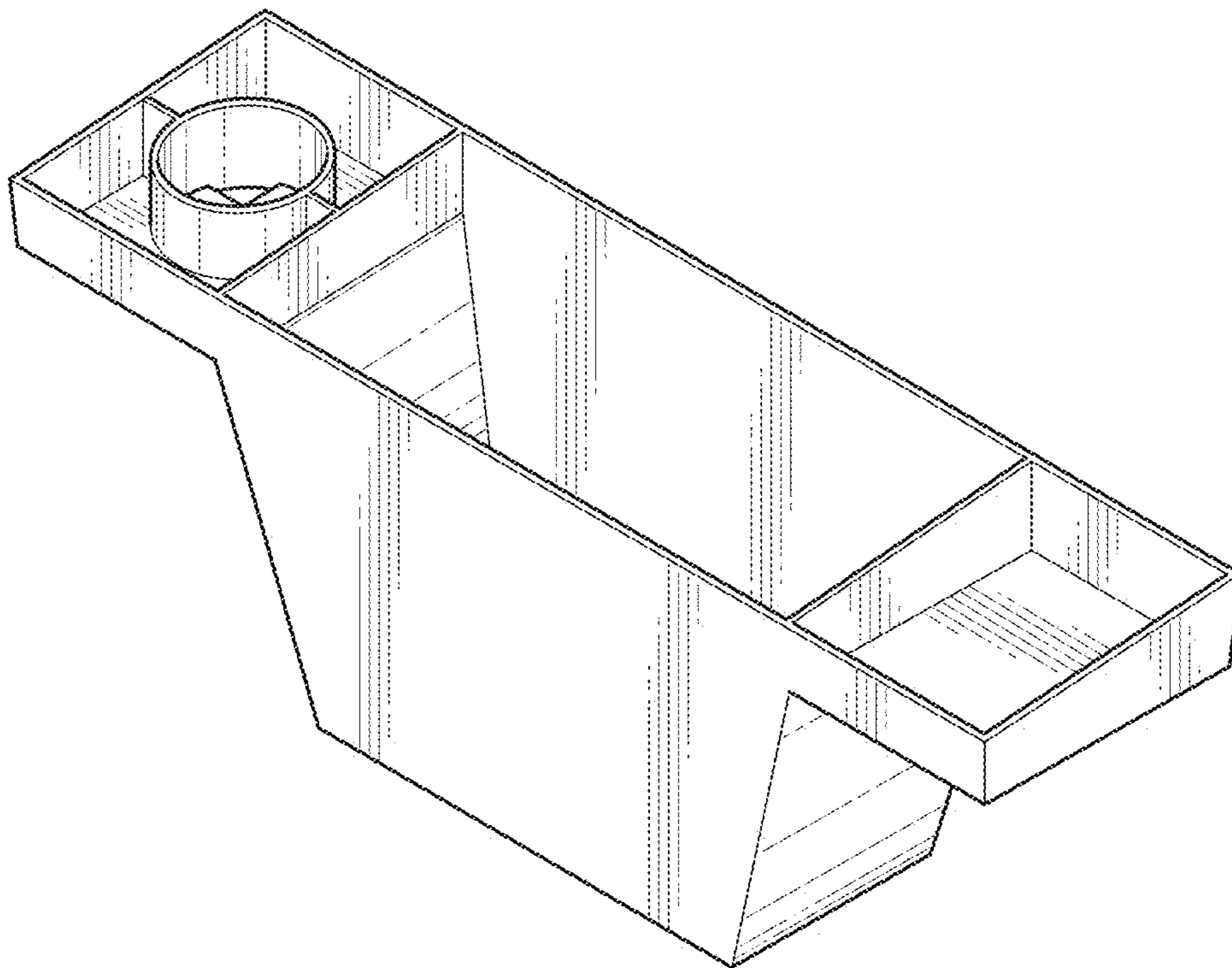
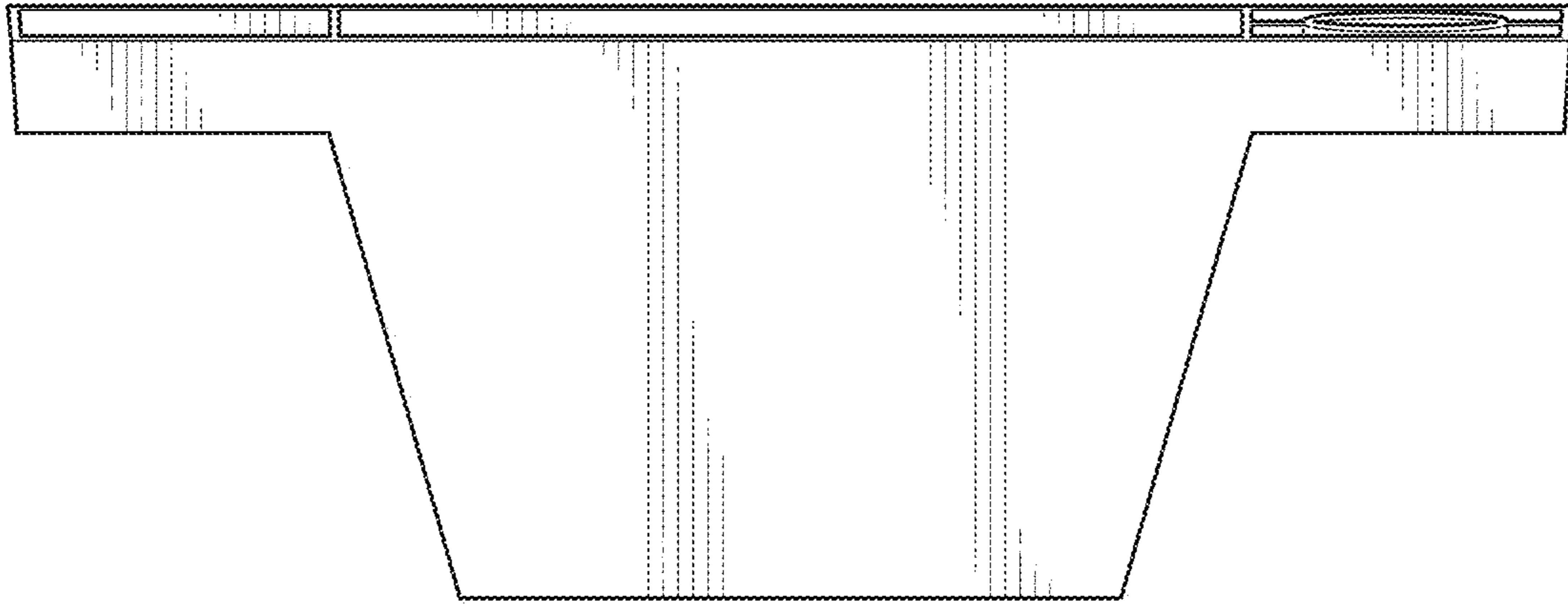
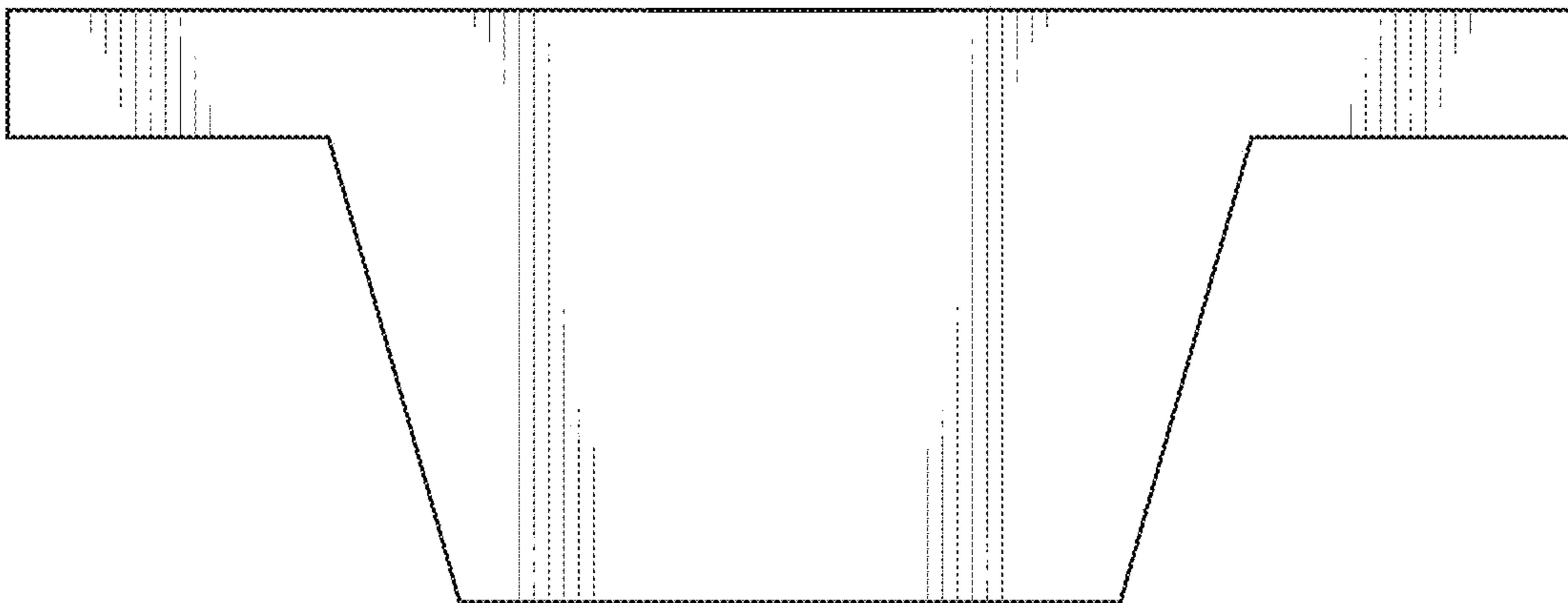


FIG. 2



**FIG. 3**



**FIG. 4**

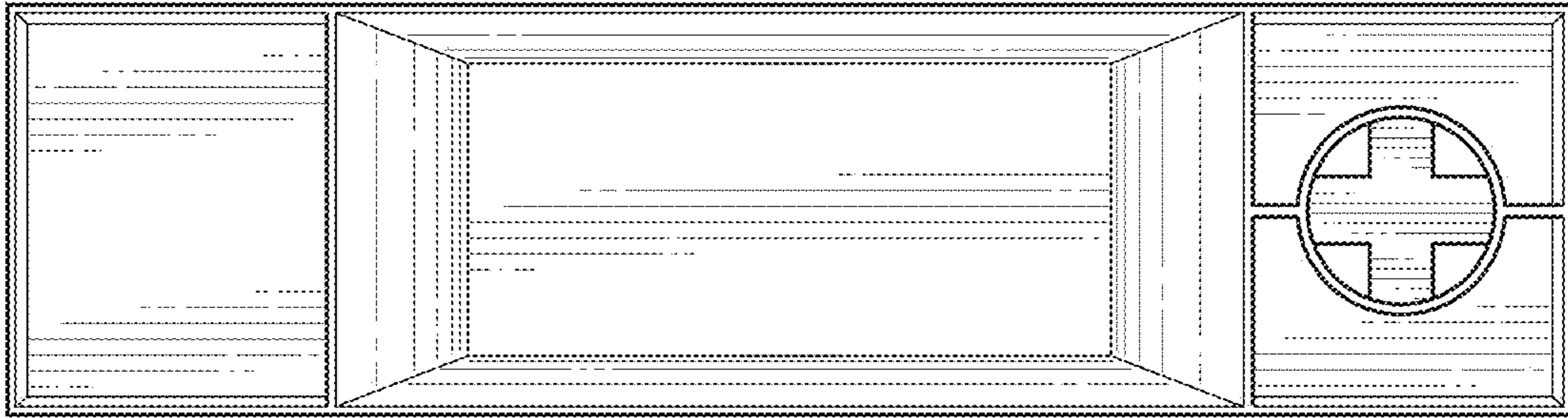


FIG. 5

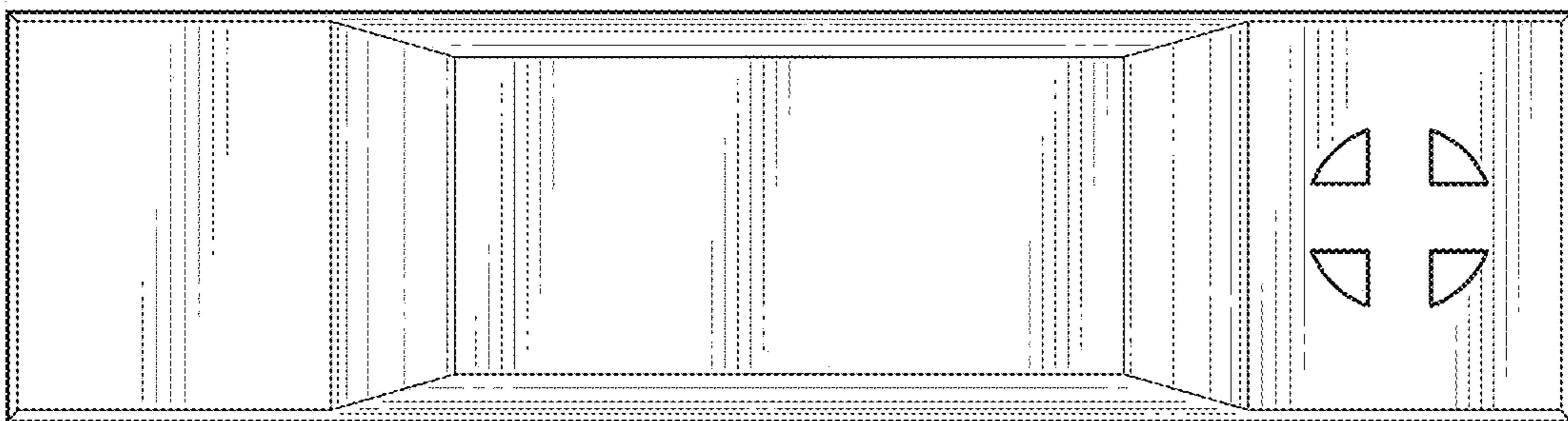
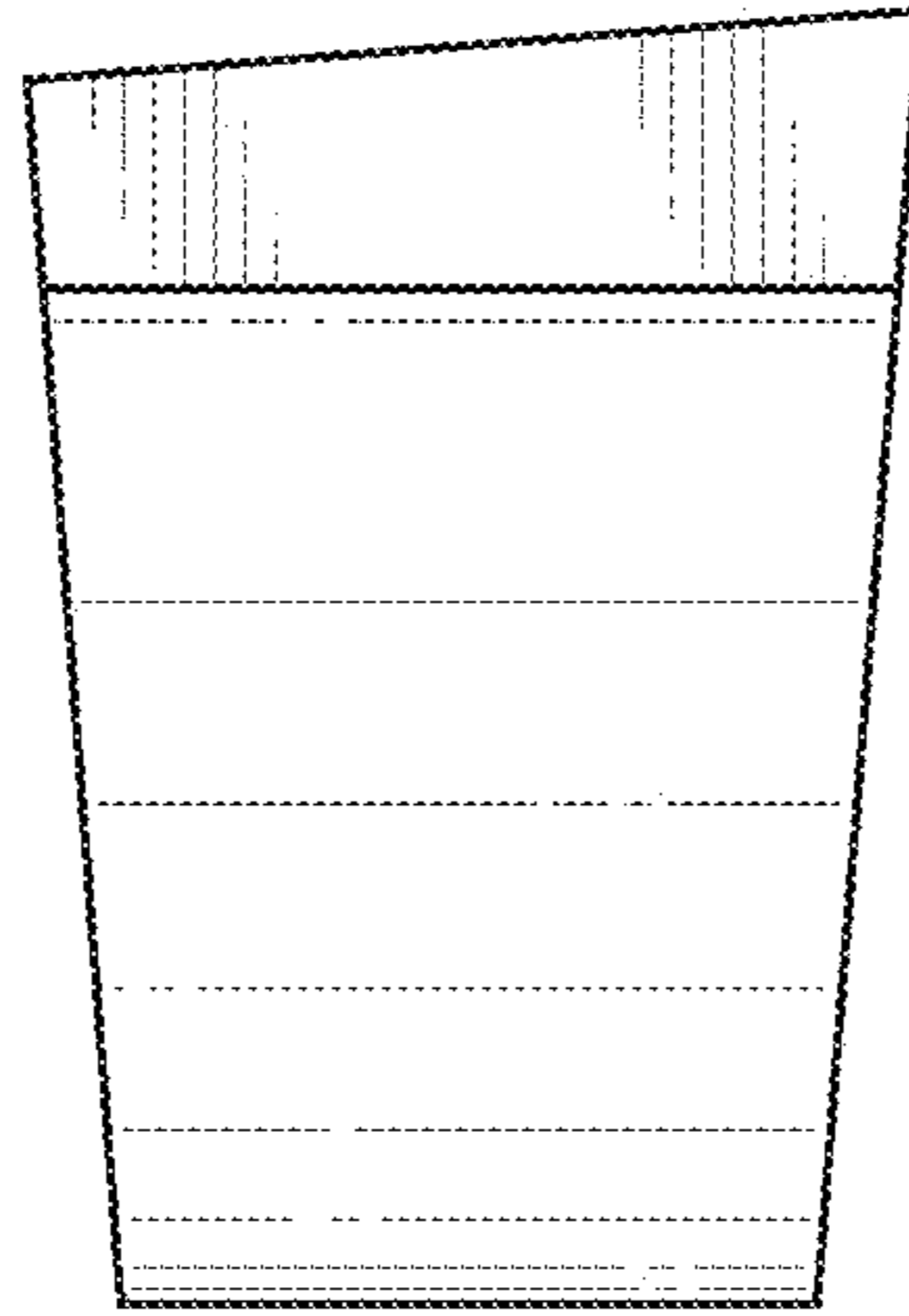
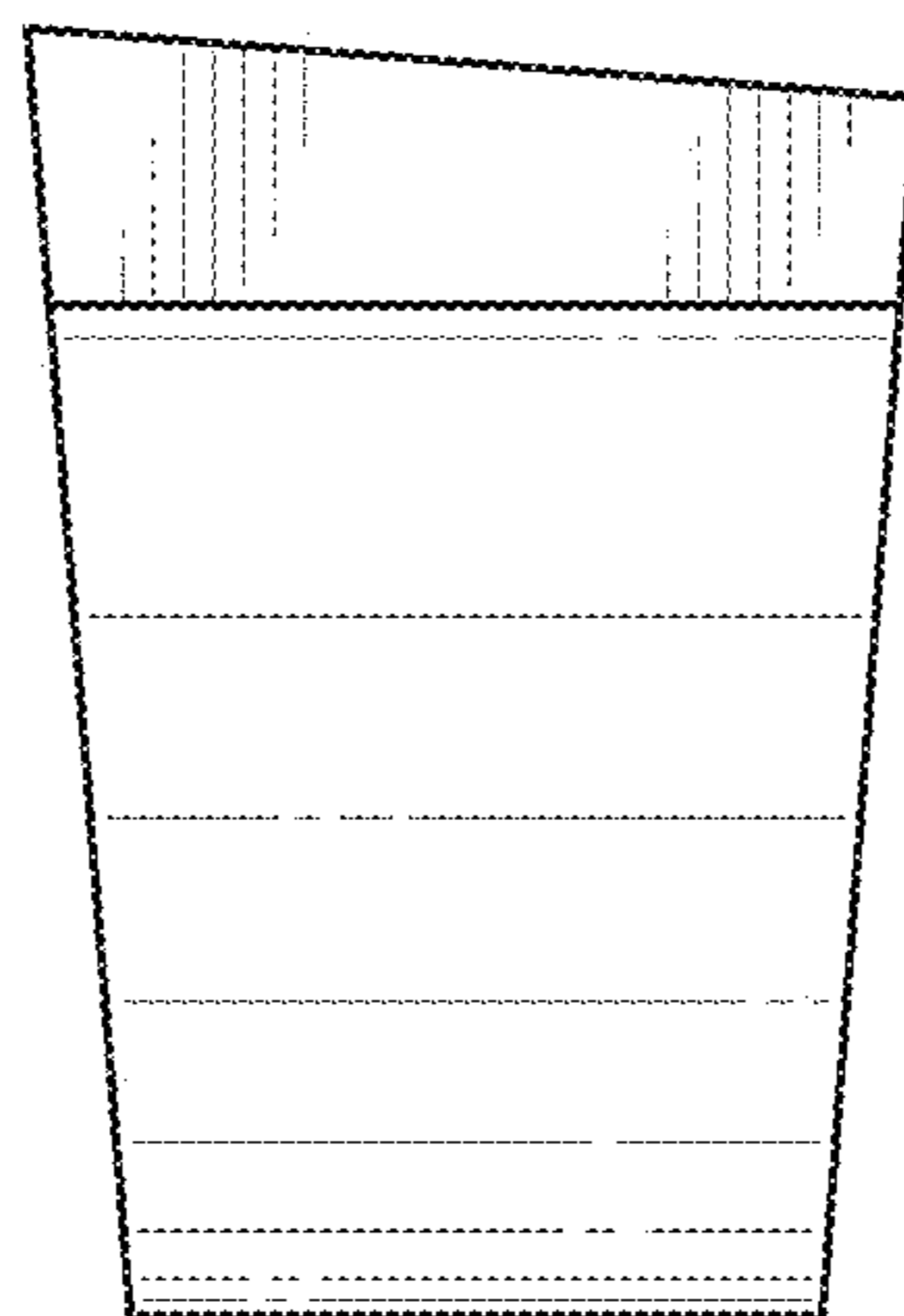


FIG. 6



**FIG. 7**



**FIG. 8**