



US00D918521S

(12) **United States Design Patent** (10) **Patent No.:** **US D918,521 S**
Wang (45) **Date of Patent:** **** May 4, 2021**

(54) **ESCALATOR BALUSTRADE TRANSITION SECTION**

(71) Applicant: **Inventio AG**, Hergiswil (CH)

(72) Inventor: **Jiajie Wang**, Shanghai (CN)

(73) Assignee: **INVENTIO AG**, Hergiswil NW (CH)

(**) Term: **15 Years**

(21) Appl. No.: **29/691,910**

(22) Filed: **May 21, 2019**

(51) **LOC (13) Cl.** **12-05**

(52) **U.S. Cl.**
USPC **D34/30**

(58) **Field of Classification Search**
USPC D34/30
CPC B65G 45/18; B65G 45/22; B65G 45/26;
B66B 23/00; B66B 23/02; B66B 23/04;
B66B 23/028; B66B 31/00; B66B 31/02;
B66B 31/003

See application file for complete search history.

(56) **References Cited**

U.S. PATENT DOCUMENTS

| | | | |
|---------------|---------|-----------------|-----------------------------|
| D140,600 S | 3/1945 | Hohnecker | |
| 3,144,118 A * | 8/1964 | Fabula | B66B 29/02 198/332 |
| D327,558 S * | 6/1992 | Giugiaro | D34/28 |
| 5,156,252 A * | 10/1992 | Mello | B66B 23/22 198/338 |
| D420,189 S | 2/2000 | Kleewein et al. | |

(Continued)

Primary Examiner — Cynthia Ramirez

(74) *Attorney, Agent, or Firm* — William J. Clemens;
Shumaker, Loop & Kendrick, LLP

(57) **CLAIM**

The ornamental design for an escalator balustrade transition section, as shown and described.

DESCRIPTION

FIG. 1 is a right hand perspective view of an escalator including left and right balustrades each with upper and lower escalator balustrade transition sections showing a first embodiment of my new design;

FIG. 2 is an enlarged right side view of the upper left escalator balustrade transition section of FIG. 1 showing my new design, the left side view of the first embodiment upper right escalator balustrade transition section being a mirror image;

FIG. 3 is an enlarged right side view of the lower left escalator balustrade transition section of FIG. 1 showing my new design, the left side view of the first embodiment lower right escalator balustrade transition section being a mirror image;

FIG. 4 is a right hand perspective view of an escalator including left and right balustrades each with upper and lower escalator balustrade transition sections showing a second embodiment of my new design;

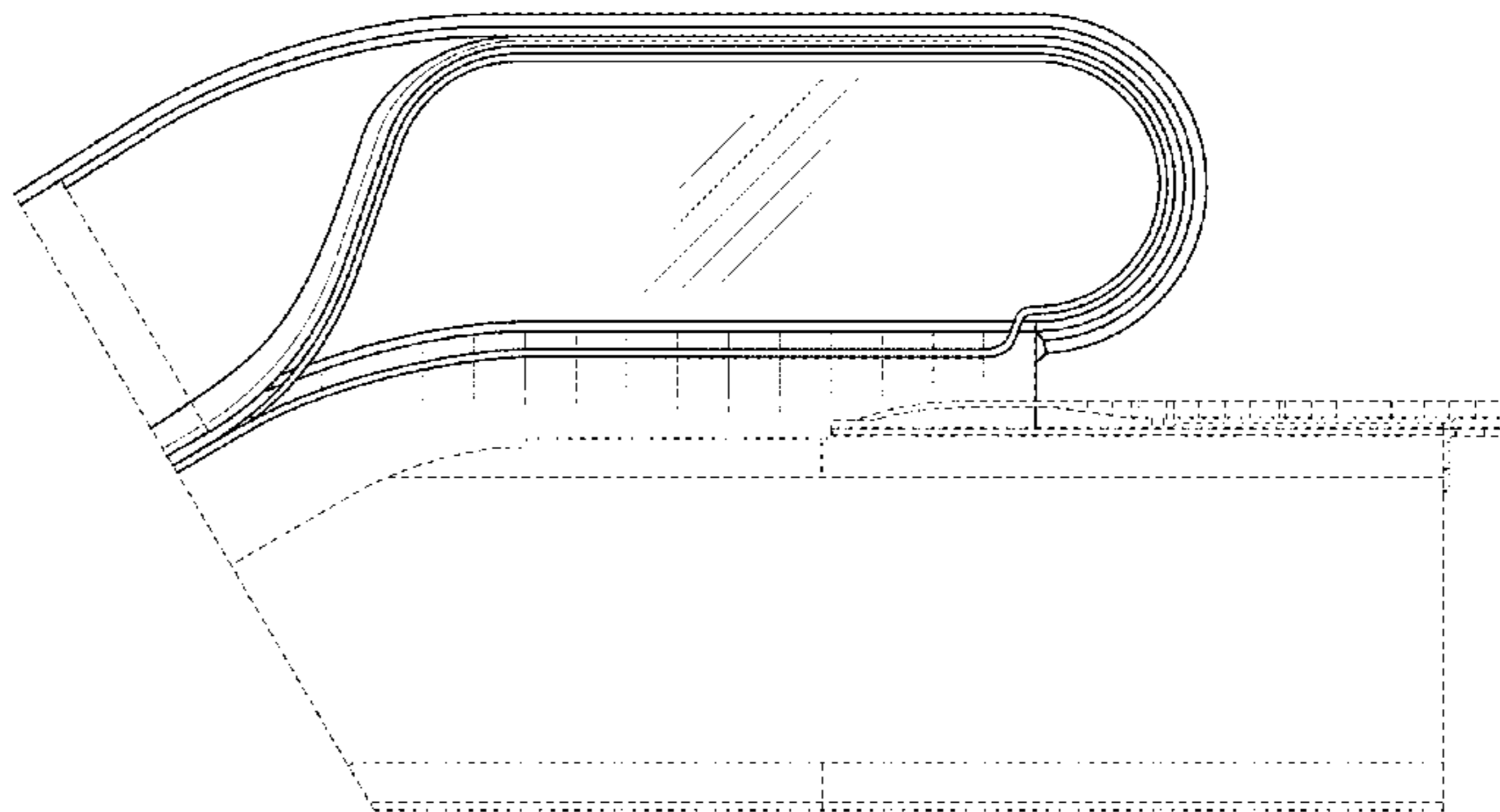
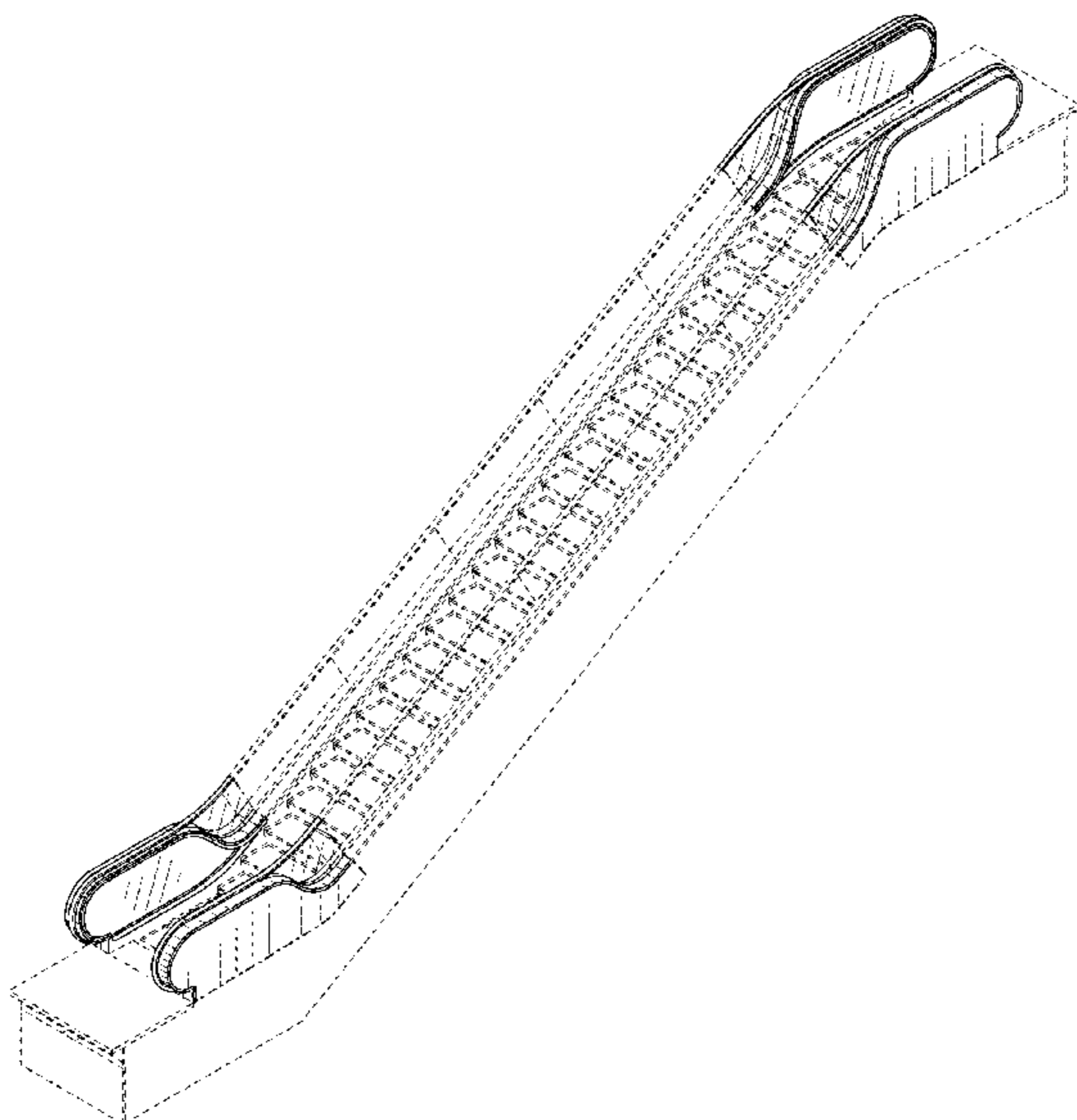
FIG. 5 is an enlarged right side view of the upper left escalator balustrade transition section of FIG. 4 showing my new design, the left side view of the second embodiment upper right escalator balustrade transition section being a mirror image;

FIG. 6 is an enlarged right side view of the lower left escalator balustrade transition section of FIG. 4 showing my new design, the left side view of the second embodiment lower right escalator balustrade transition section being a mirror image; and,

FIG. 7 is a right side elevation view of the first embodiment escalator of FIG. 1 and the second embodiment escalator of FIG. 4 showing my new design, the left side elevation view being a mirror image.

The broken lines in the figures show portions of the escalator balustrade transition section, which form no part of the claimed design. The dash-dot broken lines in the figures shown boundaries, and form no part of the claimed design.

1 Claim, 7 Drawing Sheets



(56)

References Cited

U.S. PATENT DOCUMENTS

6,530,465 B1 * 3/2003 Lauch B66B 29/06
198/325
D490,956 S * 6/2004 Sansevero D34/30
D508,598 S 8/2005 Jarvis et al.
D551,419 S 9/2007 Kleewein et al.
D563,622 S 3/2008 Im
D647,681 S 10/2011 Naulapaa et al.
D753,365 S 4/2016 Illedits et al.
D796,148 S 8/2017 Illedits et al.
2002/0162726 A1 * 11/2002 Henkel H02P 23/0077
198/330
2002/0175039 A1 * 11/2002 Fargo B66B 23/00
198/321
2003/0127301 A1 * 7/2003 Lauch B66B 29/06
198/321
2005/0118400 A1 * 6/2005 McLeod B29C 66/81422
428/195.1
2019/0298873 A1 * 10/2019 Cajauskis A61L 2/202
2020/0048050 A1 * 2/2020 Singaraju B66B 29/005
2020/0299106 A1 * 9/2020 Novacek B66B 23/00

* cited by examiner

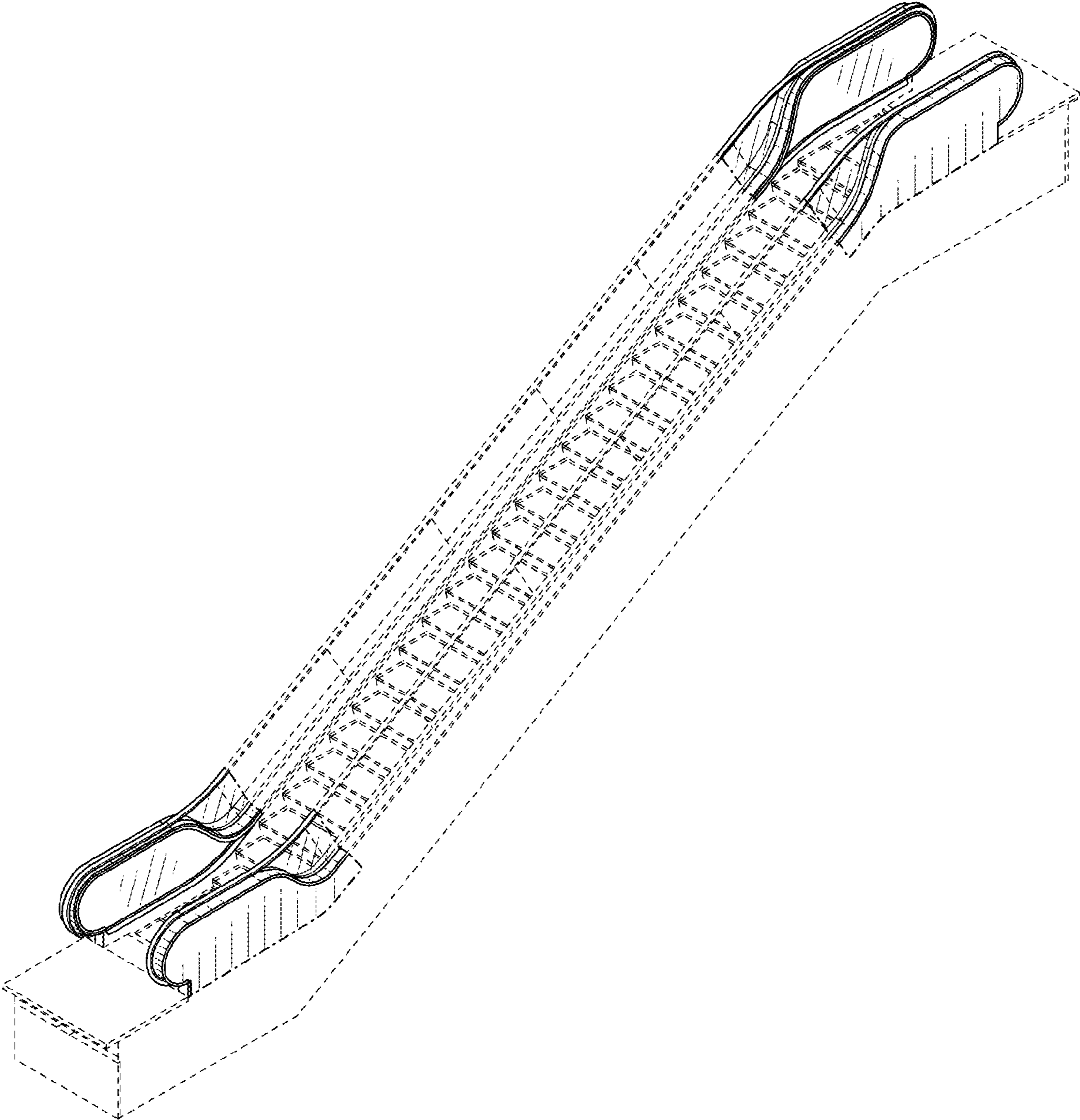


FIG. 1

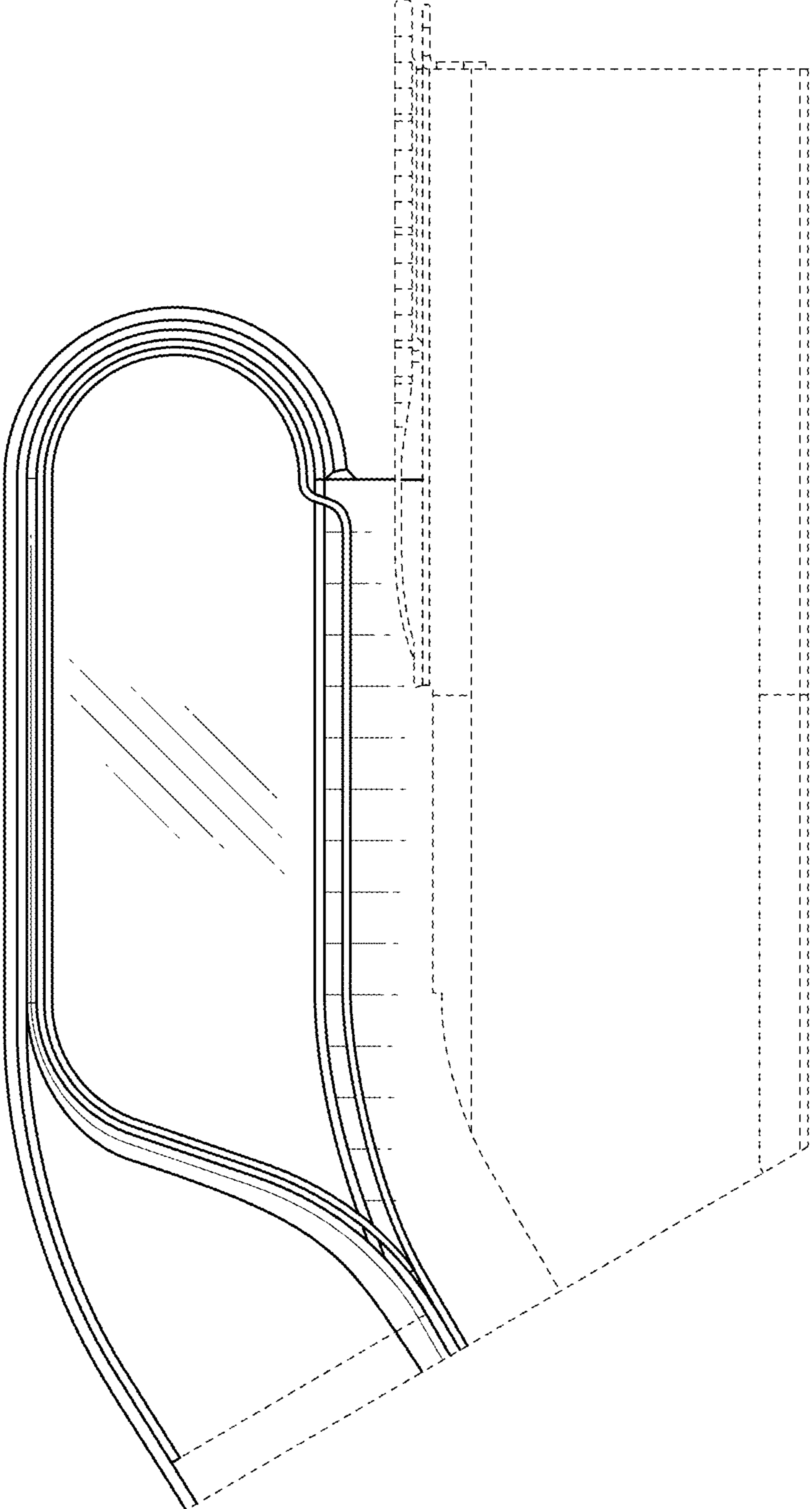


FIG. 2

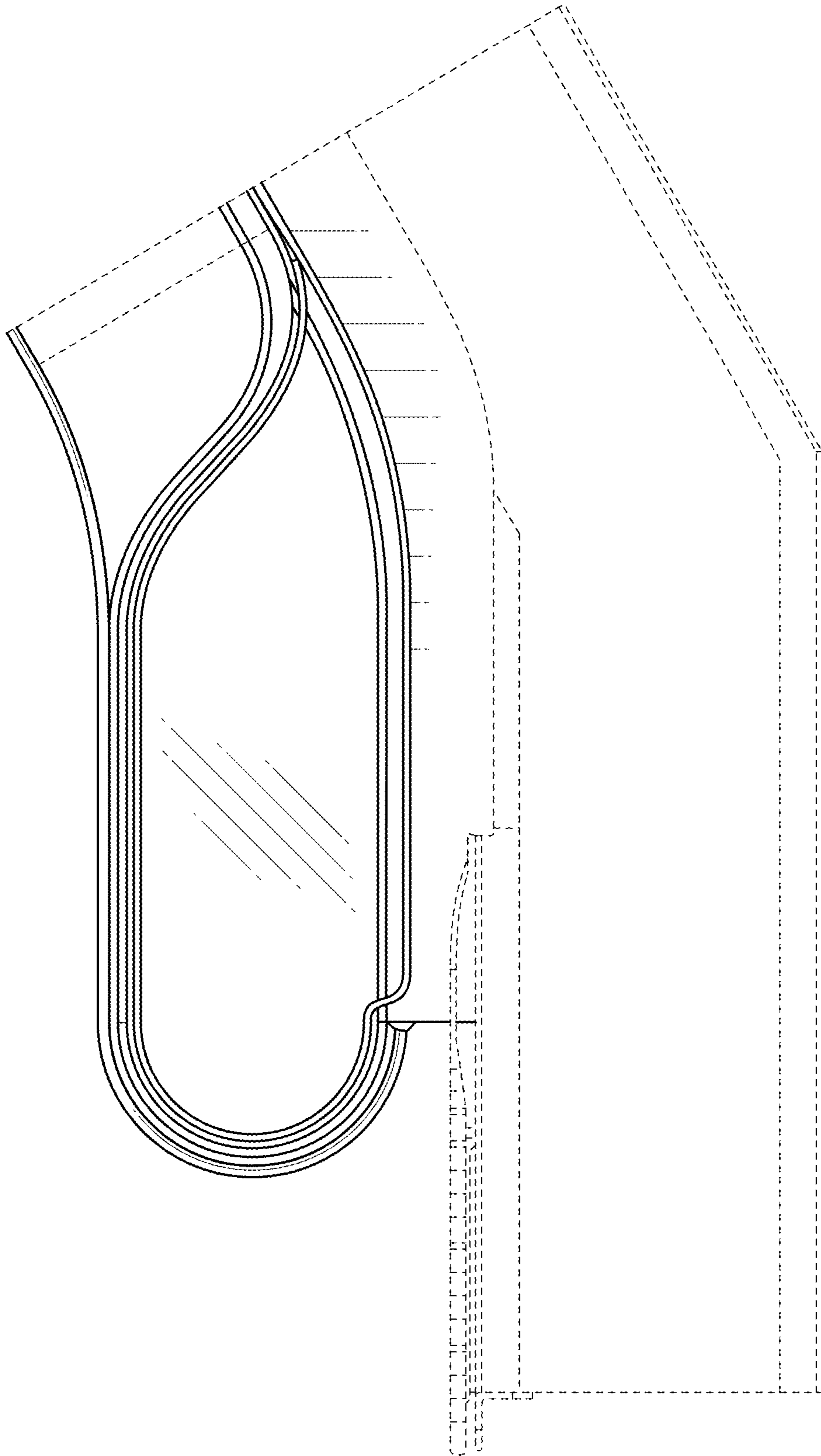


FIG. 3

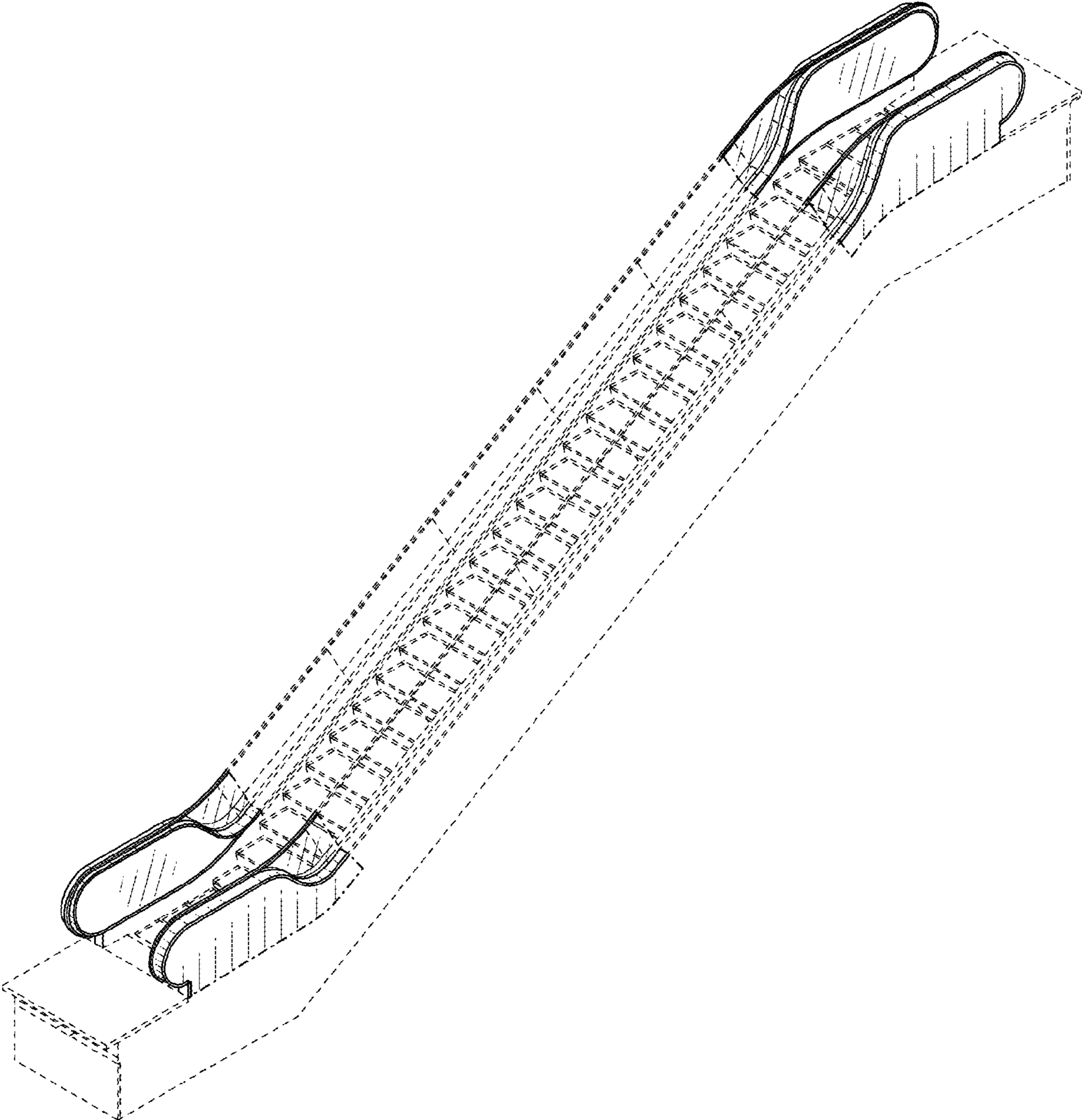


FIG. 4

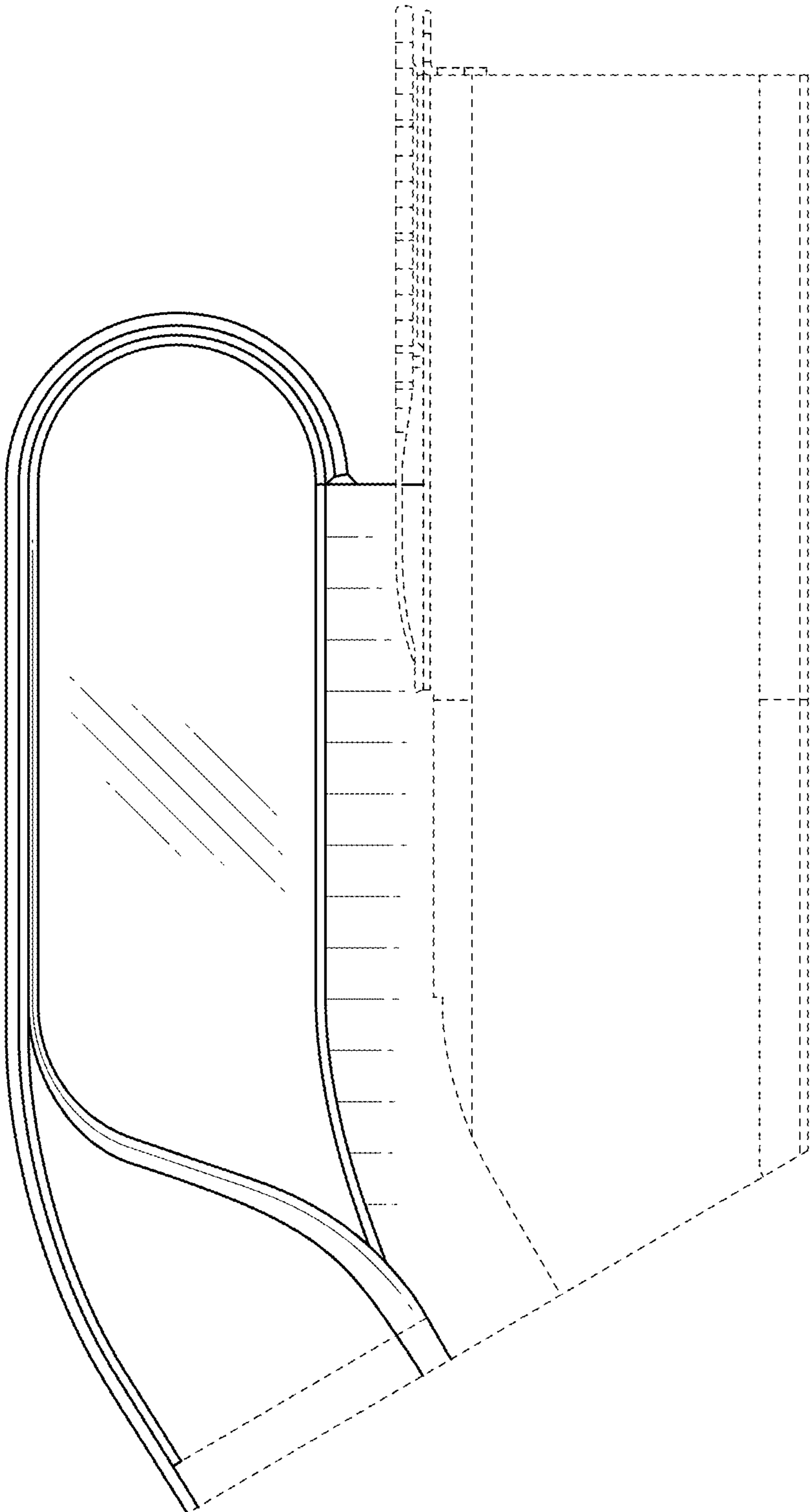


FIG. 5

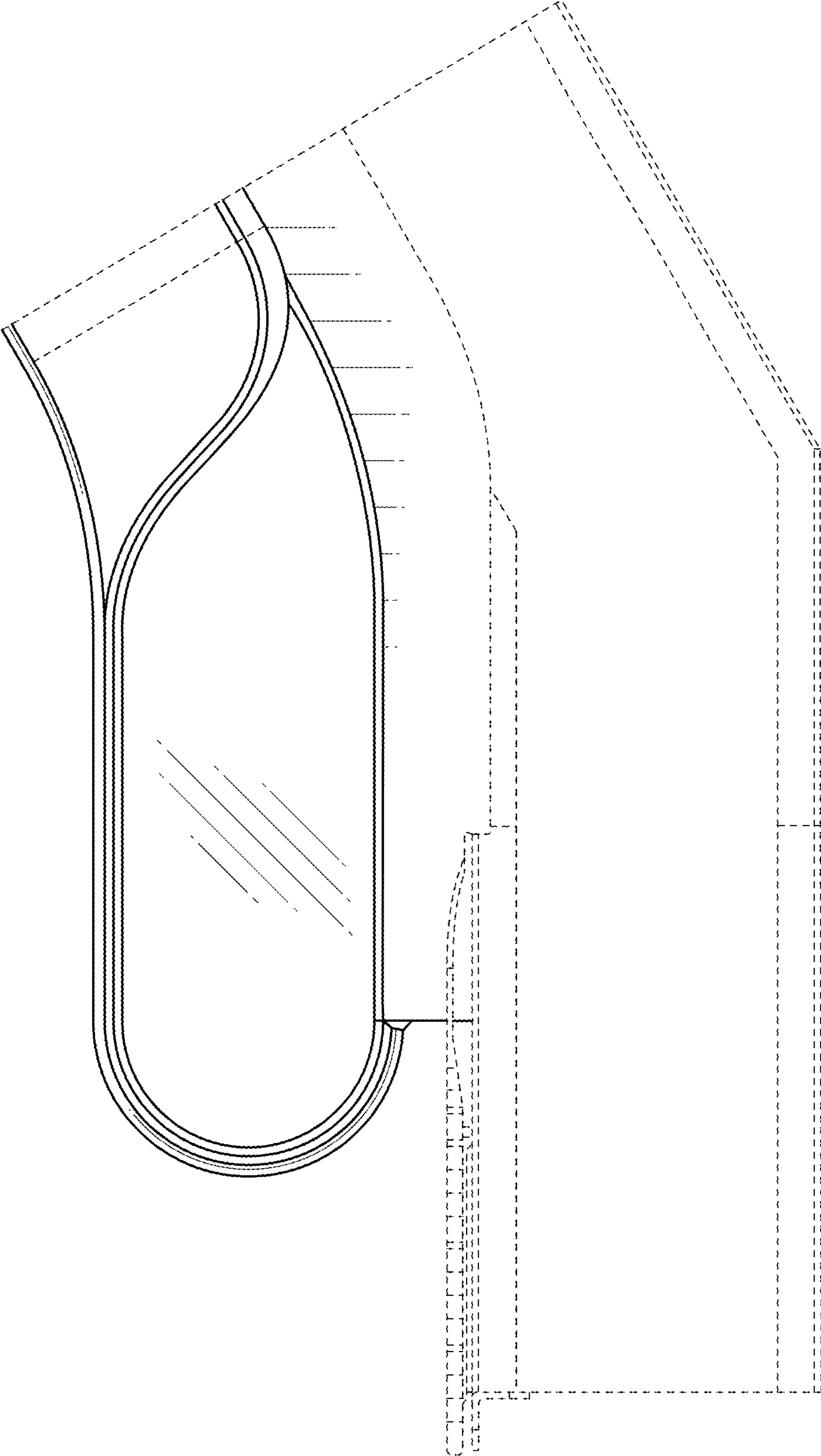


FIG. 6

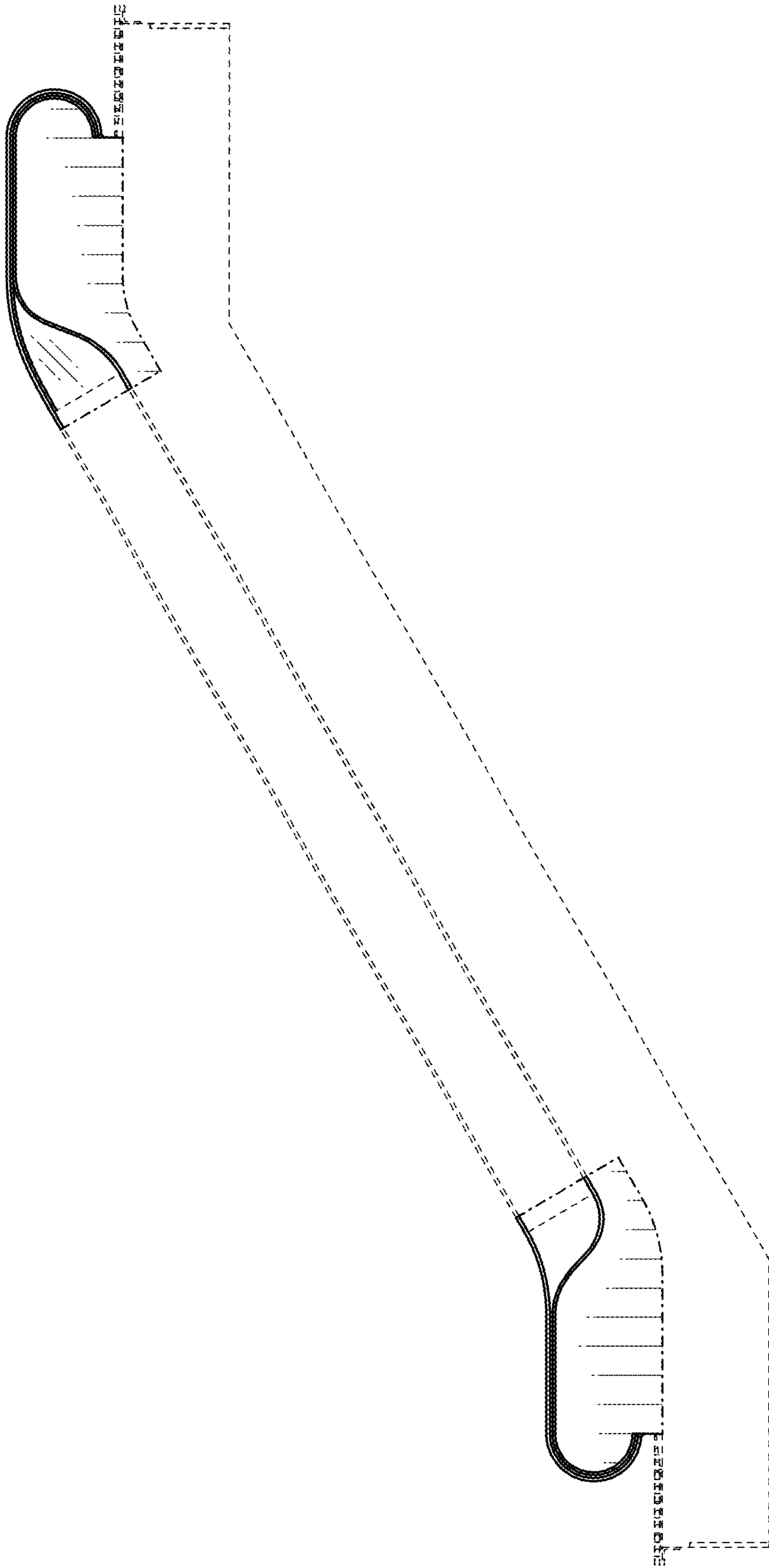


FIG. 7