

US00D918518S

(12) **United States Design Patent**
Li

(10) **Patent No.:** **US D918,518 S**

(45) **Date of Patent:** **** May 4, 2021**

- (54) **CART**
- (71) Applicant: **39F USA INC**, Rancho Cucamonga, CA (US)
- (72) Inventor: **Yuehai Li**, Rancho Cucamonga, CA (US)
- (**) Term: **15 Years**
- (21) Appl. No.: **29/727,078**
- (22) Filed: **Mar. 9, 2020**
- (51) **LOC (13) Cl.** **12-02**
- (52) **U.S. Cl.**
USPC **D34/12**
- (58) **Field of Classification Search**
USPC D34/12-27
CPC .. B62B 3/00; B62B 3/02; B62B 3/002; B62B 3/14; B62B 3/001; B62B 3/022; B62B 3/027; B62B 3/12; B62B 3/005; B62B 3/1404; B62B 1/12; B62B 5/0438; B60B 29/00; B60B 29/002; B66F 9/12; B66F 9/18; B66F 9/19; B66F 9/20
See application file for complete search history.

D226,809 S *	5/1973	Cummings	D34/21
3,768,676 A *	10/1973	Spitzer	B66F 19/00 414/459
3,908,562 A *	9/1975	Wittschen	B62B 3/02 280/79.11
D238,663 S *	2/1976	Schifman	D34/22
D246,880 S *	1/1978	Miola	D24/183
D267,243 S *	12/1982	Jemas	D34/21
D293,148 S *	12/1987	Wedel	280/47.19
D296,143 S *	6/1988	Bettess	280/47.35
D410,127 S *	5/1999	Colomban	D34/21
D486,618 S *	2/2004	Crosco, Sr.	D34/17
D733,385 S *	6/2015	Spates	D34/20
D857,326 S *	8/2019	Hu	D34/21
D878,700 S *	3/2020	Dardashti	D34/14
D887,663 S *	6/2020	Otto	D34/21
2007/0289788 A1 *	12/2007	Salmon	B62D 51/02 180/19.3

* cited by examiner

Primary Examiner — Cynthia Ramirez
(74) *Attorney, Agent, or Firm* — Feng Qian

(57) **CLAIM**

The ornamental design for a cart, as shown and described.

DESCRIPTION

FIG. 1 is a front perspective view of a cart showing my new design;
FIG. 2 is a front elevation view thereof;
FIG. 3 is a rear elevation view thereof;
FIG. 4 is a left-side elevation view thereof;
FIG. 5 is a right-side elevation view thereof;
FIG. 6 is a top plan view thereof; and,
FIG. 7 is a rear plan view thereof.

1 Claim, 7 Drawing Sheets

(56) **References Cited**
U.S. PATENT DOCUMENTS

D181,412 S *	11/1957	Fox	D6/407
2,926,022 A *	2/1960	Nau	B62B 3/006 280/79.3
D192,986 S *	6/1962	Carter	D12/132
D199,670 S *	12/1964	Inglis	D34/21
D221,748 S *	9/1971	Bloomfield	D34/21
D222,633 S *	11/1971	Carter et al.	D34/21

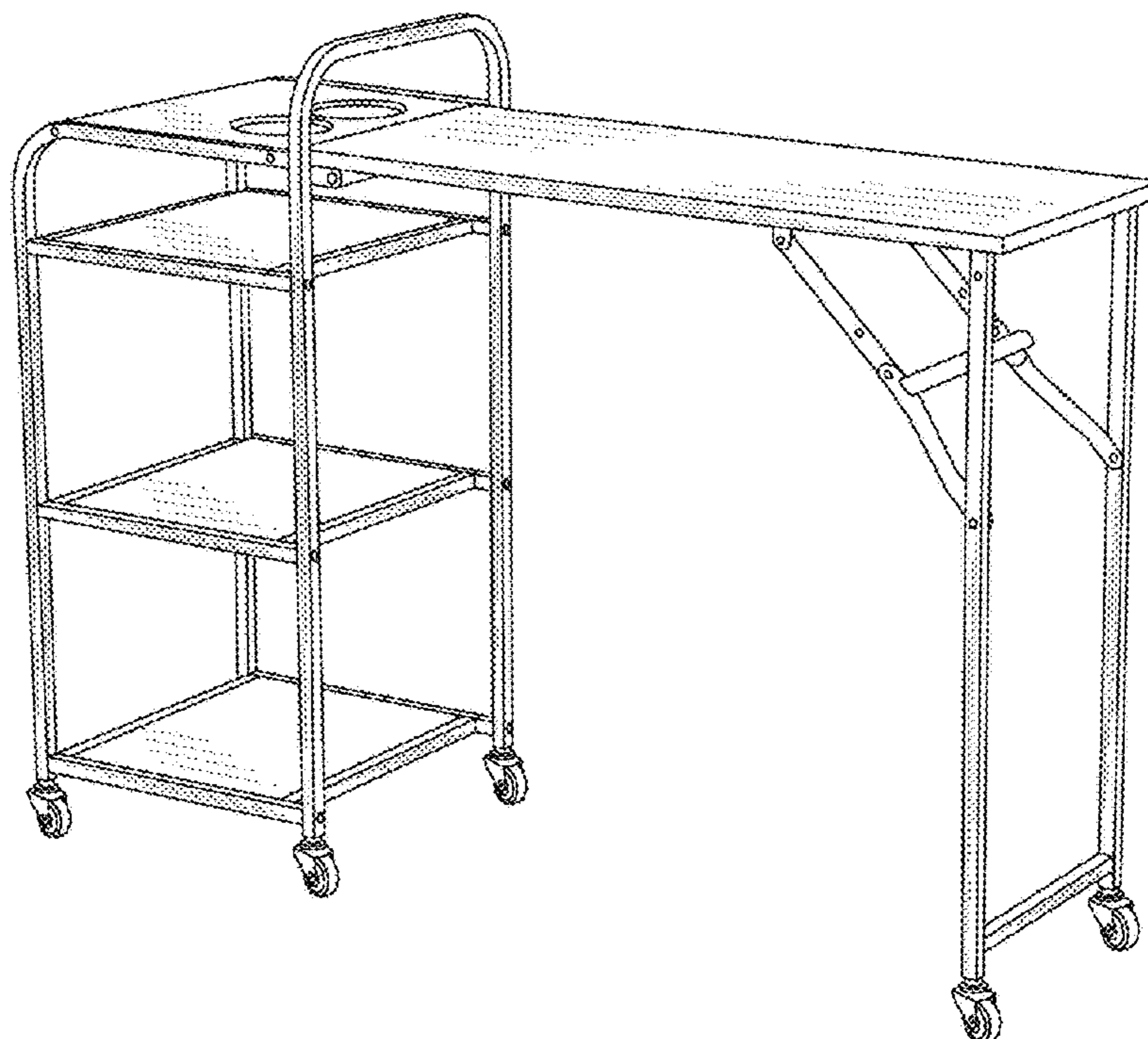




Fig.1

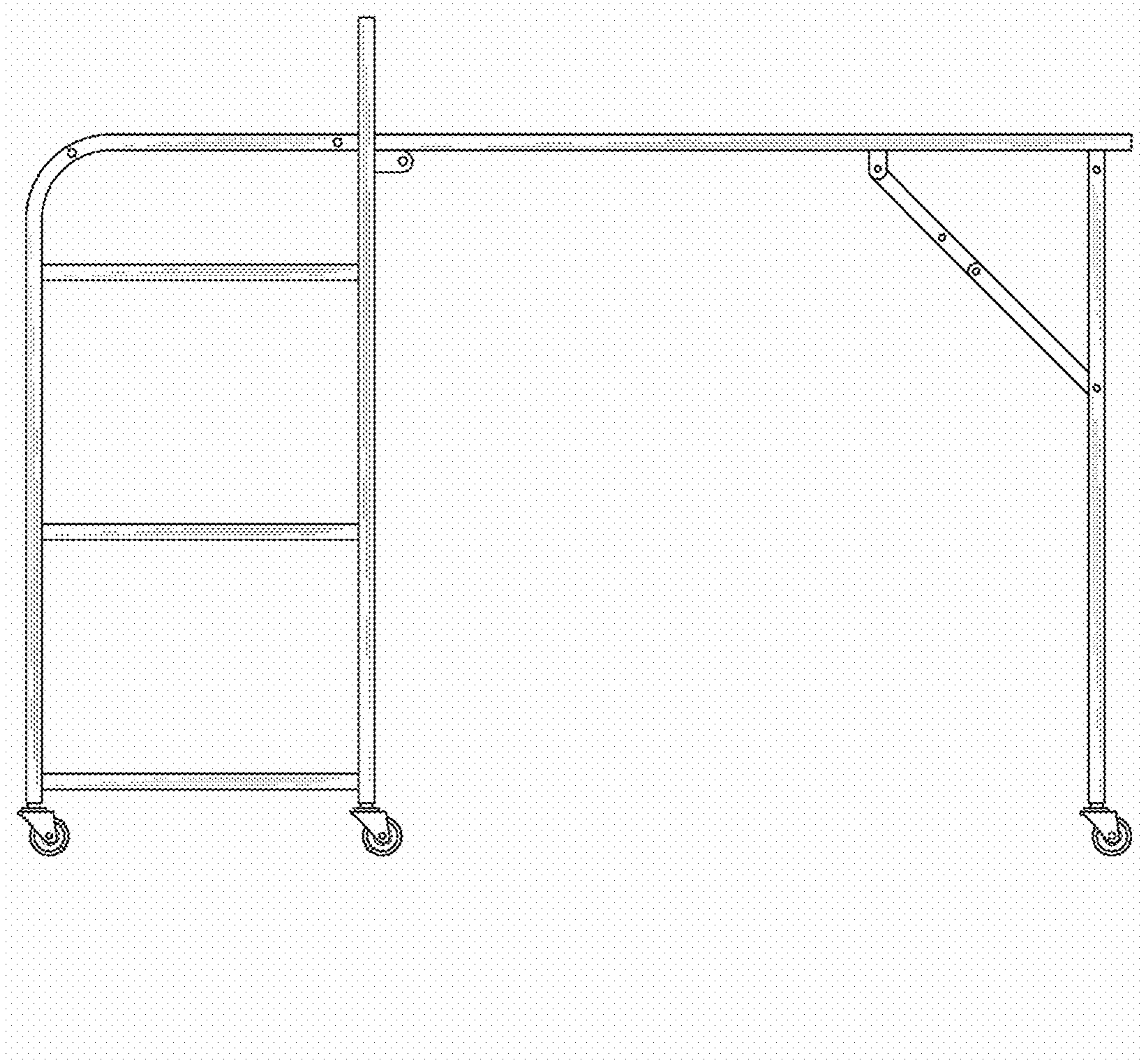


Fig.2

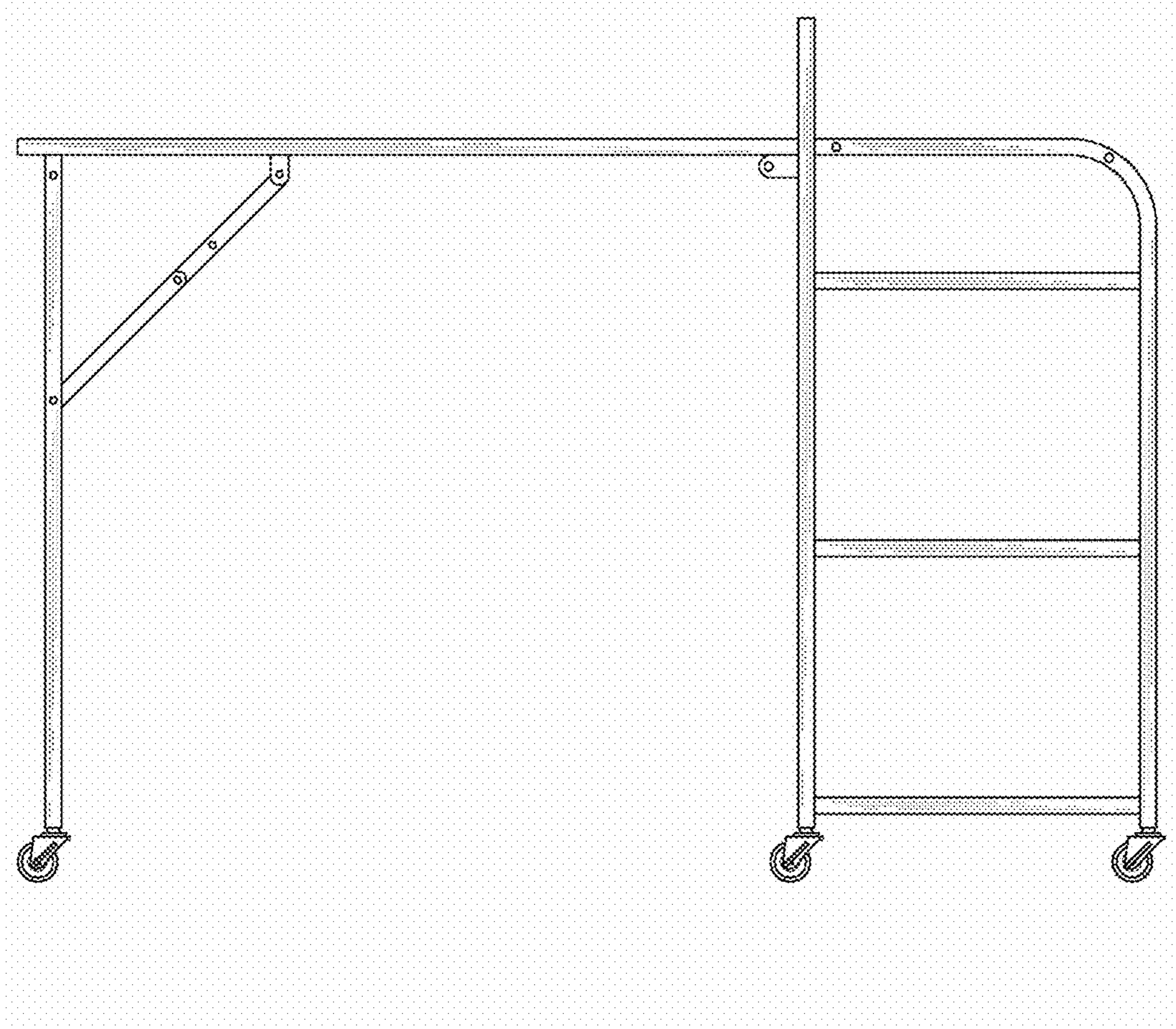


Fig.3

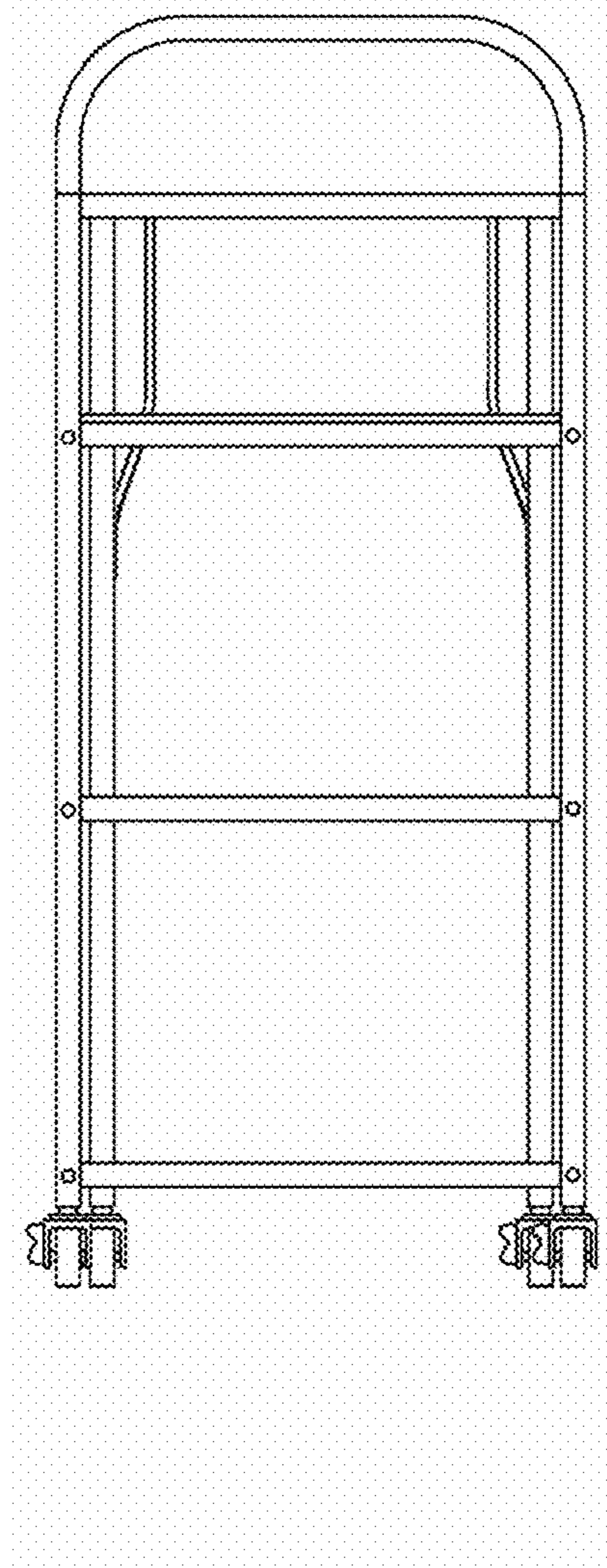


Fig.4

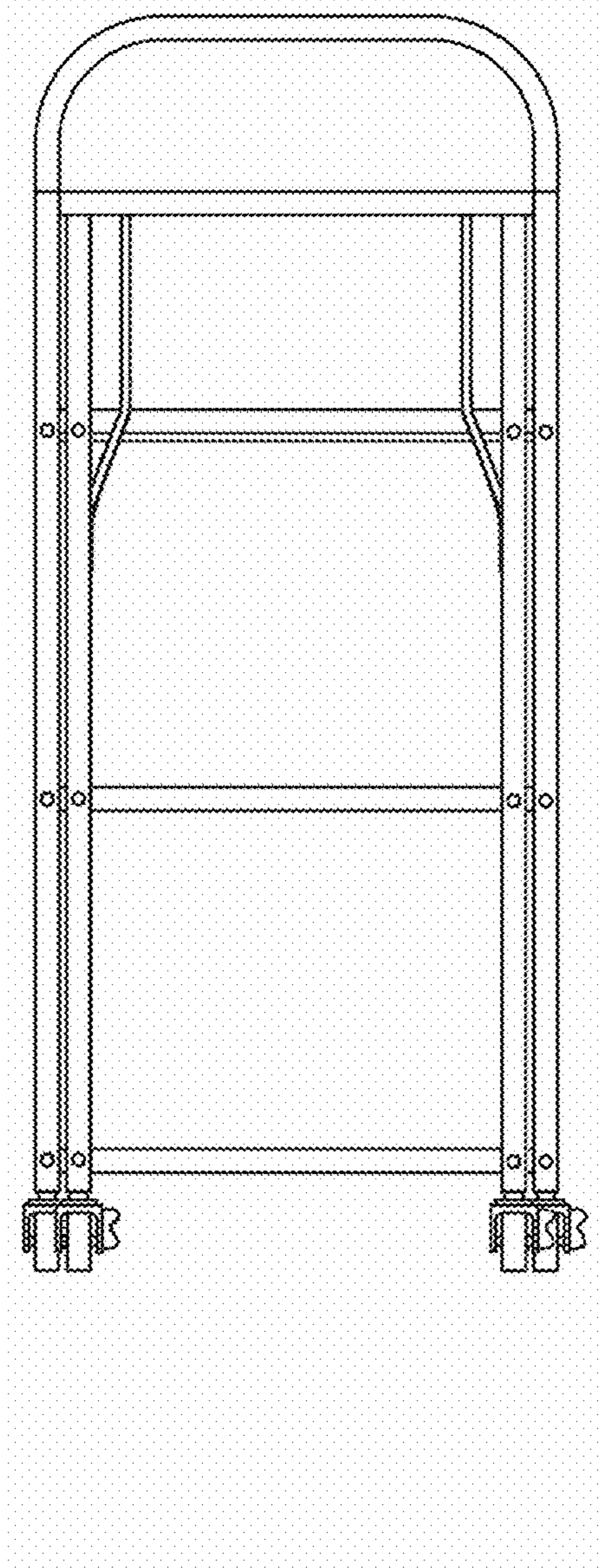


Fig.5

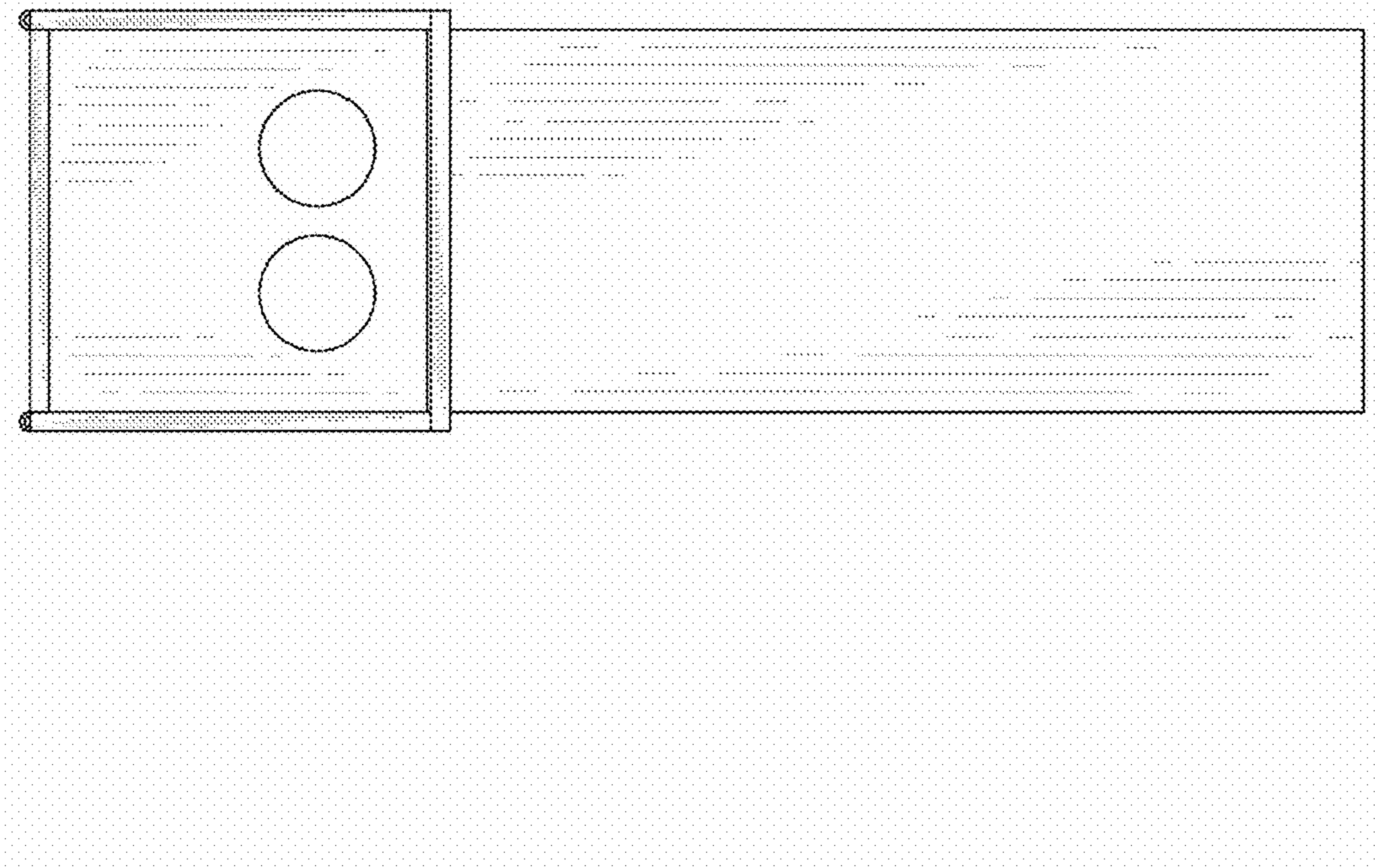


Fig.6

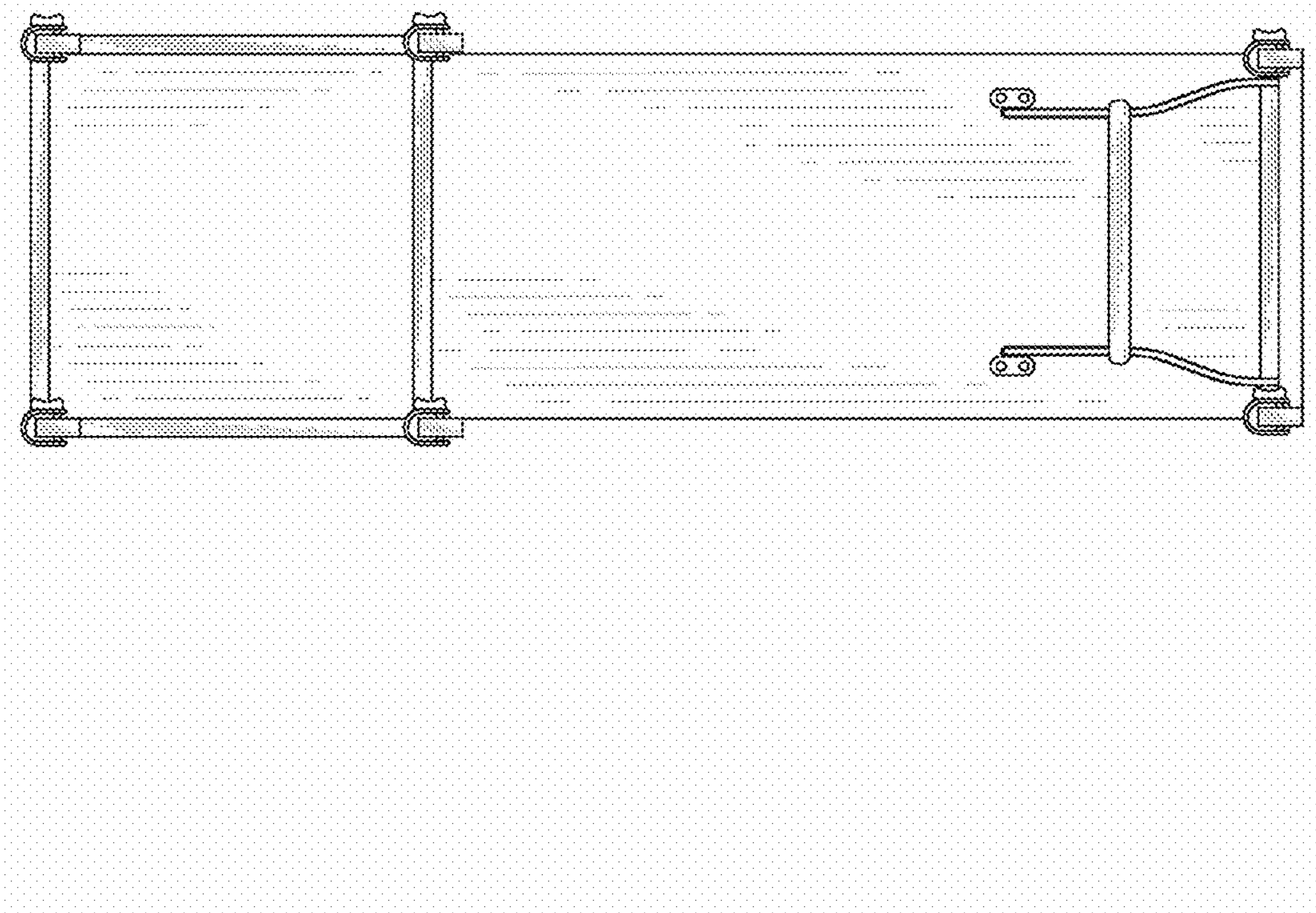


Fig.7