



US00D918513S

(12) **United States Design Patent**
Morgan

(10) **Patent No.:** **US D918,513 S**

(45) **Date of Patent:** **** May 4, 2021**

(54) **SHOVEL BUCKET**

(71) Applicant: **Robert Morgan**, St Petersburg, FL
(US)

(72) Inventor: **Robert Morgan**, St Petersburg, FL
(US)

(**) Term: **15 Years**

(21) Appl. No.: **29/697,606**

(22) Filed: **Jul. 10, 2019**

(51) **LOC (13) Cl.** **07-05**

(52) **U.S. Cl.**
USPC **D32/53**

(58) **Field of Classification Search**
USPC D9/447; D24/121; D32/53, 54, 74;
D34/1, 10
CPC A47L 13/52; B65F 1/14; B65F 1/06; B65F
1/10; E01H 1/12; F24B 15/007; B44D
3/128; B65D 25/48; B65B 67/04; A61B
10/0045

See application file for complete search history.

(56) **References Cited**

U.S. PATENT DOCUMENTS

- 335,776 A * 2/1886 Rock F24B 15/007
209/353
- D132,178 S * 4/1942 Holslag D34/1
- 4,312,531 A * 1/1982 Cross E01H 1/12
141/108
- 4,802,258 A * 2/1989 Jensen A47L 13/52
141/108
- D351,699 S * 10/1994 Temple D34/1
- D386,861 S * 11/1997 Sutton D32/53
- D389,626 S * 1/1998 Lundy D32/53
- 7,025,733 B2 * 4/2006 McQuaid A61B 10/0045
220/731
- 7,131,552 B2 * 11/2006 Simonson B65F 1/06
220/495.06
- 7,185,783 B1 * 3/2007 Miller B65F 1/14
206/515
- D544,310 S * 6/2007 Smigiel D32/53

- D645,560 S * 9/2011 Green D24/121
- D654,360 S * 2/2012 Traxler D9/447
- 8,291,543 B2 * 10/2012 McCoy A47L 13/52
15/257.1
- 8,757,453 B1 * 6/2014 Olsson B65D 25/48
222/570
- D738,057 S * 9/2015 Arvinte D32/53.1
- D739,107 S * 9/2015 Brandon D32/53
- D740,508 S * 10/2015 Brandon D32/53
- D769,563 S * 10/2016 Garcia D32/74
- D802,865 S * 11/2017 Dervin D34/10

(Continued)

OTHER PUBLICATIONS

Scoop Bucket <https://www.aliexpress.com/item/32922315813.html>
(Year: 2020).*

(Continued)

Primary Examiner — Michelle E. Wilson
Assistant Examiner — Richard E Yenchesky
(74) *Attorney, Agent, or Firm* — Sanchelima &
Associates, P.A.; Christian Sanchelima; Alexander
Rodriguez

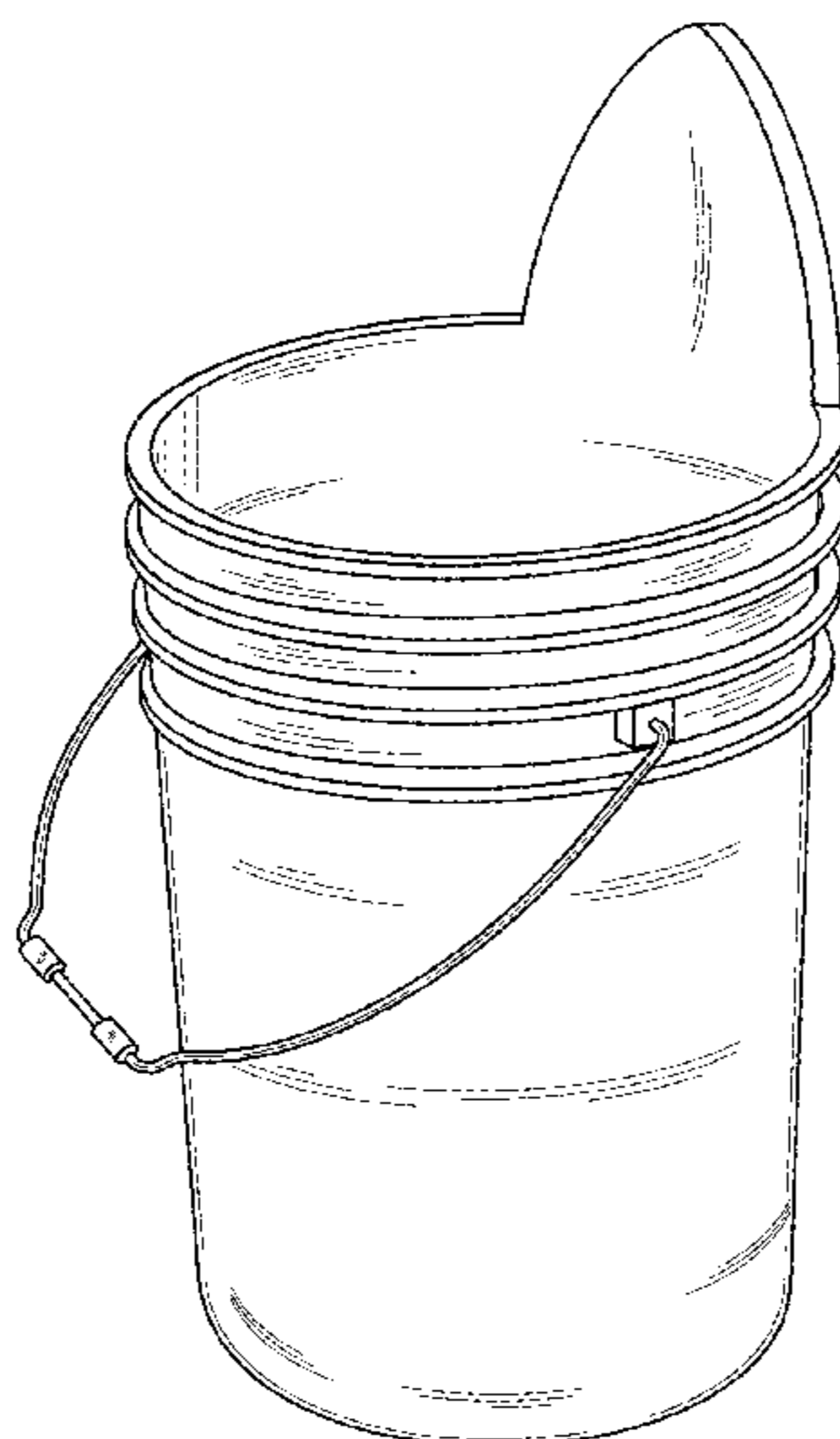
(57) **CLAIM**

The ornamental design for a shovel bucket, as shown and described.

DESCRIPTION

FIG. 1 is an isometric top view of a shovel bucket showing my new design;
FIG. 2 is an isometric front view thereof;
FIG. 3 is a front view thereof;
FIG. 4 is a rear view thereof;
FIG. 5 is a left side view thereof;
FIG. 6 is a right side view thereof;
FIG. 7 is a top view thereof; and,
FIG. 8 is a bottom view thereof showing my design.

1 Claim, 5 Drawing Sheets



(56)

References Cited

U.S. PATENT DOCUMENTS

10,029,849 B1 * 7/2018 Genotti, III B65B 67/04
D826,504 S * 8/2018 Garcia D32/74
10,301,109 B2 * 5/2019 Dervin A47L 13/52
D887,659 S * 6/2020 Gayeski D32/54
2004/0173622 A1 * 9/2004 Findleton B44D 3/128
220/695
2015/0274416 A1 * 10/2015 Garcia B65F 1/10
220/200

OTHER PUBLICATIONS

Garden Tools Bucket Shovel <https://www.smithpro.com/p/EJSZD-KYOBT/garden-tools-bucket-shovel-mini-fleshy-plant-plastic-spade> (Year: 2020).*

* cited by examiner

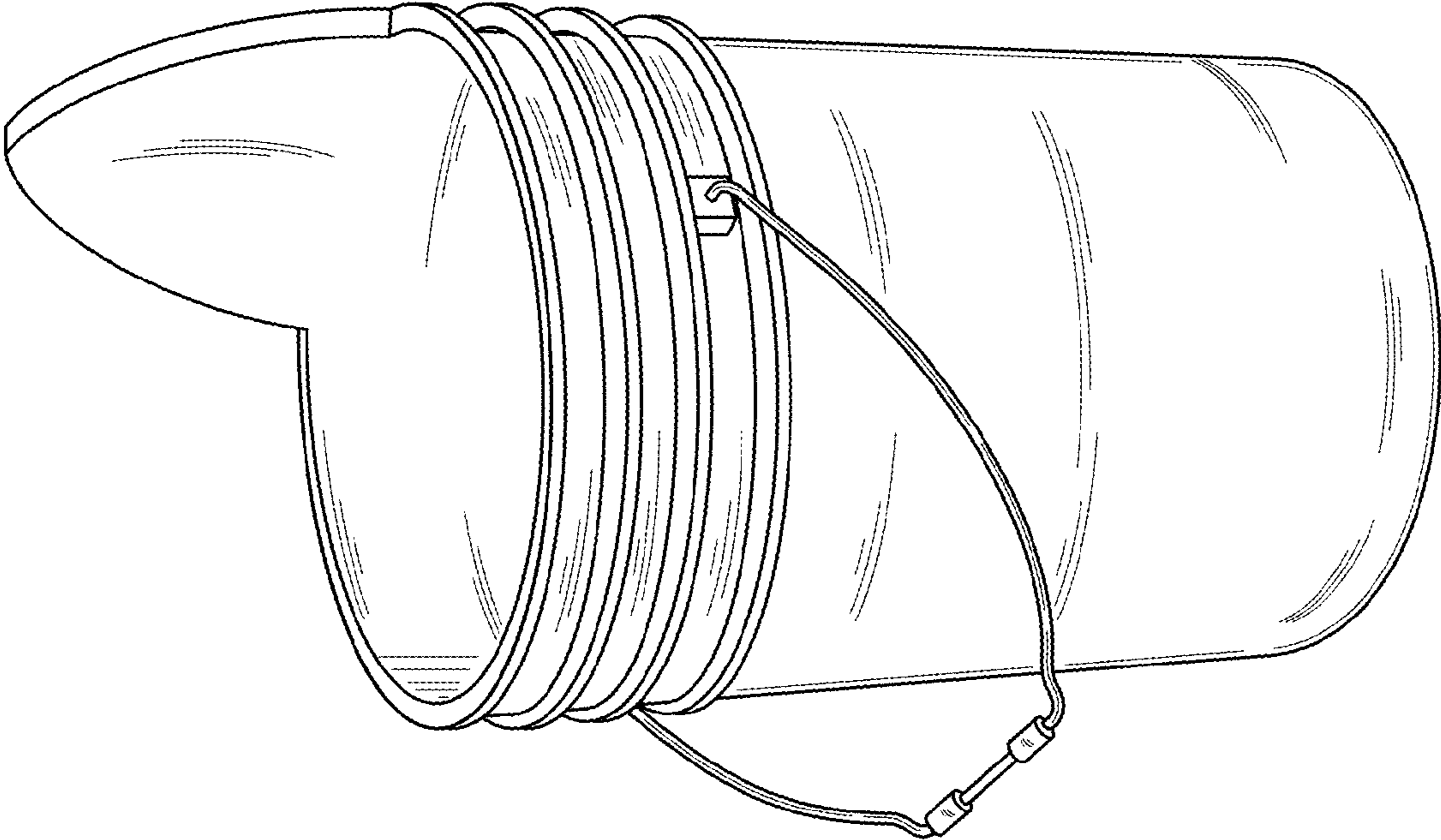


FIG. 1

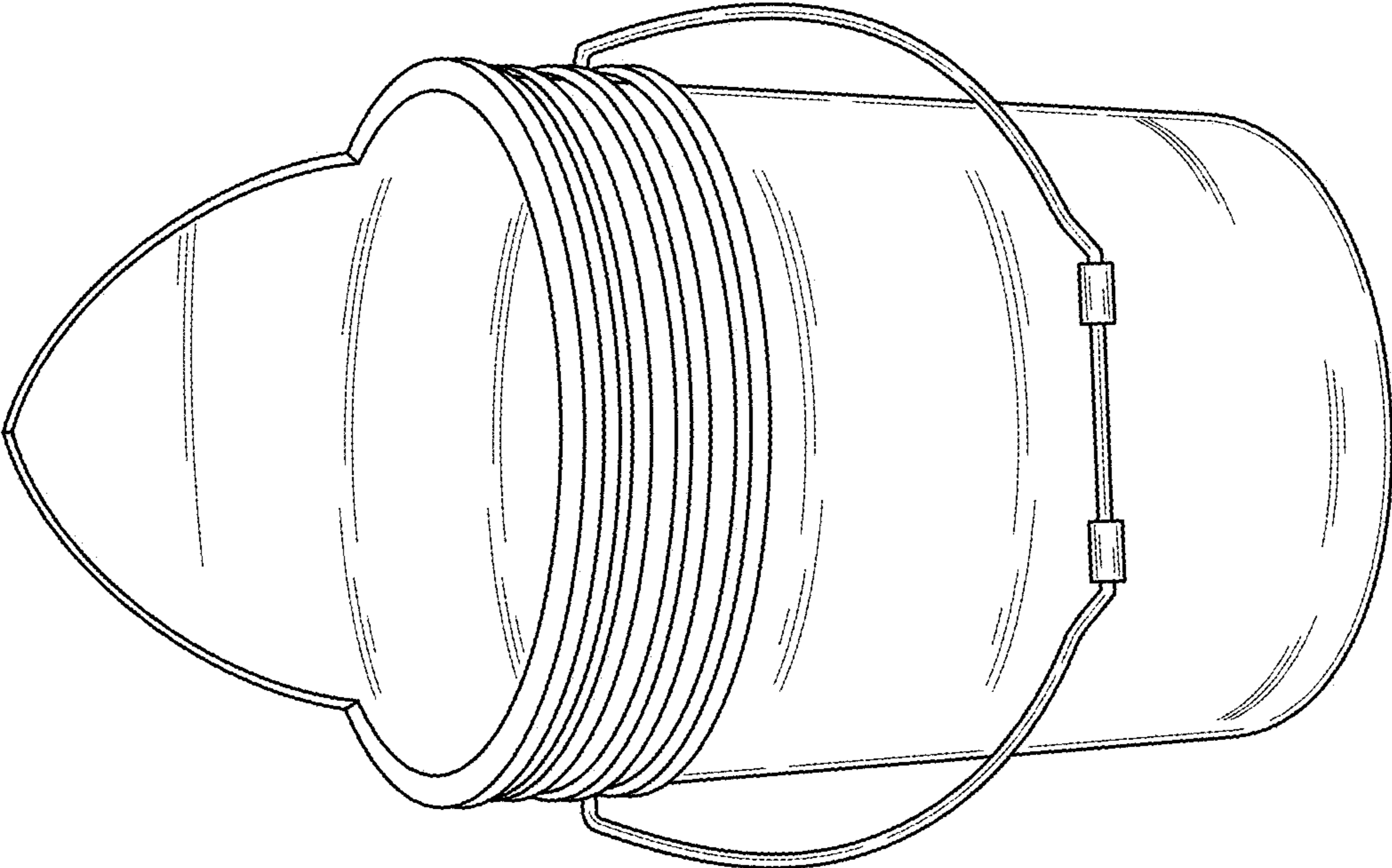


FIG. 2

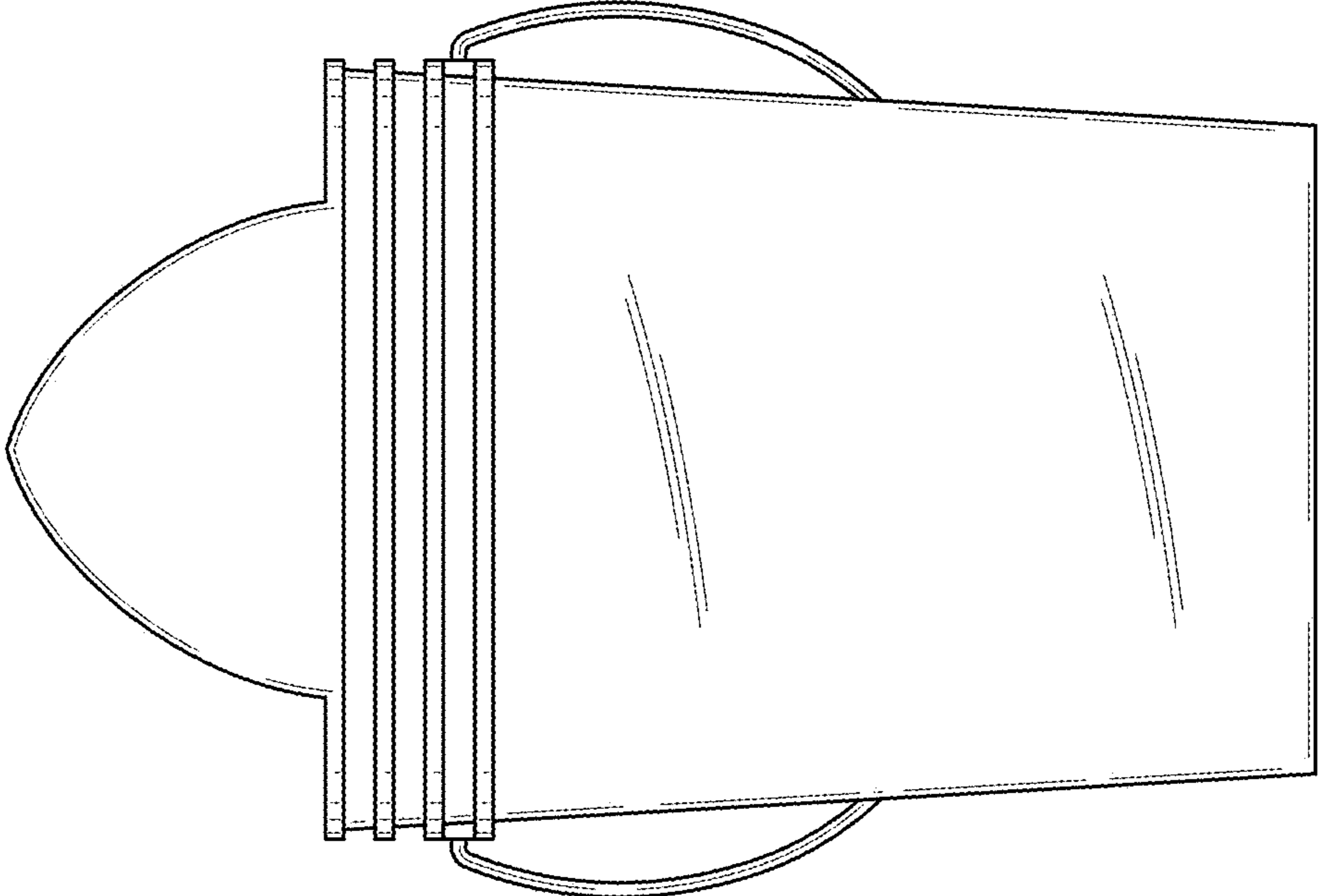


FIG. 4

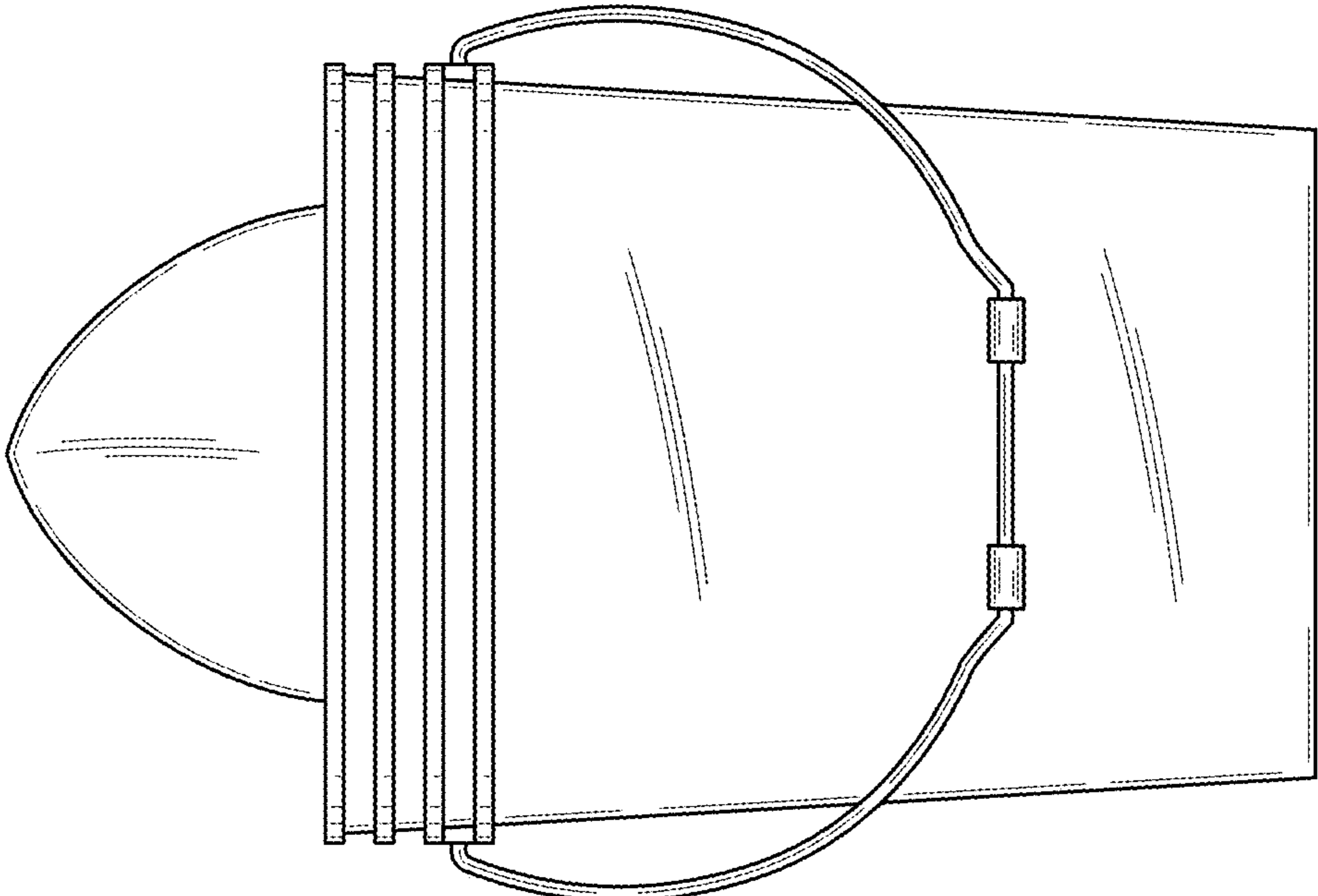


FIG. 3

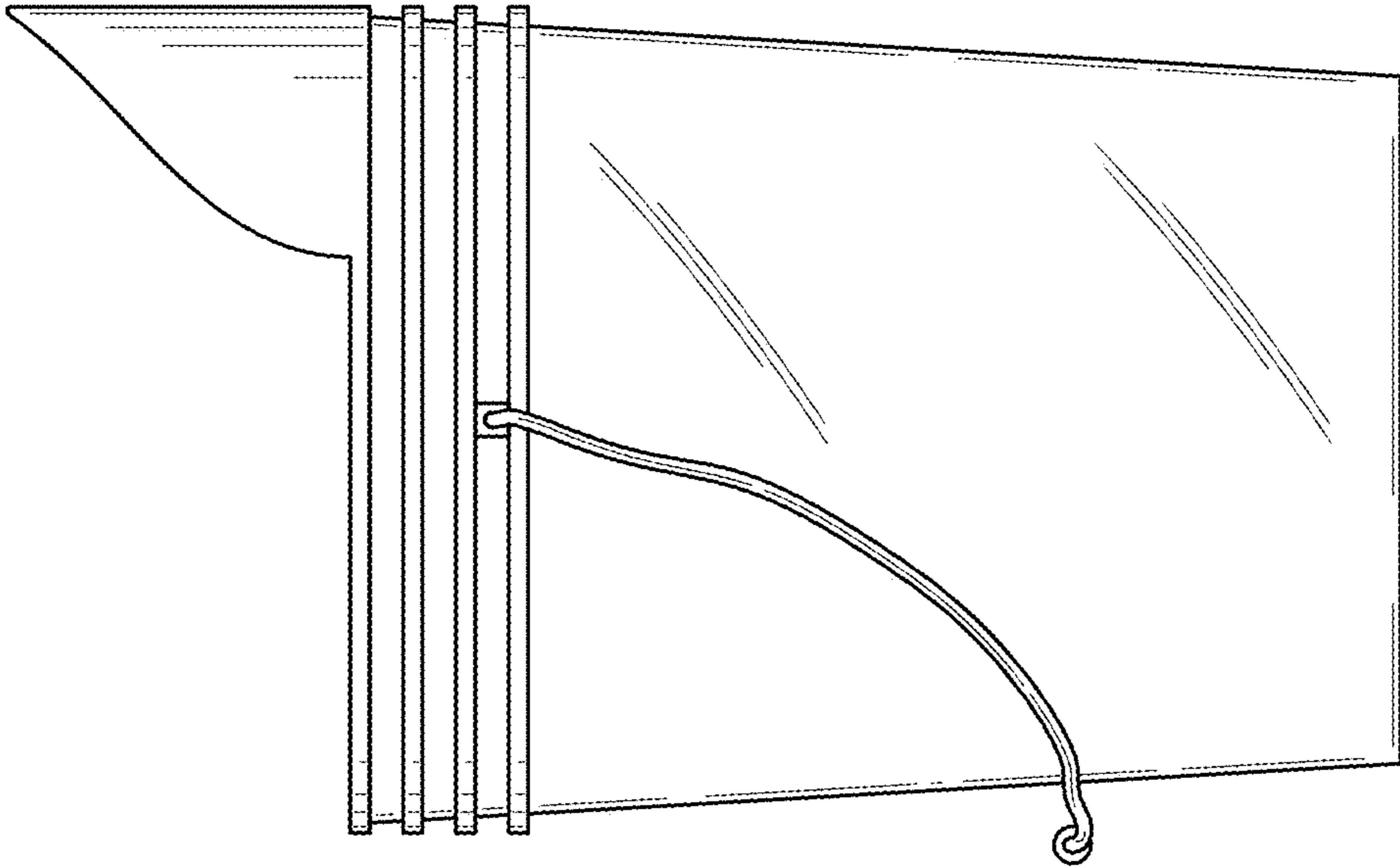


FIG. 6

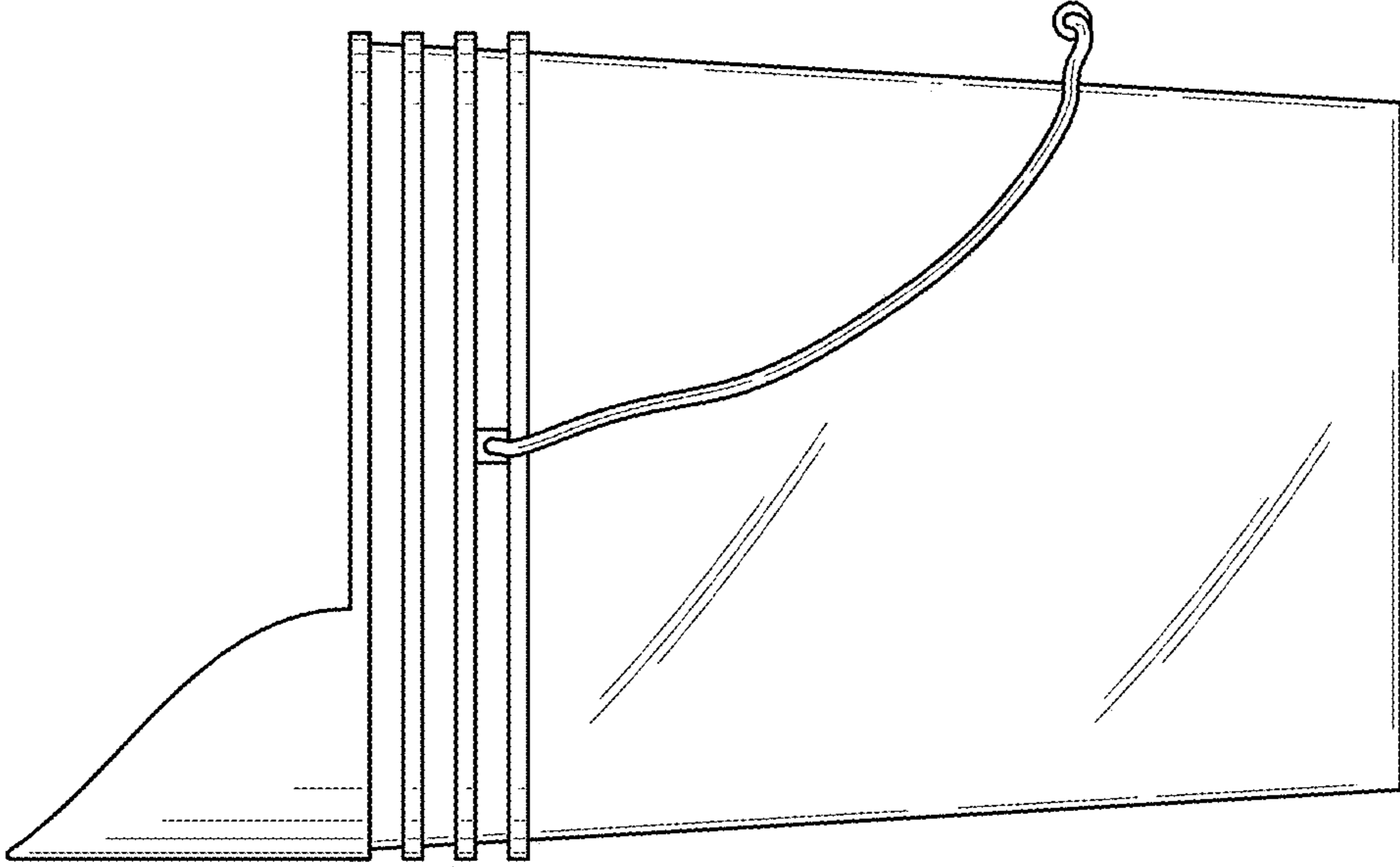


FIG. 5

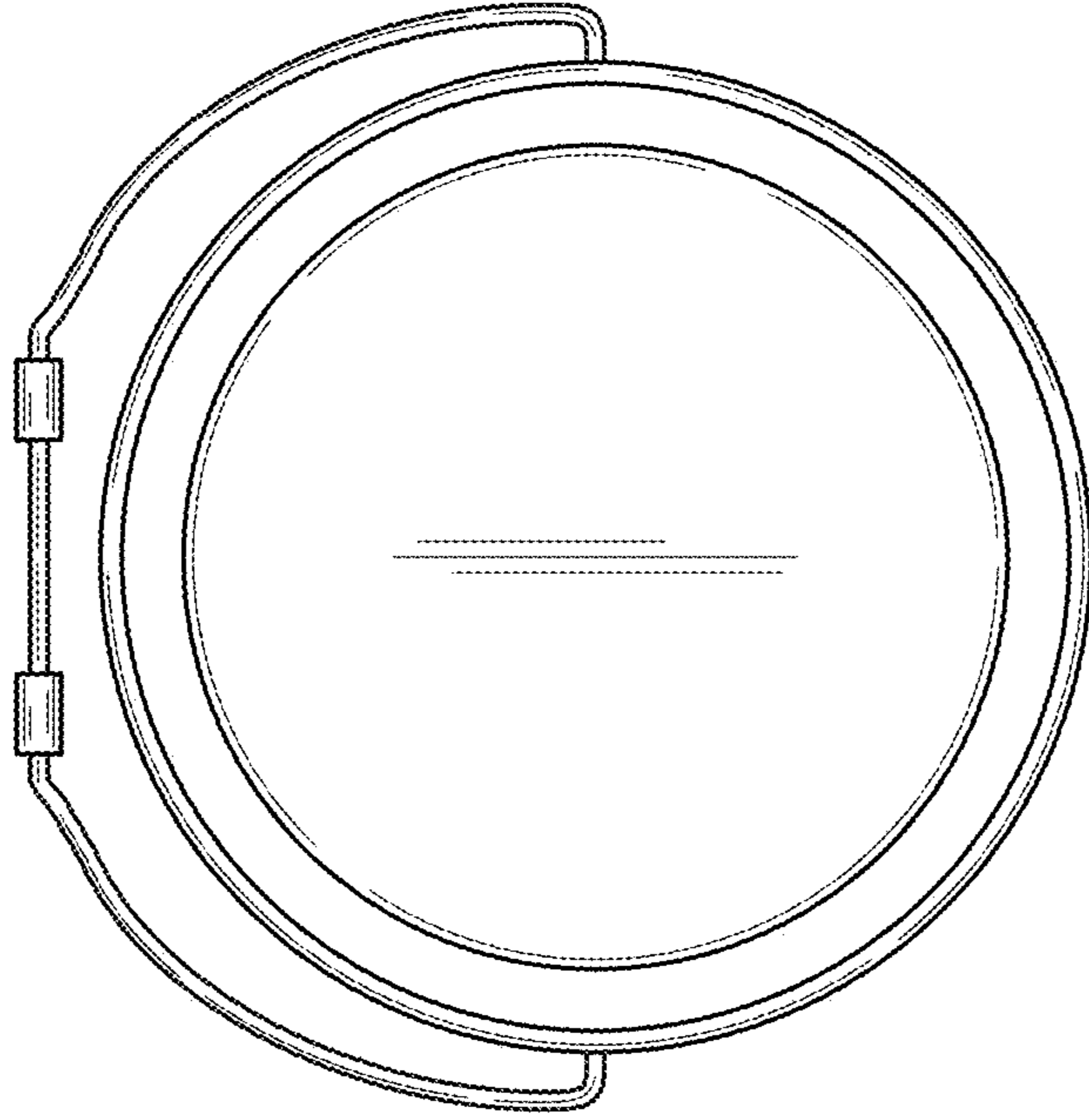


FIG. 8

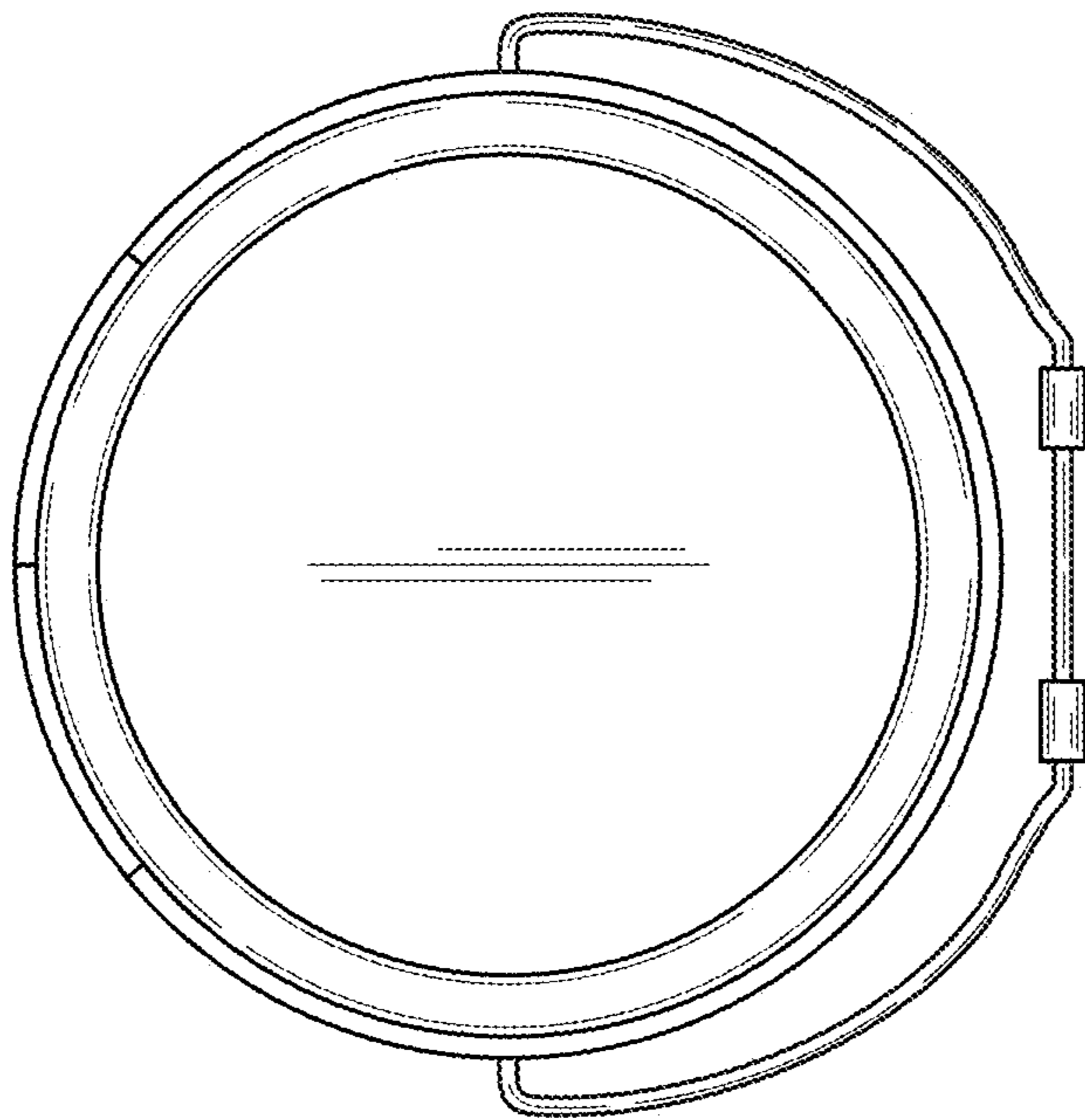


FIG. 7