



US00D918506S

(12) **United States Design Patent** (10) **Patent No.:** **US D918,506 S**
Kim (45) **Date of Patent:** **** May 4, 2021**

(54) **DISINFECTION UNIT FOR ESCALATOR HANDRAILS**

(71) Applicant: **LG INNOTEK CO., LTD.**, Seoul (KR)

(72) Inventor: **Daehun Kim**, Seoul (KR)

(73) Assignee: **LG INNOTEK CO., LTD.**, Seoul (KR)

(**) Term: **15 Years**

(21) Appl. No.: **29/658,088**

(22) Filed: **Jul. 27, 2018**

(30) **Foreign Application Priority Data**

Feb. 14, 2018 (WO) DM/101 254

(51) **LOC (13) Cl.** **07-05**

(52) **U.S. Cl.**
USPC **D32/40**

(58) **Field of Classification Search**
USPC D32/40-43, 46, 50-52; D21/414, 427;
D8/394-396; D14/218
CPC A47L 13/12; A47L 13/16; A47L 13/20;
A47L 1/06; A47L 13/17; B66B 31/02
See application file for complete search history.

(56) **References Cited**

U.S. PATENT DOCUMENTS

- 2,550,918 A * 5/1951 Felix E04F 11/1836
198/338
- 3,941,241 A * 3/1976 Hishitani B66B 31/02
198/494
- 3,946,853 A * 3/1976 Ishida B66B 31/02
198/494
- D353,489 S * 12/1994 Hurwitz D32/42
- D366,036 S * 1/1996 Houlihan D10/30
- D386,849 S * 11/1997 Dehavilland D32/40
- D425,679 S * 5/2000 Long D32/40
- D460,430 S * 7/2002 Wada D10/31

- D551,408 S * 9/2007 Pung D32/40
- D569,565 S * 5/2008 Leahy D32/40
- 7,854,313 B1 * 12/2010 Gotsche B66B 31/02
198/495
- D659,317 S * 5/2012 Ray D32/40
- D659,318 S * 5/2012 Ray D32/40
- D674,566 S * 1/2013 Colangelo D32/40
- D723,756 S * 3/2015 Goodman D32/41
- D758,996 S * 6/2016 Wai D14/218
- 9,382,102 B2 * 7/2016 Rothe B66B 31/02

(Continued)

OTHER PUBLICATIONS

New Device Sanitizes Escalator Handrails While They're in Use | Mental Floss article 2017, <http://mentalfloss.com/article/502821/new-device-sanitizes-escalator-handrails-while-theyr...> site visited Jun. 11, 2019.*

Primary Examiner — John R Yeh

(74) *Attorney, Agent, or Firm* — Saliwanchik, Lloyd & Eisenschenk

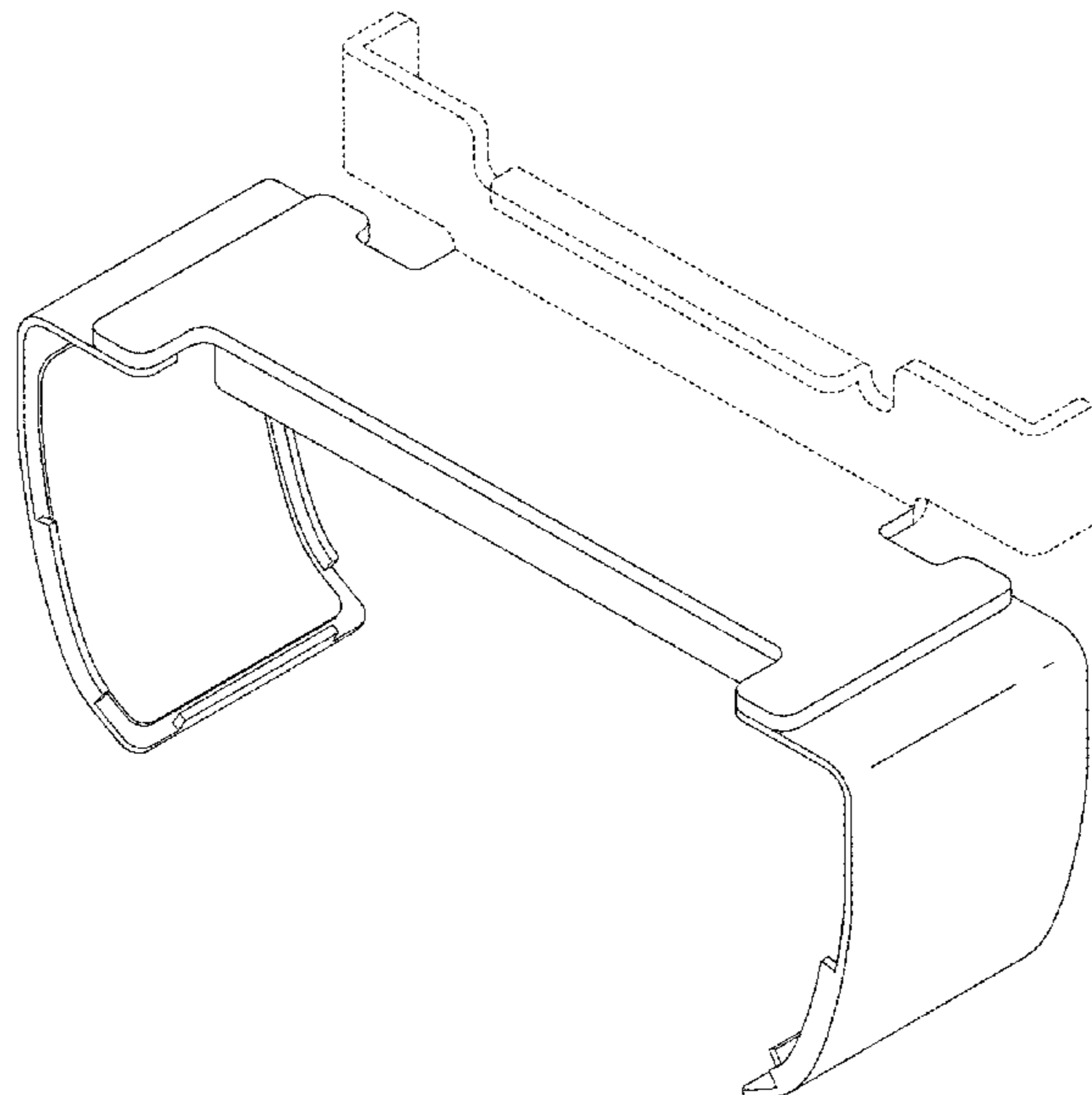
(57) **CLAIM**

The ornamental design for a disinfection unit for escalator handrails, as shown and described.

DESCRIPTION

FIG. 1 is a front, right side, perspective view of a disinfection unit for escalator handrails showing my new design; FIG. 2 is a front view thereof; FIG. 3 is a rear view thereof; FIG. 4 is a left side view thereof; FIG. 5 is a right side view thereof; FIG. 6 is a top view thereof; and, FIG. 7 is a bottom view thereof. The broken lines in the figures represent portions of the disinfection unit for escalator handrails that form no part of the claimed design.

1 Claim, 7 Drawing Sheets



(56)

References Cited

U.S. PATENT DOCUMENTS

9,764,929 B2 * 9/2017 Thomsen B66B 31/02
D830,026 S * 10/2018 Helfert D32/40
D830,028 S * 10/2018 Nichols D32/40
D839,187 S * 1/2019 Warren D13/108
2002/0182415 A1 * 12/2002 McLeod B29C 63/044
428/411.1
2014/0322073 A1 * 10/2014 Link A61L 2/10
422/24
2015/0028228 A1 * 1/2015 Almasy B66B 31/02
250/492.1

* cited by examiner

FIG. 1

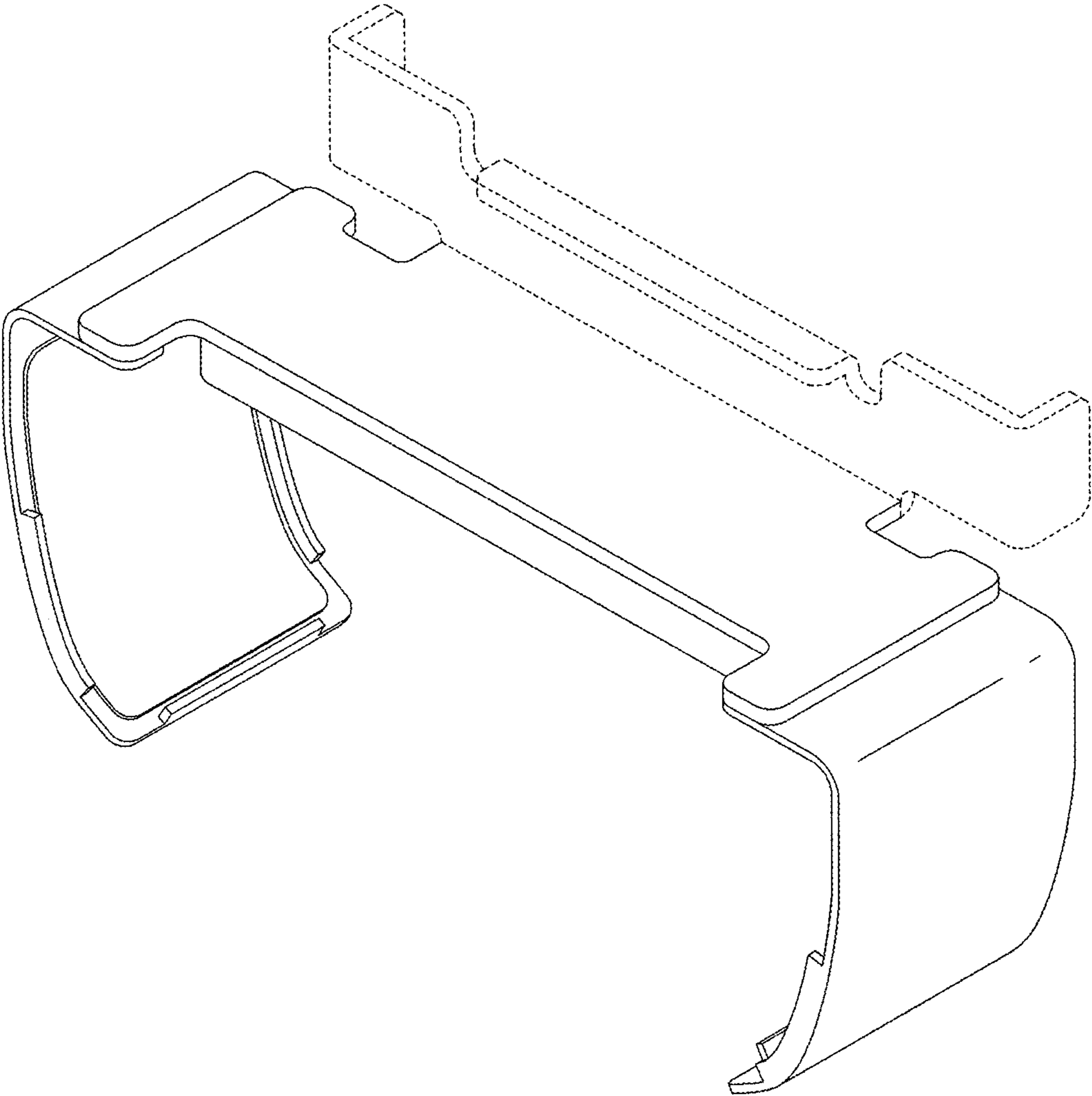


FIG. 2

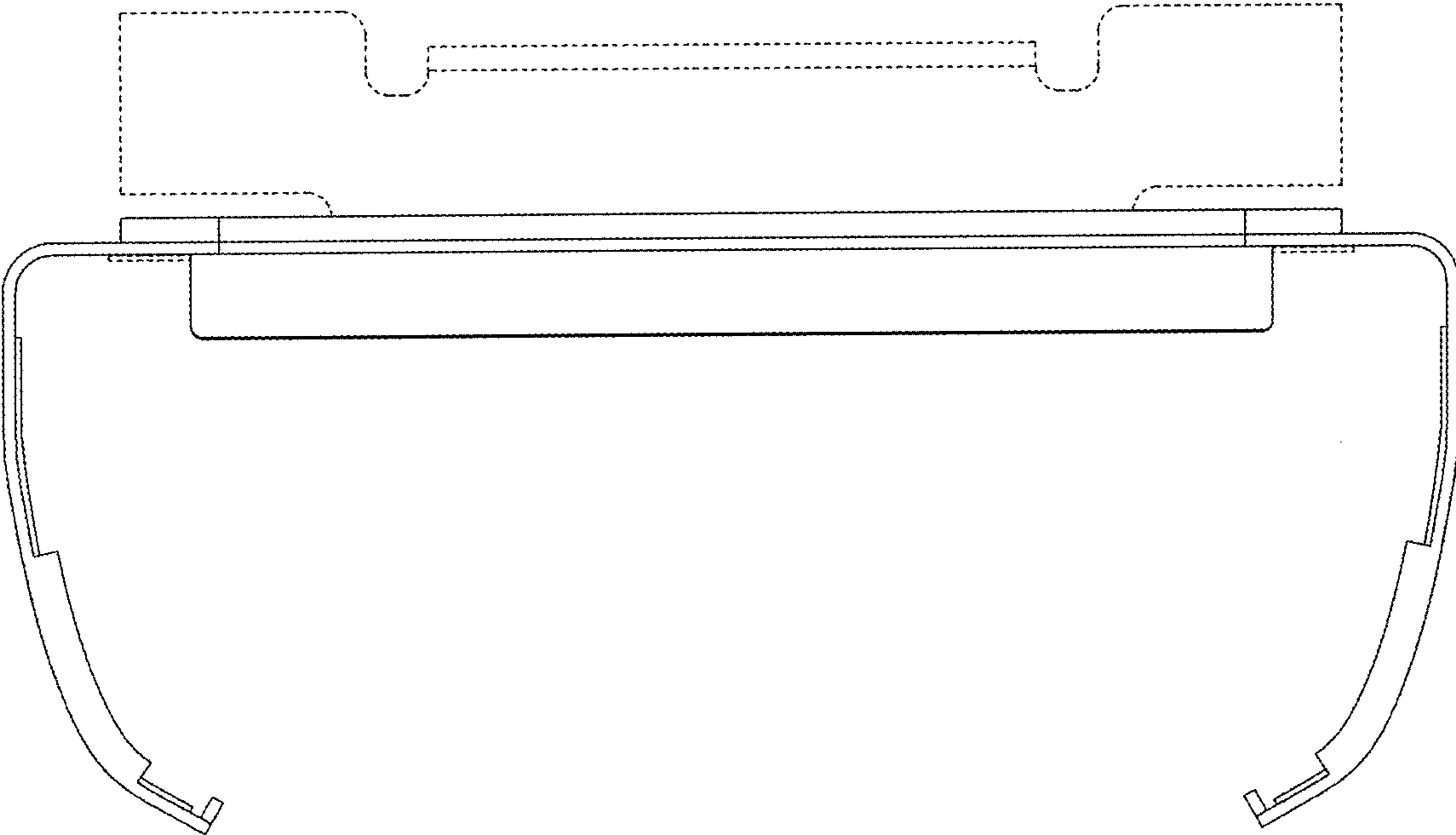


FIG. 3

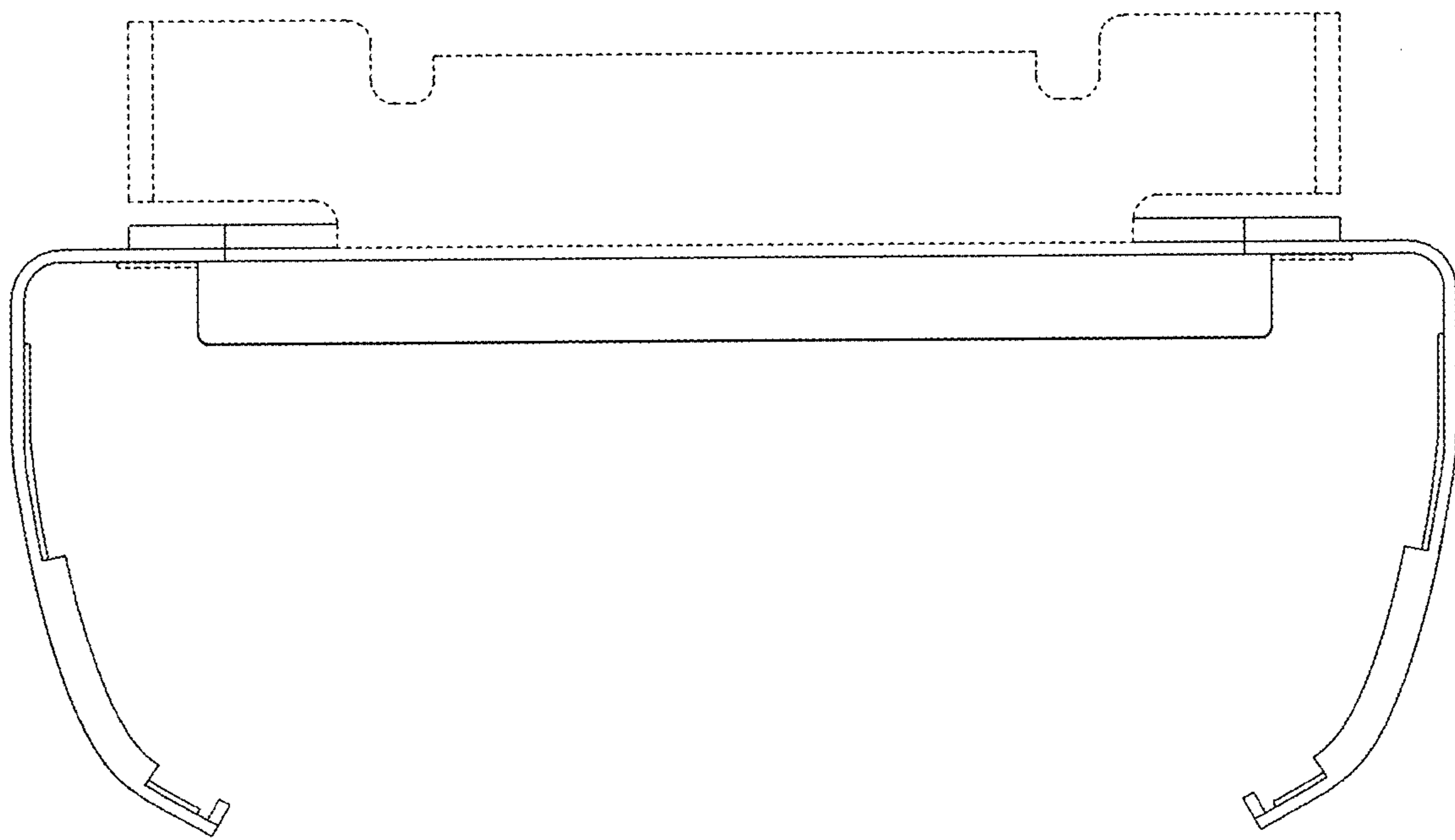


FIG. 4

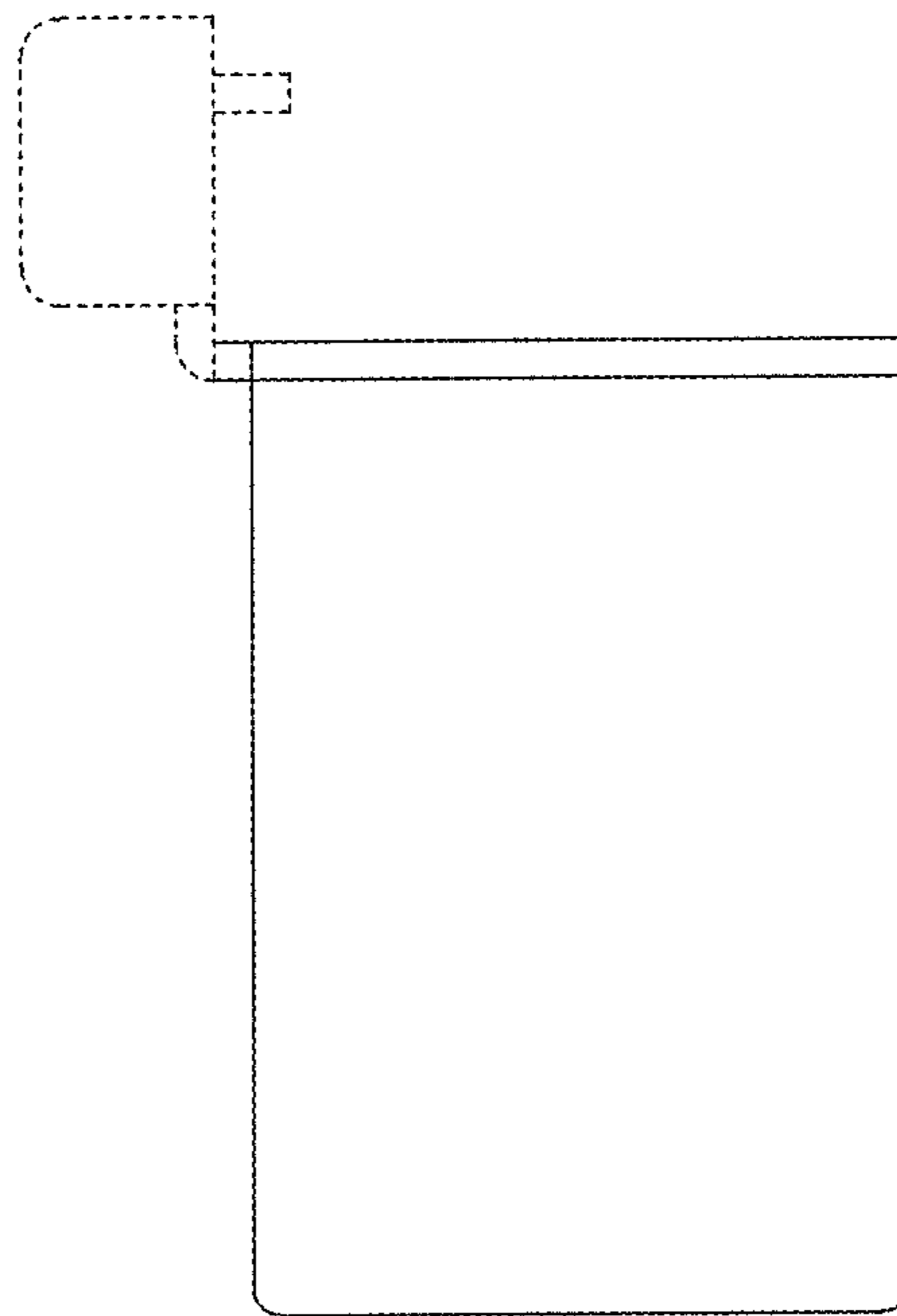


FIG. 5

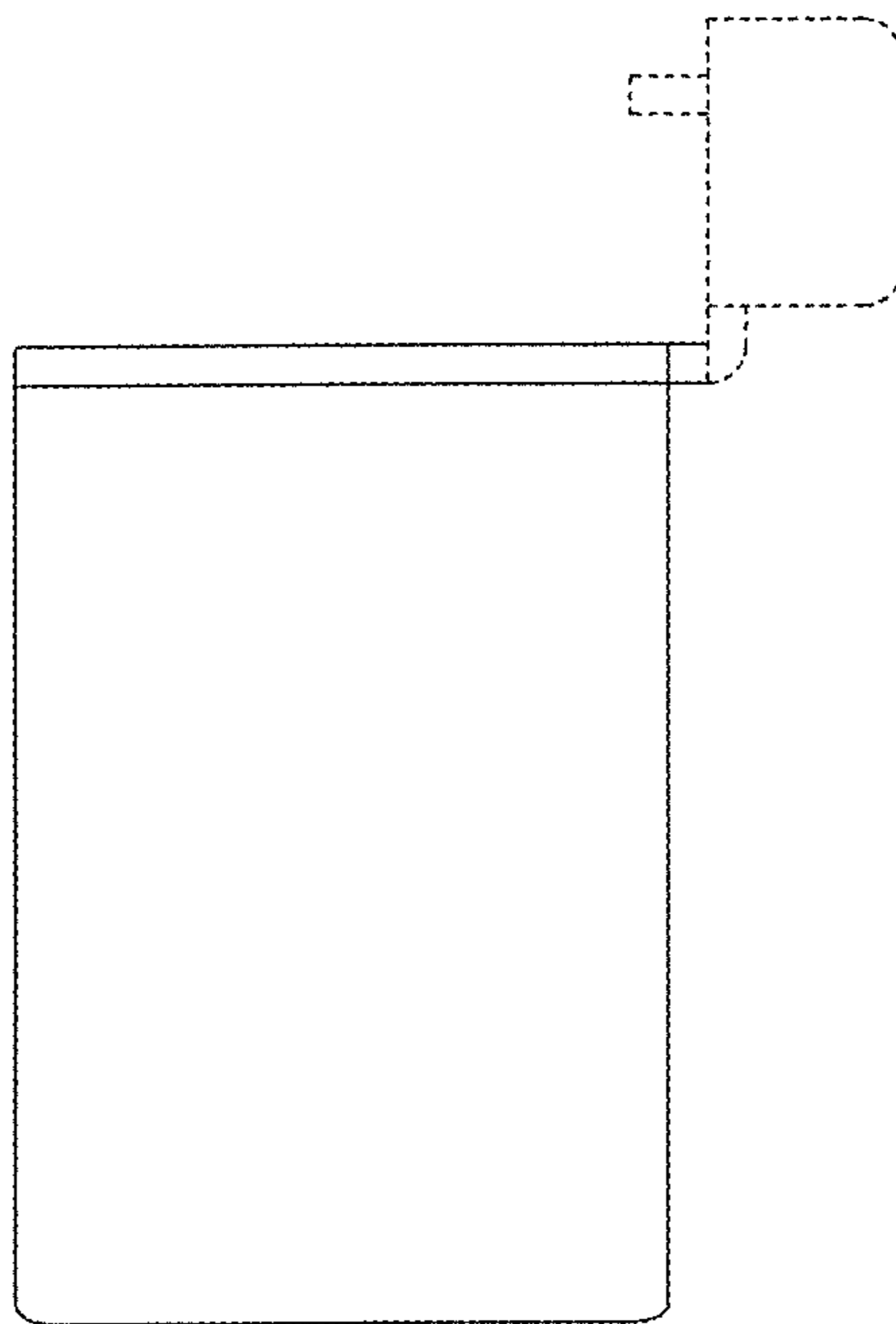


FIG. 6

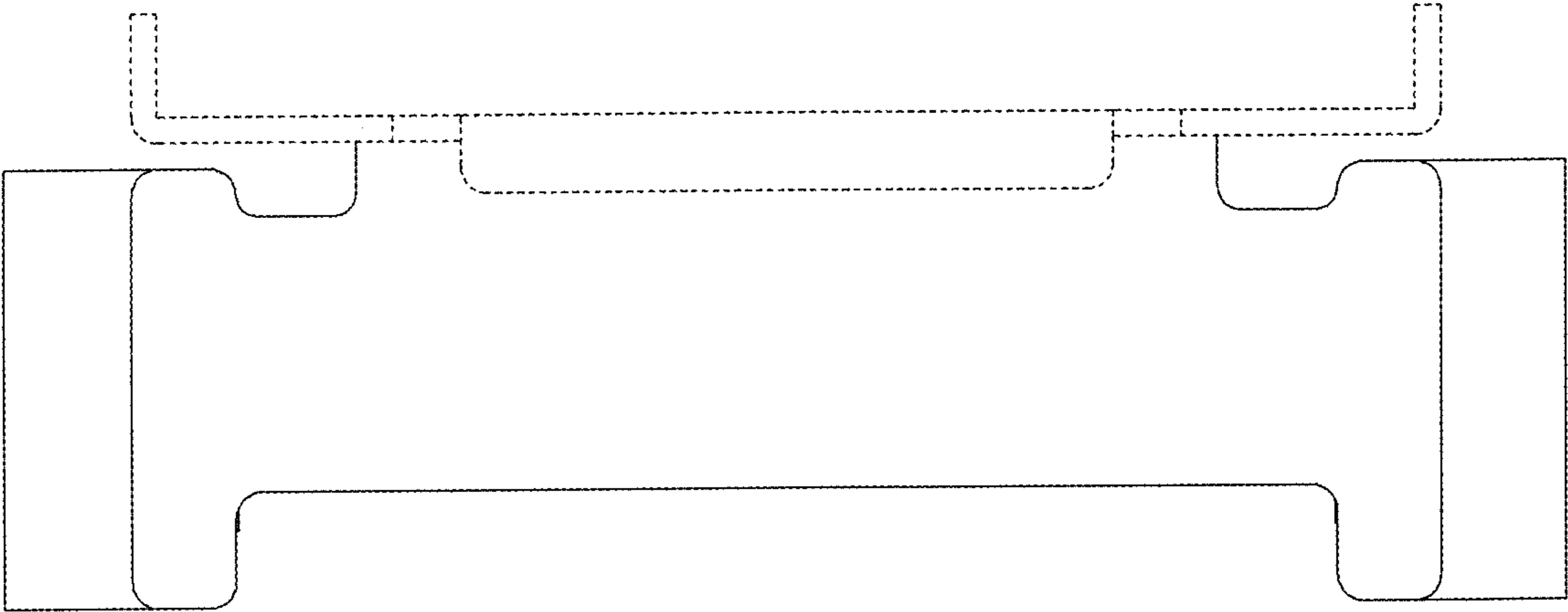


FIG. 7

