



US00D918505S

(12) **United States Design Patent** (10) **Patent No.:** **US D918,505 S**  
**Jin** (45) **Date of Patent:** **\*\* May 4, 2021**

(54) **HANDLE FOR A CLEANING MACHINE**

(71) Applicant: **Alfred Kaercher SE & Co. KG**,  
Winnenden (DE)

(72) Inventor: **Zheyi Jin**, Backnang (DE)

(73) Assignee: **Alfred Kaercher SE & Co. KG**,  
Winnenden (DE)

(\*\*) Term: **15 Years**

(21) Appl. No.: **29/676,681**

(22) Filed: **Jan. 14, 2019**

(30) **Foreign Application Priority Data**

Jul. 24, 2018 (WO) ..... 8331601

(51) **LOC (13) Cl.** ..... **15-05**

(52) **U.S. Cl.**  
USPC ..... **D32/34**

(58) **Field of Classification Search**  
USPC ..... D32/24, 31, 33, 34  
CPC ..... A47L 11/4041; A47L 11/292;  
A47L 11/4069; A47L 11/4055; A47L  
11/03; A47L 11/18  
See application file for complete search history.

(56) **References Cited**

**U.S. PATENT DOCUMENTS**

D315,043 S *	2/1991	Hayden	.....	D32/34
D333,023 S *	2/1993	Herron, Jr.	.....	D32/34
D334,447 S *	3/1993	Rohn	.....	D32/34
D365,179 S *	12/1995	Bradd	.....	D32/31
D420,477 S *	2/2000	Saunders	.....	D32/34
D426,038 S *	5/2000	Essex	.....	D32/34
D429,395 S *	8/2000	Kiern	.....	D32/34
D523,598 S *	6/2006	Carr	.....	D32/31
D525,755 S *	7/2006	Simmonds	.....	D32/34
D529,248 S *	9/2006	McCulloch	.....	D32/34

D529,674 S *	10/2006	Dyson	.....	D32/34
D565,819 S *	4/2008	Renner	.....	D32/34
D586,054 S *	2/2009	Yoon	.....	D32/34
D609,415 S *	2/2010	Hill	.....	D32/31
D641,112 S *	7/2011	Lee	.....	D32/34
D641,113 S *	7/2011	Choi	.....	D32/34
D641,114 S *	7/2011	Choi	.....	D32/34
D642,755 S *	8/2011	Fjellman	.....	D32/34
D644,385 S *	8/2011	Hare	.....	D32/34
D670,056 S *	10/2012	Ventress	.....	D32/34
D694,970 S *	12/2013	Santiago	.....	D32/34
D729,475 S *	5/2015	Jang	.....	D32/33
D731,136 S *	6/2015	Yun	.....	D32/34
D731,724 S *	6/2015	Cheon	.....	D32/34

(Continued)

**OTHER PUBLICATIONS**

[https://images.homedepot-static.com/catalog/productImages/1000/24/2412bf18-3e62-4bc7-93c1-87d75ebc750f\\_1000.jpg](https://images.homedepot-static.com/catalog/productImages/1000/24/2412bf18-3e62-4bc7-93c1-87d75ebc750f_1000.jpg) (Year: 2020).\*

(Continued)

*Primary Examiner* — Michelle E. Wilson  
*Assistant Examiner* — Richard E Yenchesky  
(74) *Attorney, Agent, or Firm* — Lipsitz & McAllister, LLC

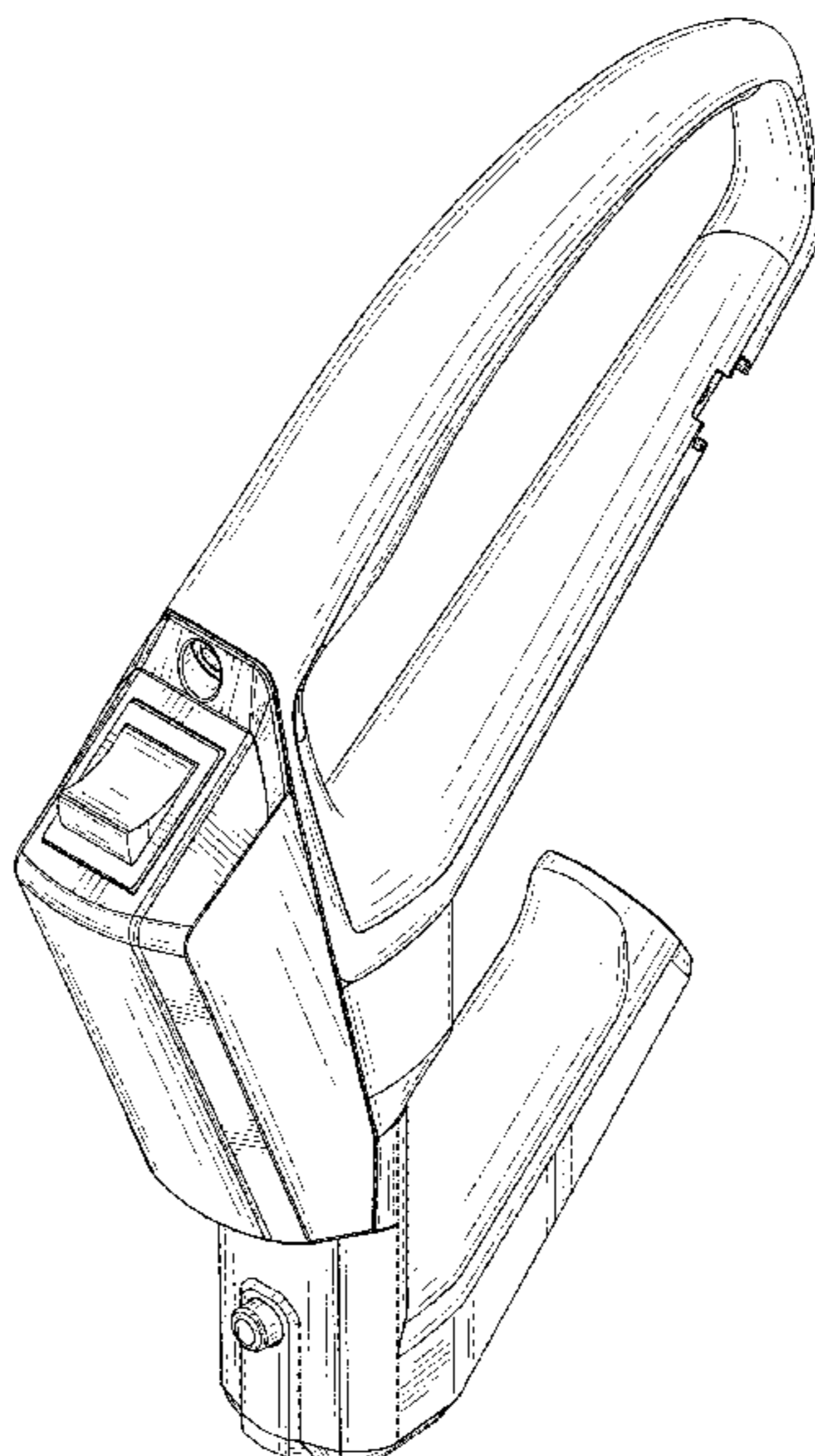
(57) **CLAIM**

The ornamental design for a handle for a cleaning machine, as shown and described.

**DESCRIPTION**

FIG. 1 is a front, top and left side perspective view of a handle for a cleaning machine showing the new design; FIG. 2 is a front, top and right side perspective view thereof; FIG. 3 is a front elevational view thereof; FIG. 4 is a left side elevational view thereof; FIG. 5 is a rear elevational view thereof; FIG. 6 is a right side elevational view thereof; and, FIG. 7 is a top plan view thereof.

**1 Claim, 7 Drawing Sheets**



(56)

**References Cited**

U.S. PATENT DOCUMENTS

D731,725 S *	6/2015	Jang .....	D32/34
D731,726 S *	6/2015	Thorne .....	D32/34
D732,766 S *	6/2015	Hughes .....	D32/25
D739,622 S *	9/2015	Johnson .....	D32/34
D770,111 S *	10/2016	Lee .....	D32/34
D779,754 S *	2/2017	Miyazaki .....	D32/34
D791,421 S *	7/2017	Wu .....	D32/31
D819,286 S *	5/2018	Kim .....	D32/34
D877,435 S *	3/2020	Fry .....	D32/34
D879,396 S *	3/2020	Knight .....	D32/31
D880,087 S *	3/2020	Knight .....	D32/24
D901,800 S *	11/2020	Choi .....	D32/34

OTHER PUBLICATIONS

Alfred Kaercher Se & Co. KG, photographs of floor cleaning machines, 2 pages, date unknown.

\* cited by examiner

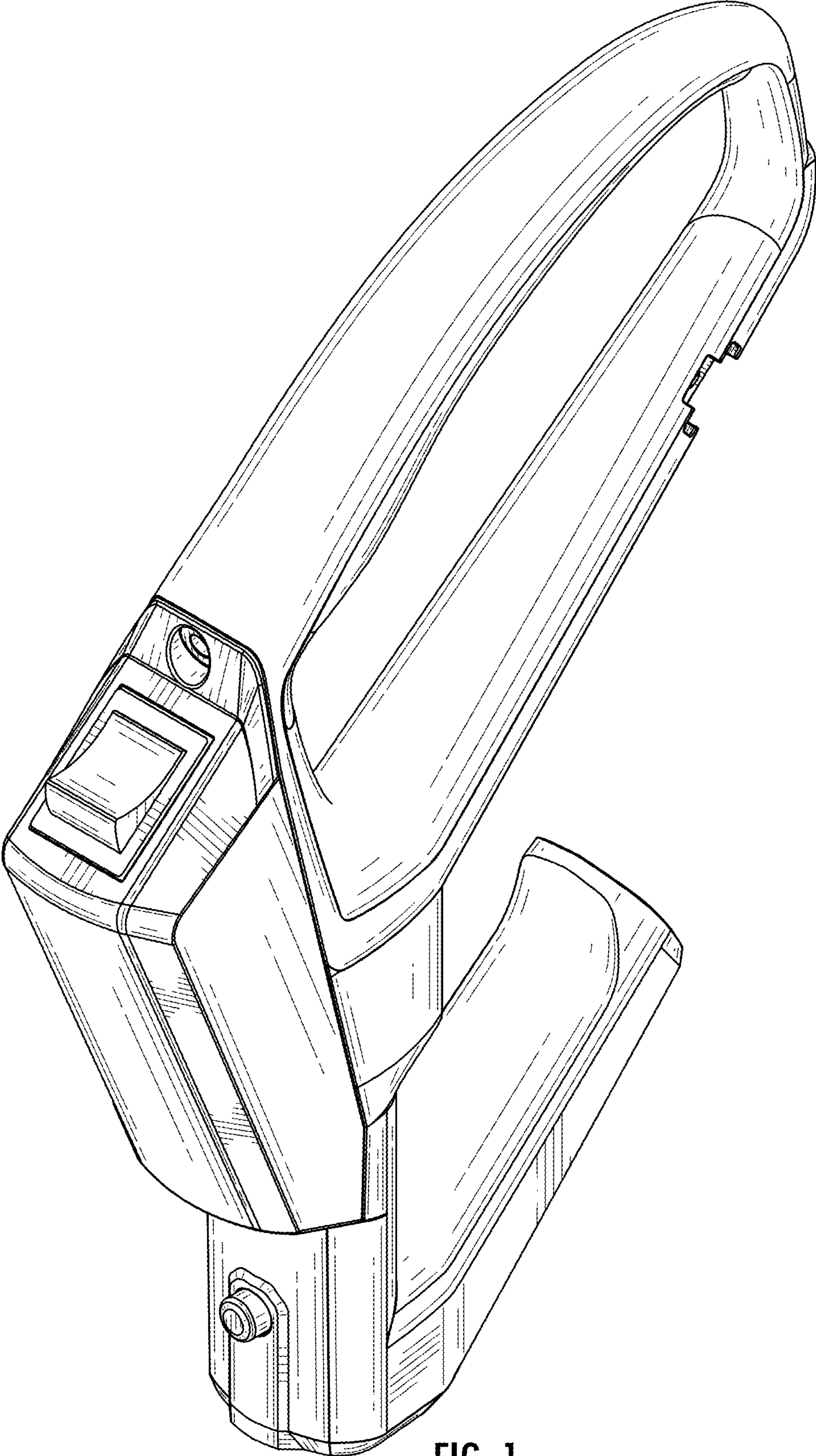


FIG. 1

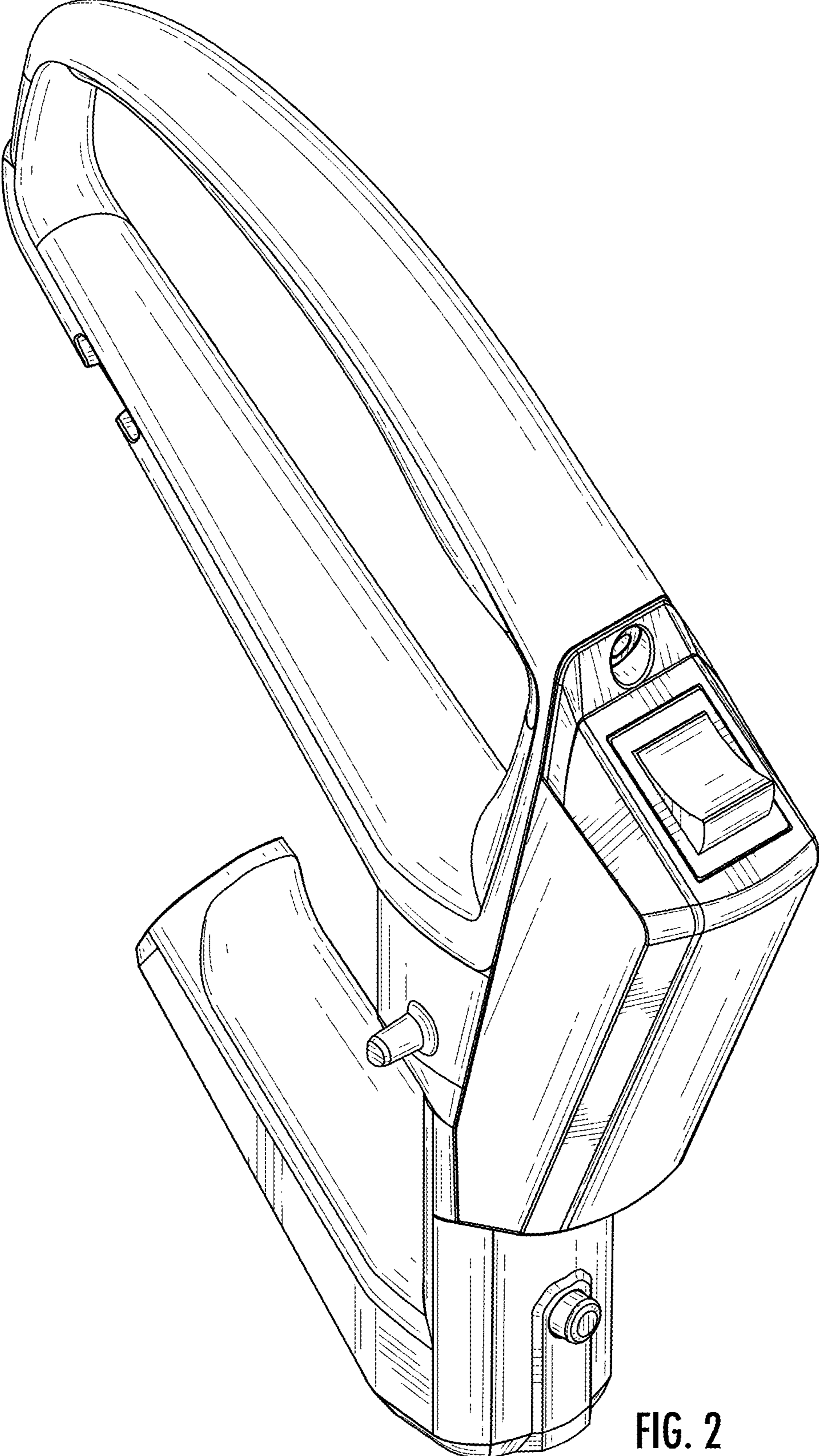


FIG. 2

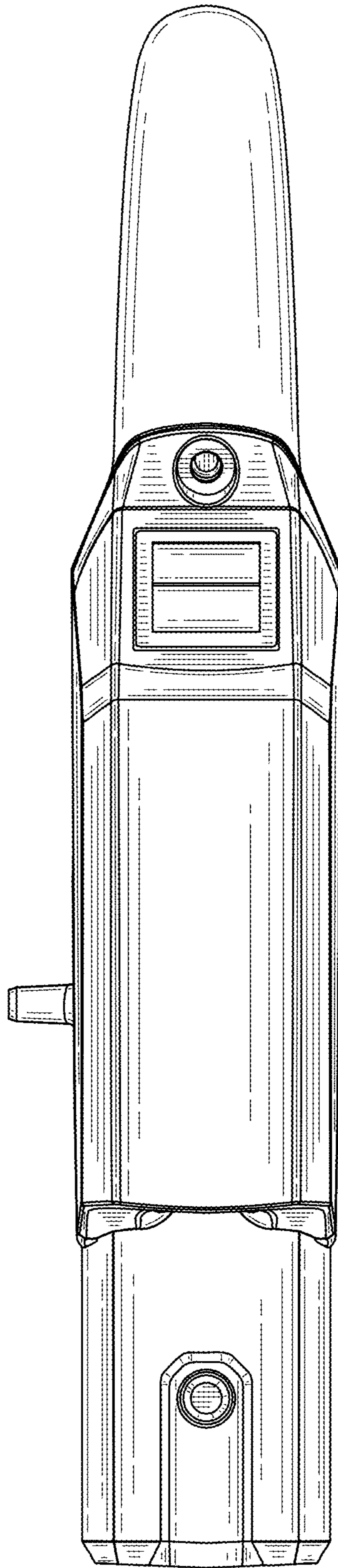


FIG. 3

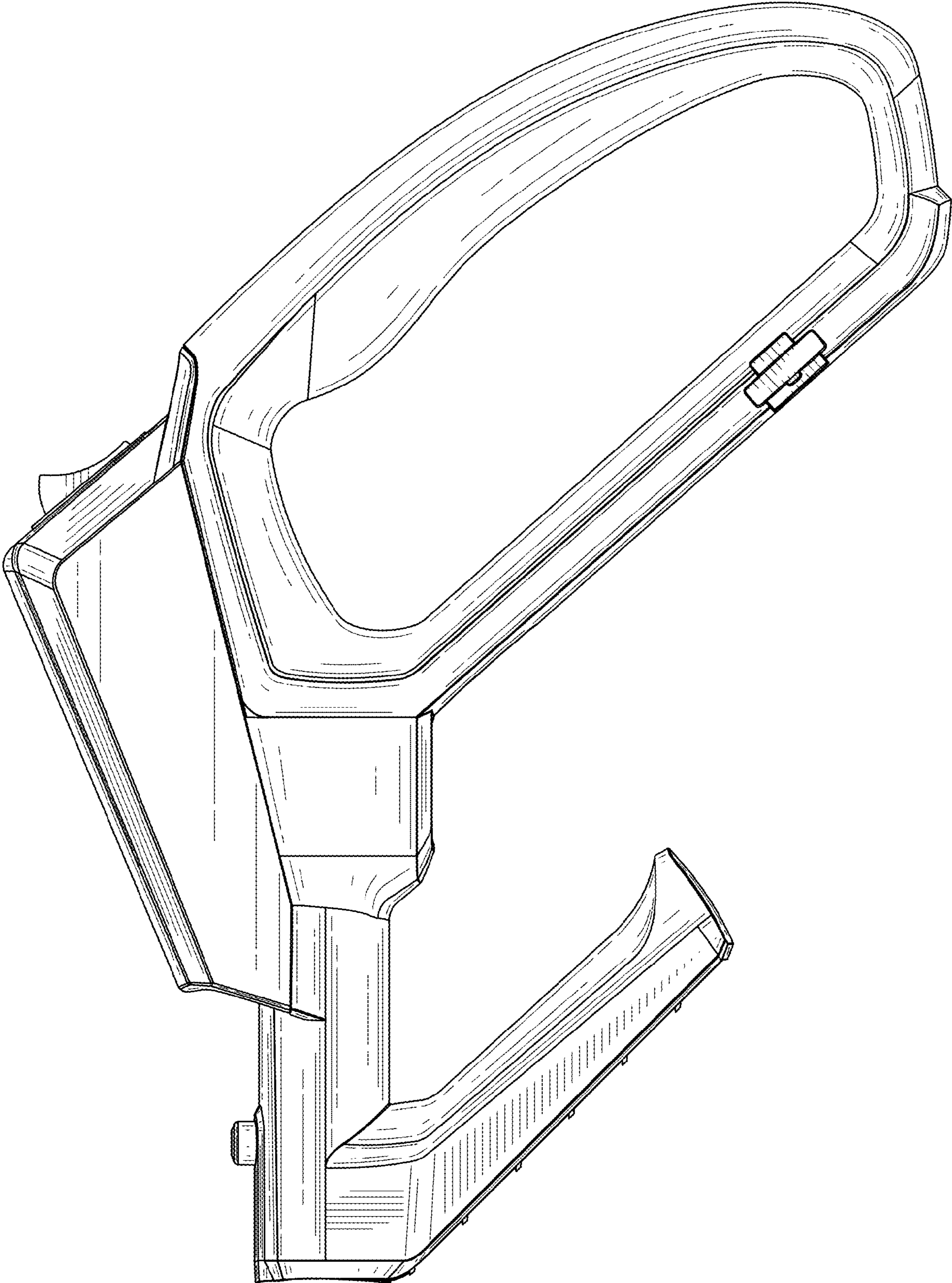


FIG. 4

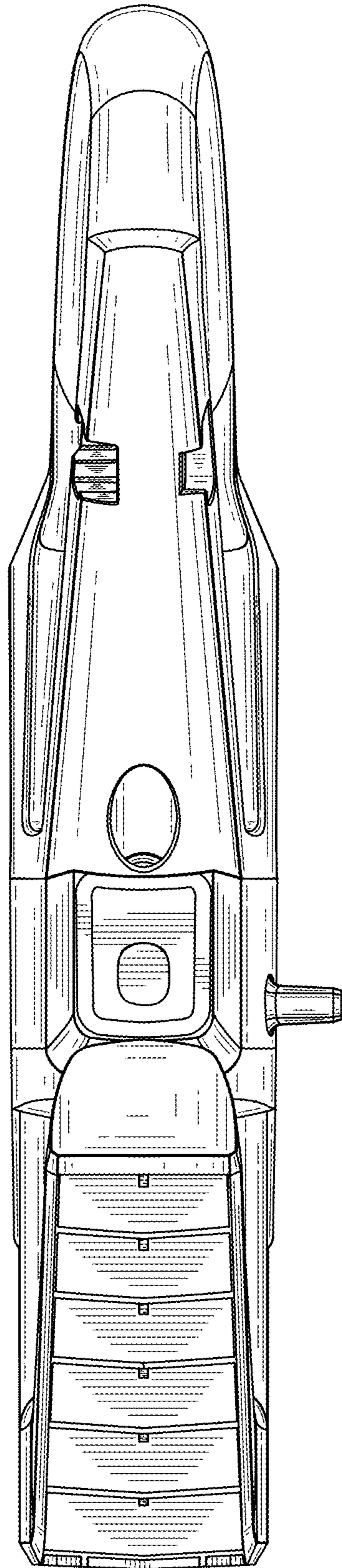


FIG. 5

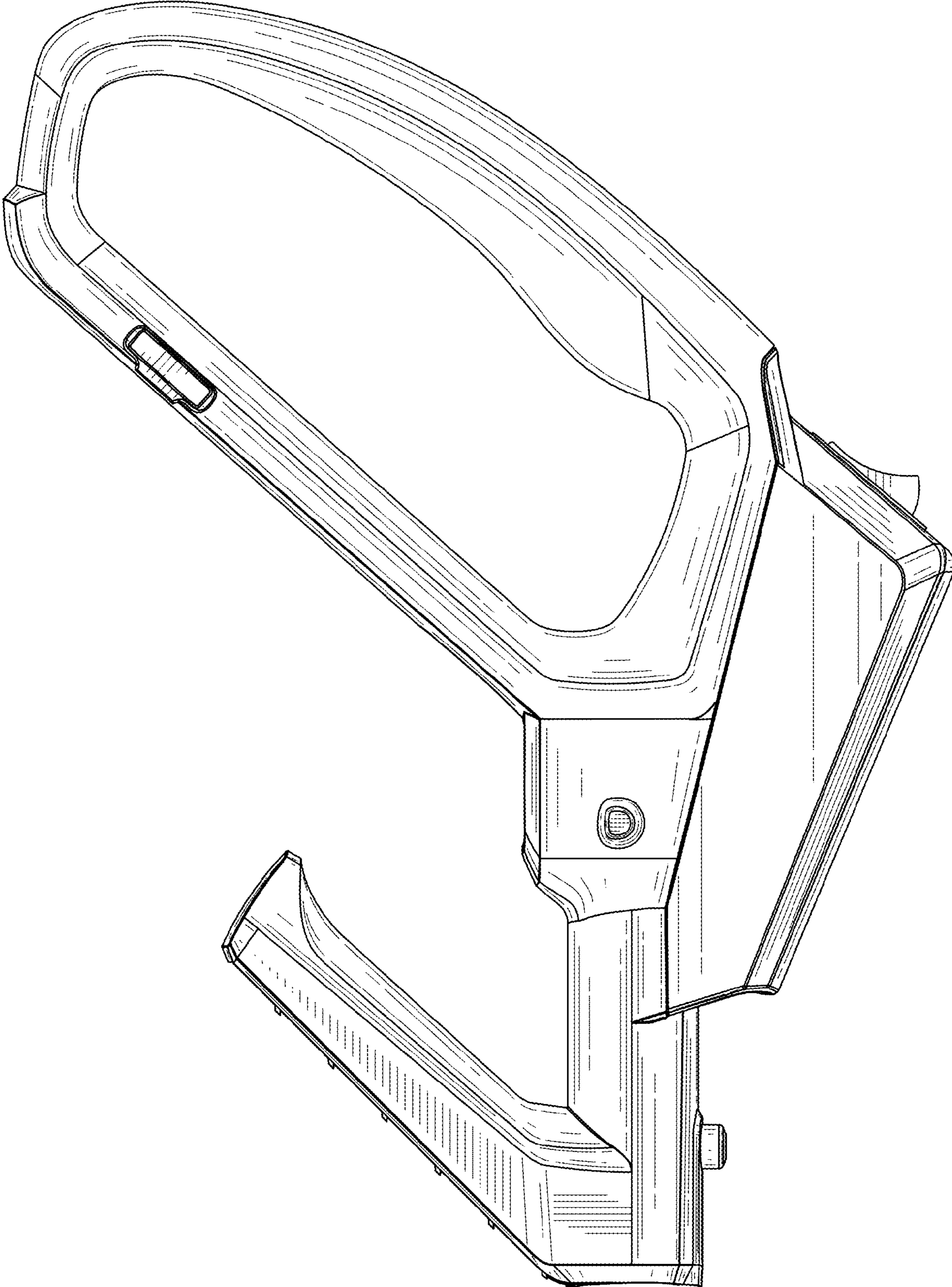


FIG. 6



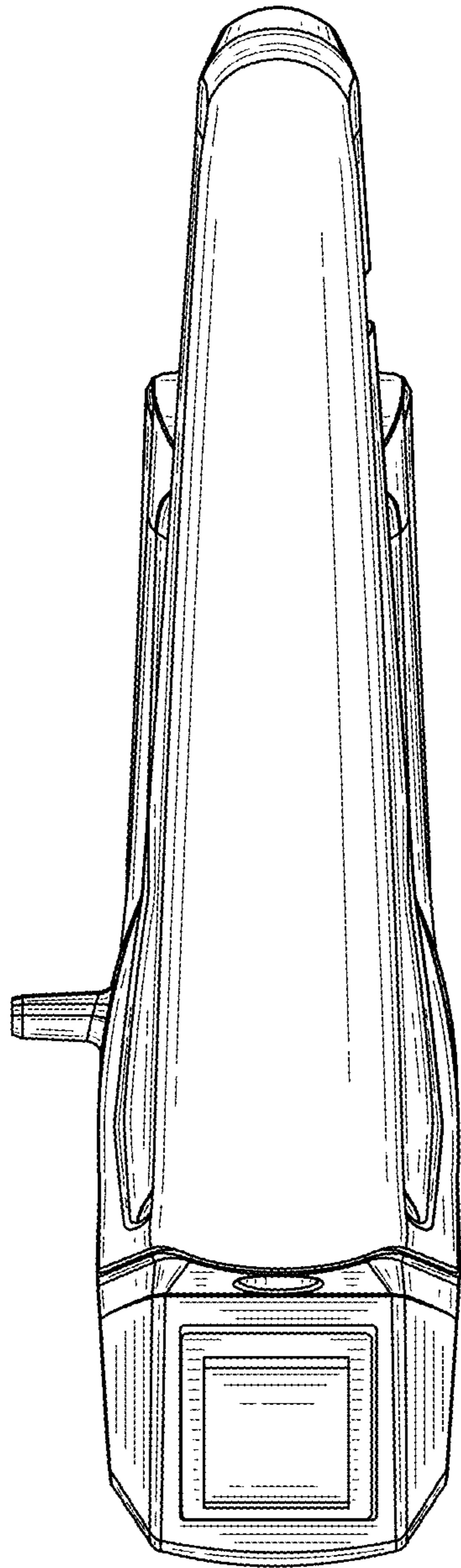


FIG. 7