



US00D918503S

(12) **United States Design Patent**
Bennington

(10) **Patent No.:** **US D918,503 S**

(45) **Date of Patent:** **** May 4, 2021**

(54) **BLOWER TO SPRAYER CONVERTER WITH INSIDE NOZZLE**

(71) Applicant: **Kevin Bennington**, Virginia Beach, VA (US)

(72) Inventor: **Kevin Bennington**, Virginia Beach, VA (US)

(**) Term: **15 Years**

(21) Appl. No.: **29/681,518**

(22) Filed: **Feb. 26, 2019**

(51) **LOC (13) Cl.** **15-05**

(52) **U.S. Cl.**
USPC **D32/25**

(58) **Field of Classification Search**
USPC D32/2-3, 5-7, 12-13, 25-29;
D8/394-396; D23/242, 239, 387, 303
CPC A47L 15/42; A47L 15/00; B65D 47/06;
D06F 23/06; D06F 37/26; A01M 7/0003;
A61M 15/00
See application file for complete search history.

(56) **References Cited**

U.S. PATENT DOCUMENTS

- D100,208 S * 6/1936 Depue D32/12
- D123,513 S * 11/1940 Taylor et al. D10/57
- 3,596,964 A * 8/1971 Zazzara B43K 23/012
294/5
- 4,197,013 A * 4/1980 Van Ackeren G01N 21/534
250/252.1
- D285,171 S * 8/1986 Russell D8/396
- D314,255 S * 1/1991 Brito D32/3
- D442,852 S * 5/2001 Gopalraja D8/395
- 6,346,212 B1 * 2/2002 Seo C21C 5/32
266/220
- D487,482 S * 3/2004 Disher D19/65
- 6,786,701 B1 * 9/2004 Huang F04D 29/705
239/77
- D498,251 S * 11/2004 Invencio D16/242

- D685,256 S * 7/2013 Fungler D8/395
- D743,244 S * 11/2015 Anderson D8/394
- D784,580 S * 4/2017 Smith D26/60
- D799,952 S * 10/2017 Demberg D8/395
- D808,789 S * 1/2018 Franklin D8/396
- D831,721 S * 10/2018 Norman D16/131
- D870,548 S * 12/2019 Modracek D8/396
- 2001/0040190 A1 * 11/2001 Utter B05B 9/047
239/152
- 2004/0211868 A1 * 10/2004 Holmes F16M 11/041
248/231.71
- 2005/0077391 A1 * 4/2005 Powell B05B 9/0423
239/373

(Continued)

FOREIGN PATENT DOCUMENTS

GB 1029429 * 3/2000

OTHER PUBLICATIONS

BackPack | 3DNozzle Electrostatic Sprayers, no date, <https://www.3dnozzle.com/backpack/>, site visited Jun. 7, 2020.*

Primary Examiner — John R Yeh

(74) *Attorney, Agent, or Firm* — William G. Sykes

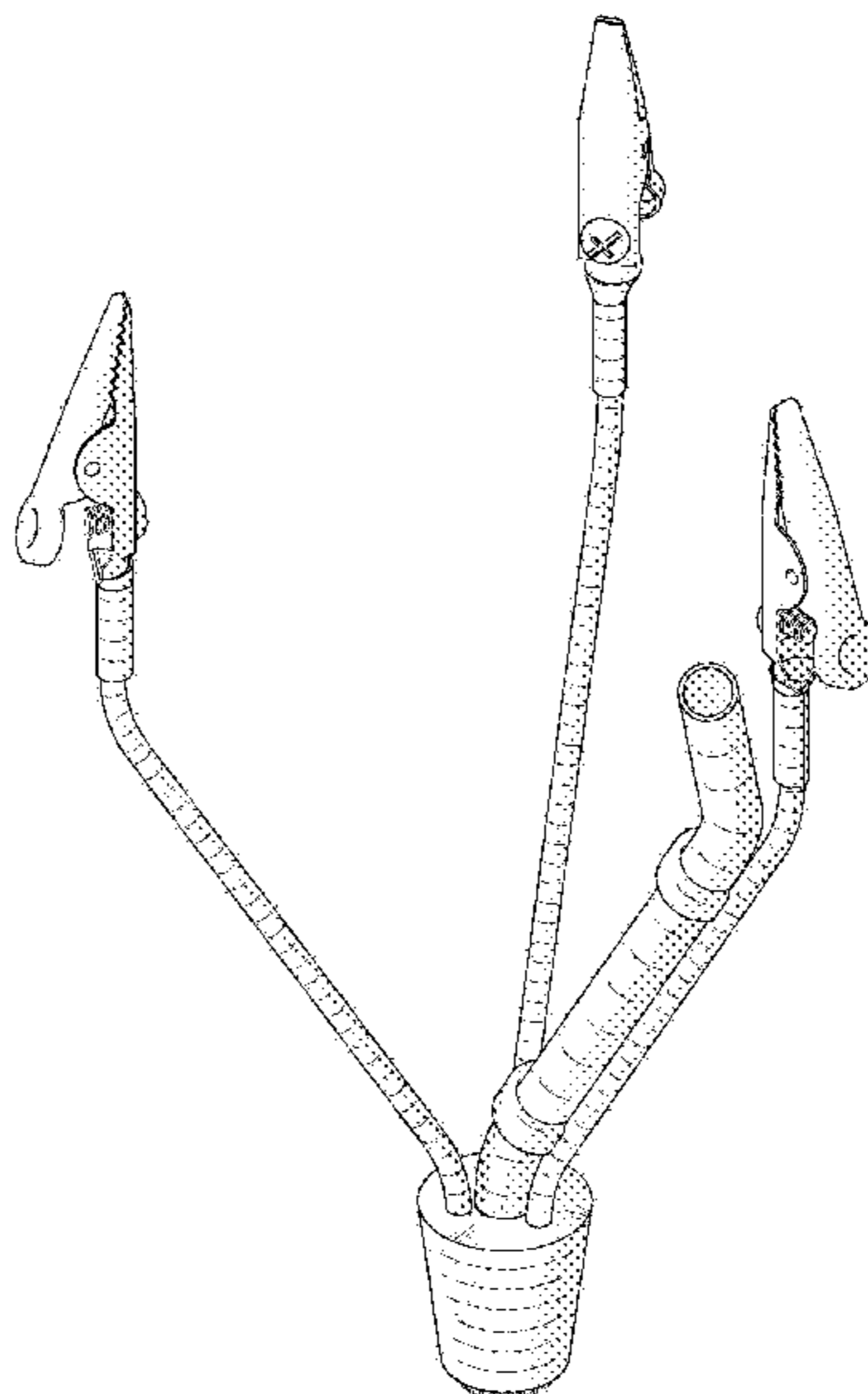
(57) **CLAIM**

The ornamental design for a blower to sprayer converter with inside nozzle, as shown.

DESCRIPTION

FIG. 1 is a front right isometric view of a blower to sprayer converter with inside nozzle showing my new design;
FIG. 2 is a front view thereof;
FIG. 3 is a top view thereof;
FIG. 4 is a bottom view thereof;
FIG. 5 is a right side view thereof;
FIG. 6 is a left side view thereof; and,
FIG. 7 is a back view thereof.

1 Claim, 7 Drawing Sheets



(56)

References Cited

U.S. PATENT DOCUMENTS

2015/0335004 A1* 11/2015 Gale A01M 7/0089
43/132.1
2018/0014525 A1* 1/2018 Bennington B05B 7/2427
2018/0280638 A1* 10/2018 Buchmann A61M 16/0006

* cited by examiner

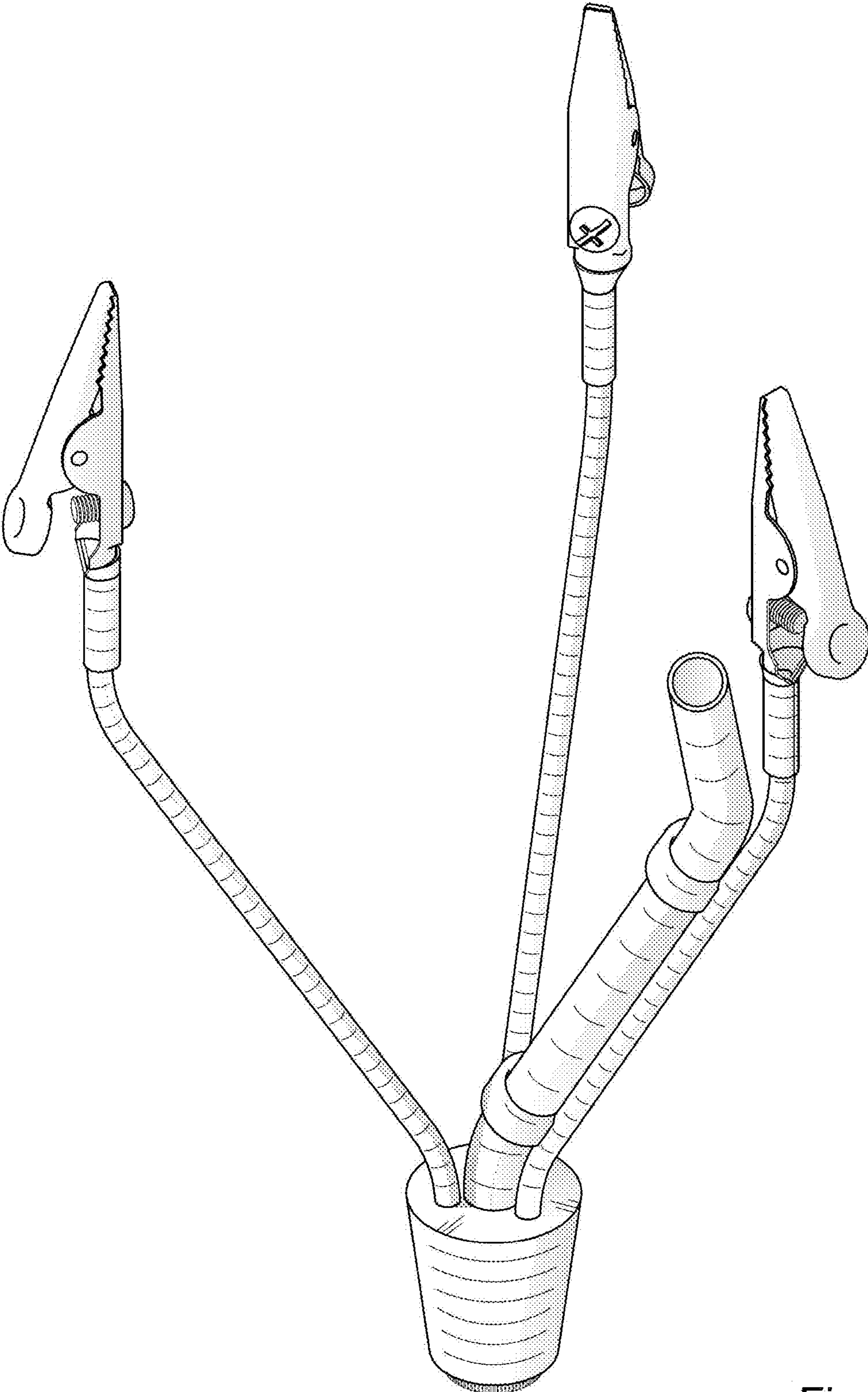


Fig. 1

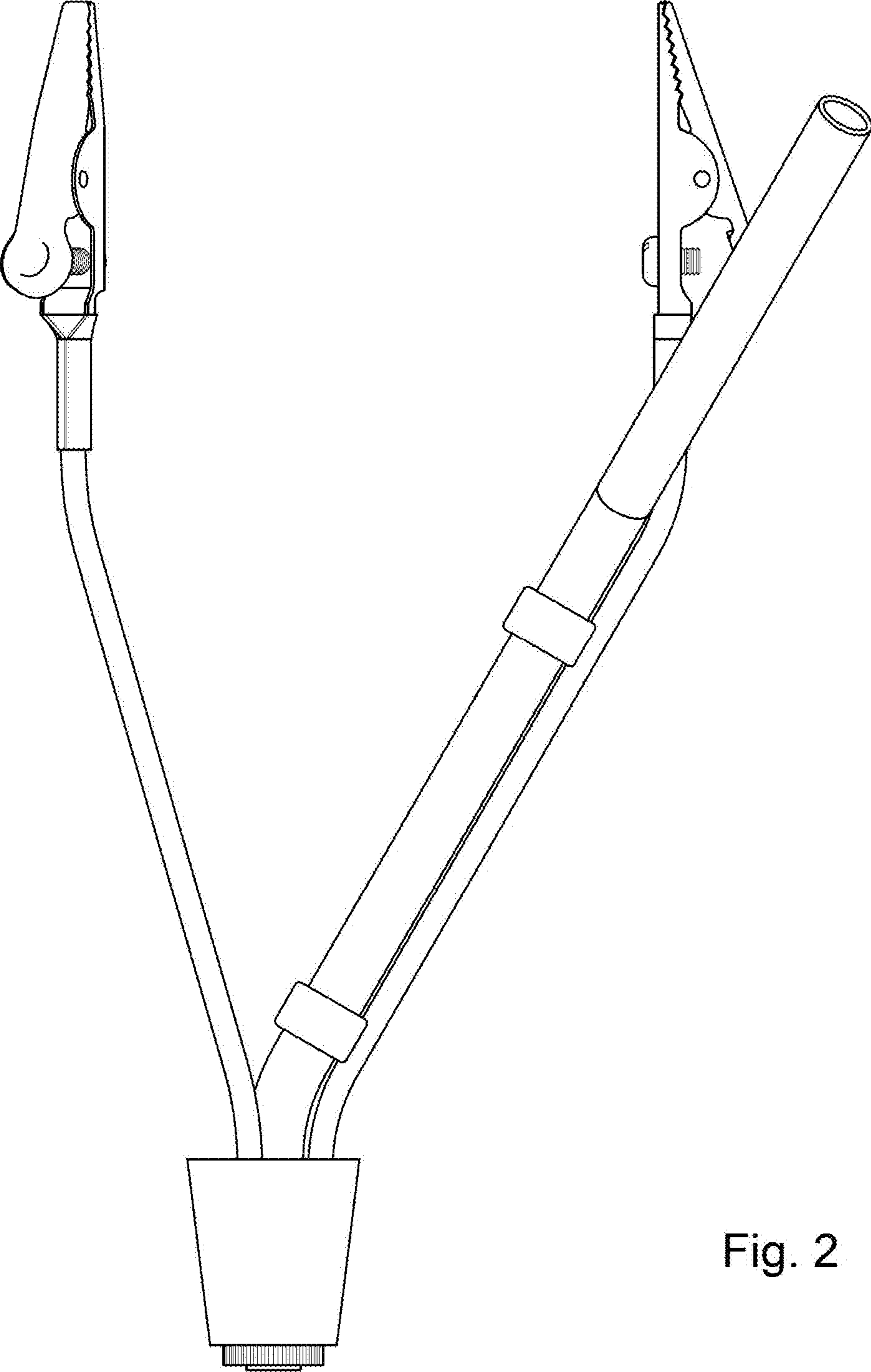


Fig. 2

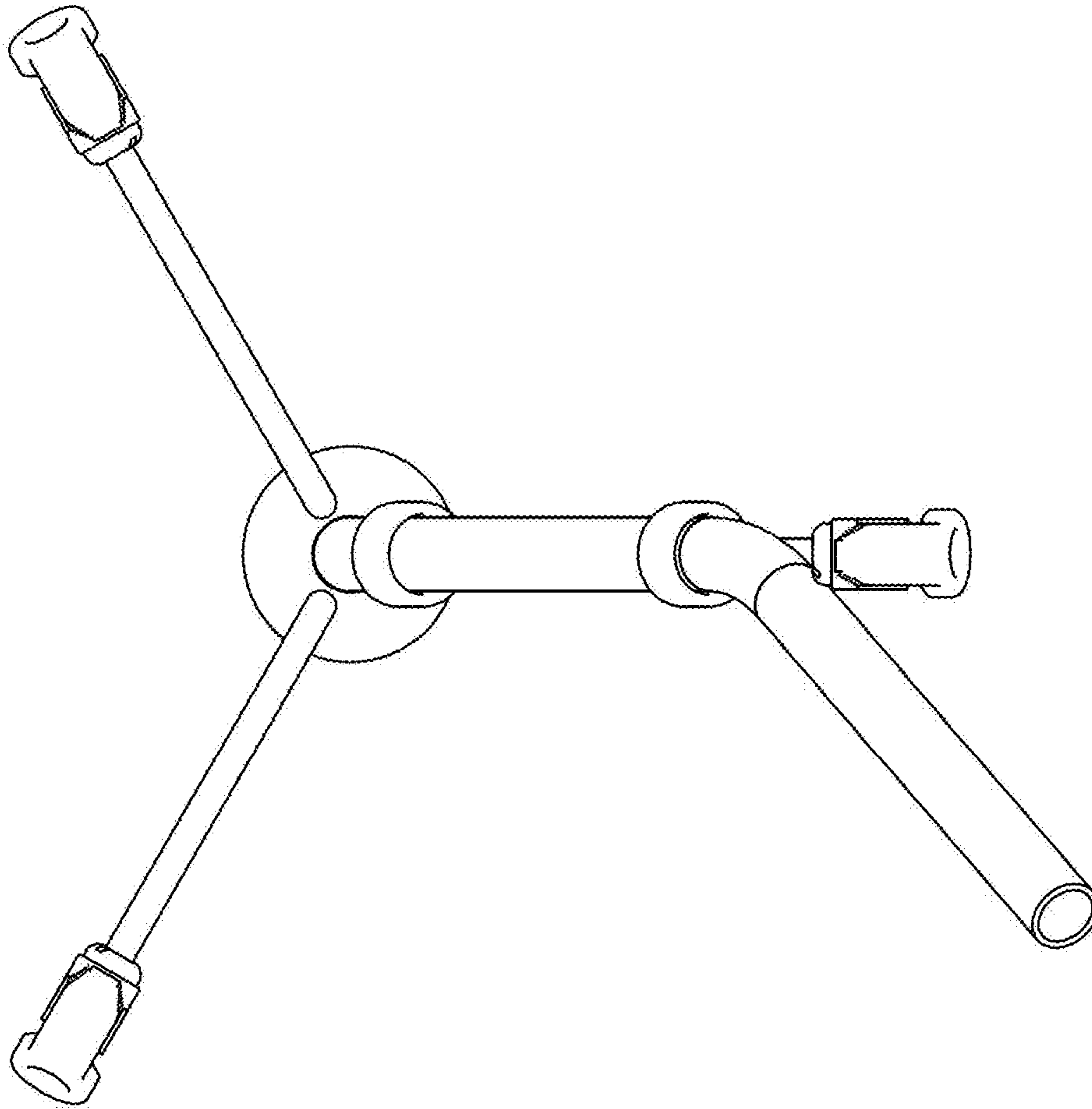


Fig. 3

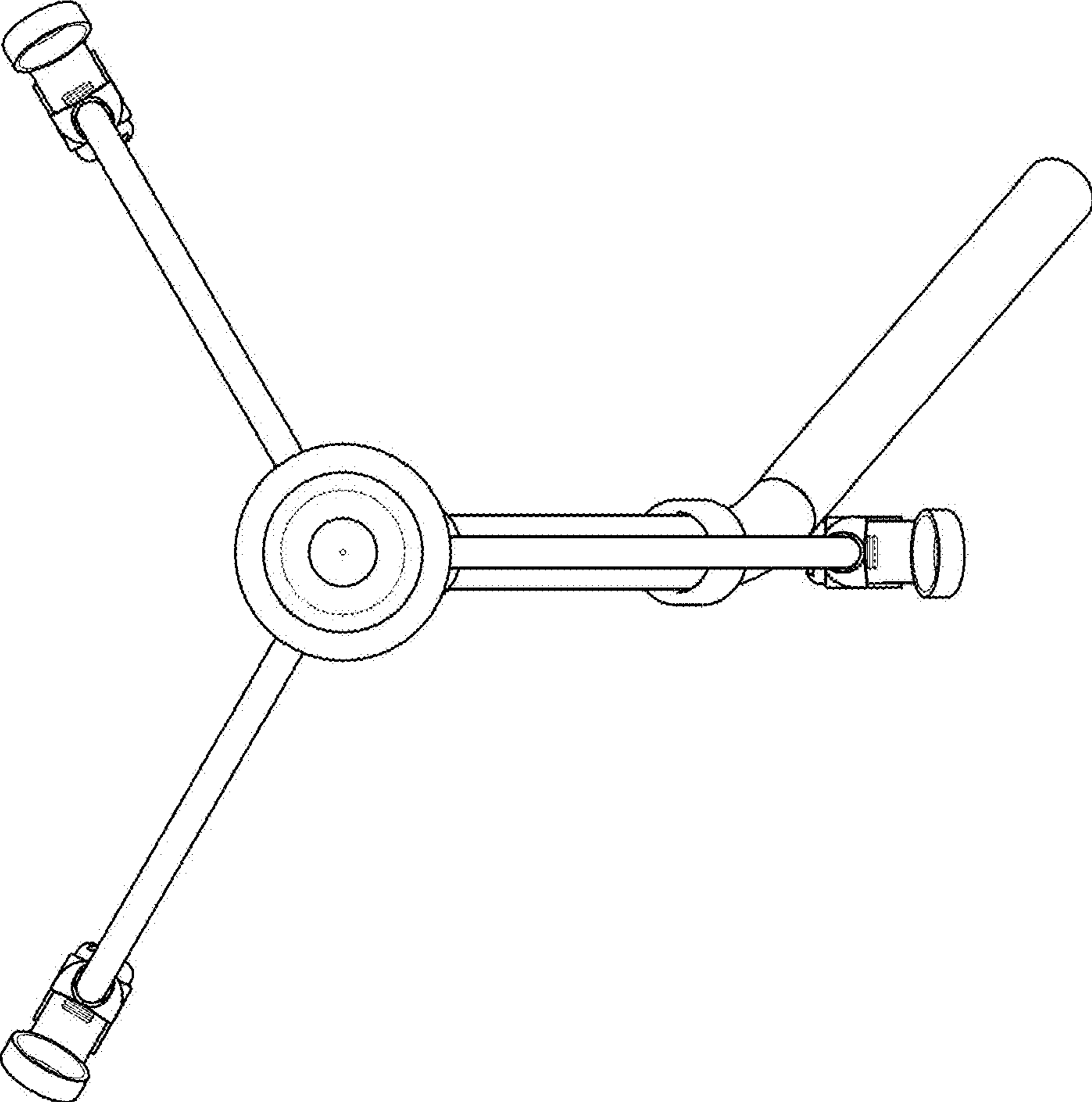


Fig. 4

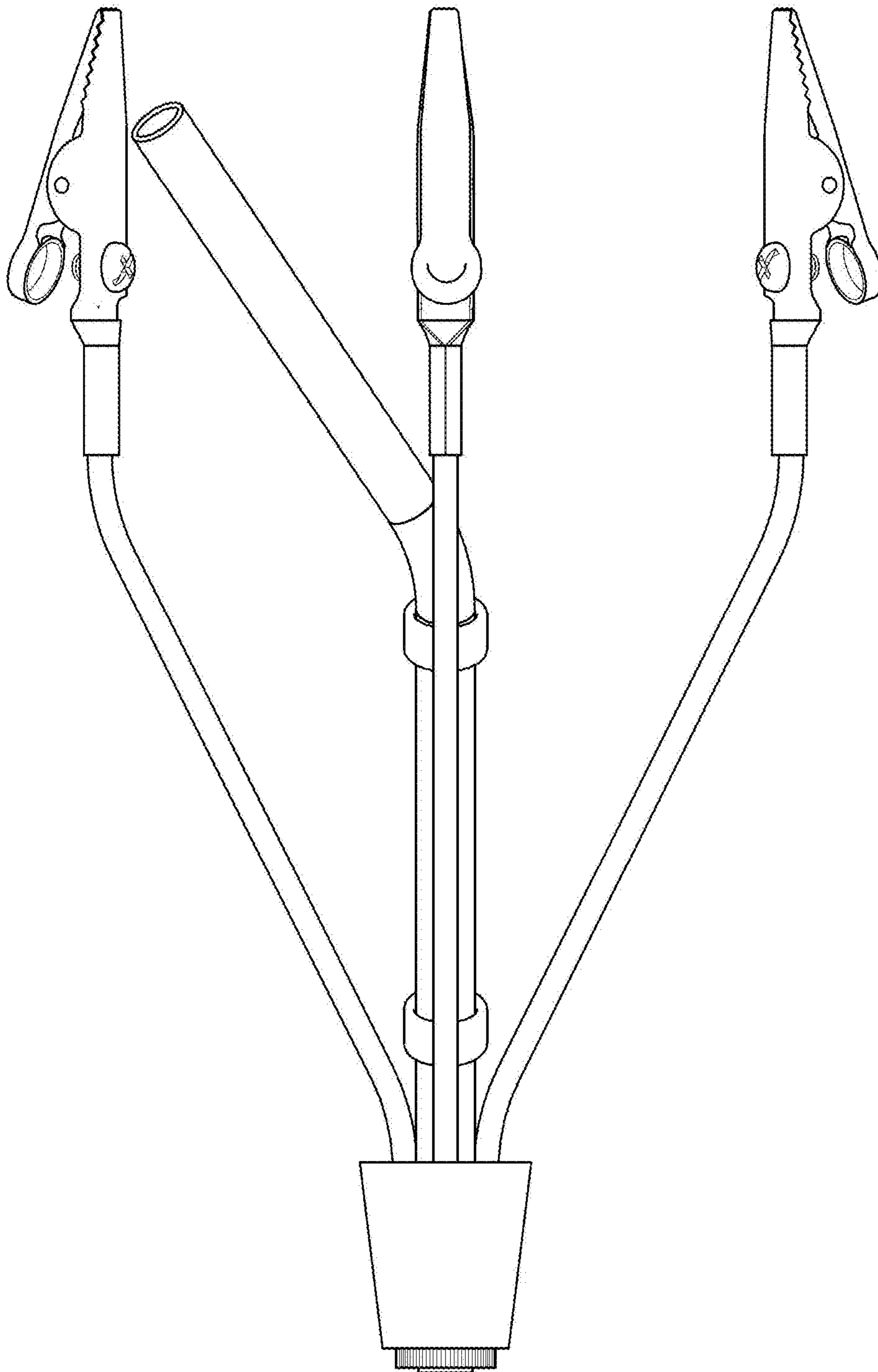


Fig. 5

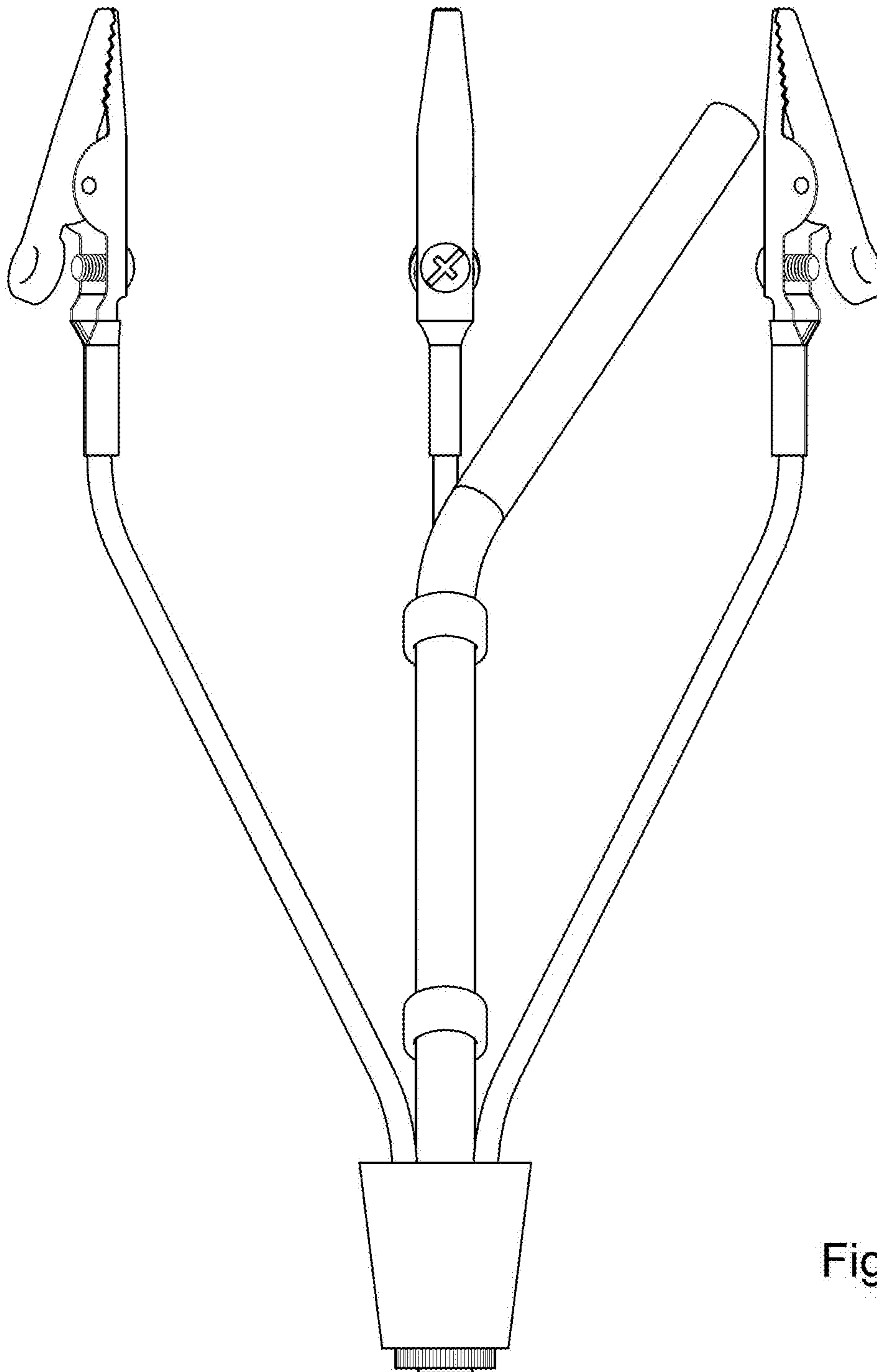


Fig. 6

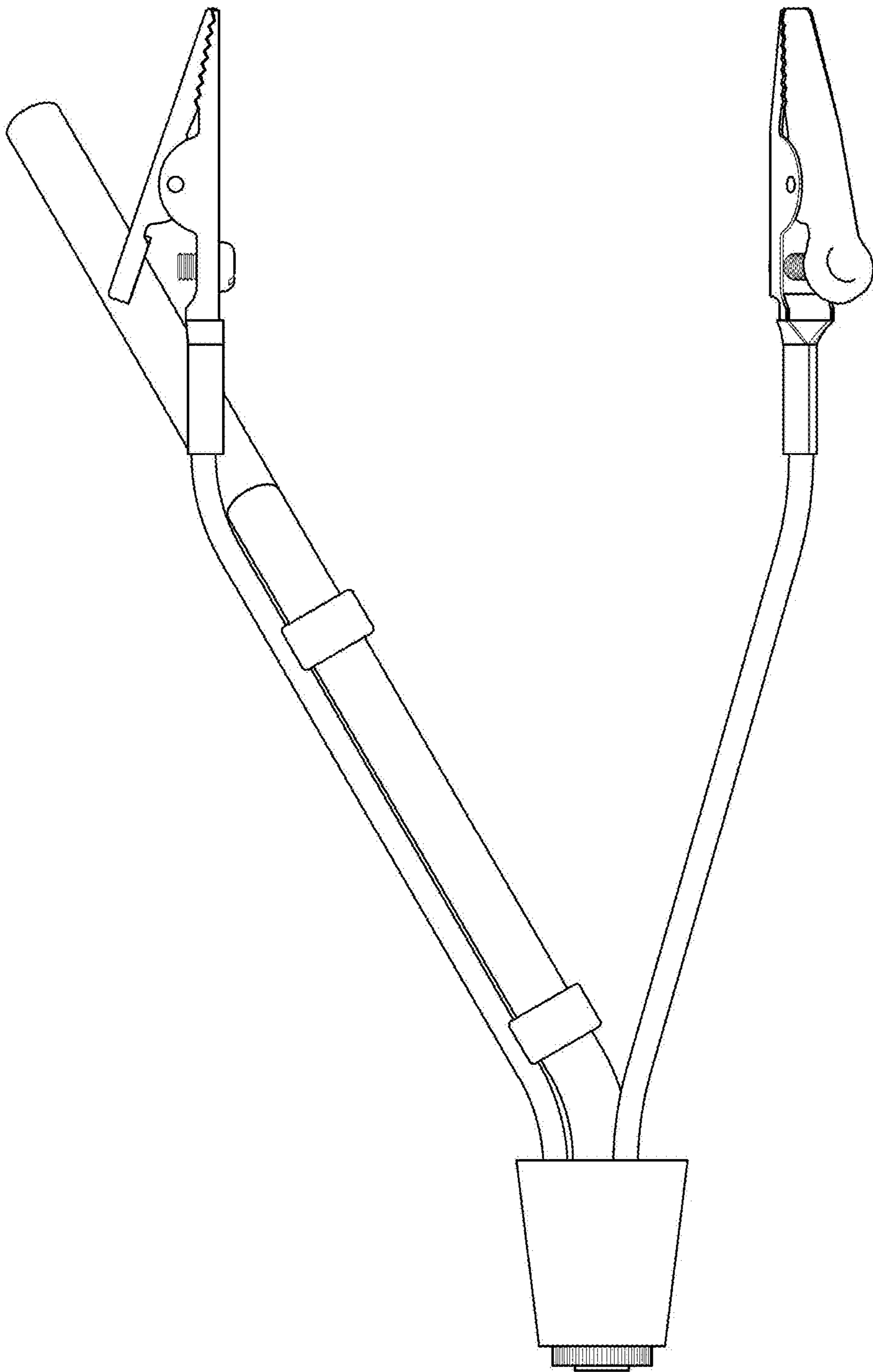


Fig. 7